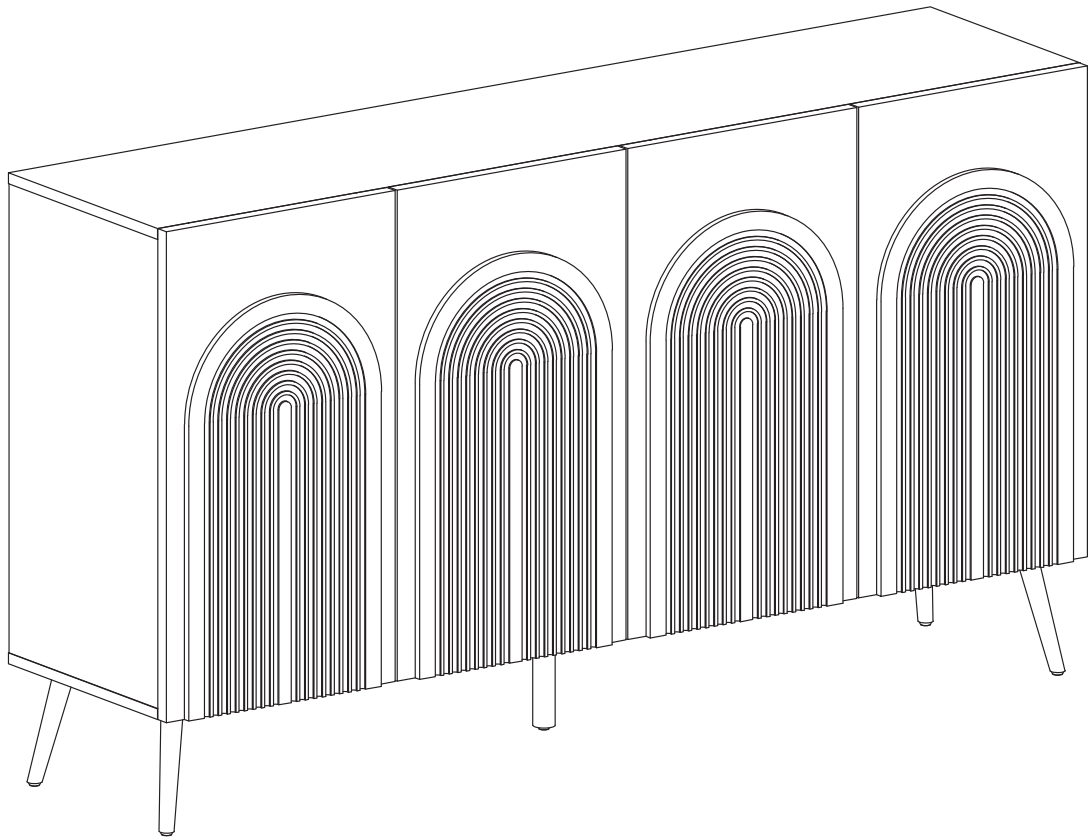


Installation Instruction



Product name

4 Door Sideboard

Ver.1.0 20240307

Friendly Reminder:

Assembling with damaged panels may affect after-sales service. Please check the integrity of all panels before assembly. If any damage is found:

Take photos of the damaged area from multiple angles (preferably under natural light)

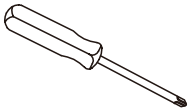
Keep all packaging materials

Do not assemble the product and contact online customer service immediately

Assembling

What you need

- Use the packaging carton as a working surface to prevent product damage during assembly
- Phillips head screwdriver



Weight Limitation



100 | **40**
lbs table top lbs per shelf

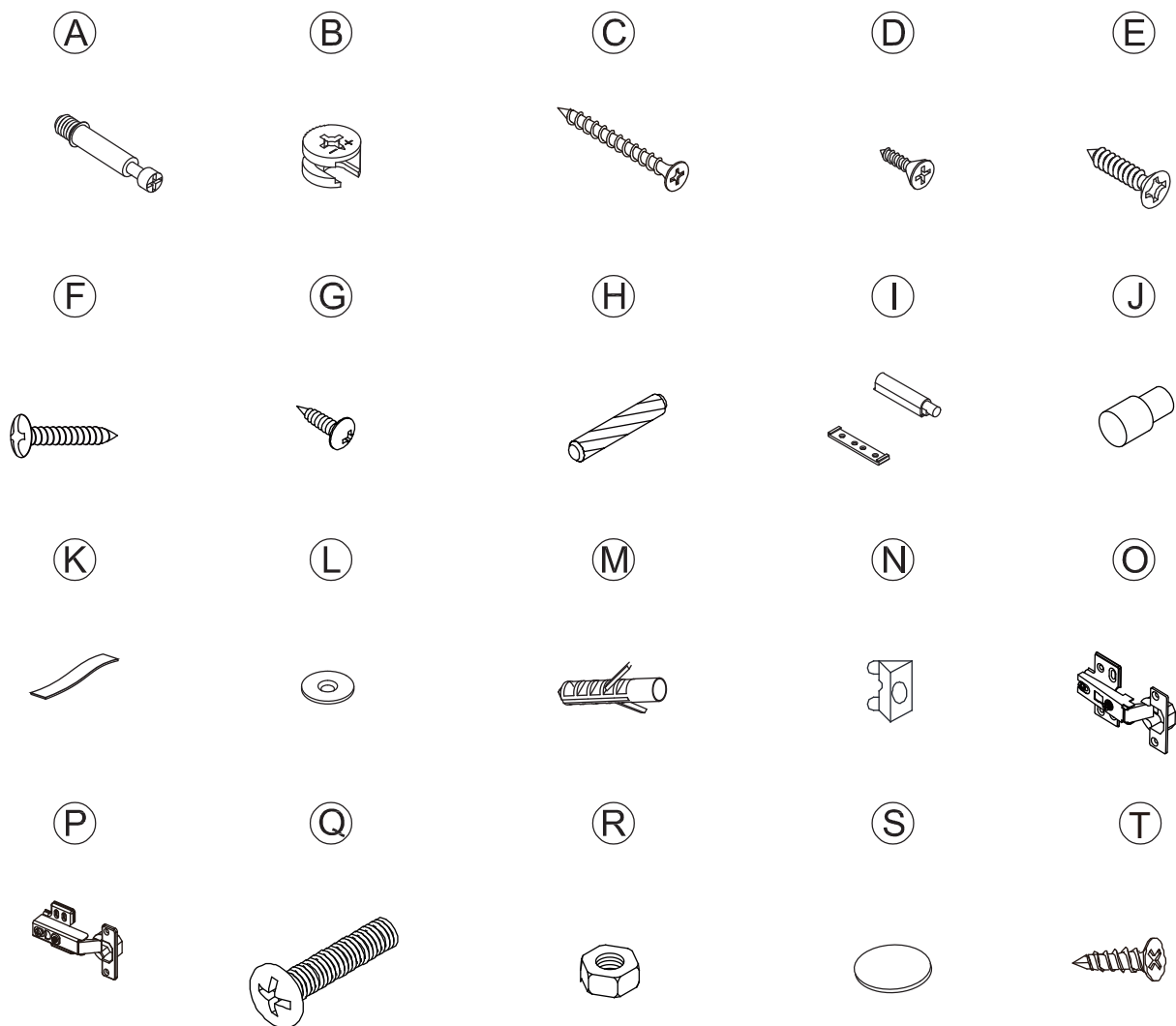


2 PERSONS

What's included

Code	Description	Qty
A	Cam Bolt M6X35MM	10
B	Cam Lock 15X10MM	10
C	Screw M4X35MM	10
D	Screw M3.5X12MM	48
E	Screw M3X14MM	16
F	Screw M4X40MM	2
G	Screw M4X14MM	2
H	Wooden Dowel M6X30MM	12
I	Door Rebound Device	4
J	Metal Support	8
K	Nylon Strap	2
L	Metal Washer	4
M	Anchor M6X30MM	2
N	Plastic corner support	16
O	Hinge	4
P	Hinge	4
Q	Bolt M6X20MM	18
R	Screw Nut	18
S	Cover Sticker	16
T	Screw M3X12MM	12

The Hardwares



IMPORTANT:

1. Do not tighten bolts / screws completely until all bolts / screws are lined up and inserted into holes.
2. Do not over tighten screws and bolts to avoid stripping.
3. Please use hand tools to assemble this product. Do not use power tools.
4. Must need 2 people to assemble this product.

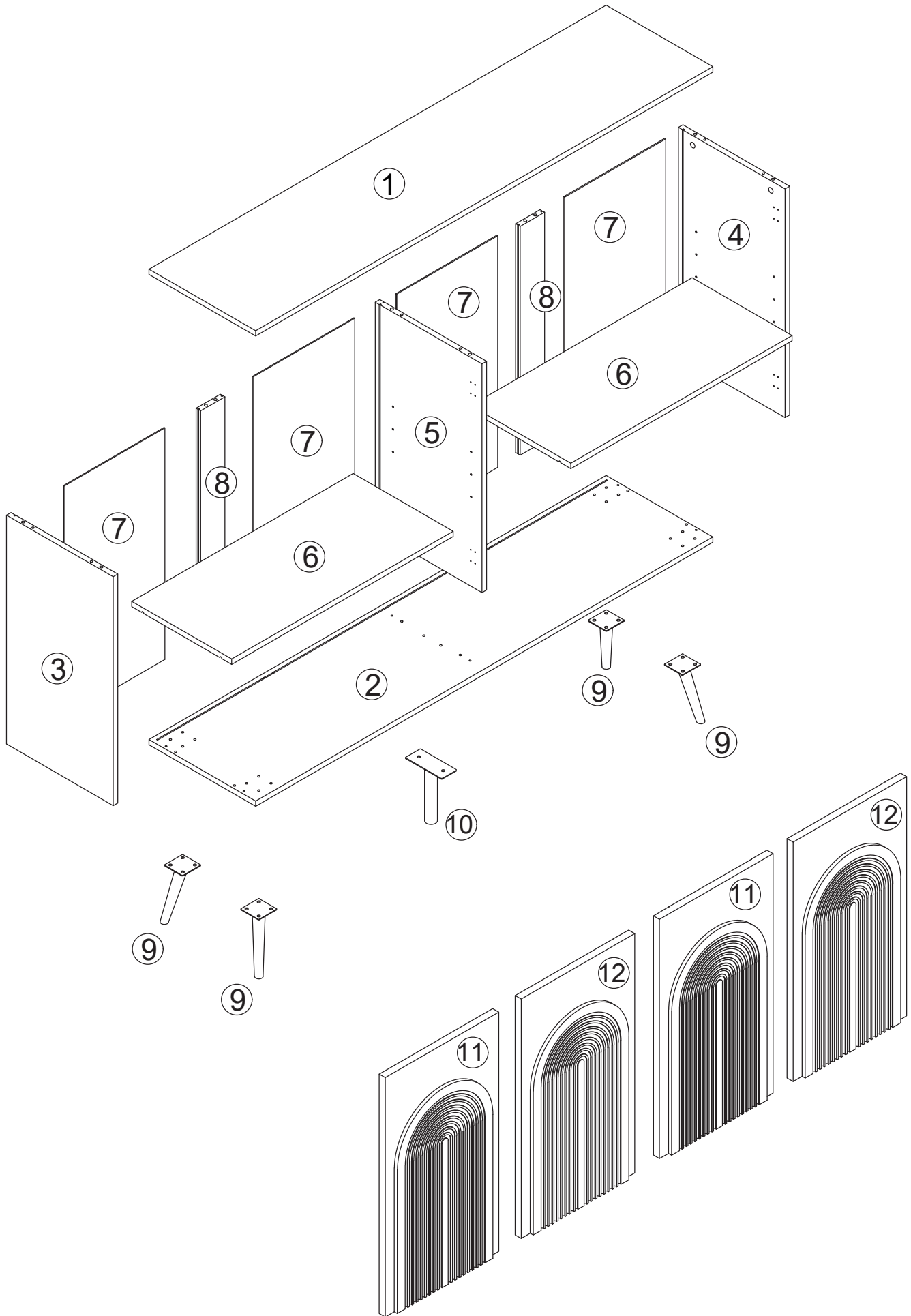


2 PERSONS

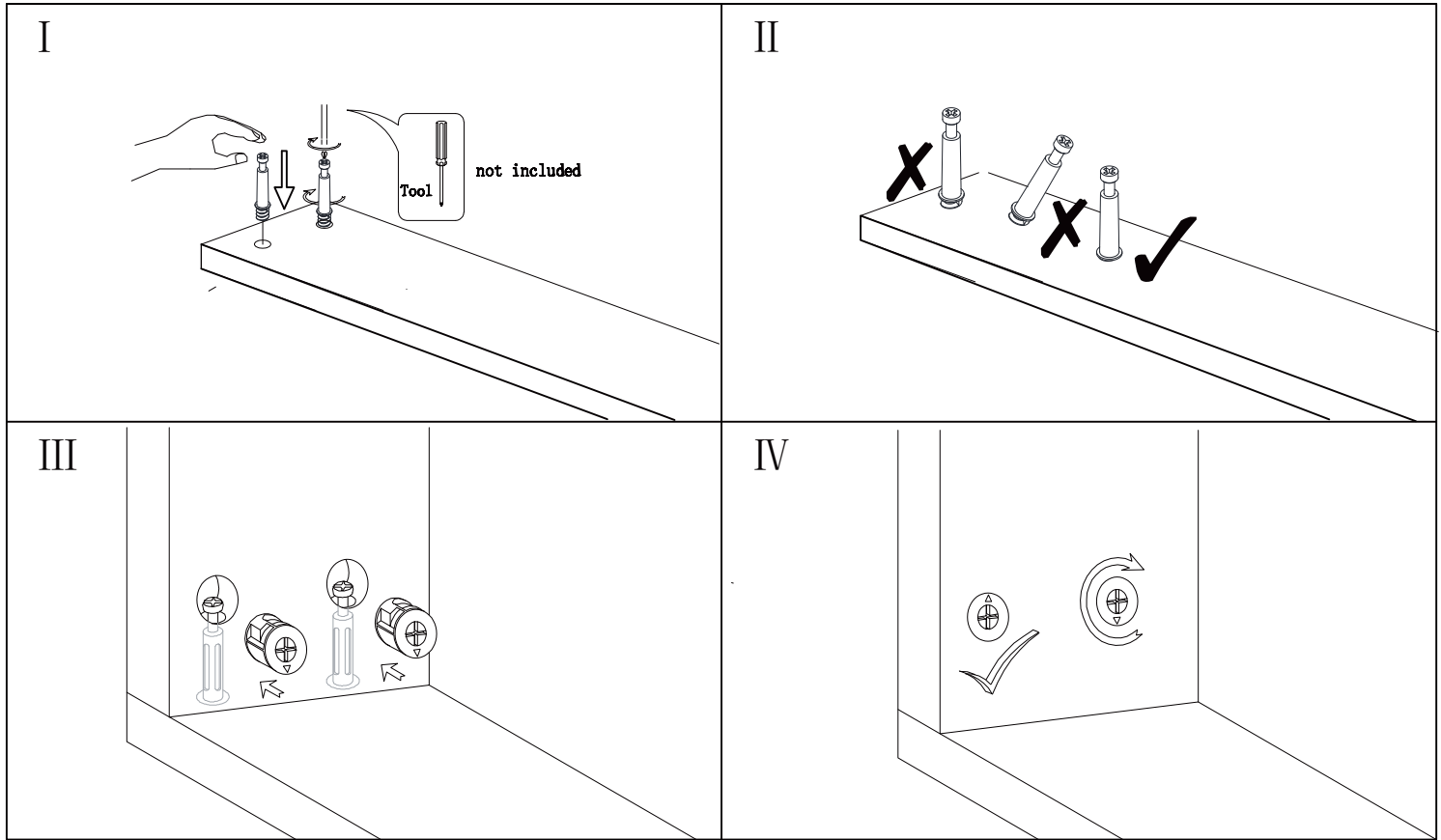
Included Accessories

Code	Description	Qty
1	Cabinet Top	1
2	Bottom Panel	1
3	Left Side Panel	1
4	Right Side Panel	1
5	Middle Division Panel	1
6	Shelf	2
7	Back Panel	4
8	Vertical Back Stretcher	2
9	Feet	4
10	Middle Feet	1
11	Door	2
12	Door	2

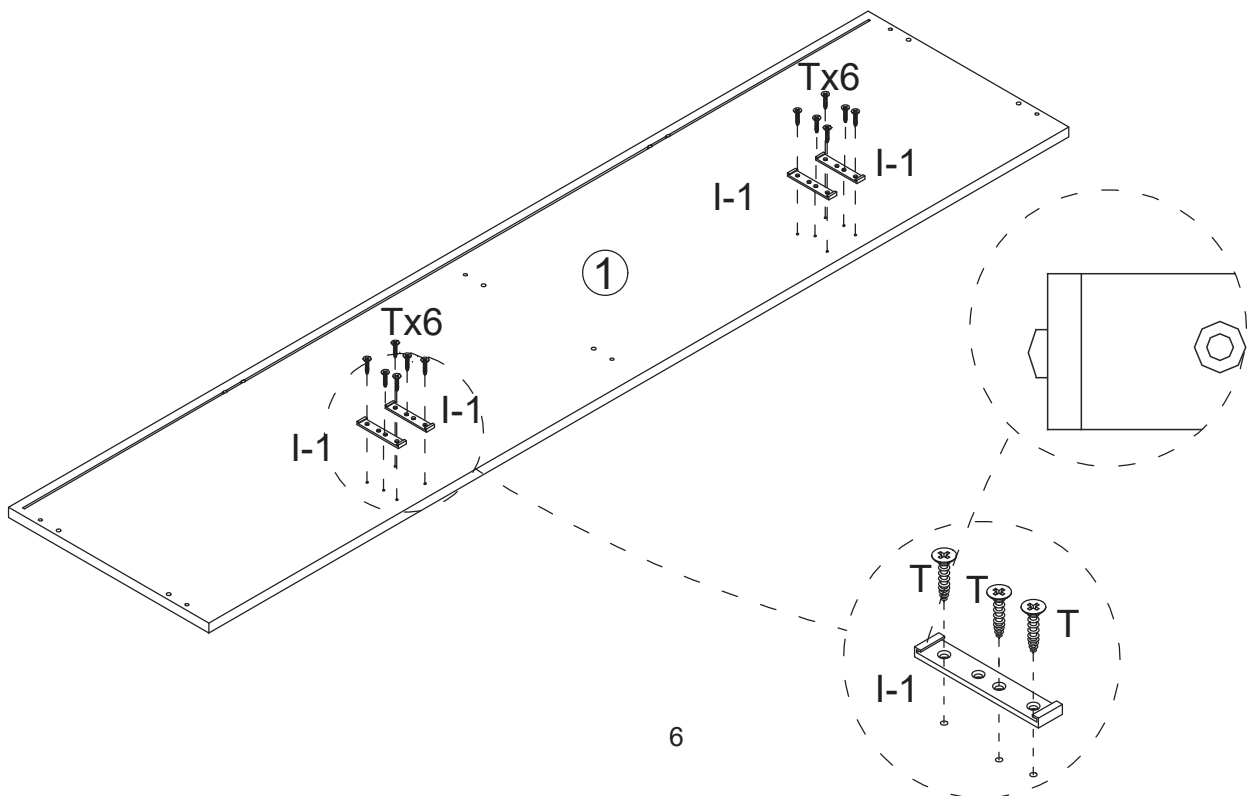
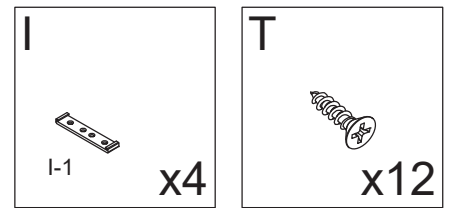
The Accessories



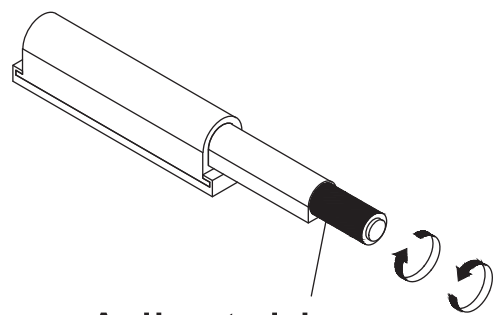
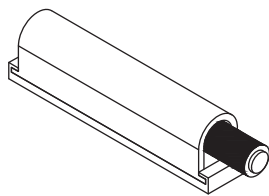
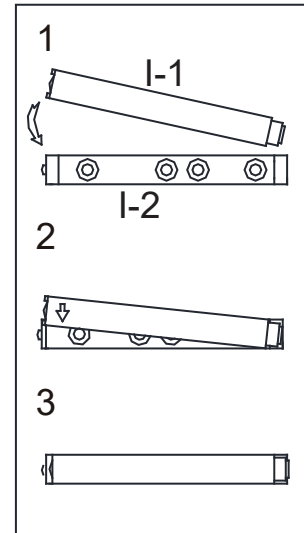
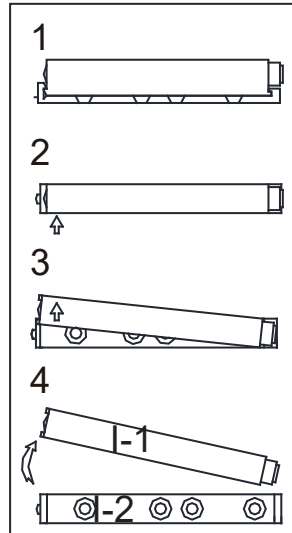
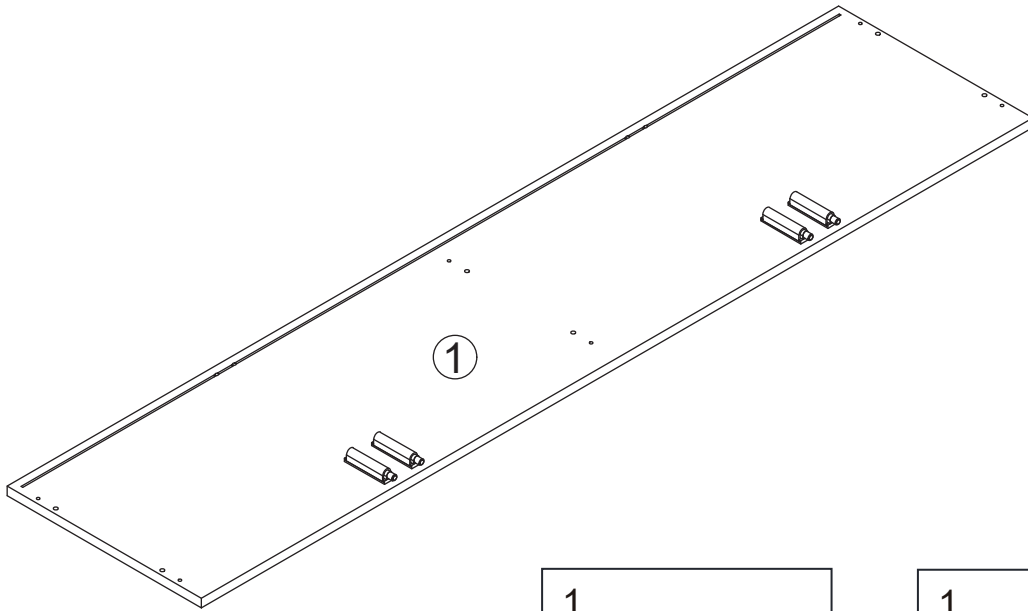
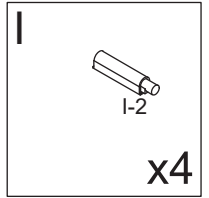
Noted :



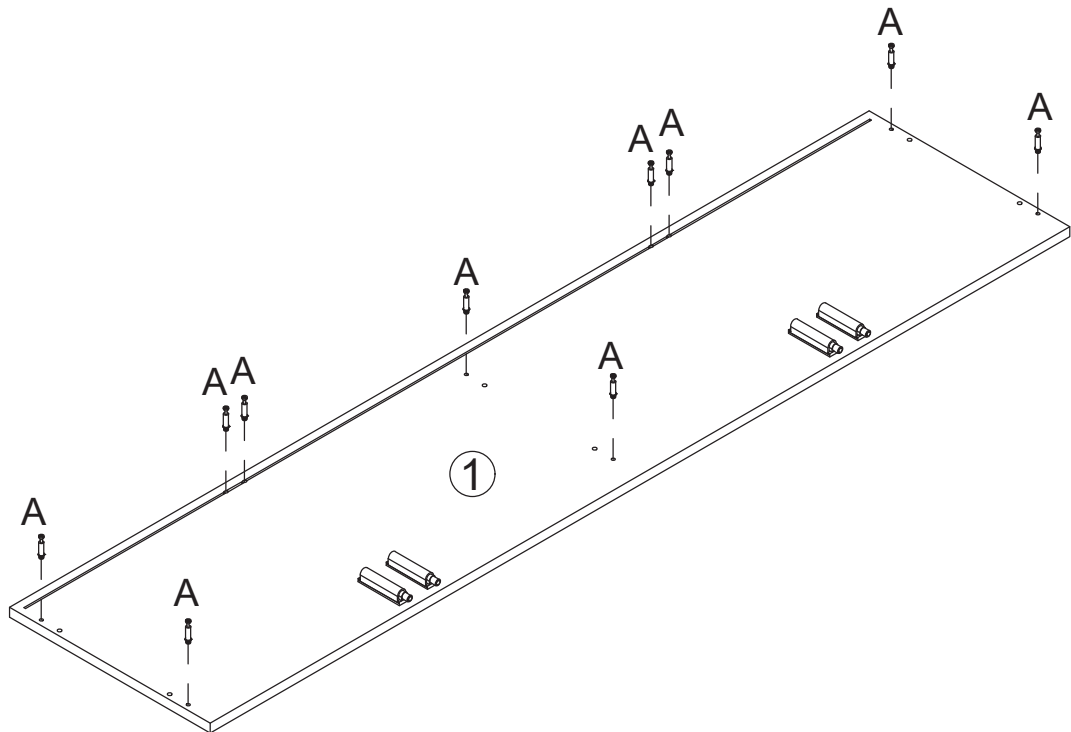
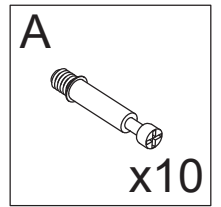
STEP 1



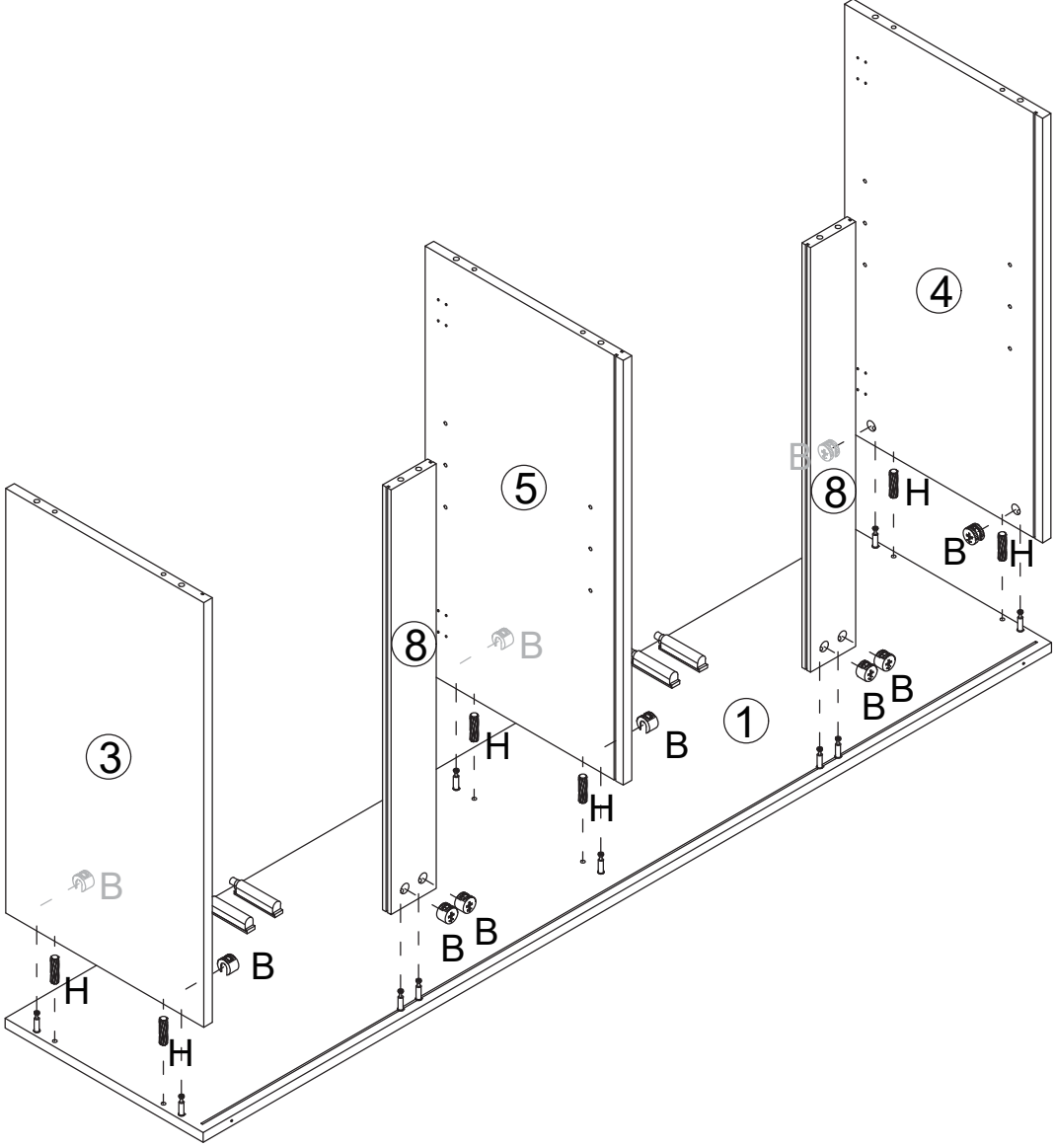
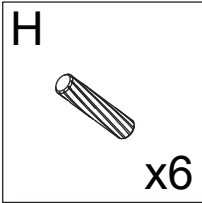
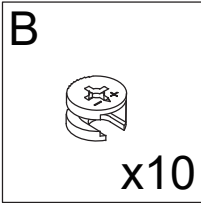
STEP 2



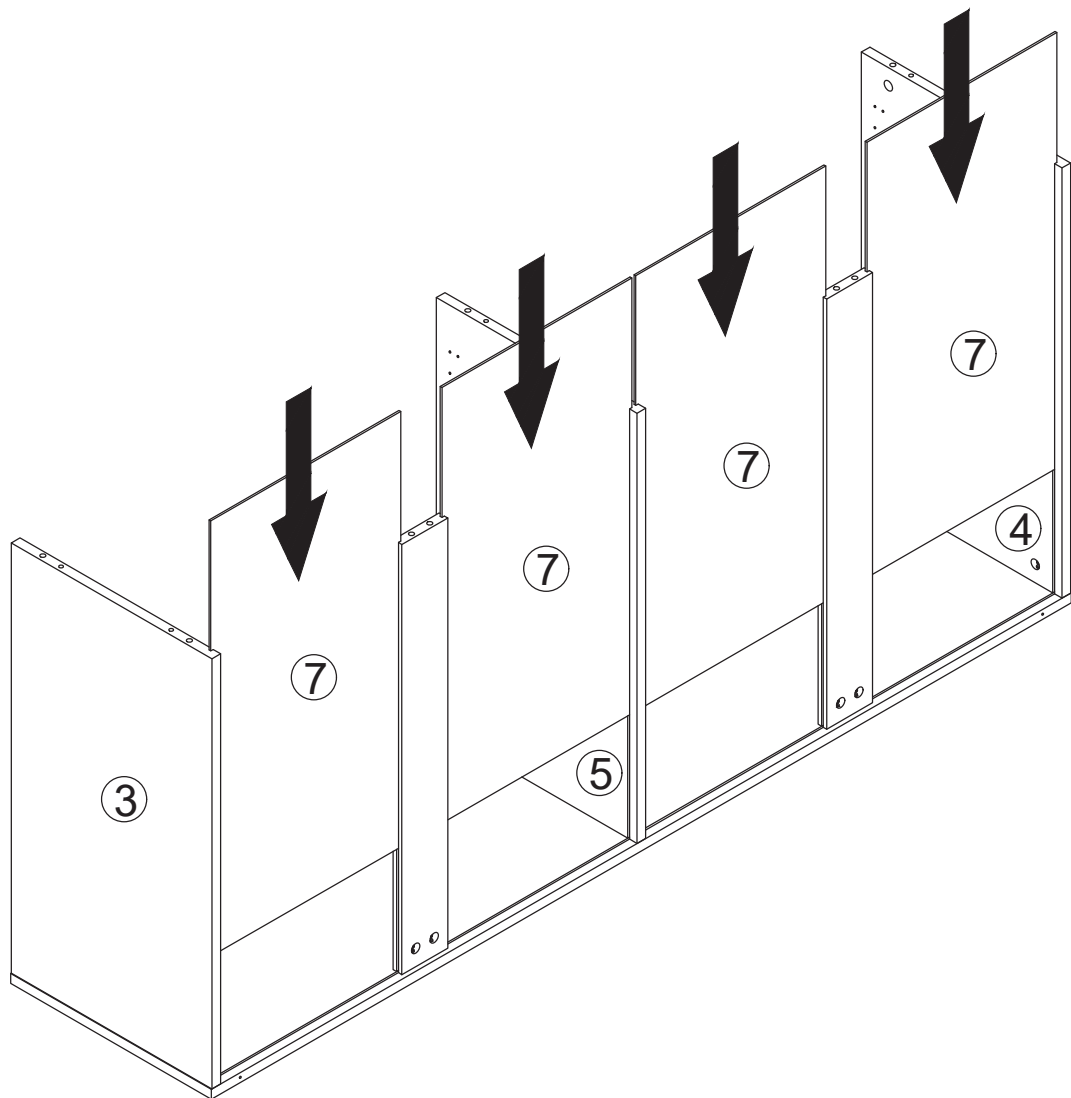
STEP 3



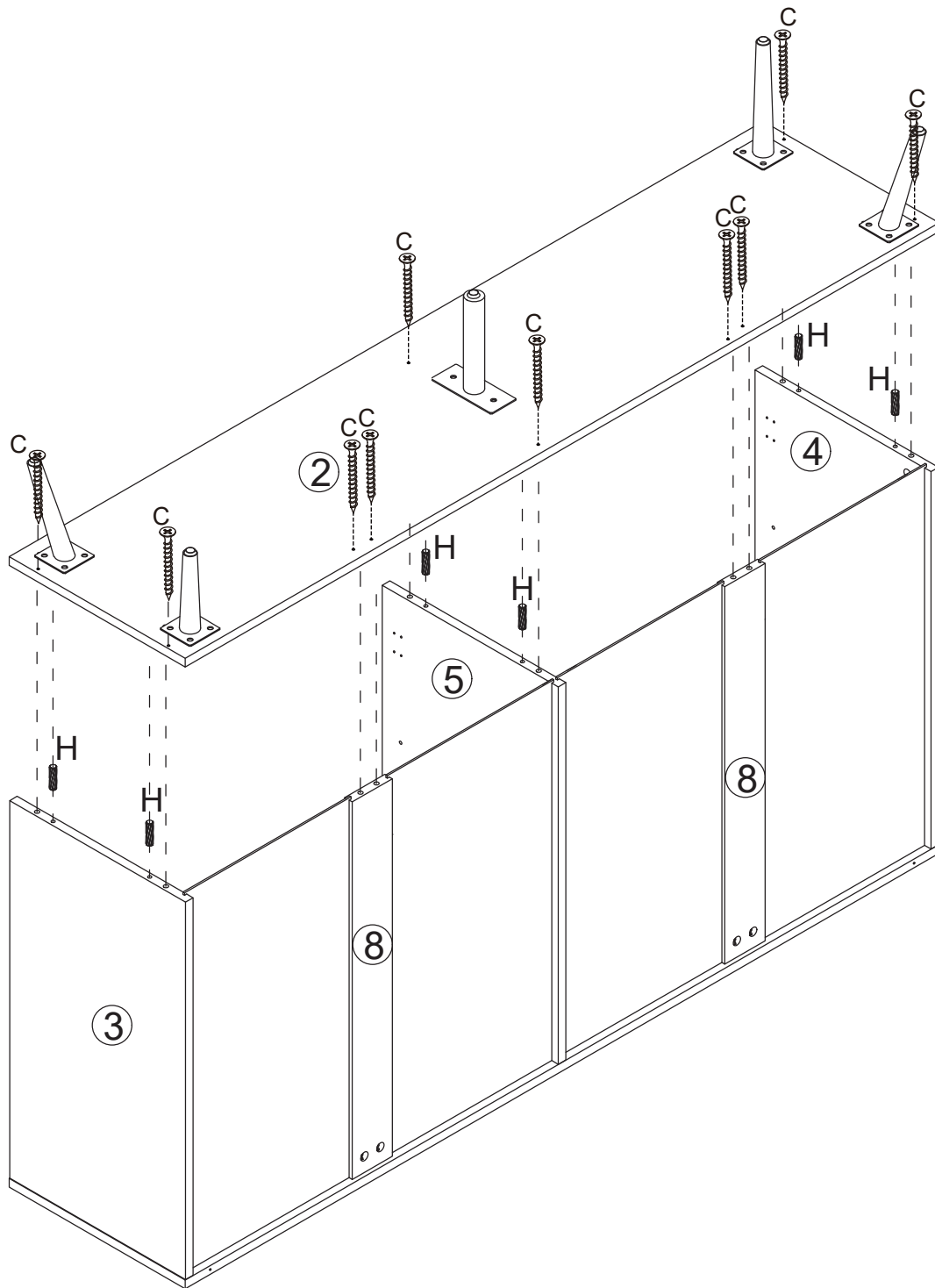
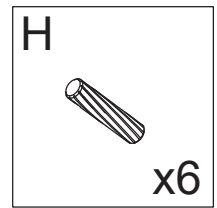
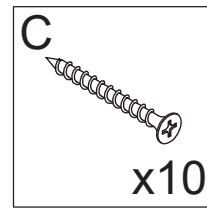
STEP 6



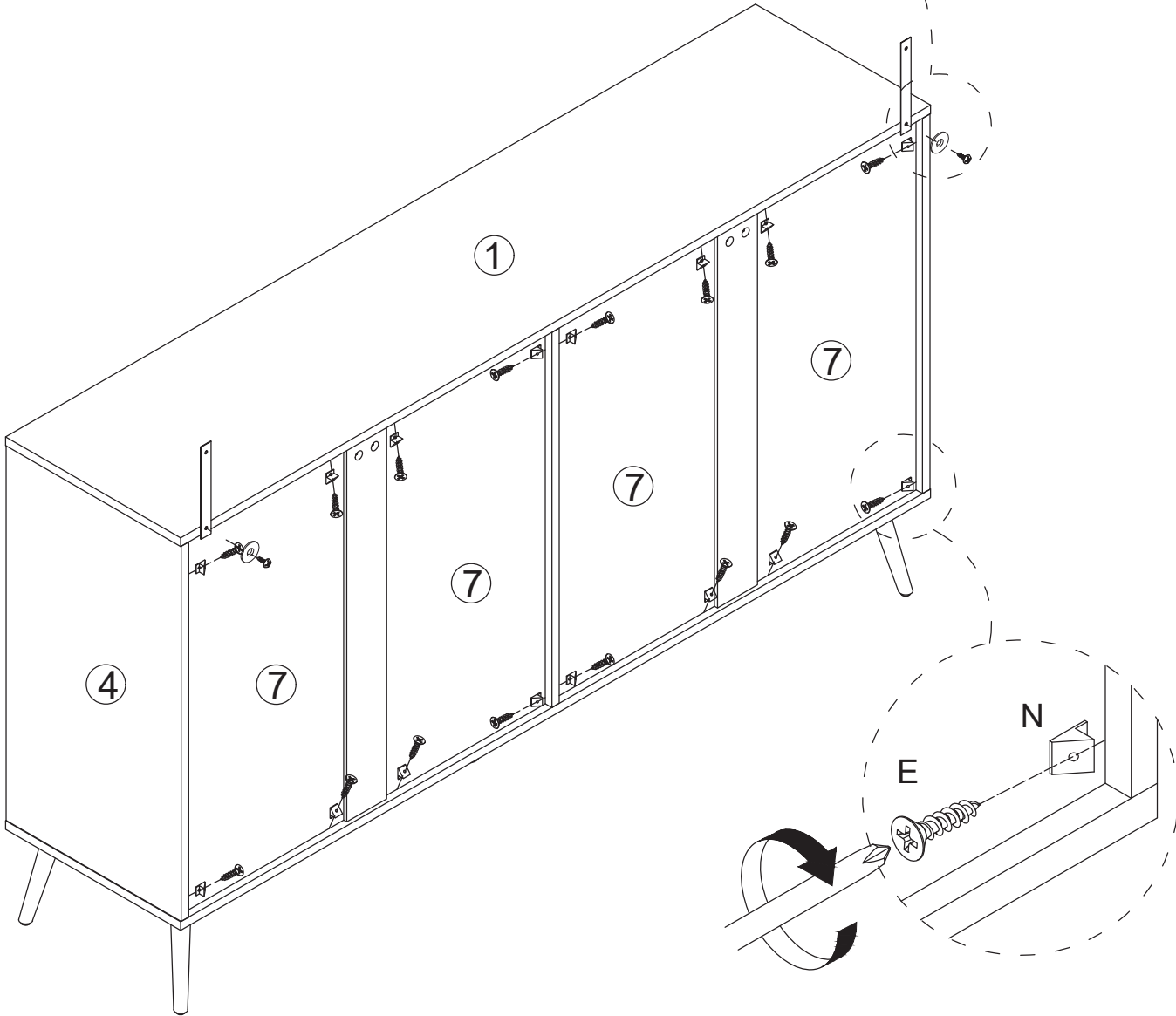
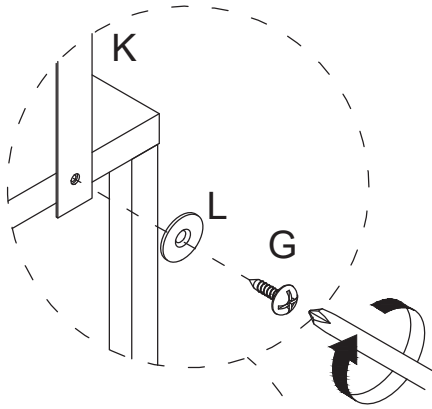
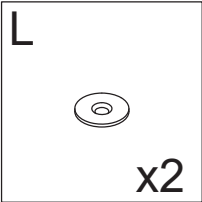
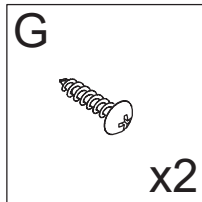
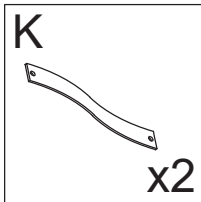
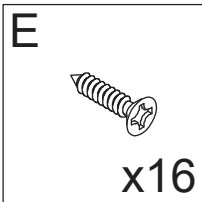
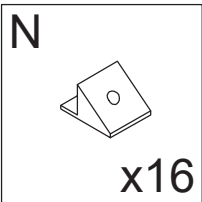
STEP 7



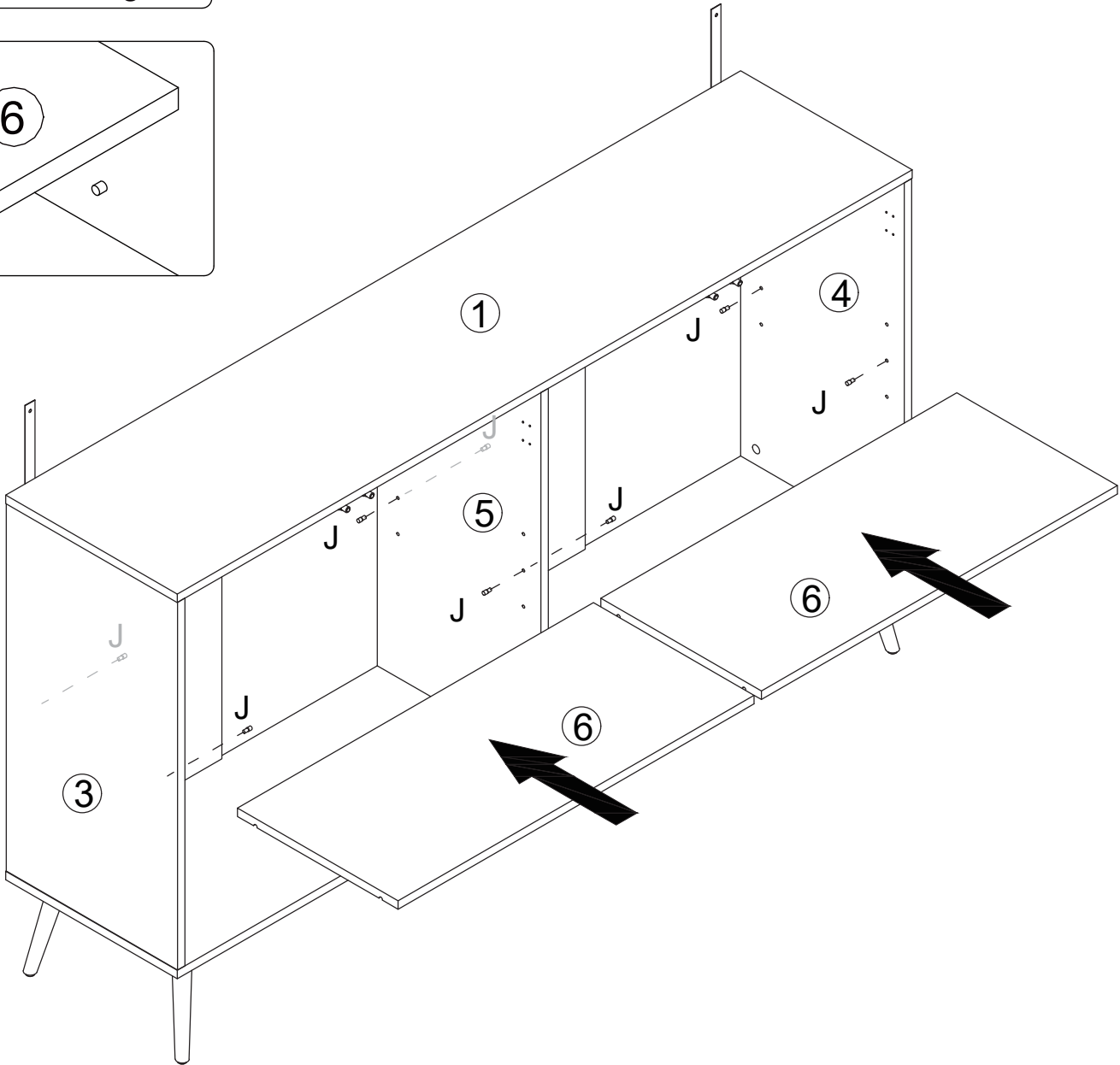
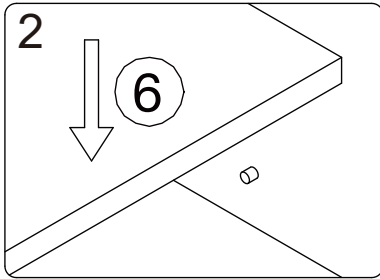
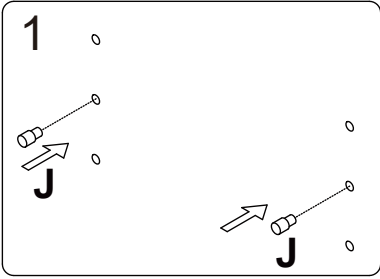
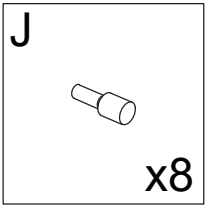
STEP 8



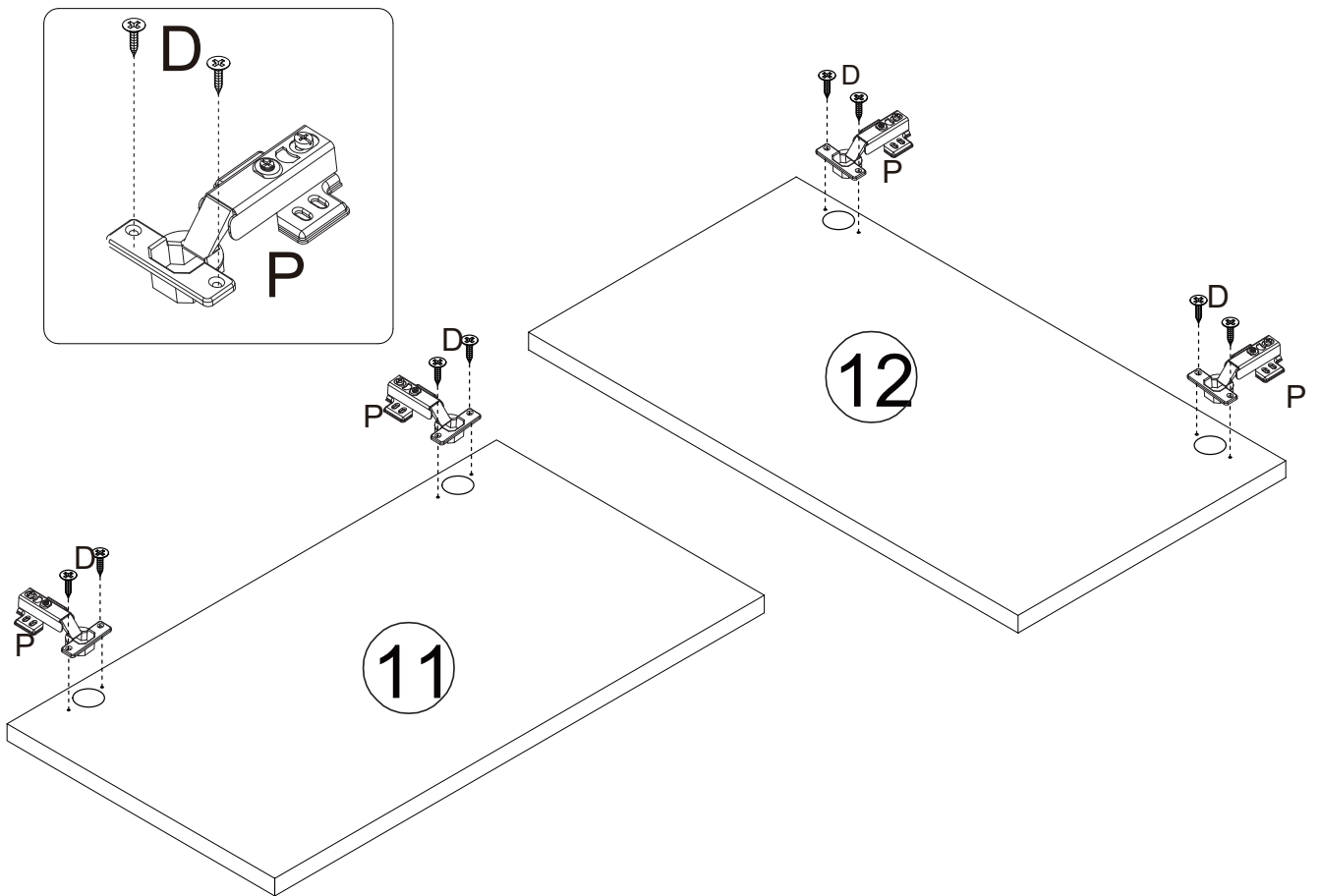
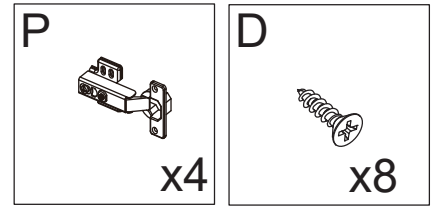
STEP 9



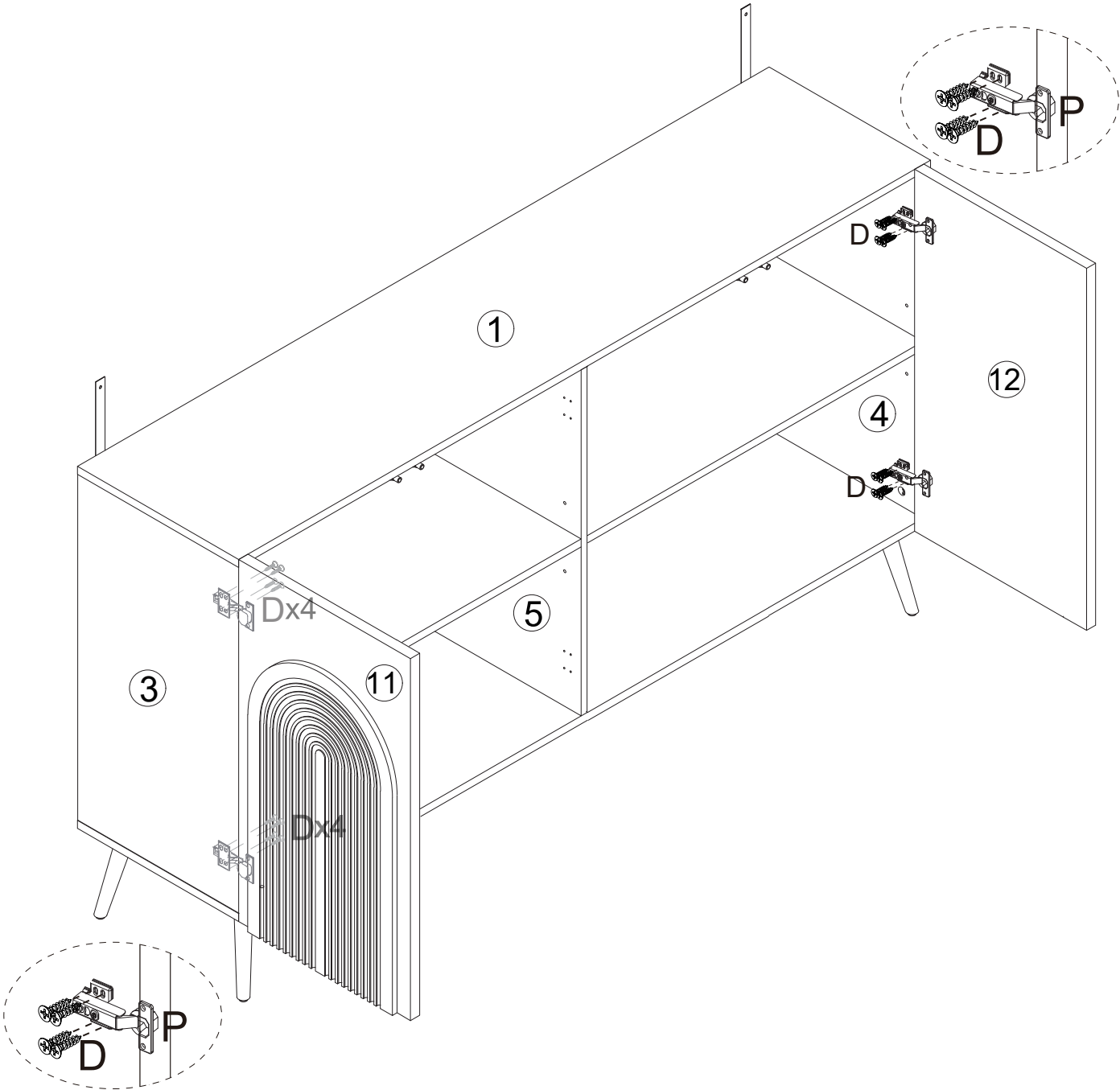
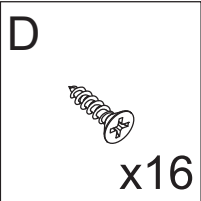
STEP 10



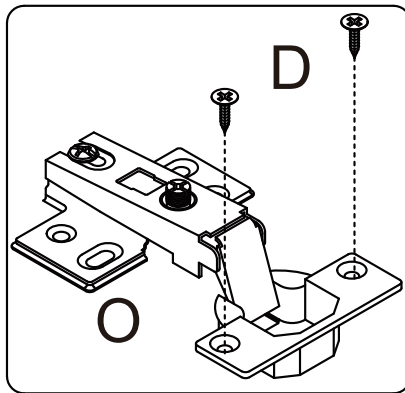
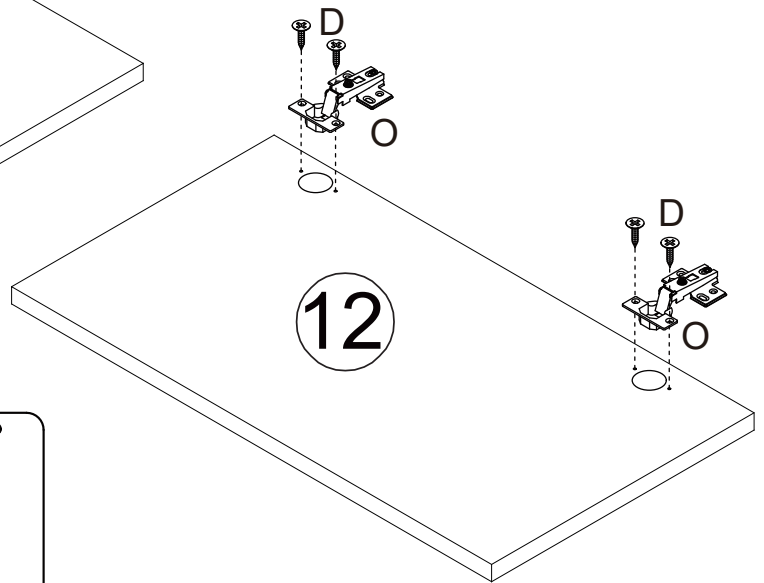
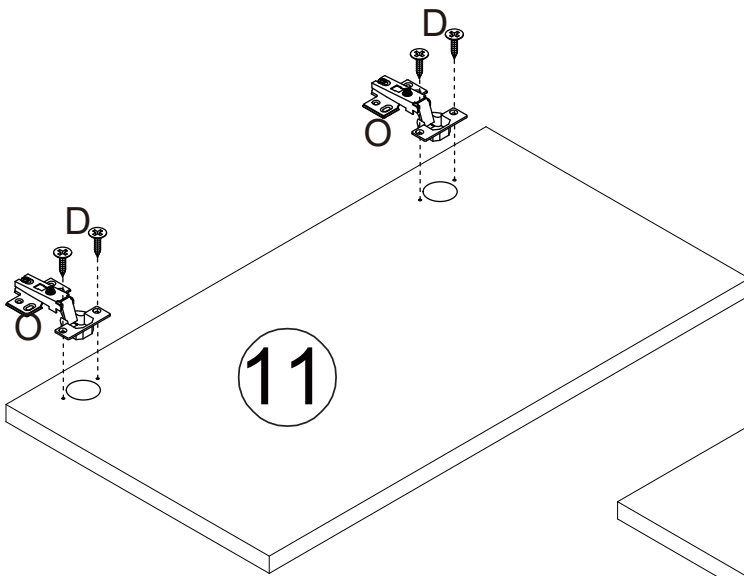
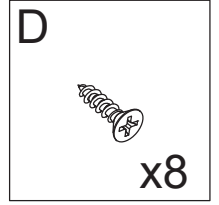
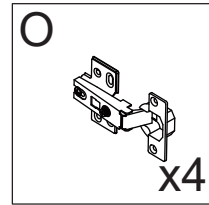
STEP 11



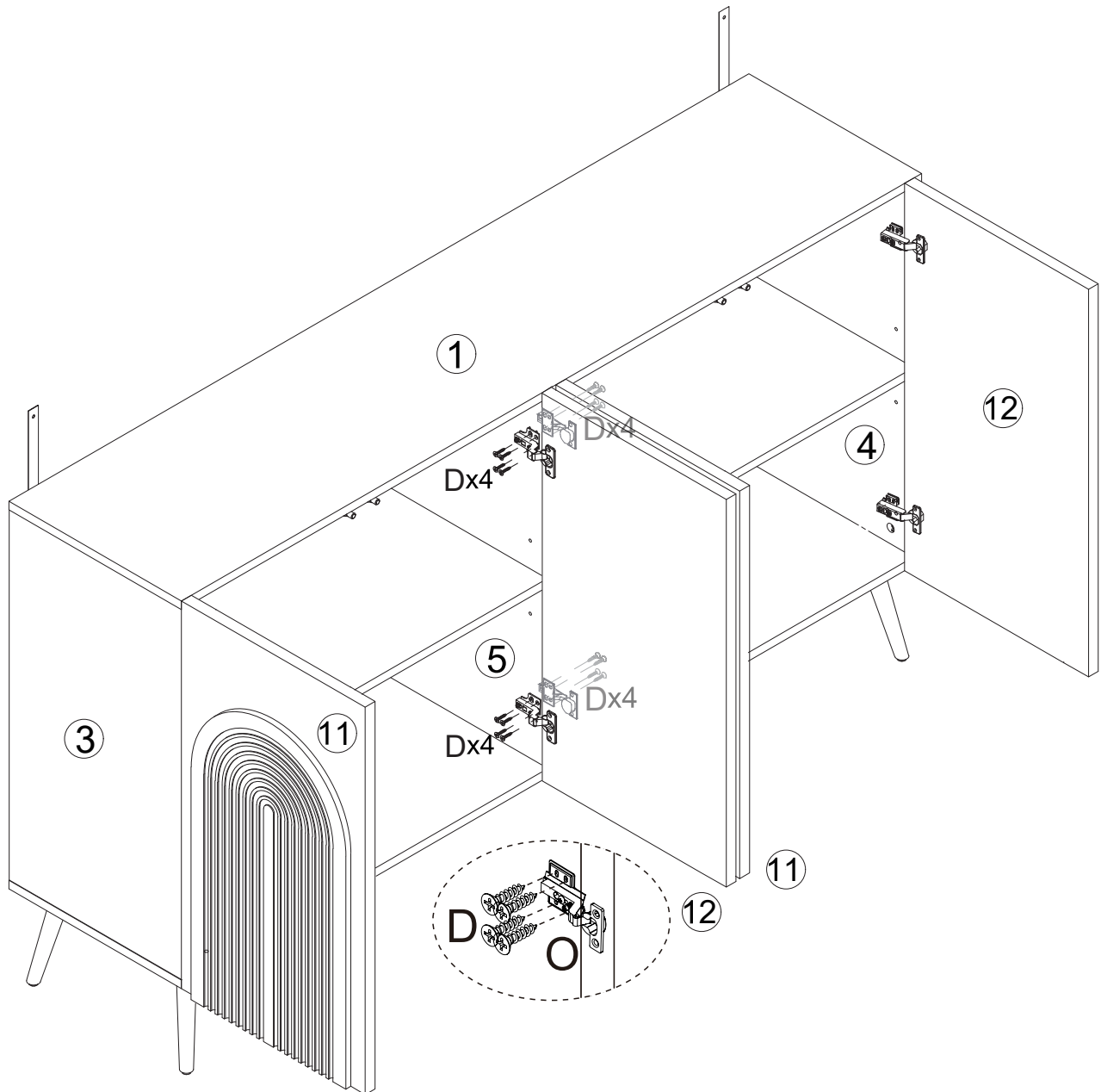
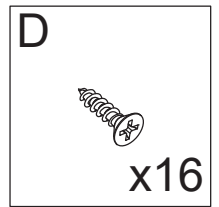
STEP 12



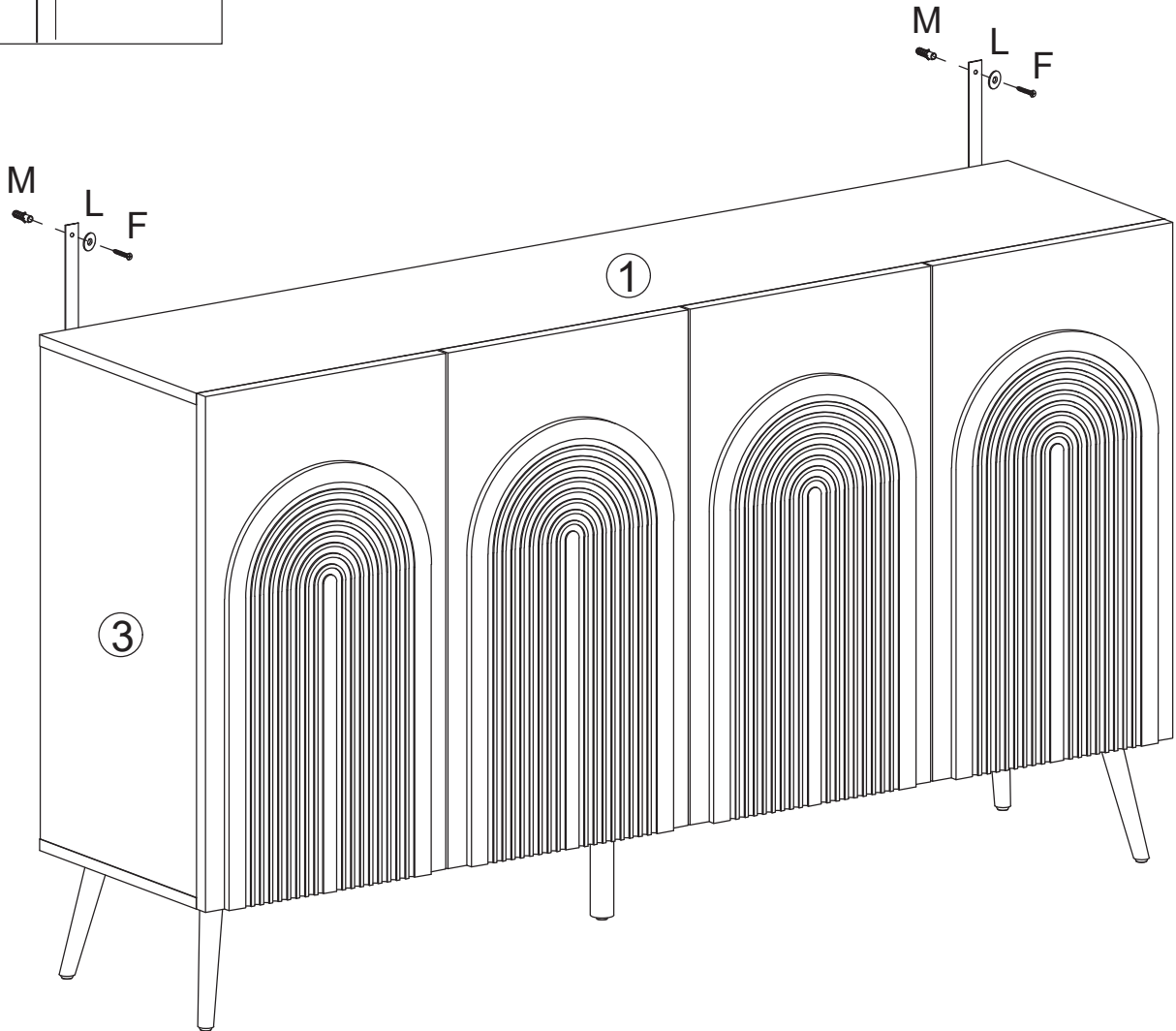
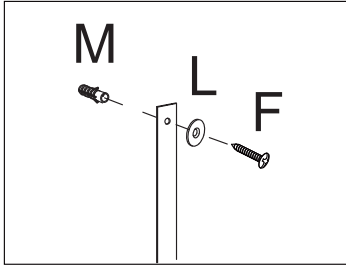
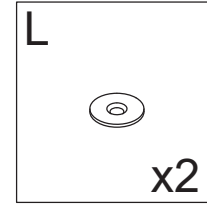
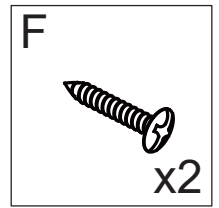
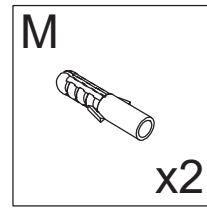
STEP 13



STEP 14



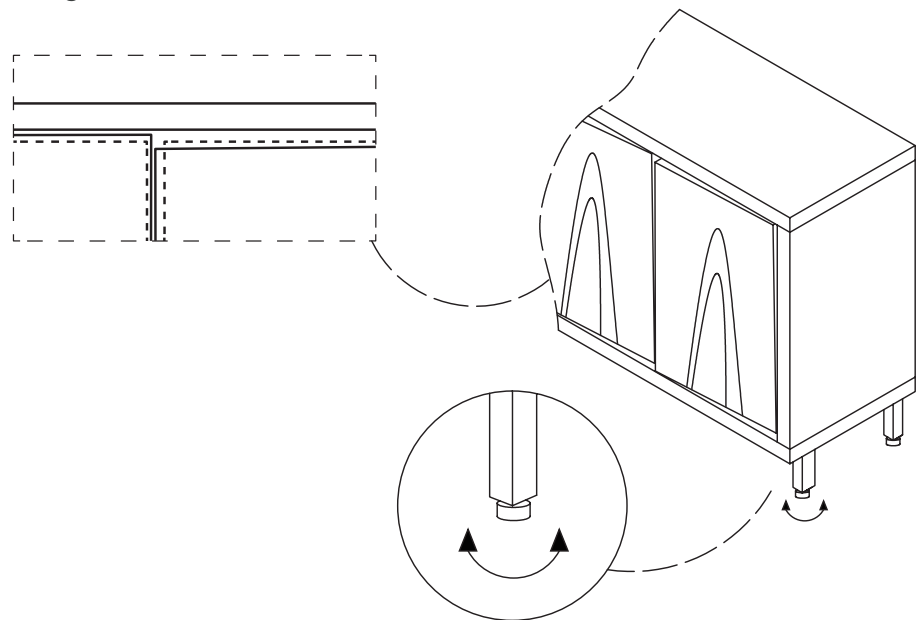
STEP 15



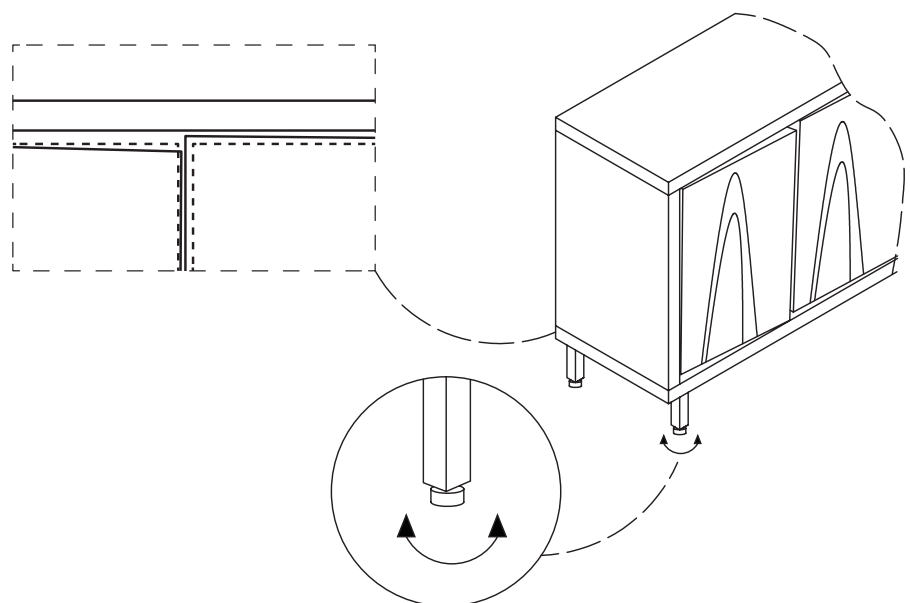
Is your cabinet door looking crooked or unevenly spaced? (Cont.)

If you're still having trouble lining everything up, your next step should be to try to adjust the feet slightly to square up the cabinet & doors. Follow the illustrations below:

If the right door appears to be hanging low, you can adjust the adjustable leveler on the front right until the door is better aligned.



If the left door appears to be hanging low, you can adjust the adjustable leveler on the front left until the door is better aligned.



Proper Use

- DO NOT** use for commercial purposes
- DO NOT** use as a step stool or stand on table
- DO NOT** put hot serving liquid directly on the table top
- DO NOT** leave spilled liquid on the table top
- DO NOT** use table if damaged
- DO NOT** exceed weight limit
- DO NOT** make temporary repairs
- DO NOT** use outdoor

Dear Customer:

Thank you for purchasing our product,we wish you satisfy our service,if you have any further questions or any quality issues,please show the belows number and don't hesitate to contact our Customer Service People:

W688202507