

## **Warranty**

This office chair comes with a 1- year warranty from the date of purchase. In circumstance event that the product arrives damaged or missing parts.

We are more than happy to provide you with replacement part.

## **Warm Tips**

Please read the instructions carefully before assembly and make sure you have the parts & hardware as identified on the list.

It is highly recommended to assemble the chair on a soft clean surface to avoid scratches.

# Ergonomic Mesh Office Chair



# PARTS LIST

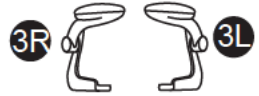
**1** Backrest



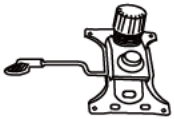
**2** Seat Cushion



**3** Armrest



**4** Mechanism



**5** Gaslift



**6** Castors



**7** Base










**8** Base Legs



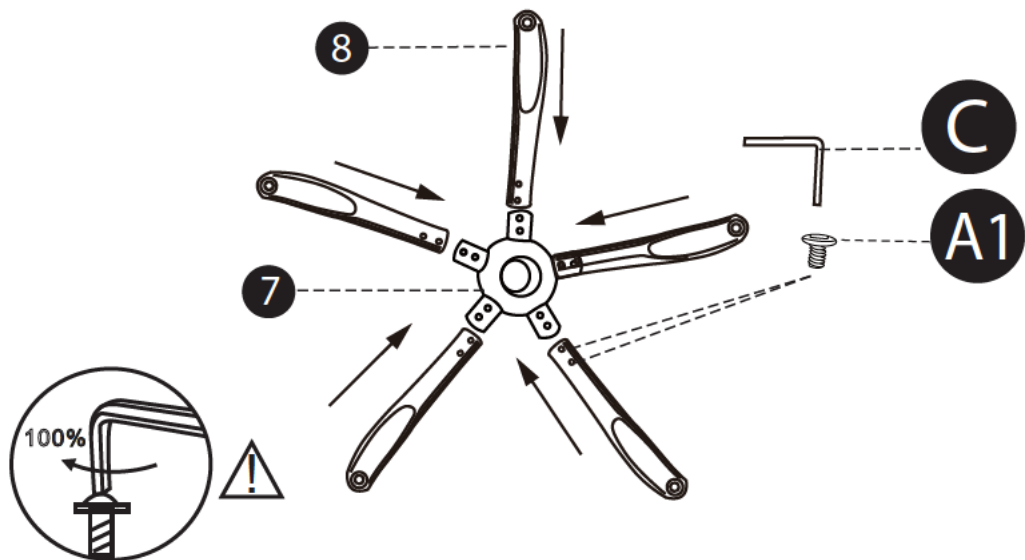
**9** Headrest



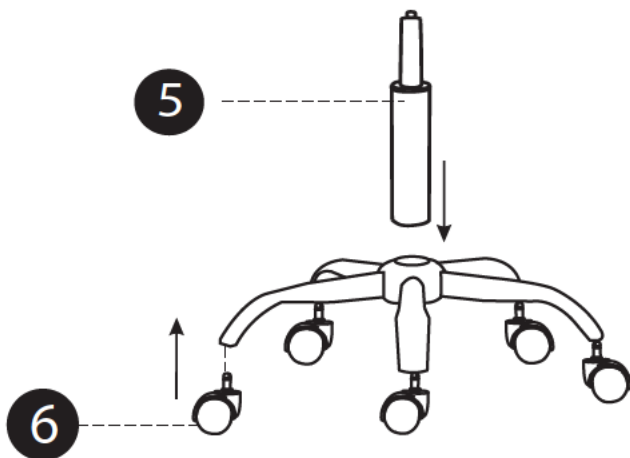
## Hardware Kit

<b>A1</b>	Small Bolts(12mm)		10
<b>A2</b>	Small Bolts(30mm)		4
<b>A3</b>	Big Bolts(30mm)		4
<b>A4</b>	Big Bolts(20mm)		4
<b>A5</b>	Small Bolts(20mm)		2
<b>B</b>	Plastic Caps		6
<b>C</b>	Allen Key		1

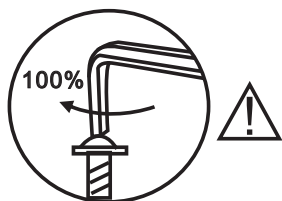
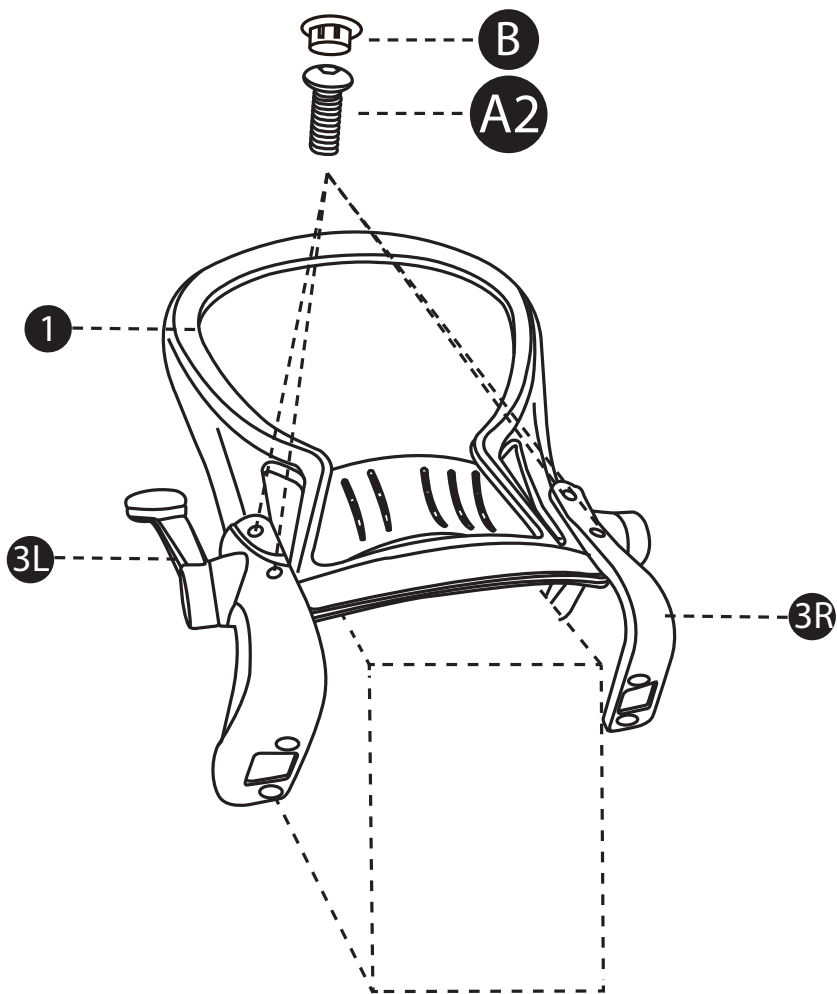
## Step 1:



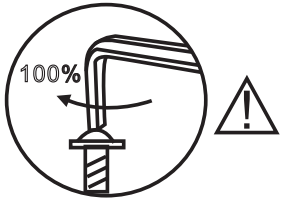
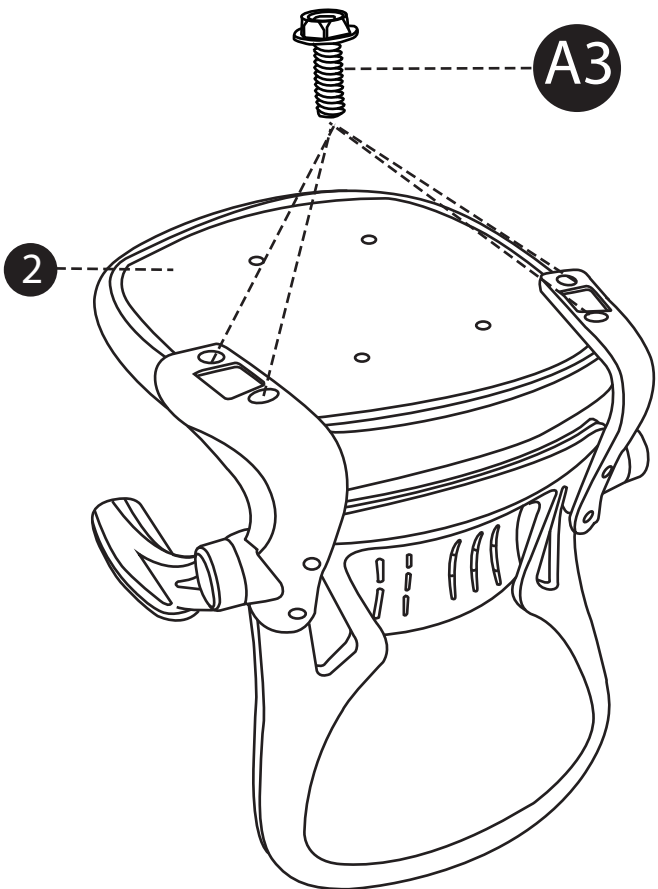
## Step 2:



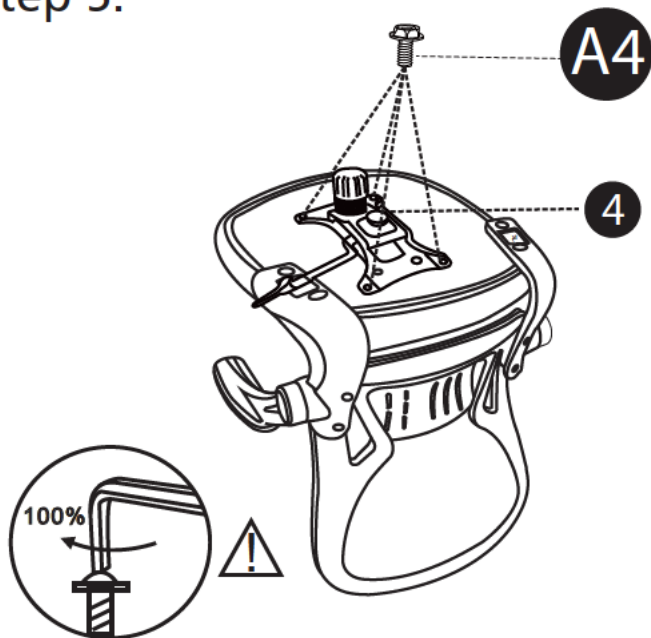
# Step 3:



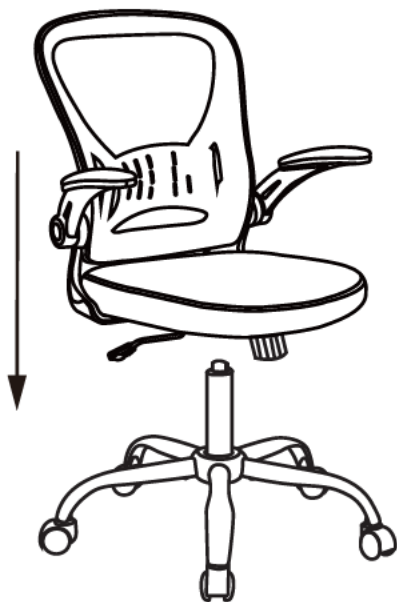
Step 4:



## Step 5:



## Step 6:



## Step 7:

