
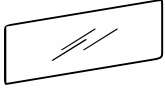
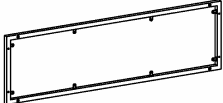
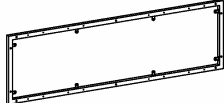




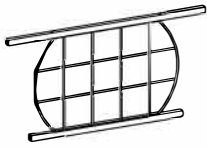





ASSEMBLY INSTRUCTION








BAR CART

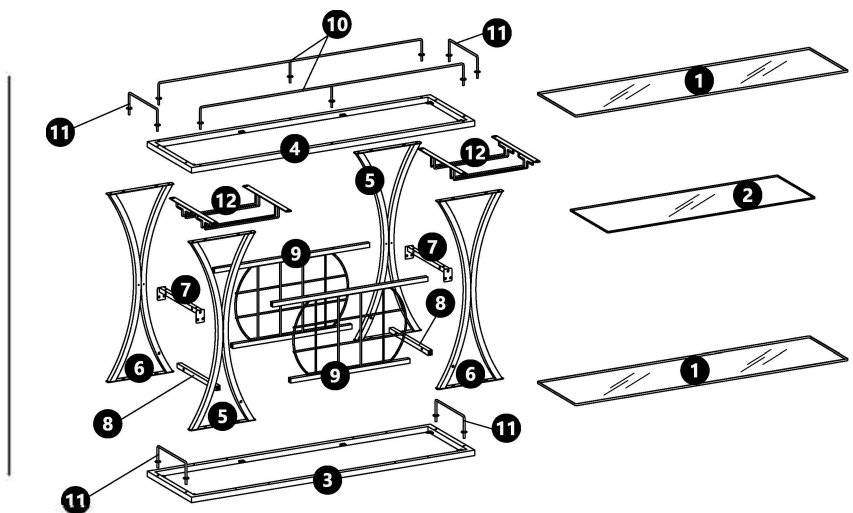
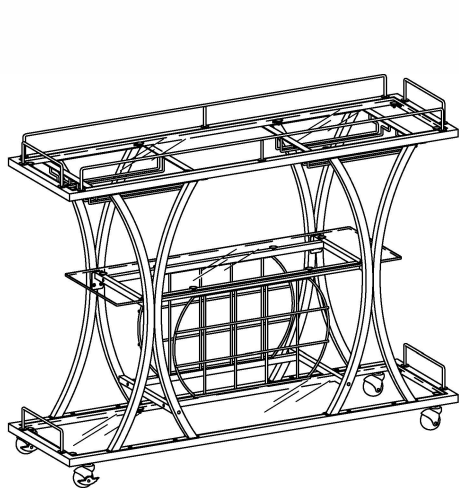
1. Extra Screws of A/B/C are provided in case of any screws missing in the boxes.
2. Please take the time to identify and count all parts as well as the hardware to this product.

PART LIST

					
① × 2PCS	② × 1PC	③ × 1PC	④ × 1PC	⑤ × 2PCS	⑥ × 2PCS
					
⑦ × 2PCS	⑧ × 2PCS	⑨ × 2PCS	⑩ × 2PCS	⑪ × 4PCS	⑫ × 2PCS

HARDWARE

						
M6×15mm	M6×40mm		Caster with Lock	Caster	4mm	Wrench
A×32PCS	B×12PCS	C×24PCS	D×2PCS	E×2PCS	F×1PC	G×1PC



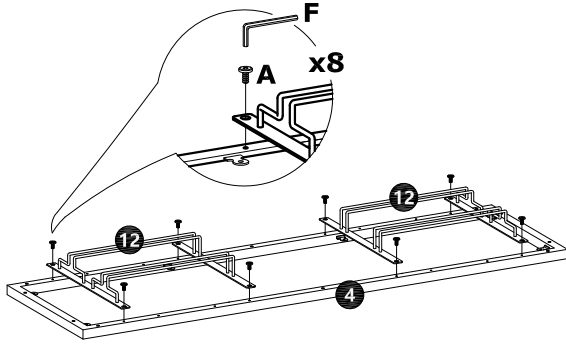
NOTED:

1. It is recommended that this item should be assembled by two adults.
2. Assemble this item on a soft surface, such as cardboard or carpet, to protect finish.

THANK YOU FOR PURCHASING OUR FURNITURE, IT IS AN HONOR TO BE IN YOUR HOME!

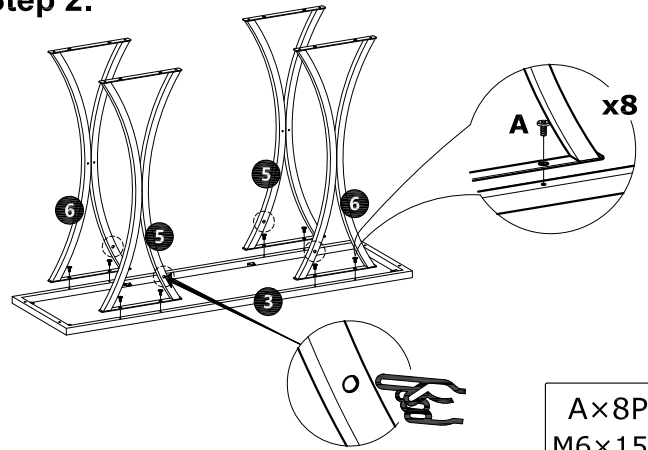
NOTED: Please do not tighten all bolts until the products is assembled completely.

Step 1:



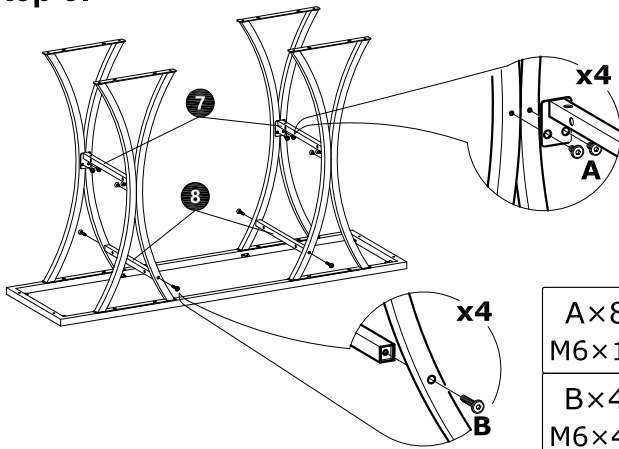
A×8PCS
M6×15mm

Step 2:



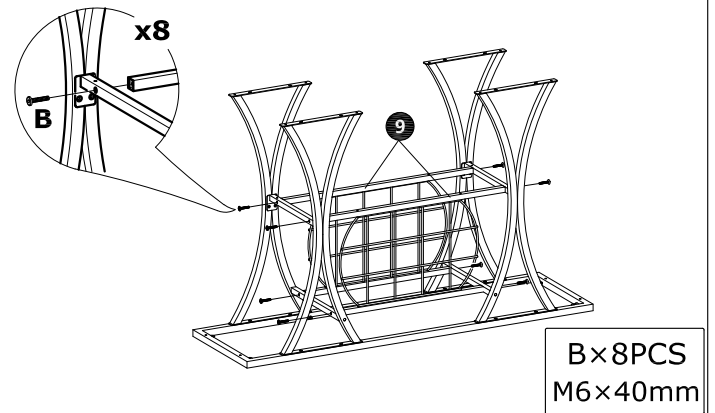
A×8PCS
M6×15mm

Step 3:



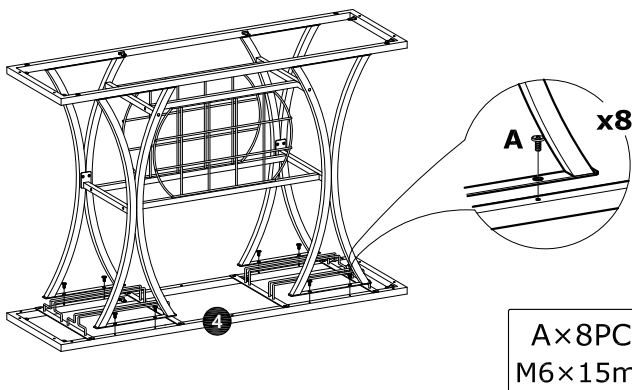
A×8PCS
M6×15mm
B×4PCS
M6×40mm

Step 4:



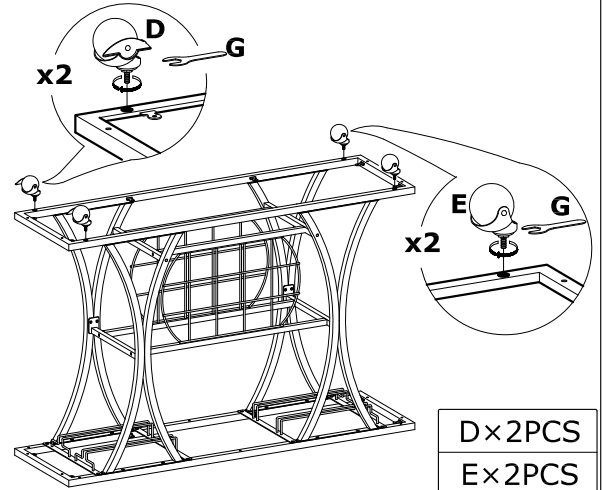
B×8PCS
M6×40mm

Step 5:



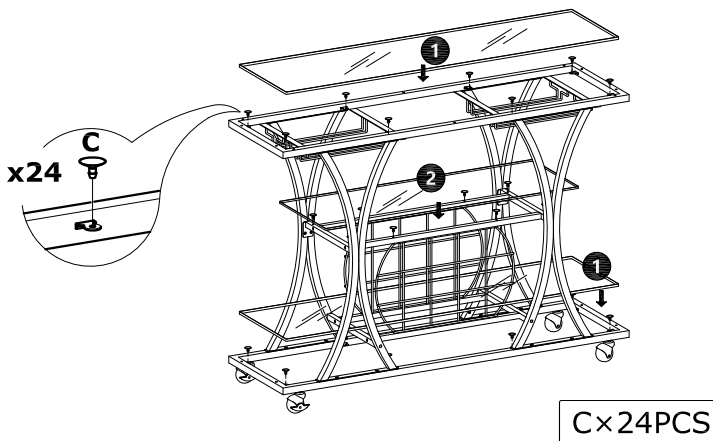
A×8PCS
M6×15mm

Step 6:



D×2PCS
E×2PCS

Step 7:



C×24PCS

Step 8:

