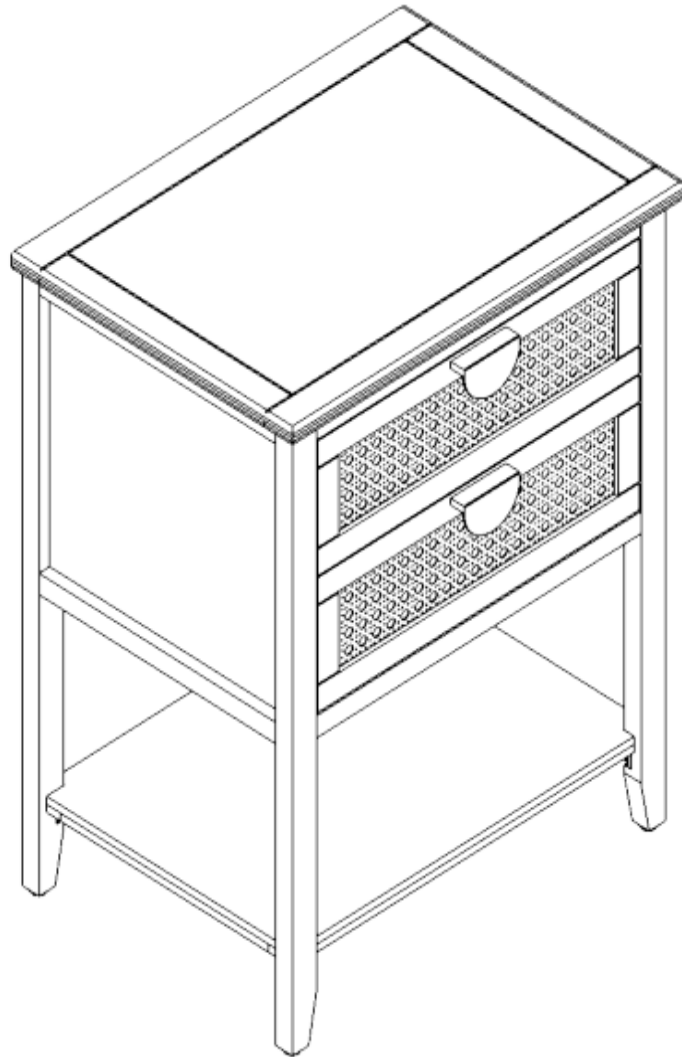


Installation Instruction



Product Name

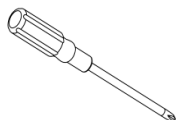
2 Drawer End Table

Ver.1.0 20220909

Assembling

What you need

- Use the packaging carton as a working surface to prevent product damage during assembly
- Phillips head screwdriver



Weight Limitation

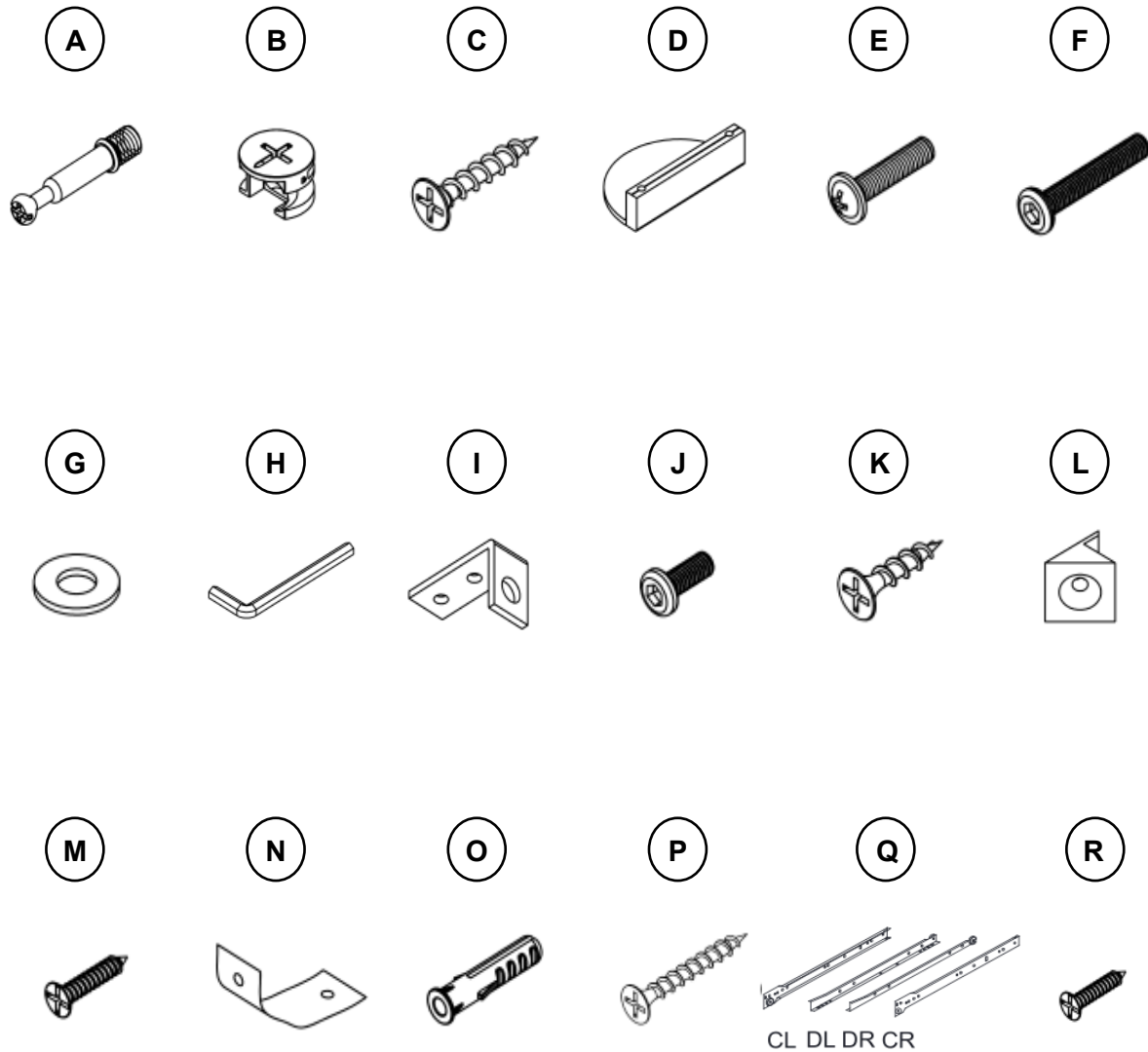


2 PERSONS

What's included

Code	Description	Qty
A	Cam Bolt M5*27mm	8
B	Cam Lock 15*10mm	8
C	Screw Φ 4x25mm	8
D	Handle	2
E	Bolt M4*16mm	4
F	Bolt M6x35mm	8
G	Metal Washer	8
H	Allen Key	1
I	Metal Plate	4
J	Bolt M6x15mm	4
K	Screw Φ 4x16mm	10
L	Plastic Corner Support	4
M	Screw Φ 3x14mm	4
N	Nylon Strap	2
O	Anchor Φ 6 x30mm	2
P	Screw Φ 4x35mm	2
Q	Slide sets	2
R	Screw Φ 3x12mm	16

The Hardware



IMPORTANT:

1. Do not tighten bolts / screws completely until all bolts / screws are lined up and inserted into holes.
2. Do not over tighten screws and bolts to avoid stripping.
3. Please use hand tools to assemble this product. Do not use power tools.
4. Must need 2 people to assemble this product.

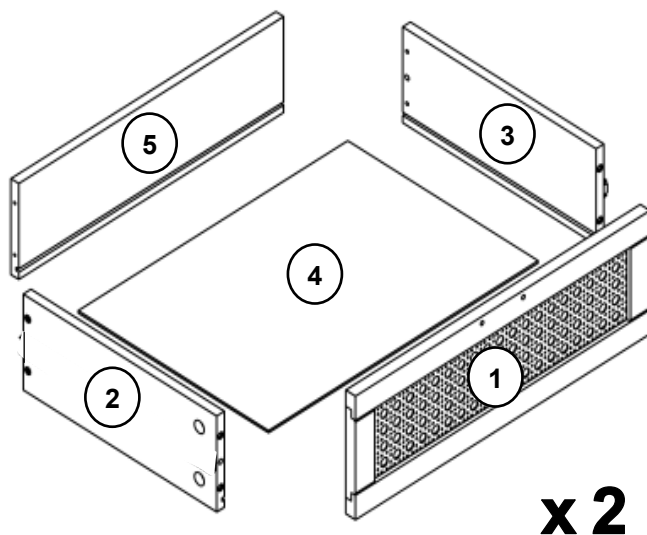
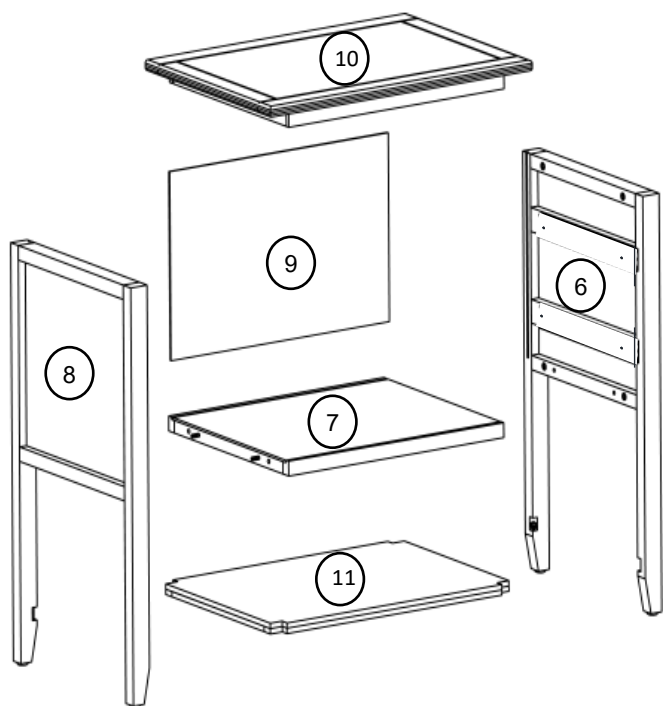


2 PERSONS

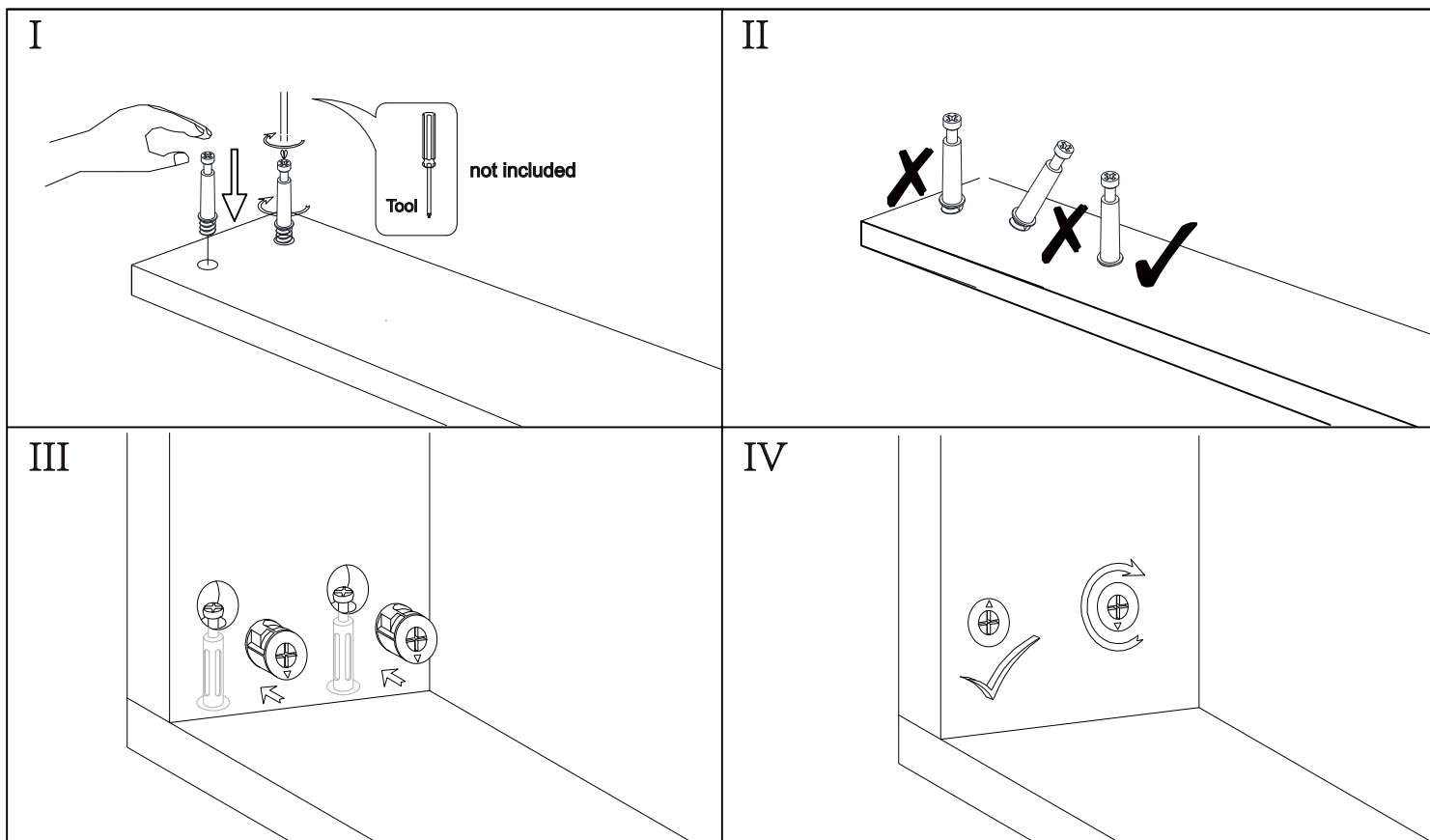
Included Accessories

Code	Description	Qty
1	Drawer Front Panel	2
2	Drawer Left Side Panel	2
3	Drawer Right Side Panel	2
4	Drawer Bottom Panel	2
5	Drawer Back Panel	2
6	Right Side Panel	1
7	Bottom Panel	1
8	Left Side Panel	1
9	Back Panel	1
10	Cabinet Top	1
11	Shelf	1

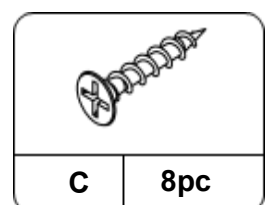
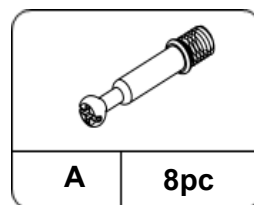
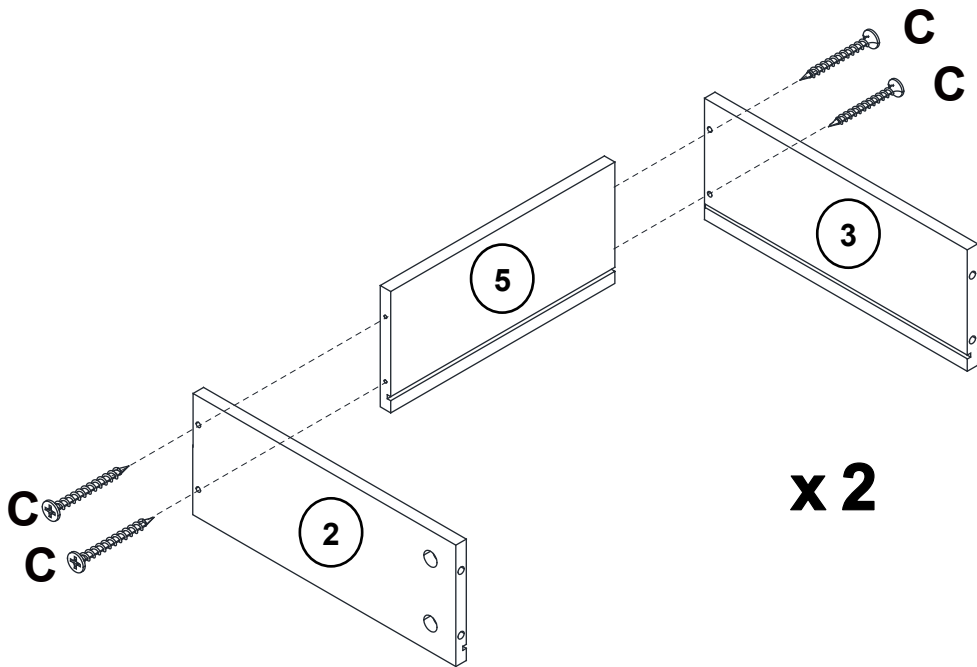
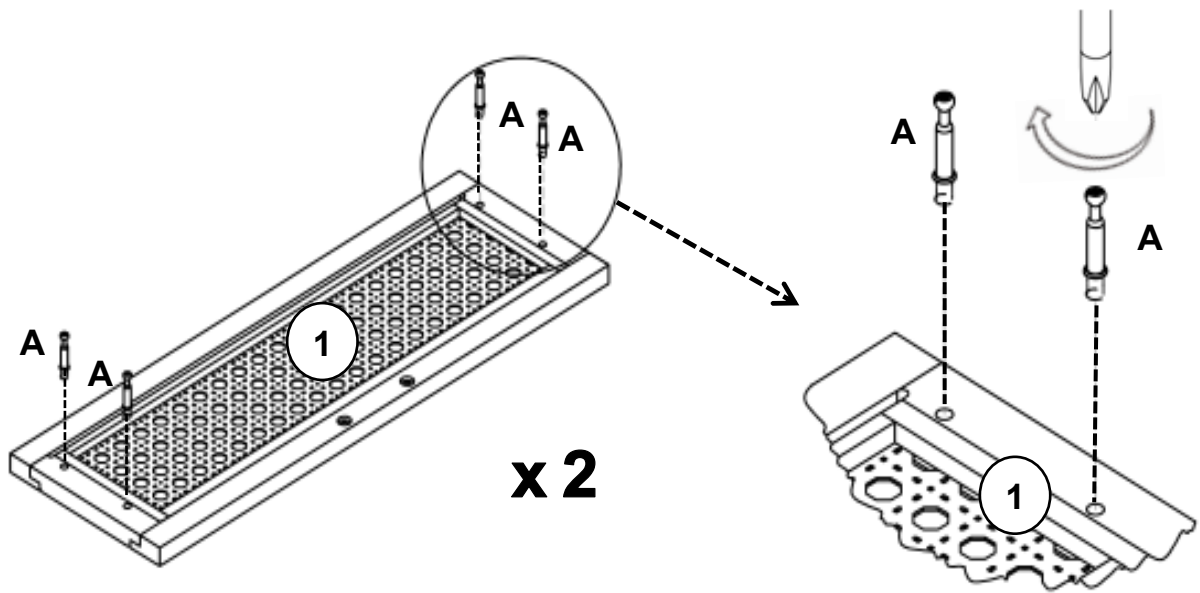
The Accessoriess



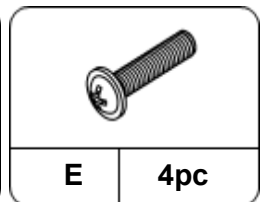
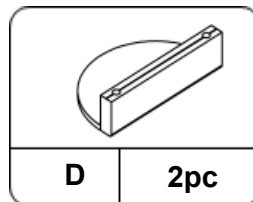
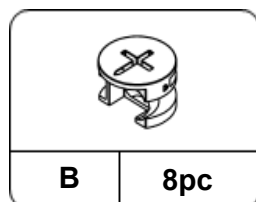
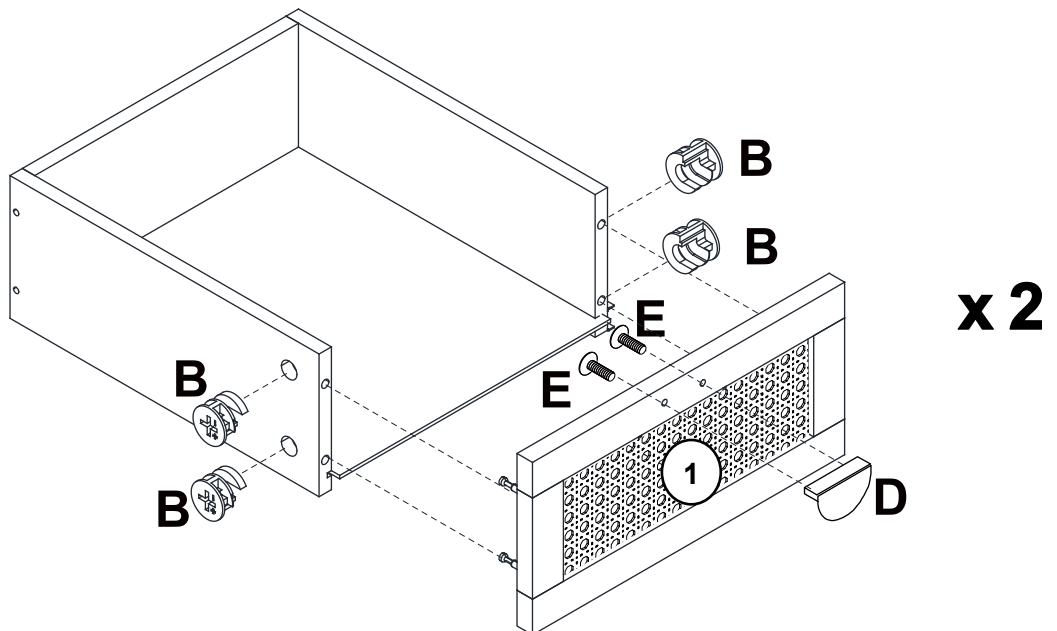
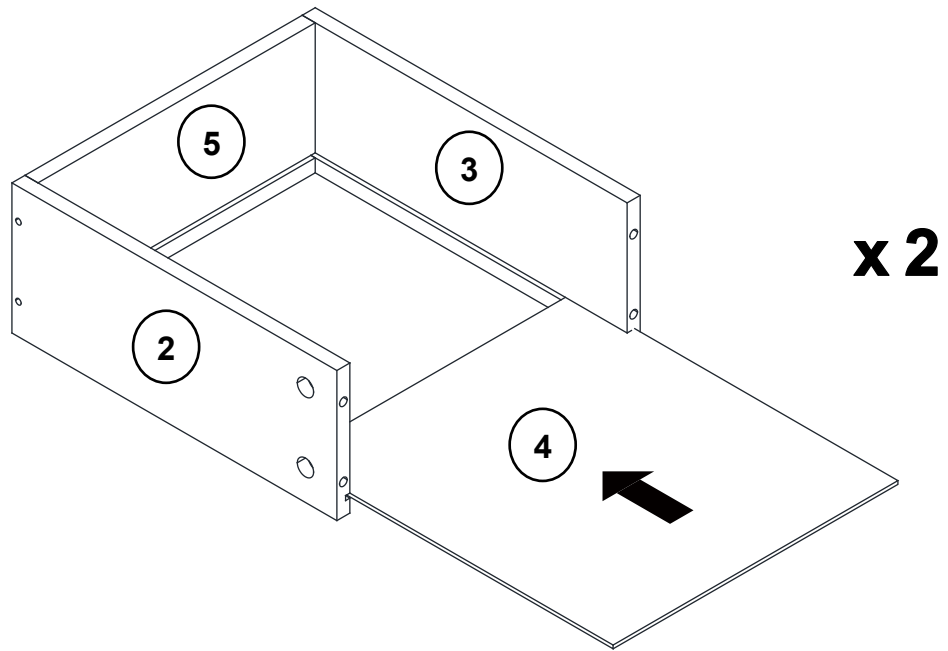
NOTED:



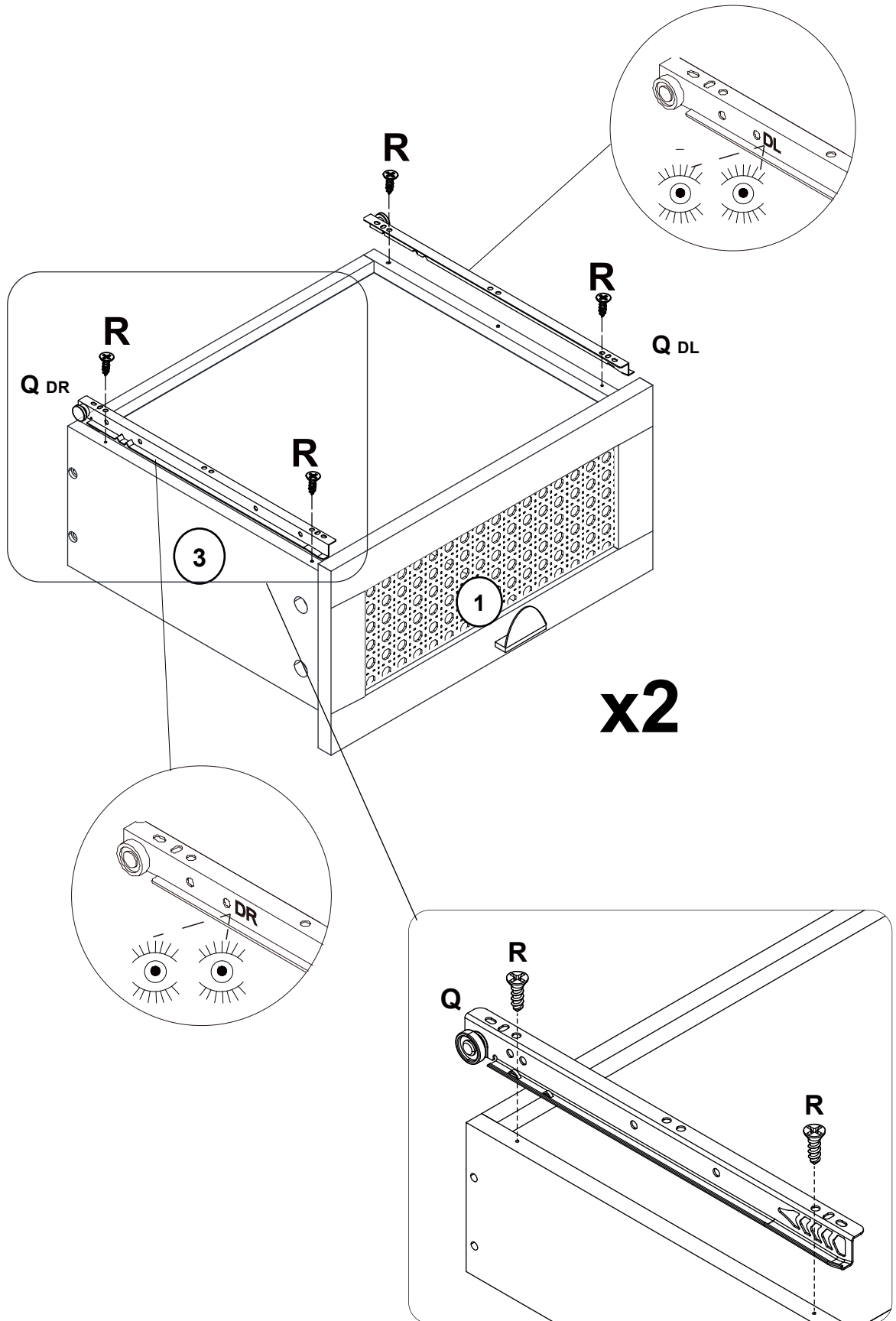
Step 1



Step 2



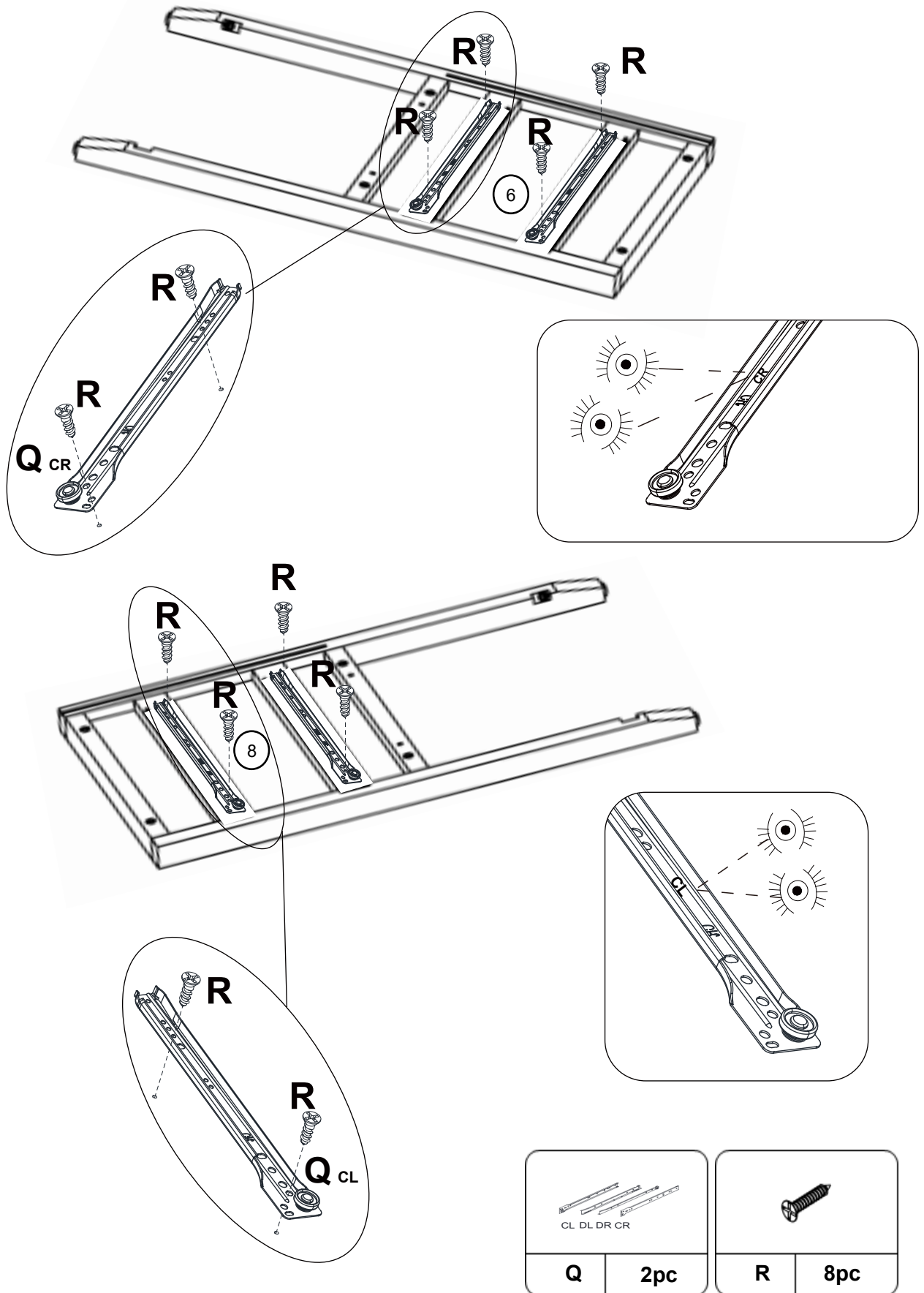
Step 3



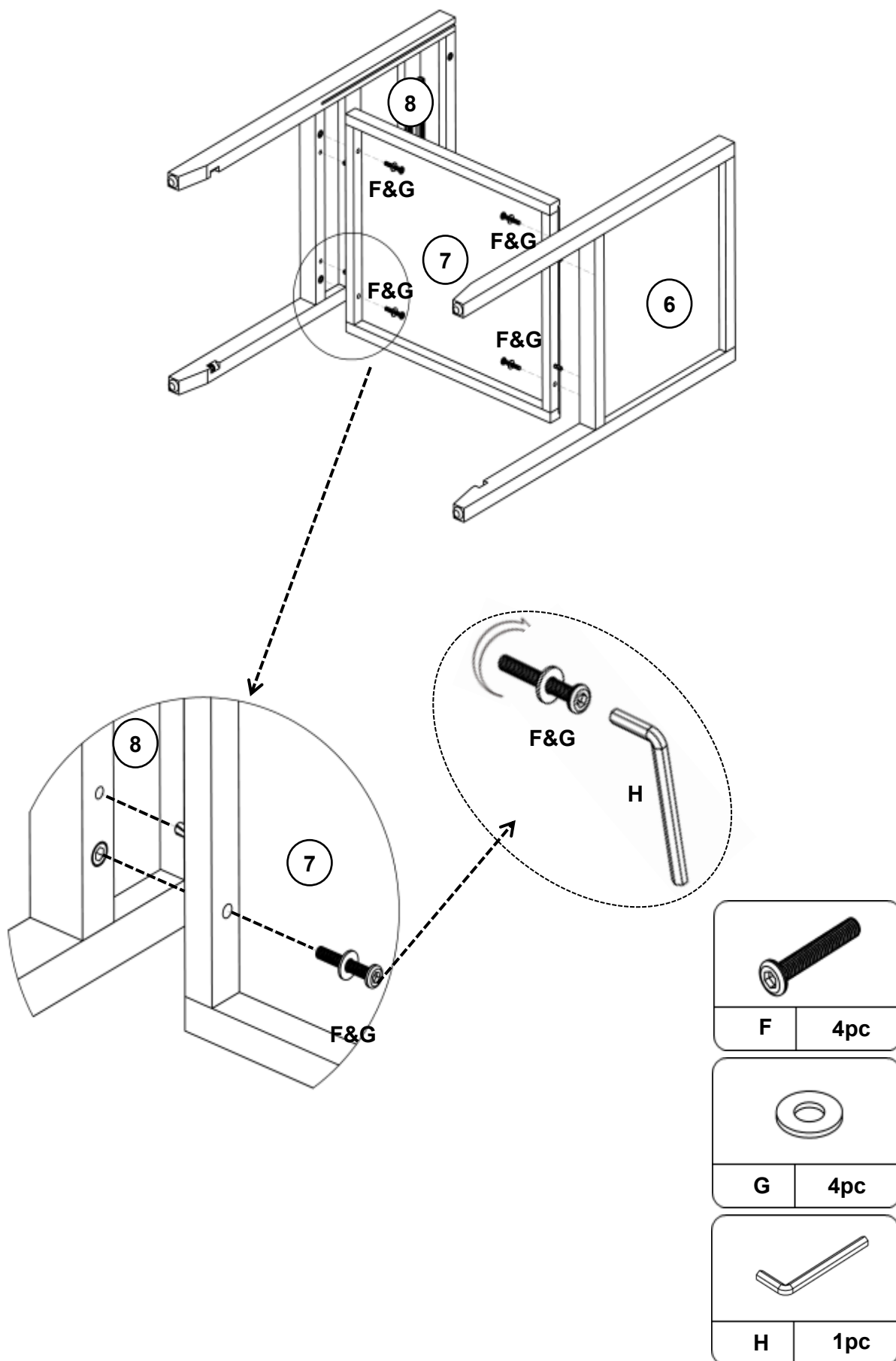
 CL DL DR CR	
Q	2pc

R	8pc

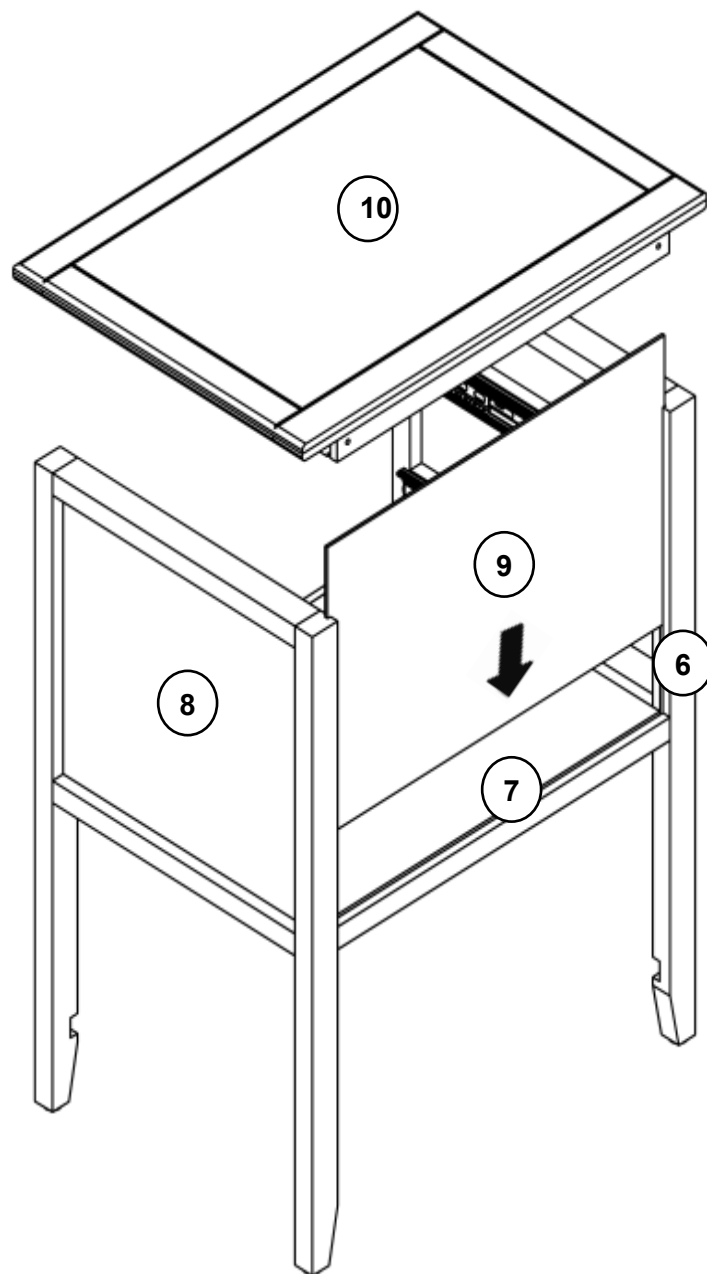
Step 4



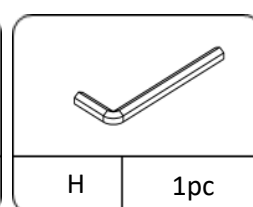
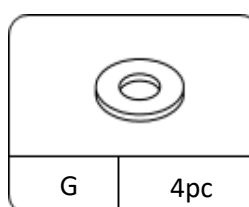
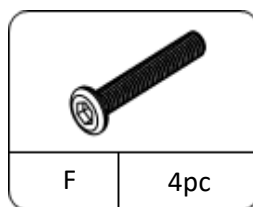
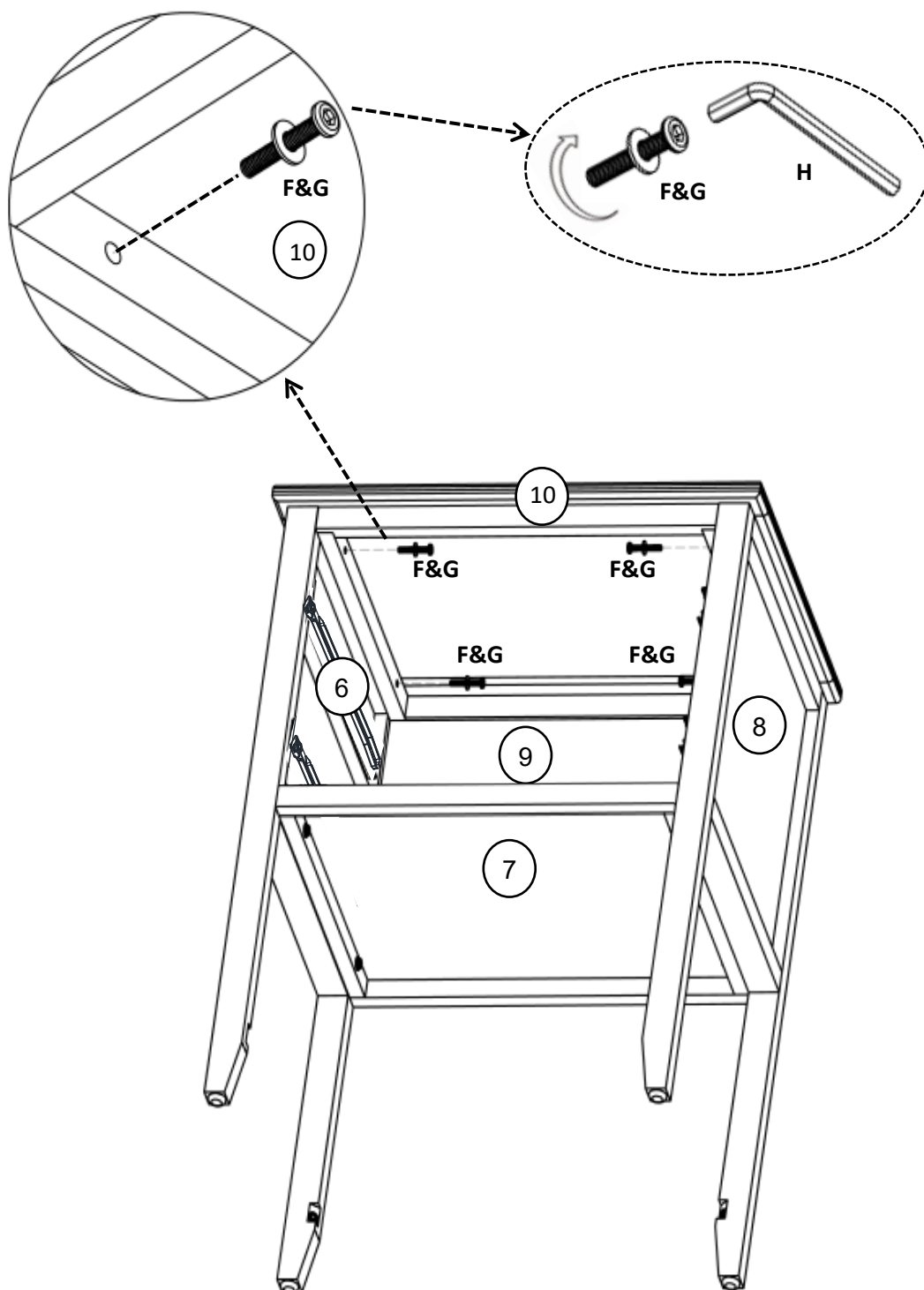
Step 5



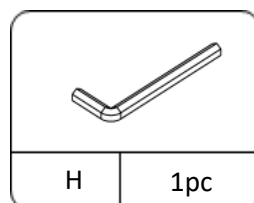
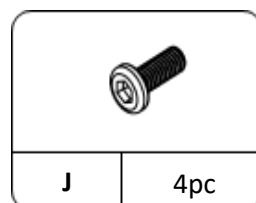
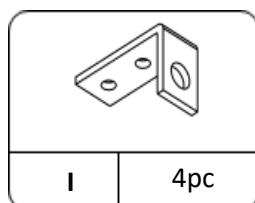
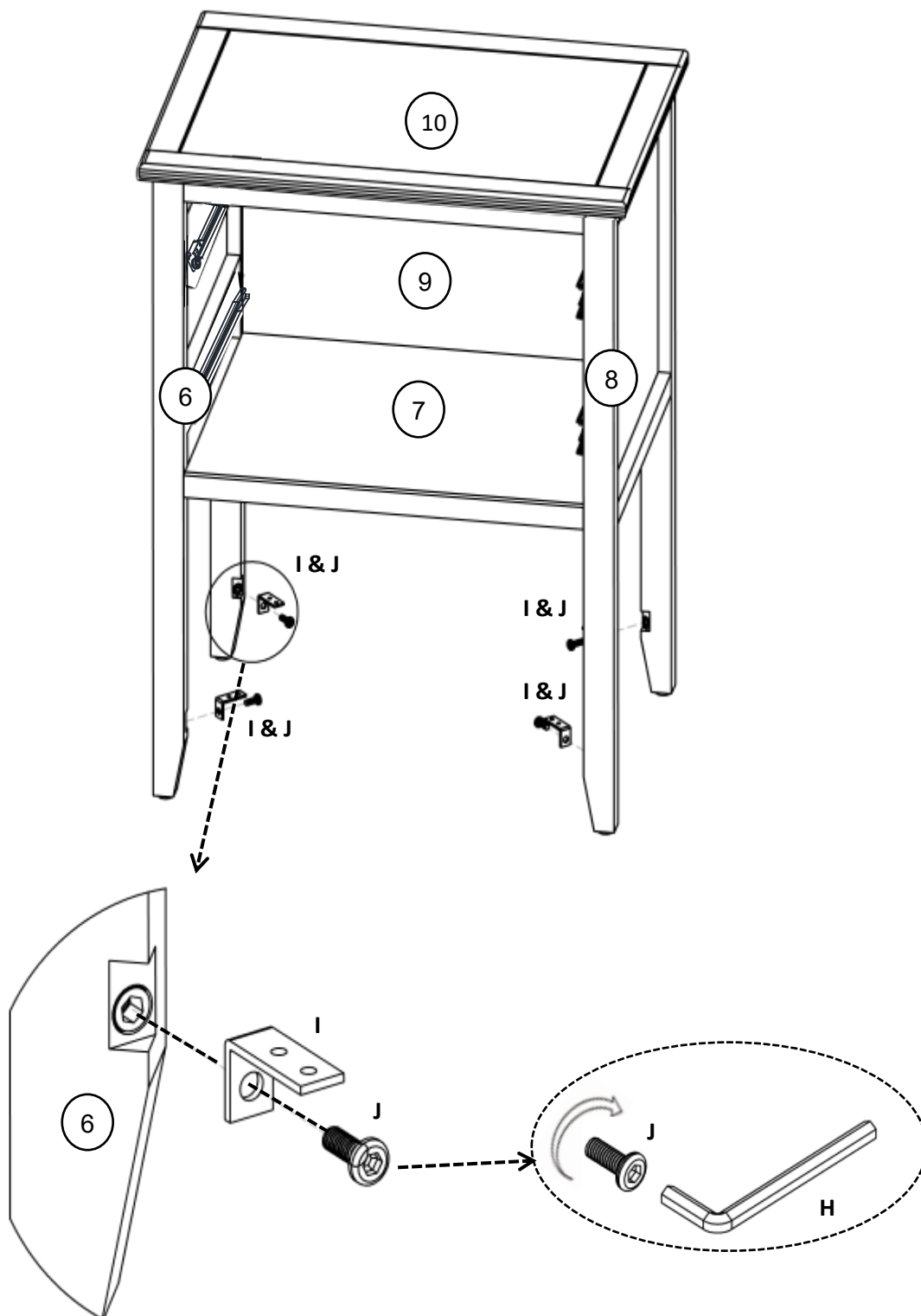
Step 6



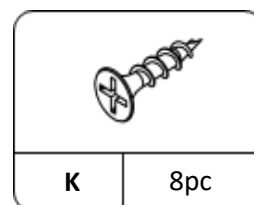
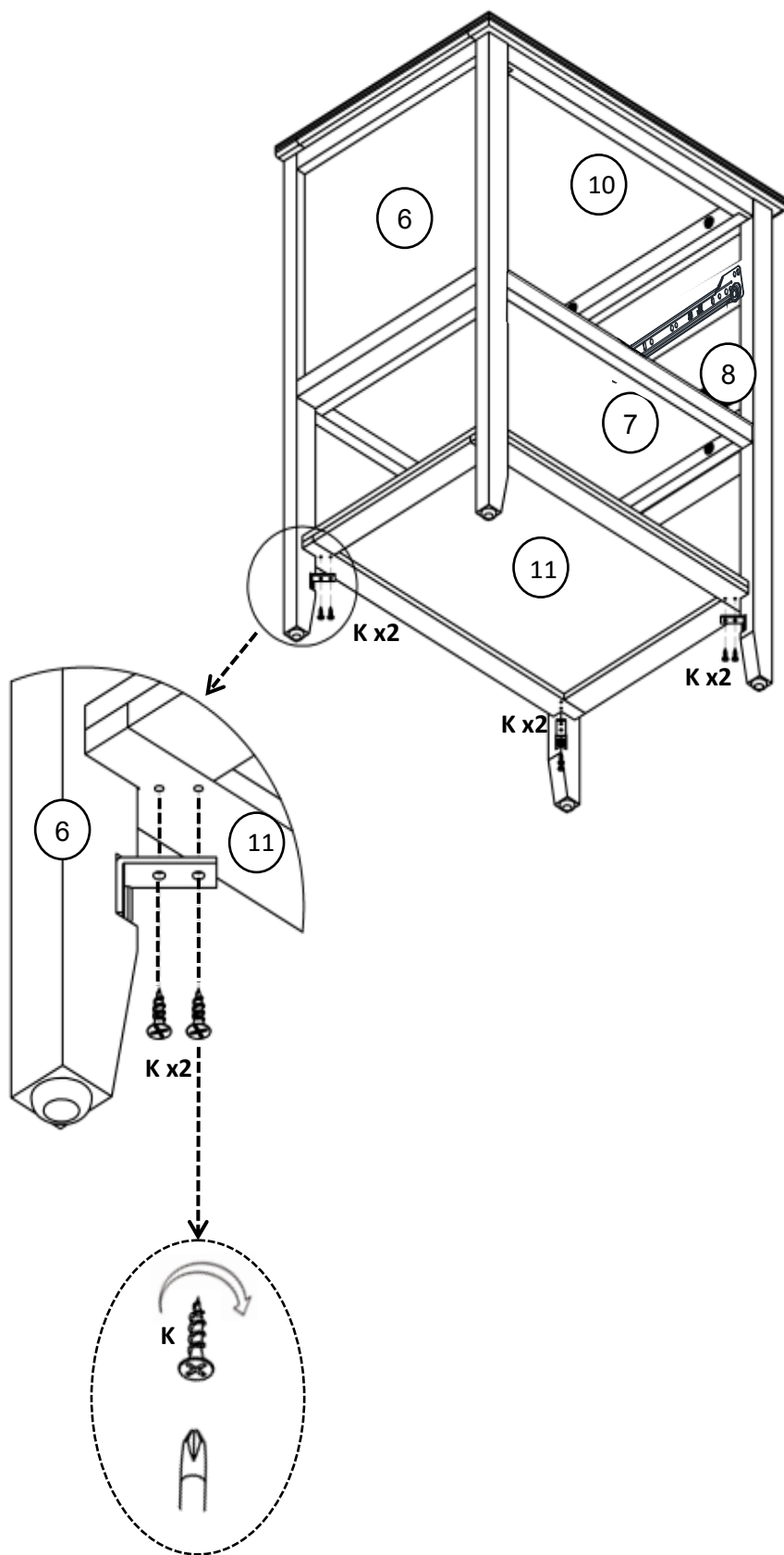
Step 7



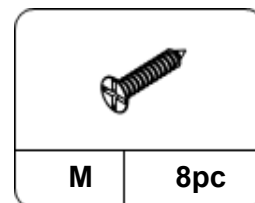
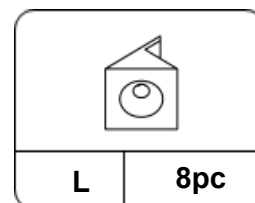
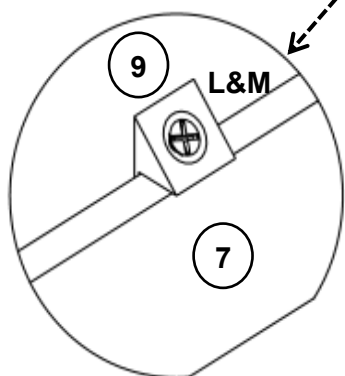
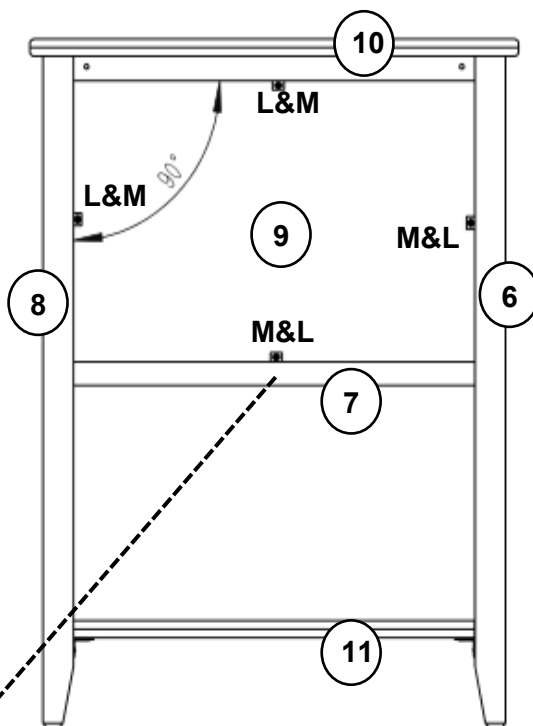
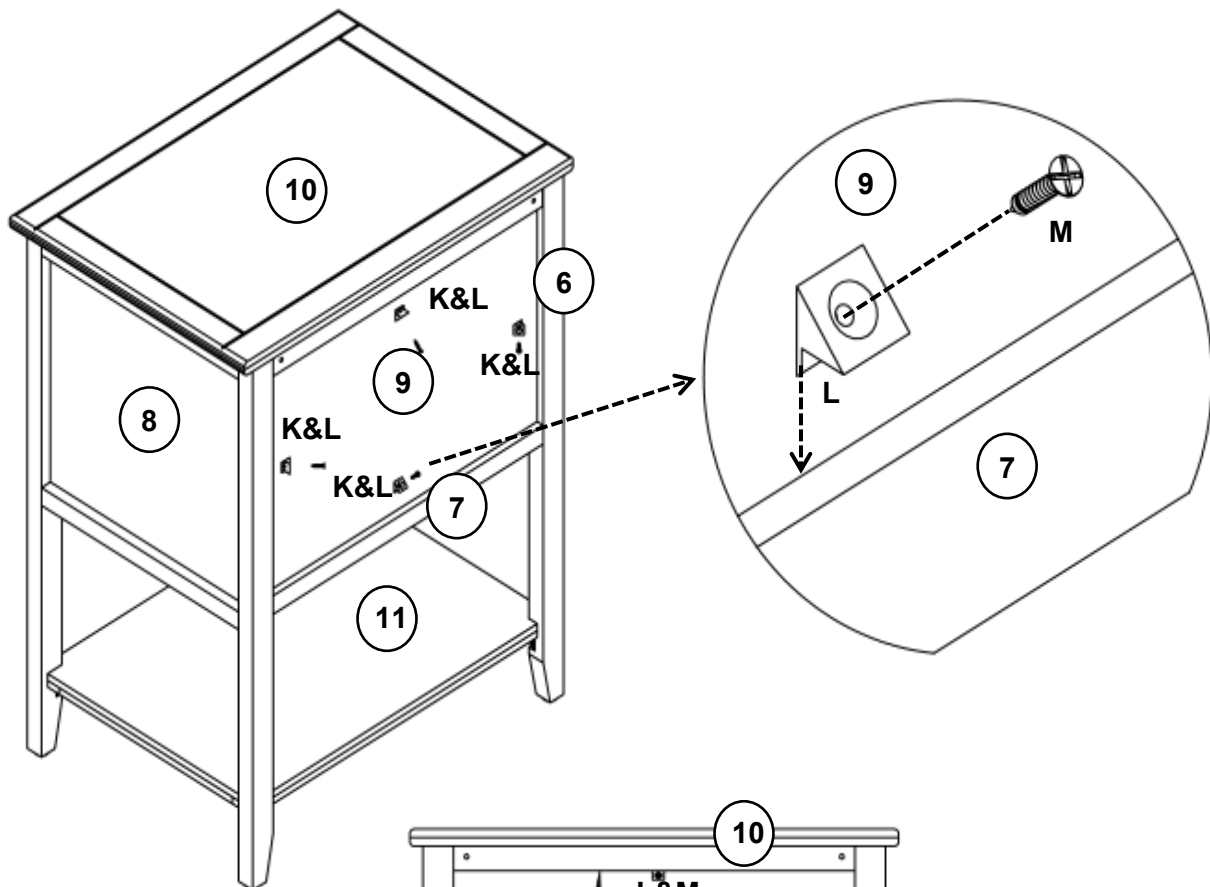
Step 8



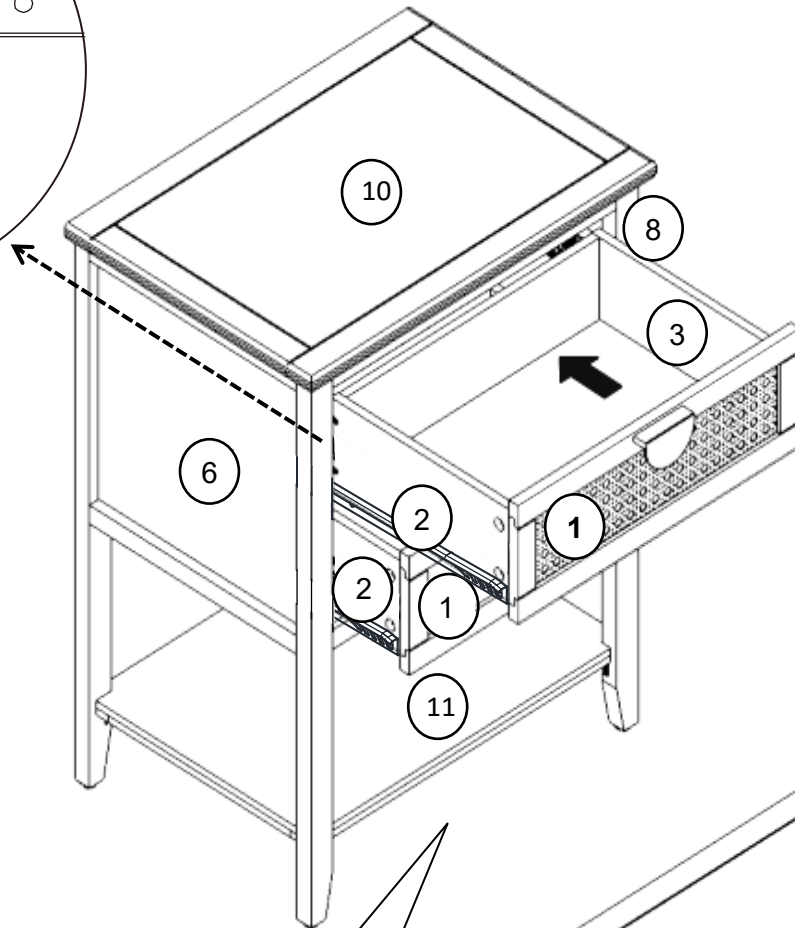
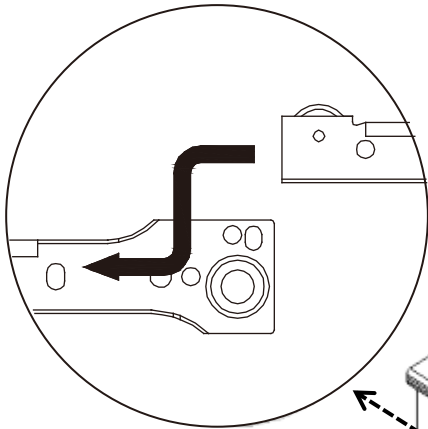
Step 9



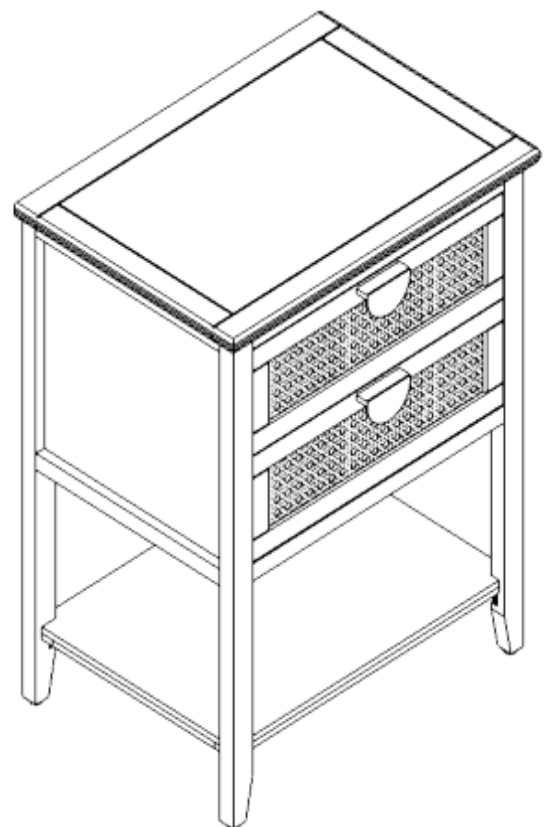
Step 10



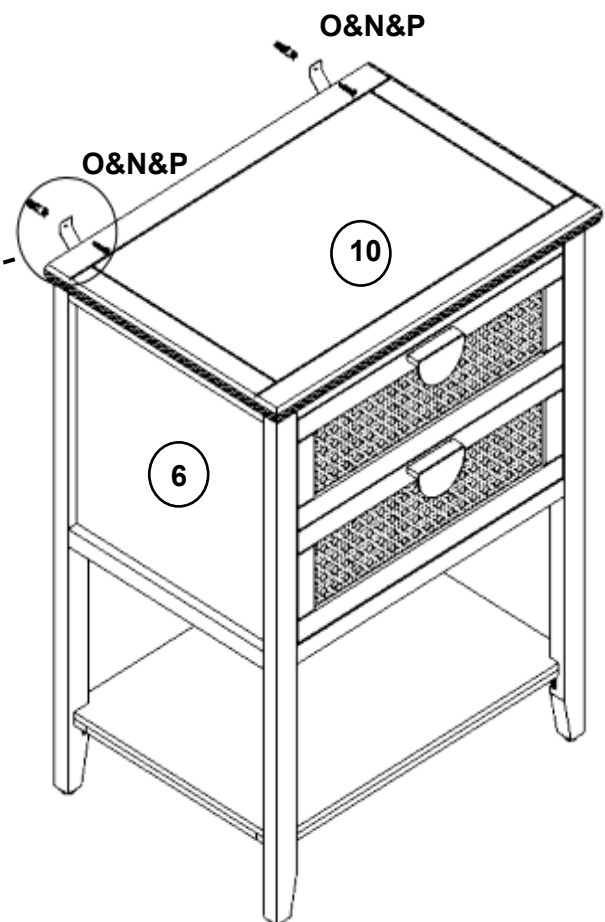
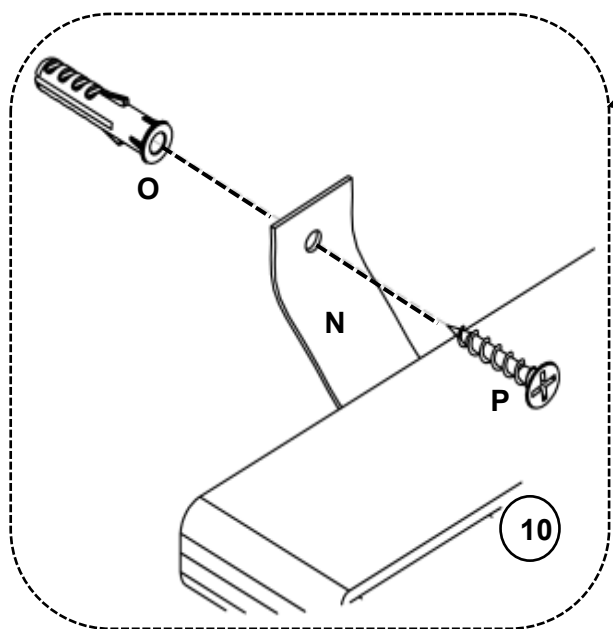
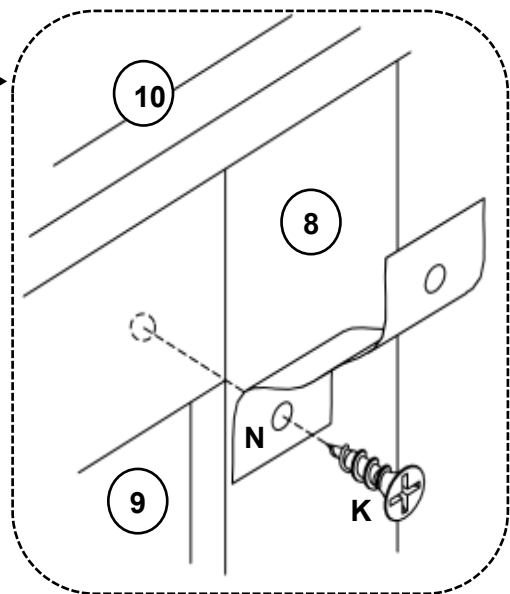
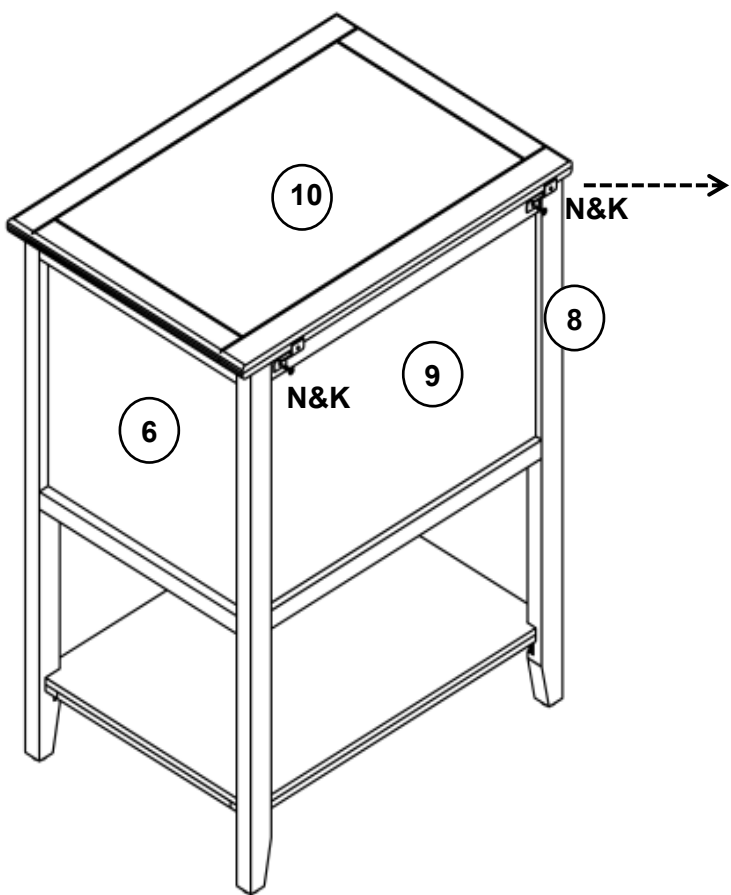
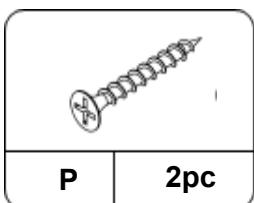
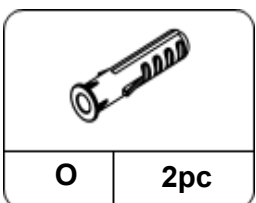
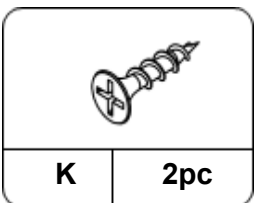
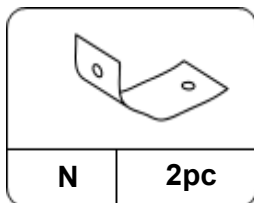
Step 11



Assemble drawers from the bottom up, or for easier access



Step 12



Proper Use

- DO NOT** use for commercial purposes
- DO NOT** use as a step stool or stand on table
- DO NOT** put hot serving liquid directly on the table top
- DO NOT** leave spilled liquid on the table top
- DO NOT** use table if damaged
- DO NOT** exceed weight limit
- DO NOT** make temporary repairs
- DO NOT** use outdoor

Dear Customer:

Thank you for purchasing our product, we wish you satisfy our service, if you have any further questions or any quality issues, please show the belows number and don't hesitate to contact our Customer Service People.