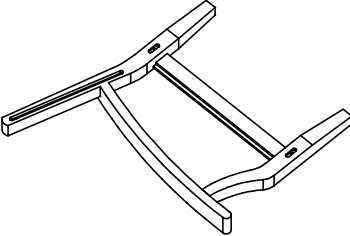
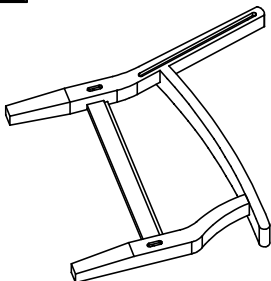
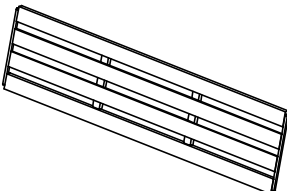
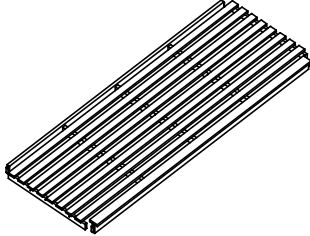

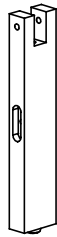
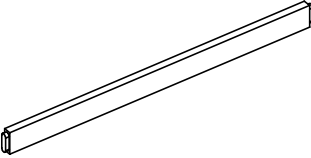


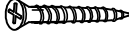
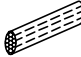

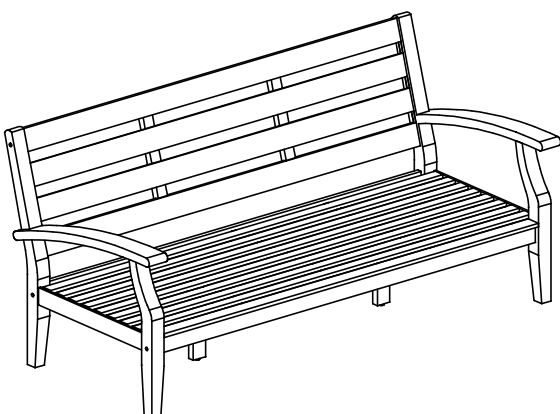


ASSEMBLY INSTRUCTIONS

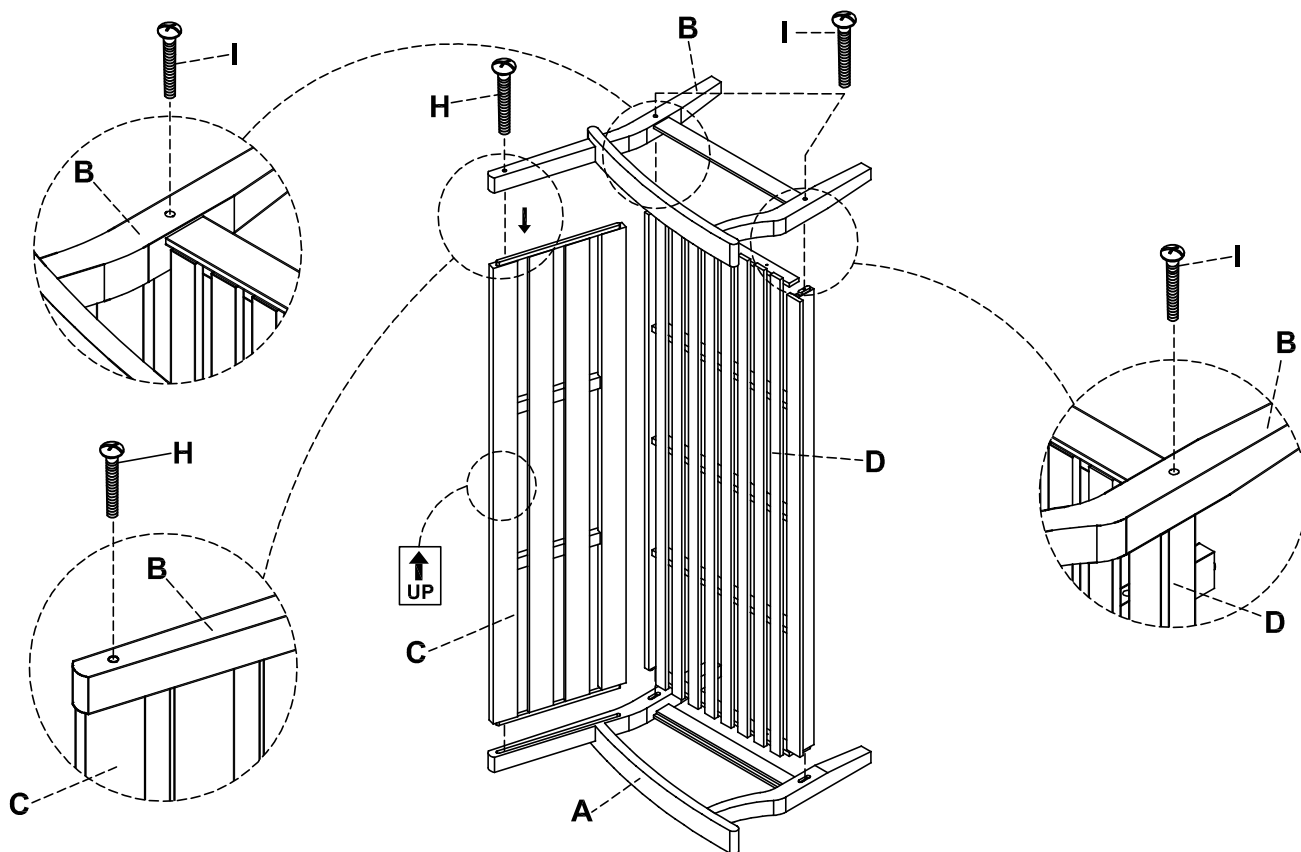
WOODEN SOFA

A Right side frame  1pc	B Left side frame  1pc	C Back Rest  1pc	D Seat  1pc
E Right middle leg  1pc	F Left middle leg  1pc	G Crossbar  1pc	H 1 3/4" Bolt  2pcs + 1pc reserve
I 2 1/4" Bolt  8pcs + 1pc reserve	J 1" Screw  4pcs + 1pc reserve	K Wooden dowel  2pcs + 1pc reserve	L Wooden cap  8pcs + 1pc reserve

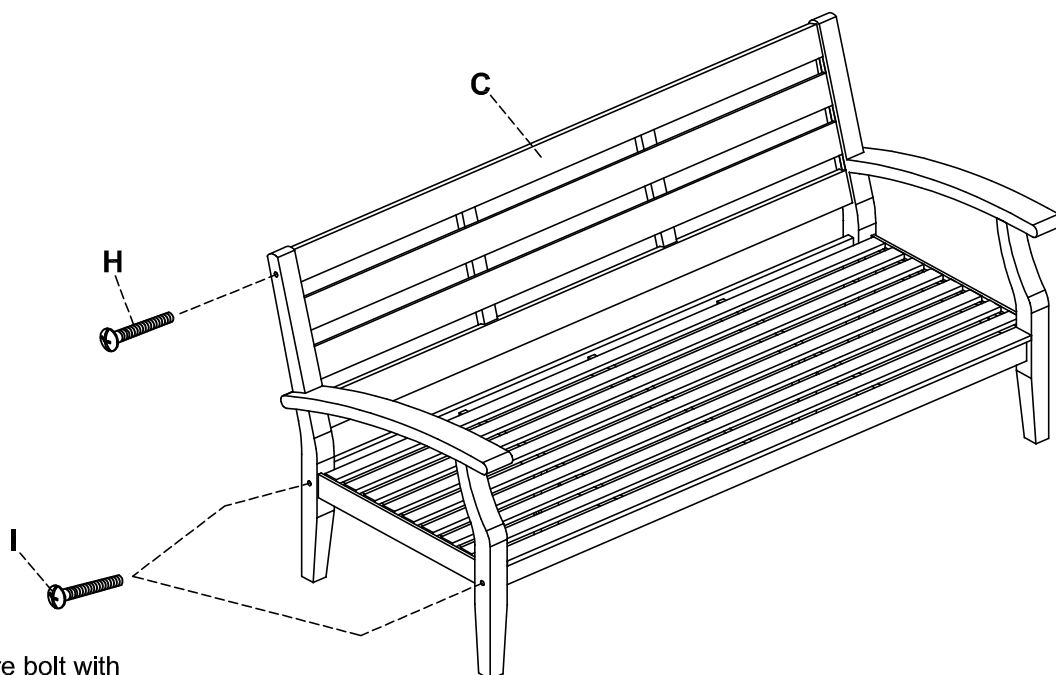


This page lists all the contents included in the box. Please take time to identify the hardware as well as the individual components to this product. As you unpack and prepare for assembly, place the contents on a carpeted or padded area to protect them from damage.

- 1** Attach the back rest(C) and seat(D) into right and left side frame(A&B) to the matching holes. Secure using 1 3/4" bolt(H) and 2 1/4" bolts(I) to left side frame(B), with screwdriver (not provided), position as shown. Don't fully tighten at this step.

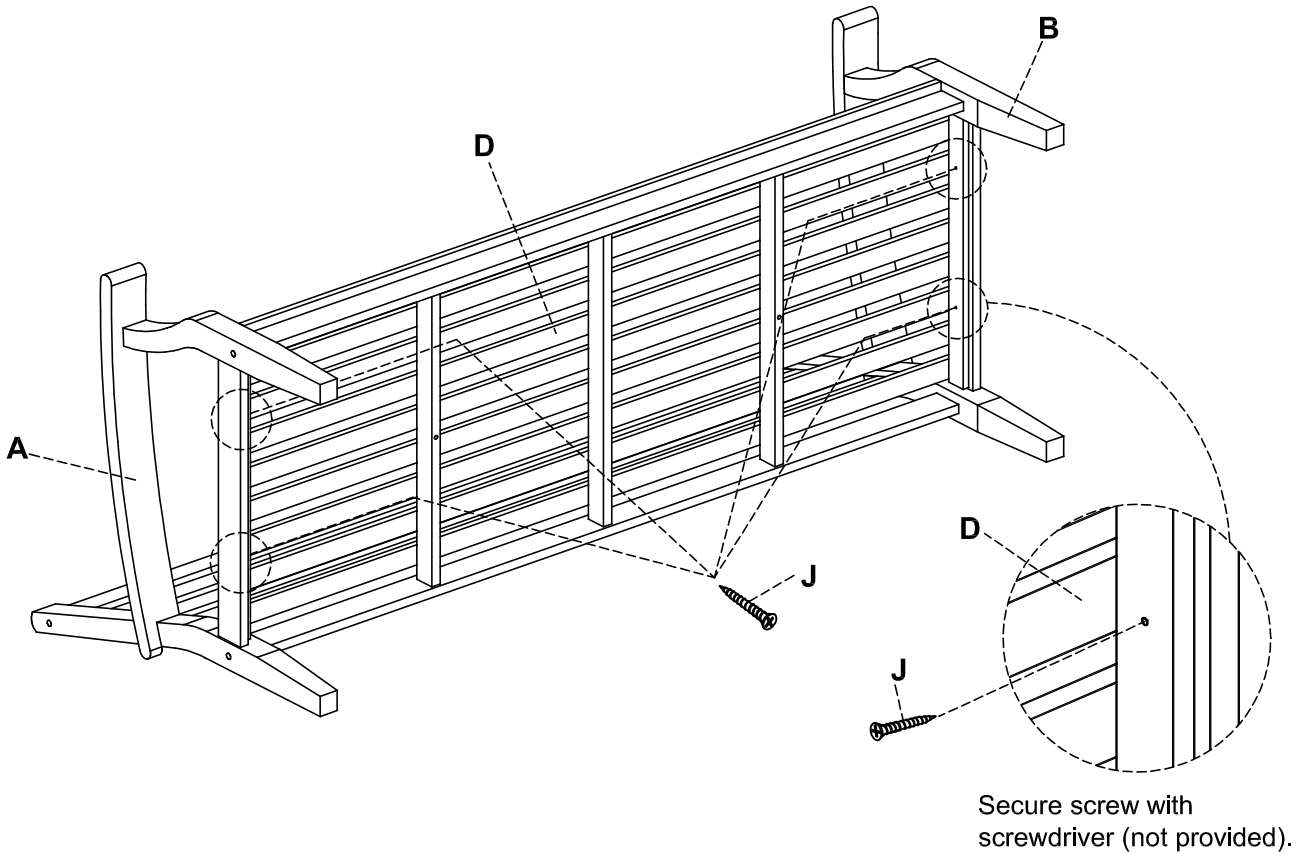


- 2** Upright the pre assembled, insert bolt(H) and bolts(I) with screwdriver (not provide). Note : To assembled the left side frame(B) was already shown in step 1. Don't fully tighten at this step.

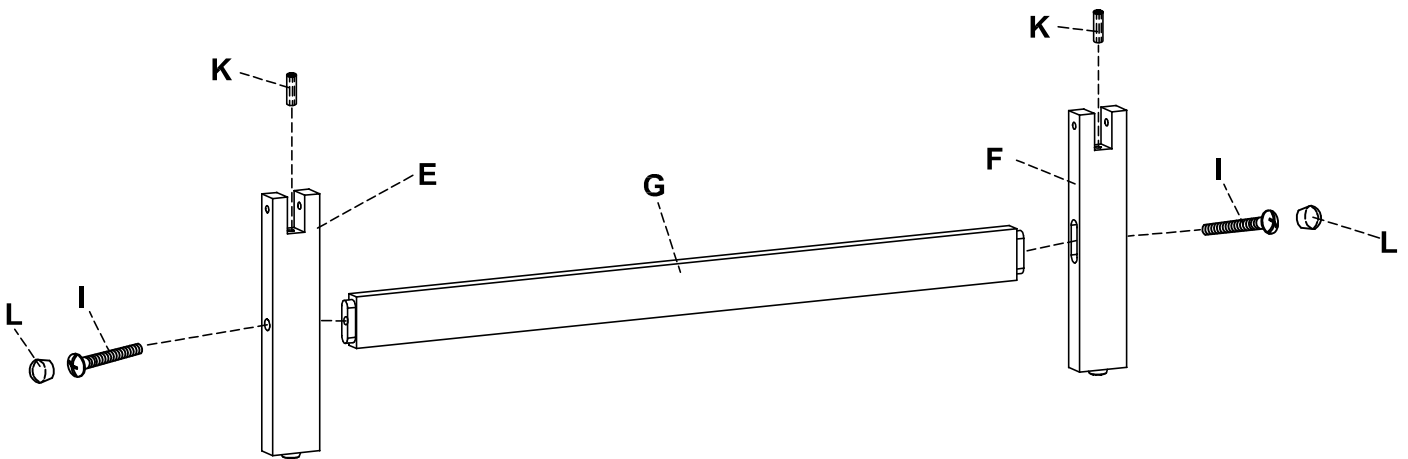


Secure bolt with screwdriver (not provided).

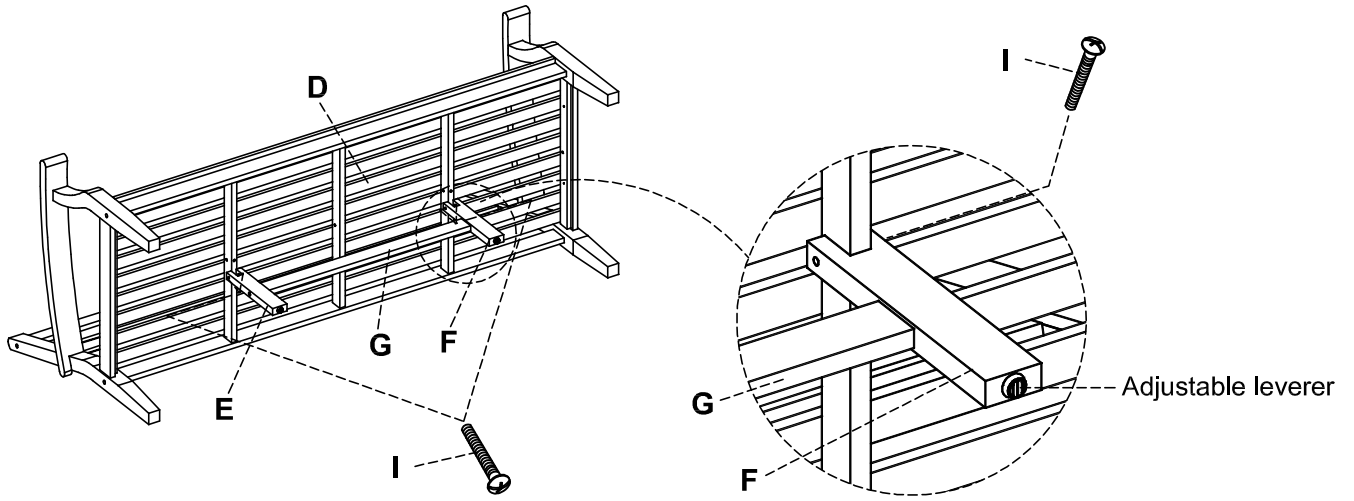
- 3 Secure the seat(D) and frame(A&B), using 1" screws(J) position as shown. Tighten all bolts and screws using screwdriver (not provided).



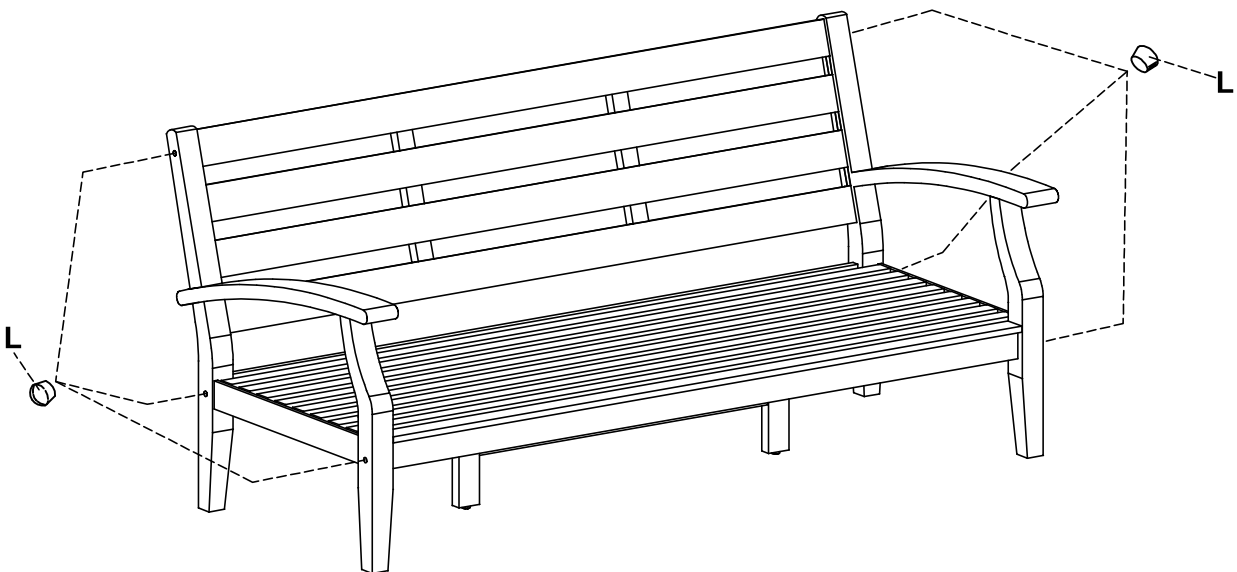
- 4 Attach the crossbar(G) into right and left middle leg(E&F) and secure with 2 1/4" bolts(I). Tighten the bolts using screwdriver. Enter wooden dowel(K) into the hole leg. Tapping the wooden caps(L) to cover bolts using rubber mallet (not provided).



- 5** Attach the pre assembly from step 4 into the middle cross bar secure using 2 1/4" bolts(I) tighten the bolts using screwdriver. To balance the seat height between the middle & bench leg, adjust the leverer until legs balance before using.



- 6** Tapping the wooden caps (L) to cover bolts using rubber mallet (not provided).The chair is now ready to use.



Cleaning & Care

Treat surface with care. Surface is resistant to scratches but is not scratch resistant. Clean surfaces with a dry or damp soft cloth. Do not use abrasive cleaners. Hardware may loosen over time. Periodically check that all connections are tight.