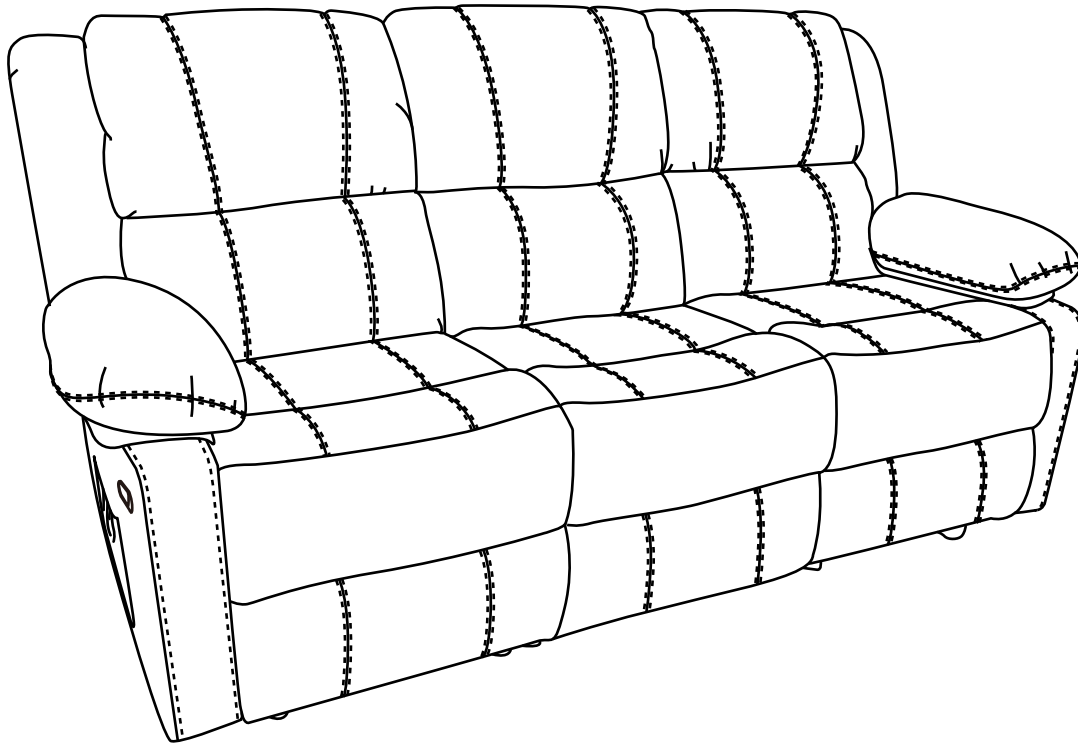
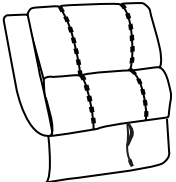
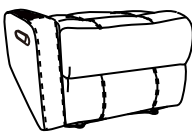
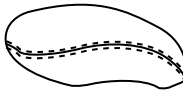
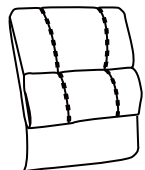
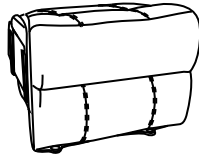
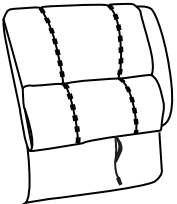
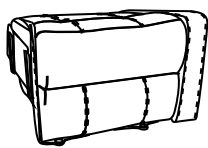
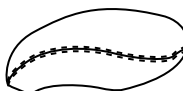
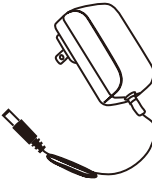
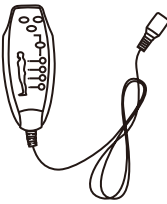


ASSEMBLY INSTRUCTIONS

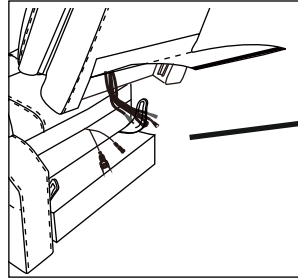
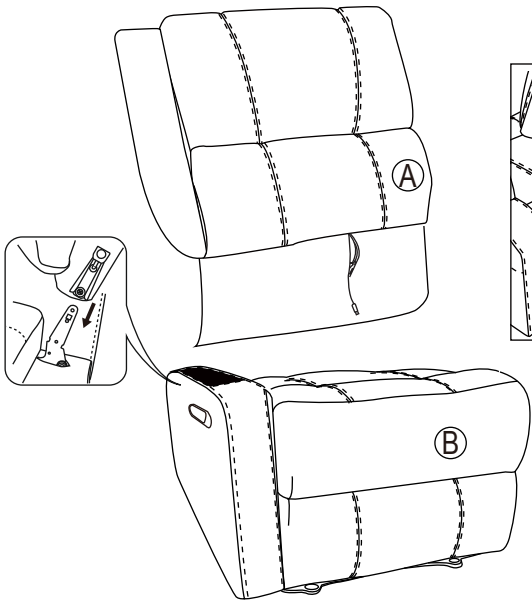
Thanks for choosing our product. Please kindly check parts listed below and read this manual carefully, then assemble them step by step. Please feel free to contact us for any questions.



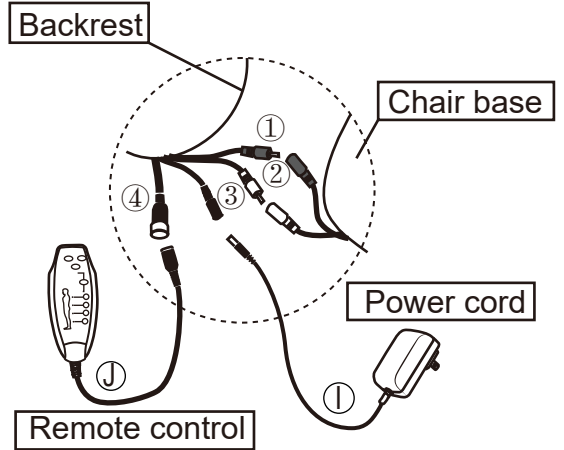
| Parts List | | | | |
|--|--|---|--|---|
| A X1  Left Backrest | B X1  Left Seat | C X1  Left Armrest | D X1  Middle Backrest | E X1  Middle Seat |
| F X1  Right Backrest | G X1  Right Seat | H X1  Right Armrest | I X2  Plug | J X2  Remote |

ASSEMBLY INSTRUCTIONS

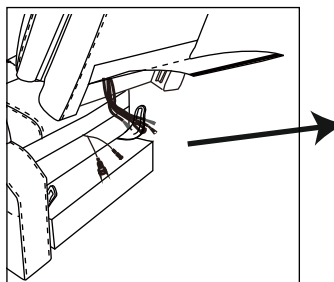
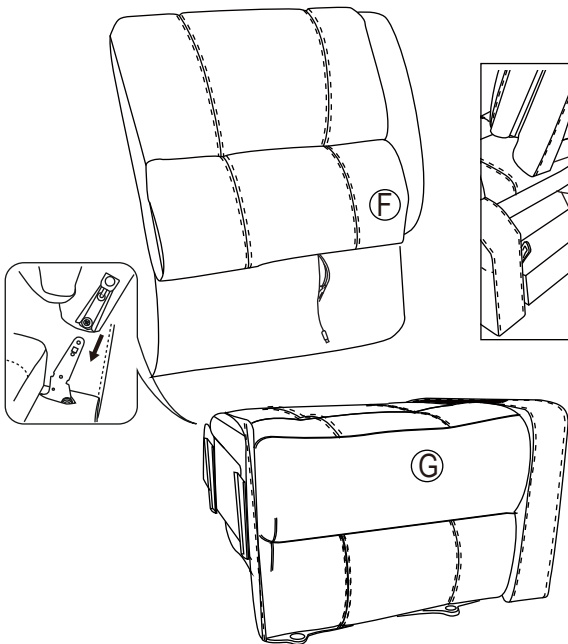
STEP 1



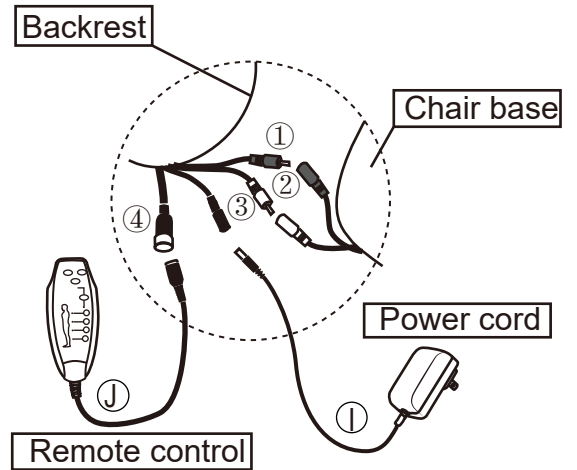
No.1 and No.2 wire connect with the backrest and chair base.
.No.3 wire connects with backrest and power cord(D).
No.4 wire connects with backrest and remote control(E).
NOTE: Two same color wires connect.



STEP 2

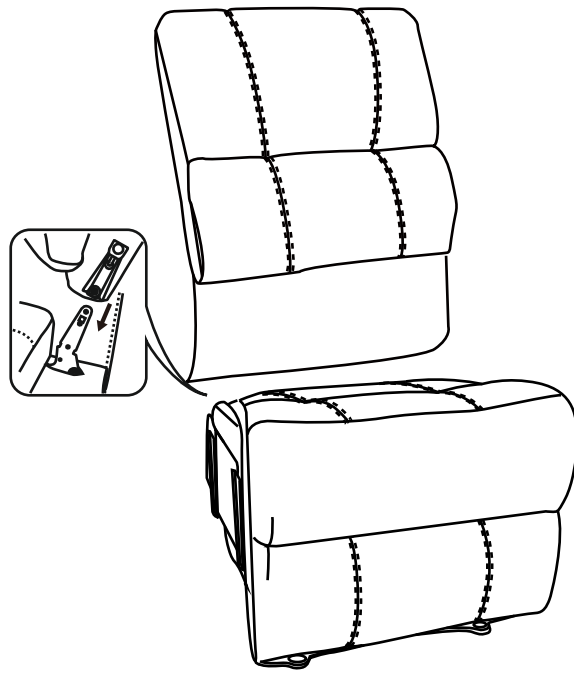


No.1 and No.2 wire connect with the backrest and chair base.
No.3 wire connects with backrest and power cord(D).
No.4 wire connects with backrest and remote control(E).
NOTE: Two same color wires connect.

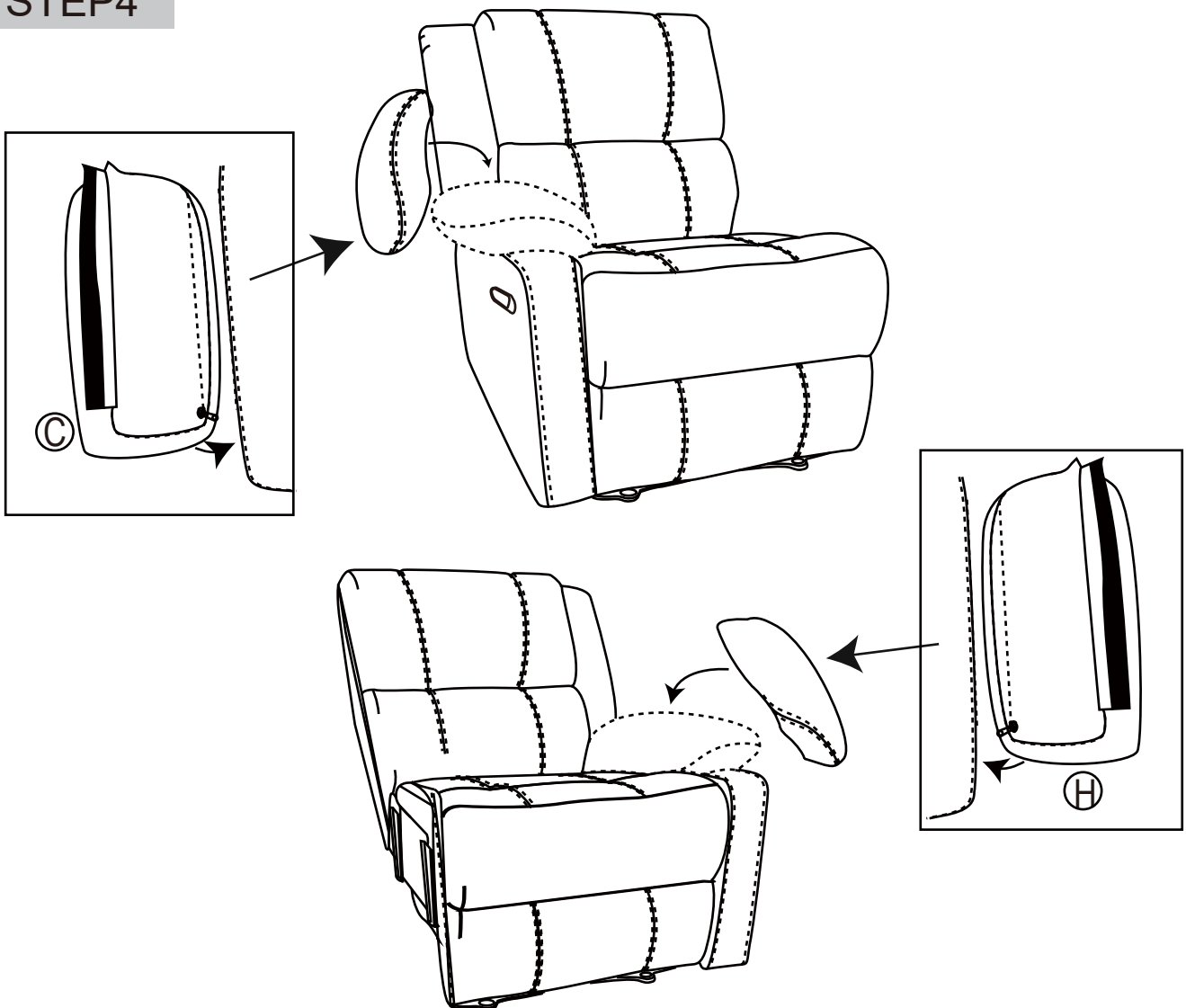


ASSEMBLY INSTRUCTIONS

STEP 3

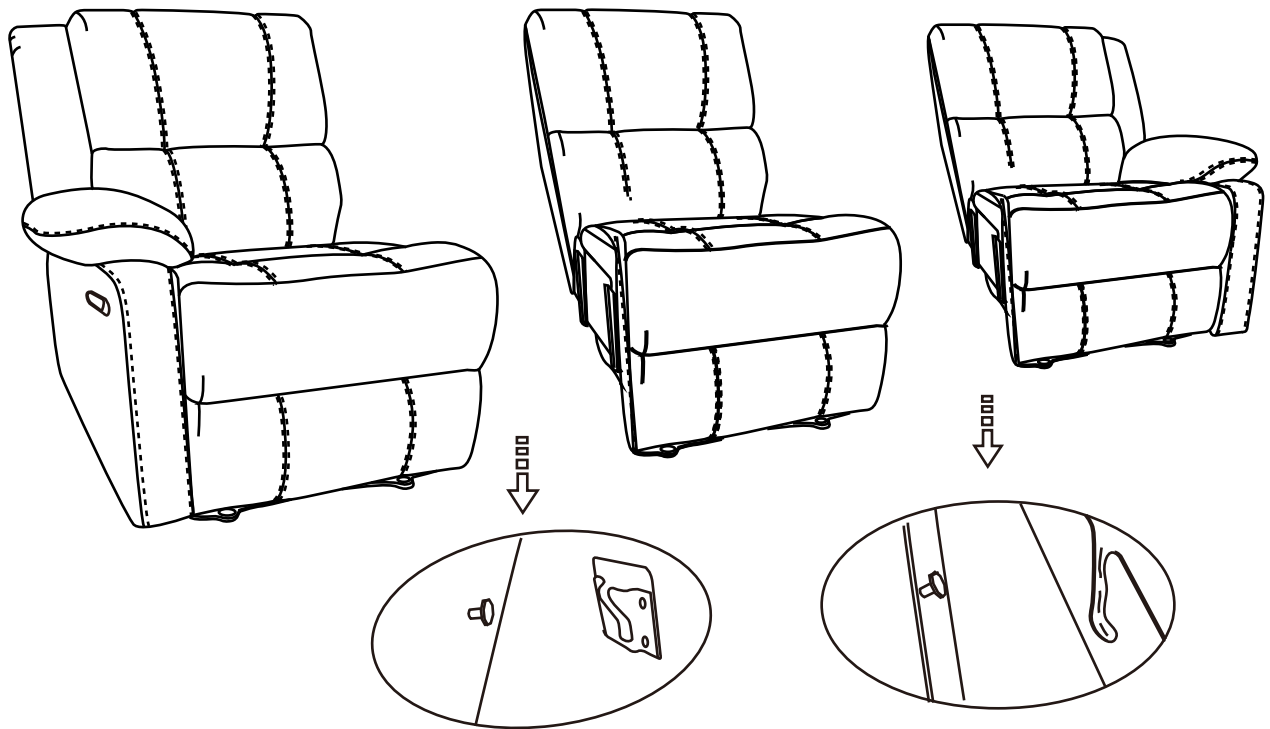


STEP 4



ASSEMBLY INSTRUCTIONS

STEP 5



STEP 6

