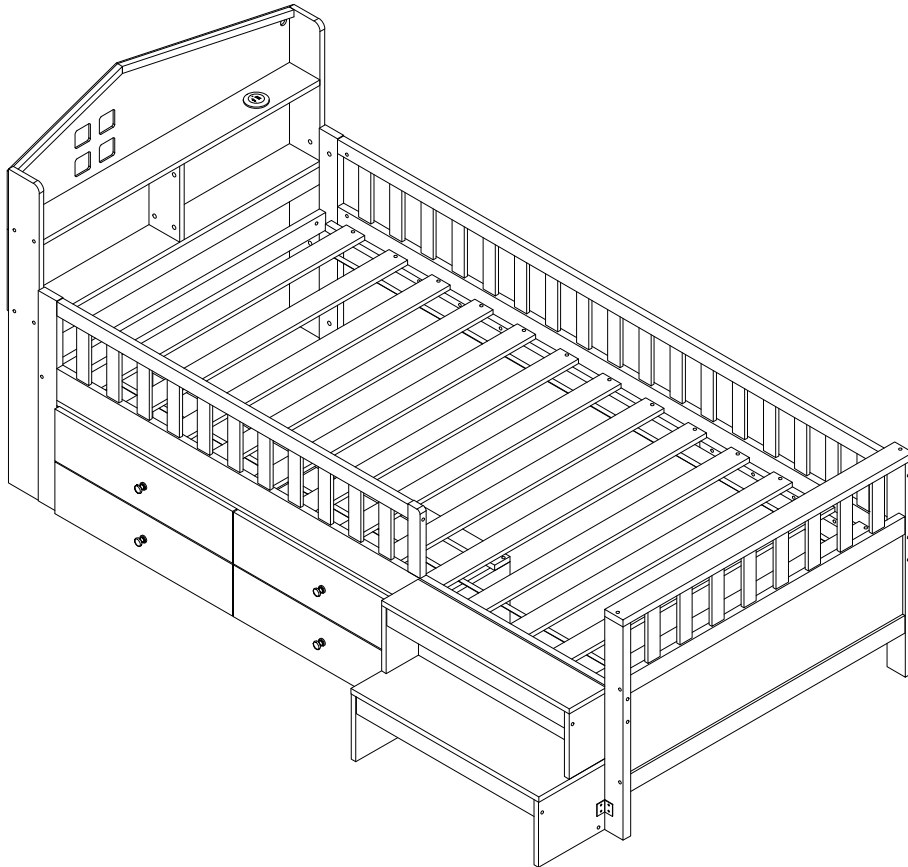
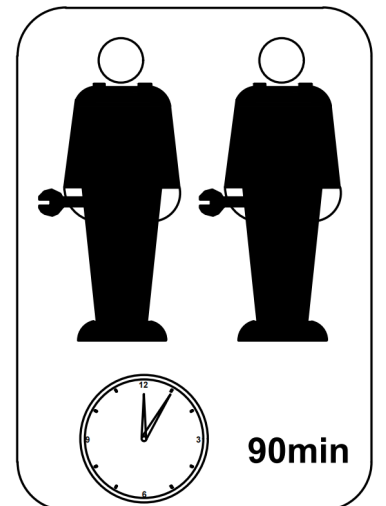


# ASSEMBLY INSTRUCTIONS

ItemNumber: N652P434083  
N652P434084



This set comes in 2 boxes. If you do not receive a full 2 boxes, please contact our customer service.



# INSTRUCTIONS

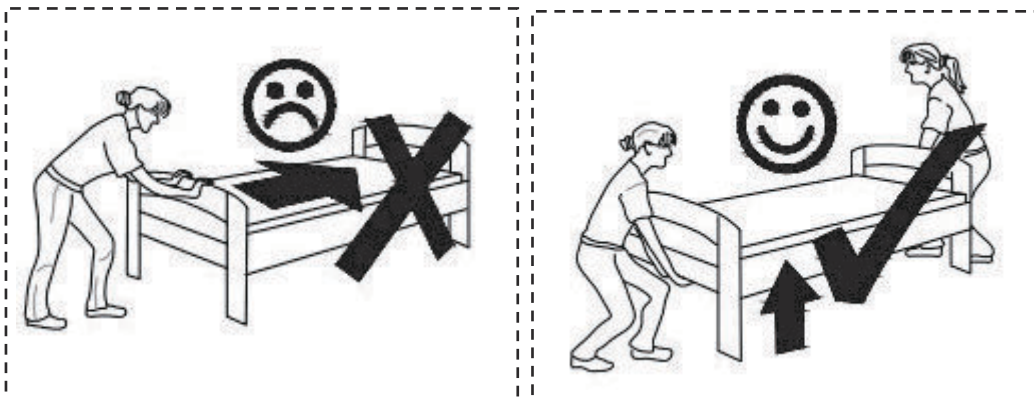
## IMPORTANT-READ CAREFULLY-RETAIN FOR FUTURE REFERENCE

- a) **WARNING** -Children can become trapped between the bed and the wall, the adjoining pieces of furniture (e.g. cupboards) and the like. To avoid risk of serious injury the distance between the safety barrier and the adjoining structure shall not exceed 75 mm or shall be more than 200 mm.
- b) **WARNING**-Do not use the bed if any structural part is broken or missing; Replacement parts are between requested from the manufacturer or the store.
- c) **WARNING**-Do not climb or wiggle on any non-designated structures.
- d) it is imperative to always follow the installation instructions and manufacturer's use.
- e) The recommended size of the mattress to be used with the bed is 190cmx90cm.
- f) It is necessary to ventilate the room in order to maintain a low level moisture and prevent mold growth in the bed and its periphery.
- g) Joining devices should always be tightened properly and regularly verified. Tighten if necessary.

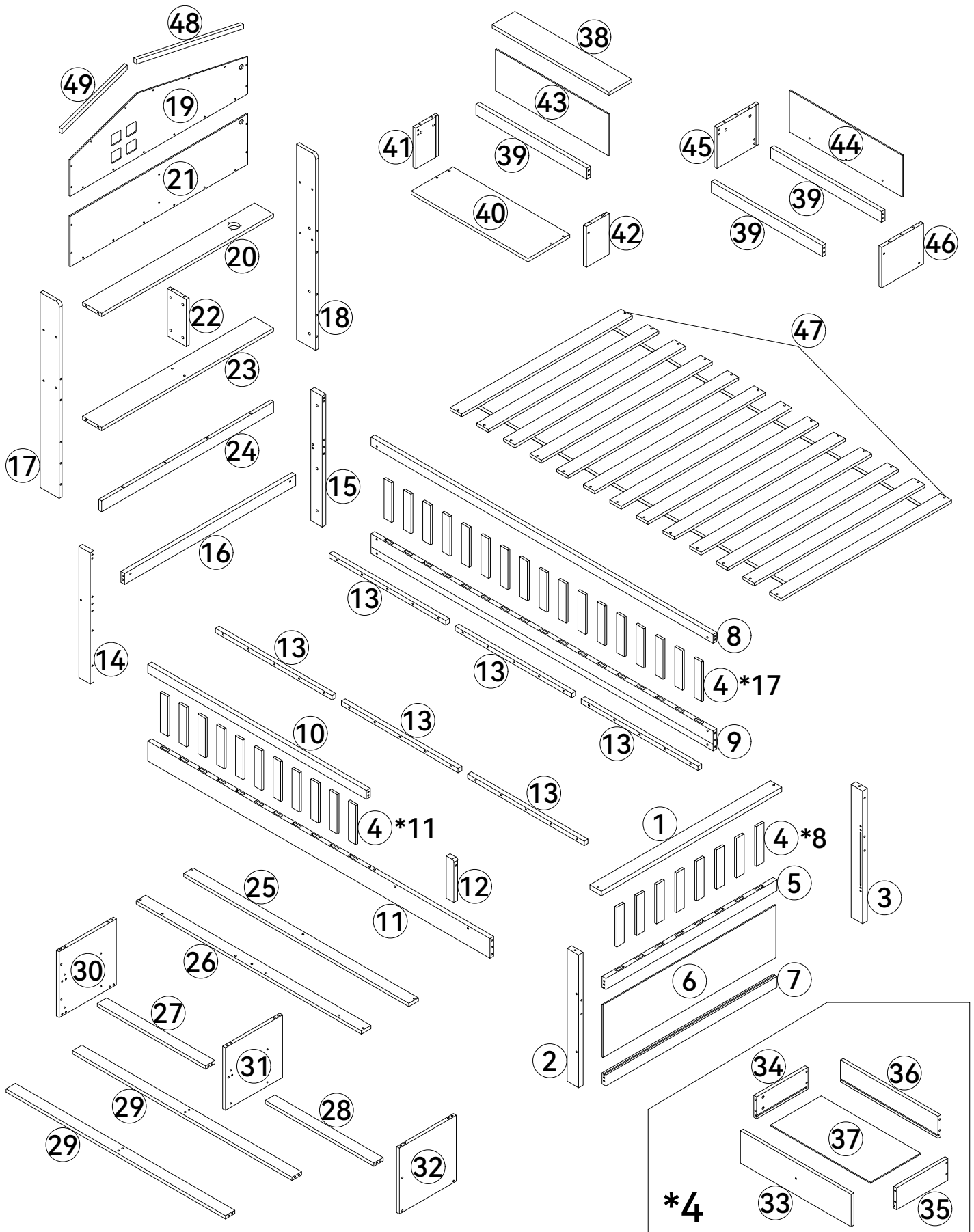
English

IMPORTANT ! KEEP FOR FUTURE REFERENCE : READ CAREFULLY

- To be assembled by an adult. Assembly must be checked by an adult before use
- **WARNING !** Keep all screws, small parts and plastic bags out of the reach of children
- Properly identify all parts before assembling
- Never use your item if any of its parts are broken or missing
- Should any problems arise, please contact our After Sales Service
- Manufacturer's instructions shall be followed at all times
- Care: Clean with a soft, dry cloth. In case of larger stains, carefully rub with a slightly damp, non-abrasive sponge
- Avoid the risk of fire by not placing furniture near sources of ignition or hot items
- Do not jump on the bed

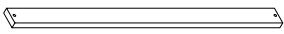

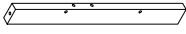

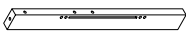
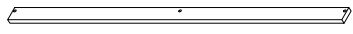

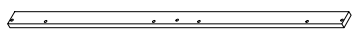

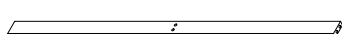




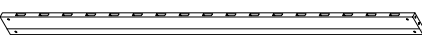


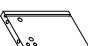

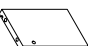

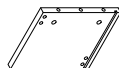
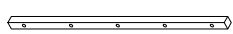
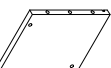
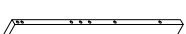
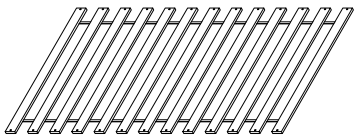
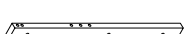



# ASSEMBLY INSTRUCTIONS




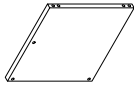
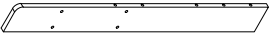
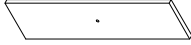

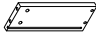
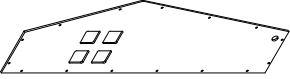

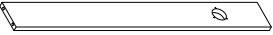

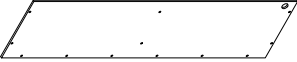

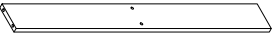


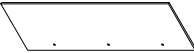


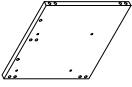

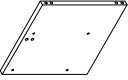
# ASSEMBLY INSTRUCTIONS

## N652P434083

1		1PC	22		1PC
2		1PC	24		1PC
3		1PC	25		1PC
4		36PCS	26		1PC
5		1PC	29		2PCS
7		1PC	38		1PC
8		1PC	39		3PCS
9		1PC	40		1PC
10		1PC	41		1PC
11		1PC	42		1PC
12		1PC	45		1PC
13		6PCS	46		1PC
14		1PC	47		1PC
15		1PC			
16		1PC			










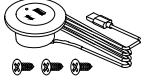
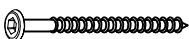


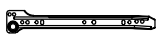
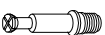





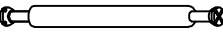


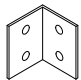
# ASSEMBLY INSTRUCTIONS

## N652P434084

<b>6</b>		<b>1PC</b>	<b>32</b>		<b>1PC</b>
<b>17</b>		<b>1PC</b>	<b>33</b>		<b>4PCS</b>
<b>18</b>		<b>1PC</b>	<b>34</b>		<b>4PCS</b>
<b>19</b>		<b>1PC</b>	<b>35</b>		<b>4PCS</b>
<b>20</b>		<b>1PC</b>	<b>36</b>		<b>4PCS</b>
<b>21</b>		<b>1PC</b>	<b>37</b>		<b>4PCS</b>
<b>23</b>		<b>1PC</b>	<b>43</b>		<b>1PC</b>
<b>27</b>		<b>1PC</b>	<b>44</b>		<b>1PC</b>
<b>28</b>		<b>1PC</b>	<b>48</b>		<b>1PC</b>
<b>30</b>		<b>1PC</b>	<b>49</b>		<b>1PC</b>
<b>31</b>		<b>1PC</b>			

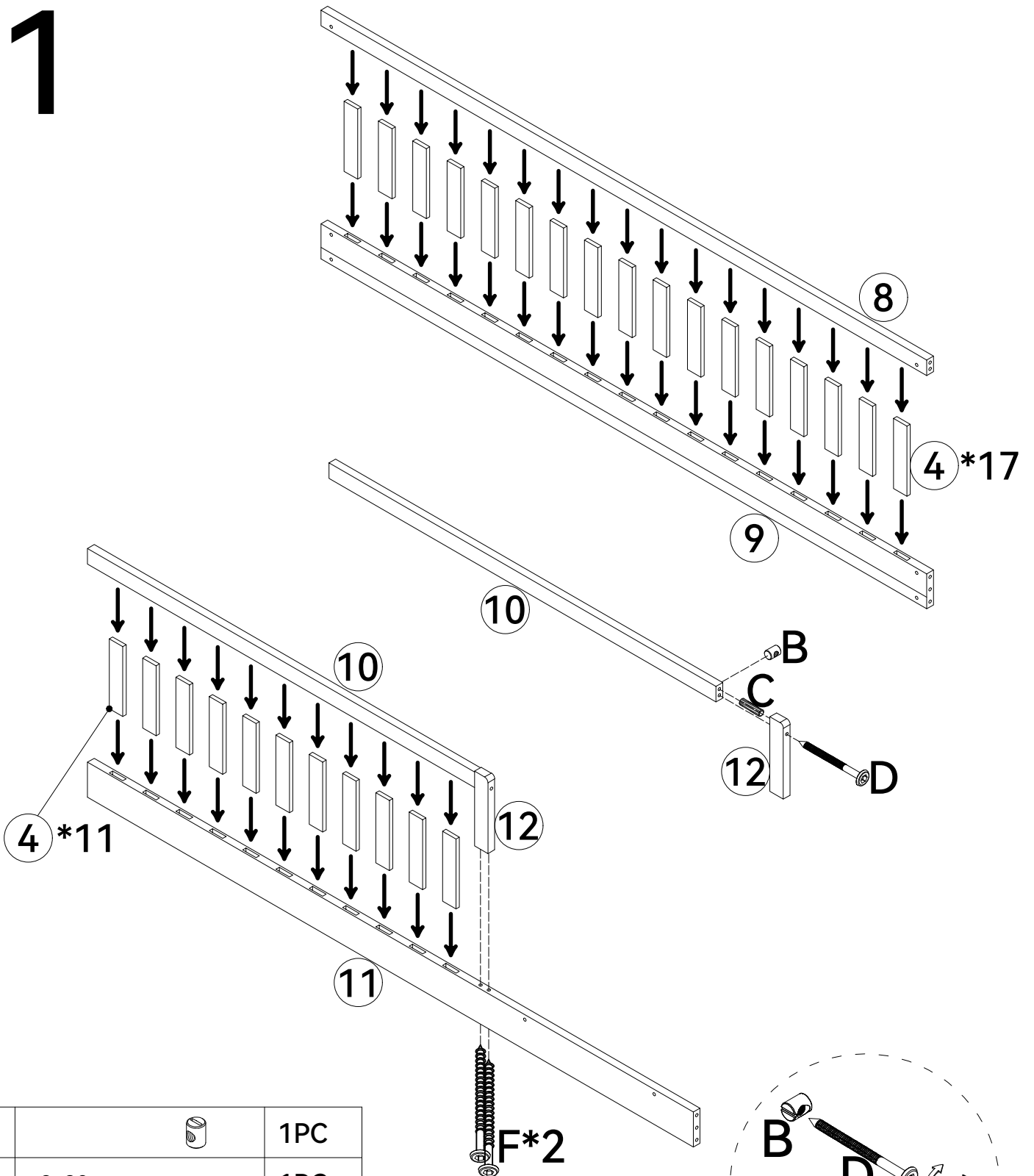
# ASSEMBLY INSTRUCTIONS

## N652P434084

<b>A</b>	6x100		11PCS	<b>M</b>	3.5x12		36PCS
<b>B</b>			18PCS	<b>N</b>			4PCS
<b>C</b>	Ø8x30		40PCS	<b>O</b>			4PCS
<b>D</b>	6x80		1PC	<b>P</b>	M4		1PC
<b>E</b>	7x50		42PCS	<b>Q</b>			1PC
<b>F</b>	6x100		2PCS	<b>R</b>			1PC
<b>G</b>	6x70		6PCS	<b>S</b>	CL		4PCS
<b>H</b>			32PCS		CR		4PCS
<b>I</b>			46PCS		DL		4PCS
<b>J</b>	3.5x16		30PCS		DR		4PCS
<b>K</b>			7PCS	<b>T</b>	Ø8x40		1PC
<b>L</b>	4x30		72PCS	<b>U</b>			1PC

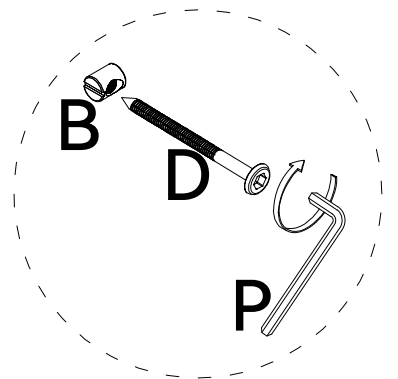
# ASSEMBLY INSTRUCTIONS

# 1



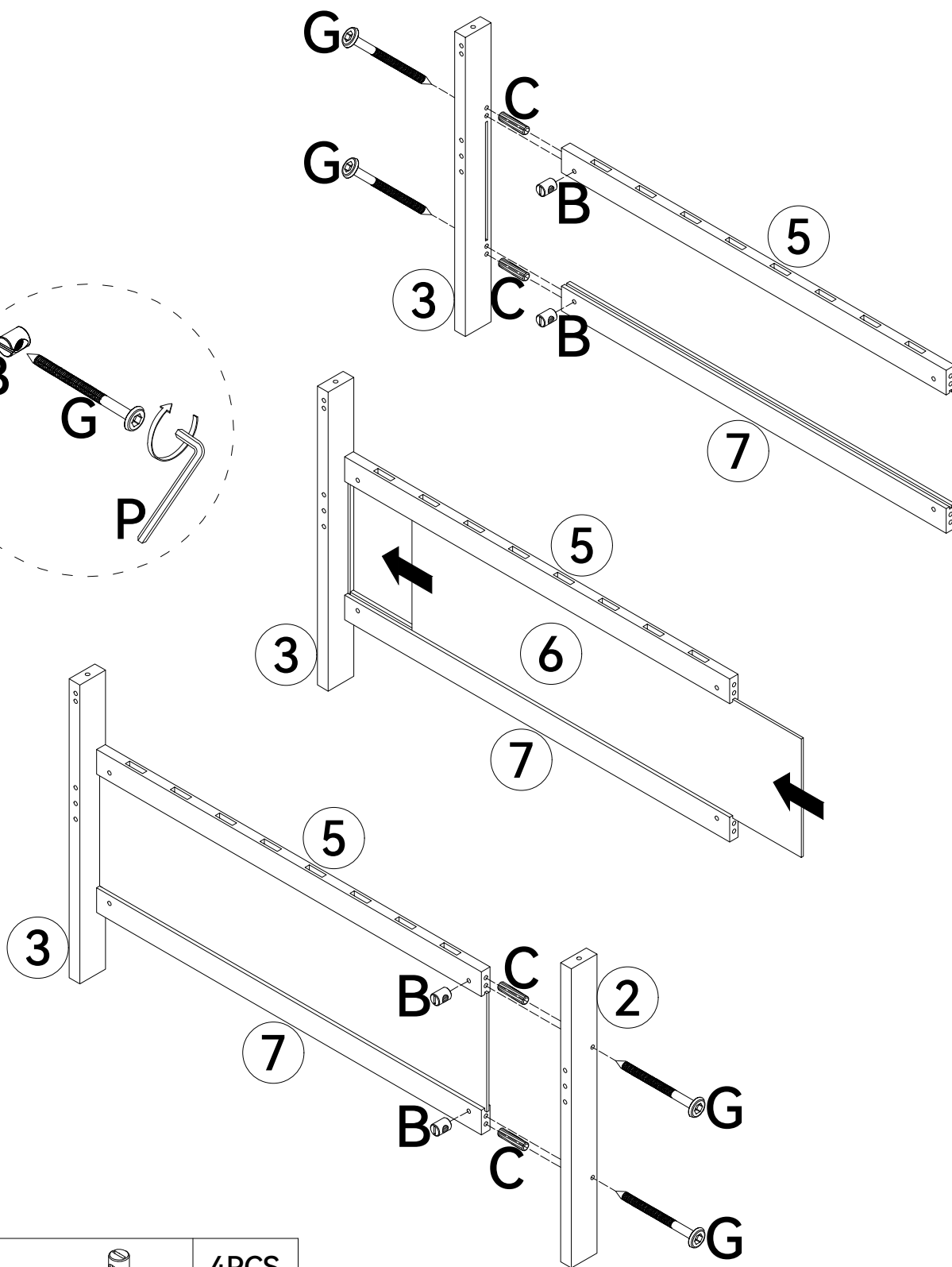
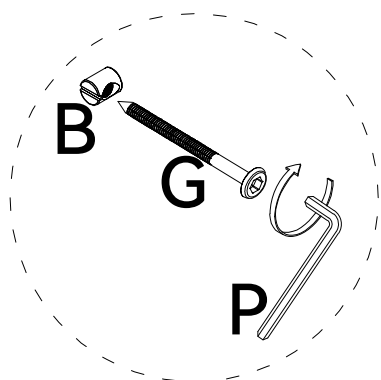
B		1PC
C	$\varnothing 8 \times 30$ 	1PC
D	6x80 	1PC
F	6x100 	2PCS
P	M4 	1PC





A	6x100 
G	6x70 
T	$\varnothing 8 \times 40$ 






# ASSEMBLY INSTRUCTIONS

# 2

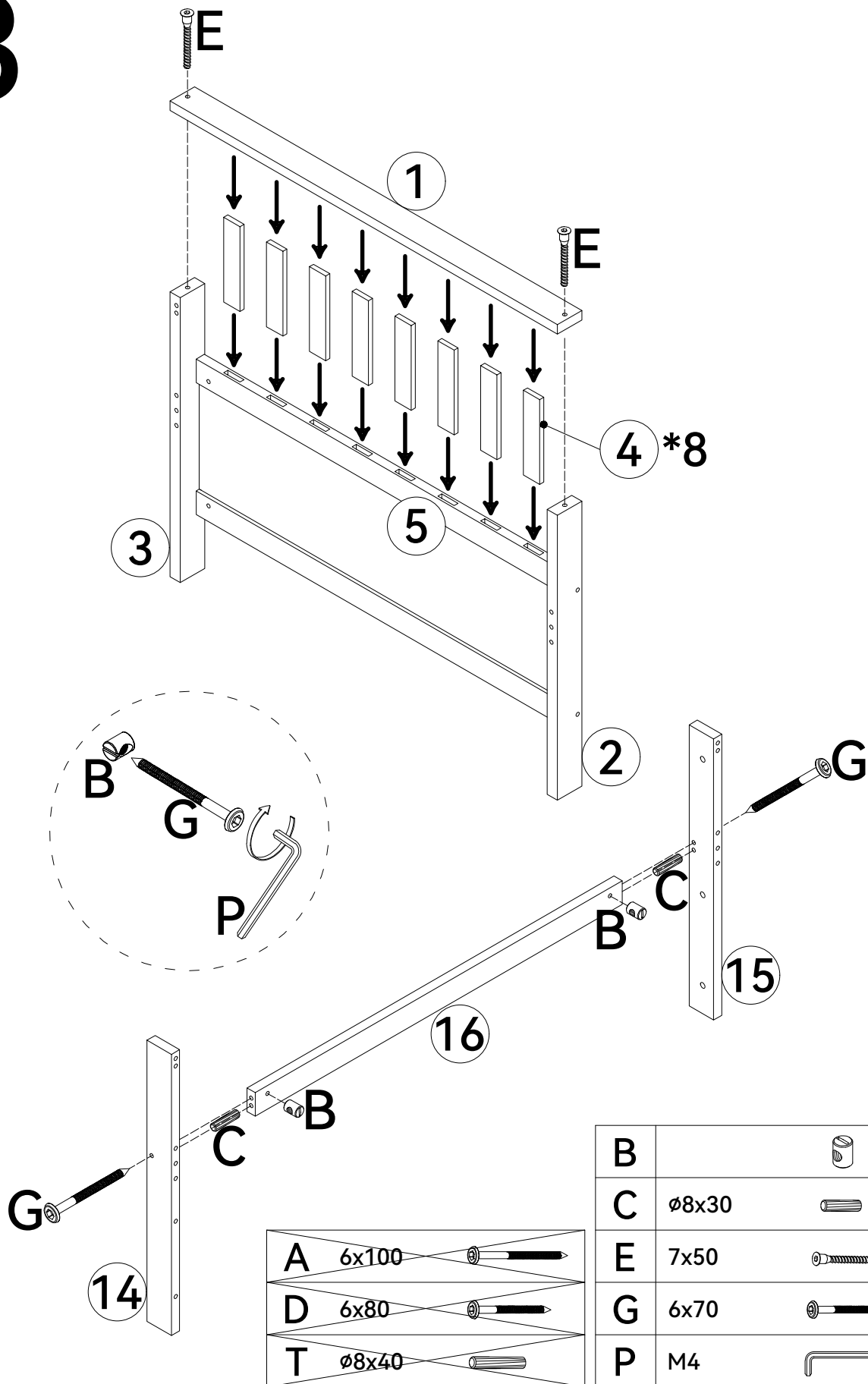




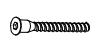


<b>B</b>			4PCS
<b>C</b>	ø8x30		4PCS
<b>G</b>	6x70		4PCS
<b>P</b>	M4		1PC




<b>A</b>	6x100	
<b>D</b>	6x80	
<b>T</b>	ø8x40	

# ASSEMBLY INSTRUCTIONS

# 3

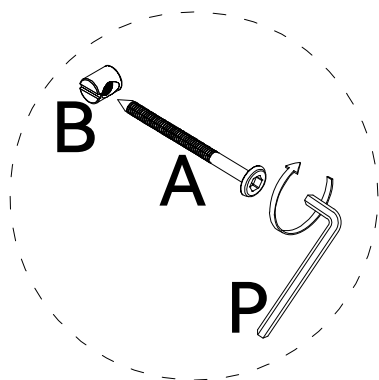
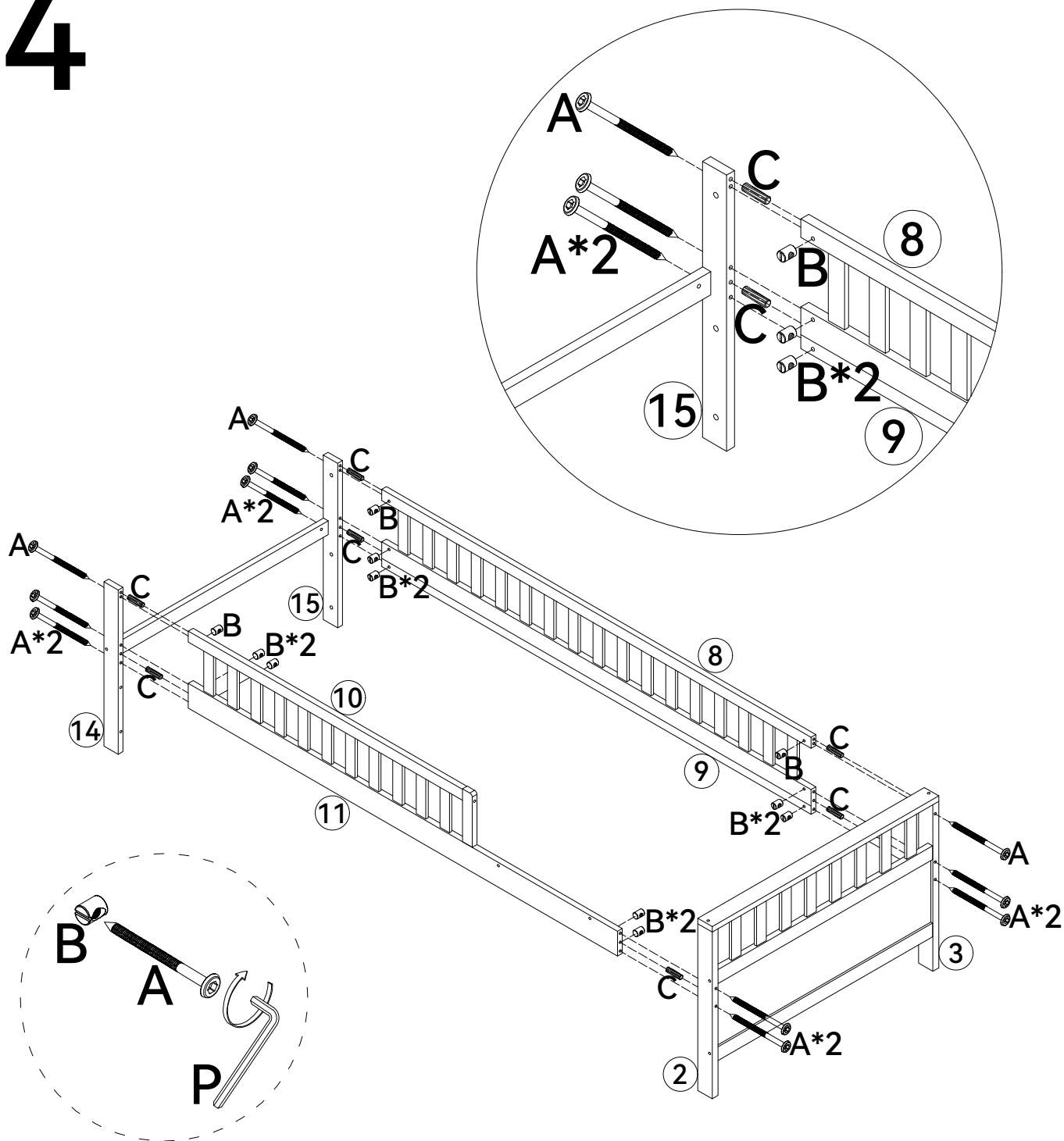


B			2PCS
C	ø8x30		2PCS
E	7x50		2PCS
G	6x70		2PCS
P	M4		1PC

A	6x100	
D	6x80	
T	ø8x40	

# ASSEMBLY INSTRUCTIONS

# 4

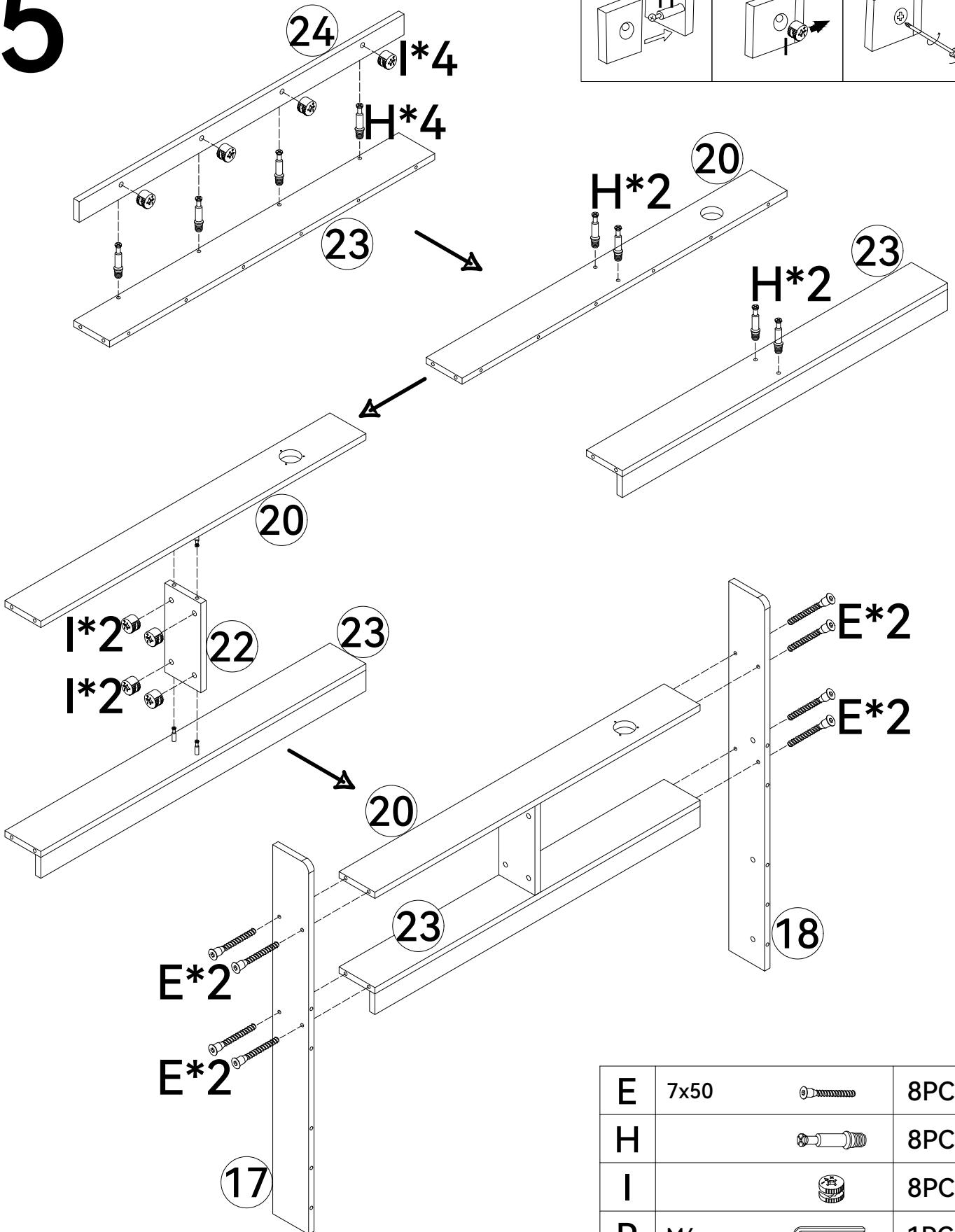
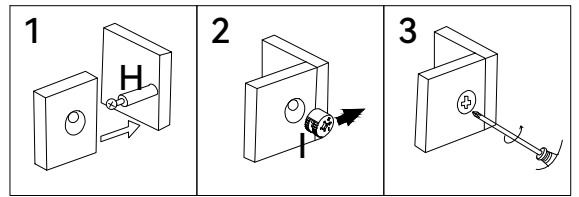


<b>A</b>	6x100		11PCS
<b>B</b>			11PCS
<b>C</b>	ø8x30		7PCS
<b>P</b>	M4		1PC

<b>G</b>	6x70	
<b>D</b>	6x80	
<b>T</b>	ø8x40	

# ASSEMBLY INSTRUCTIONS

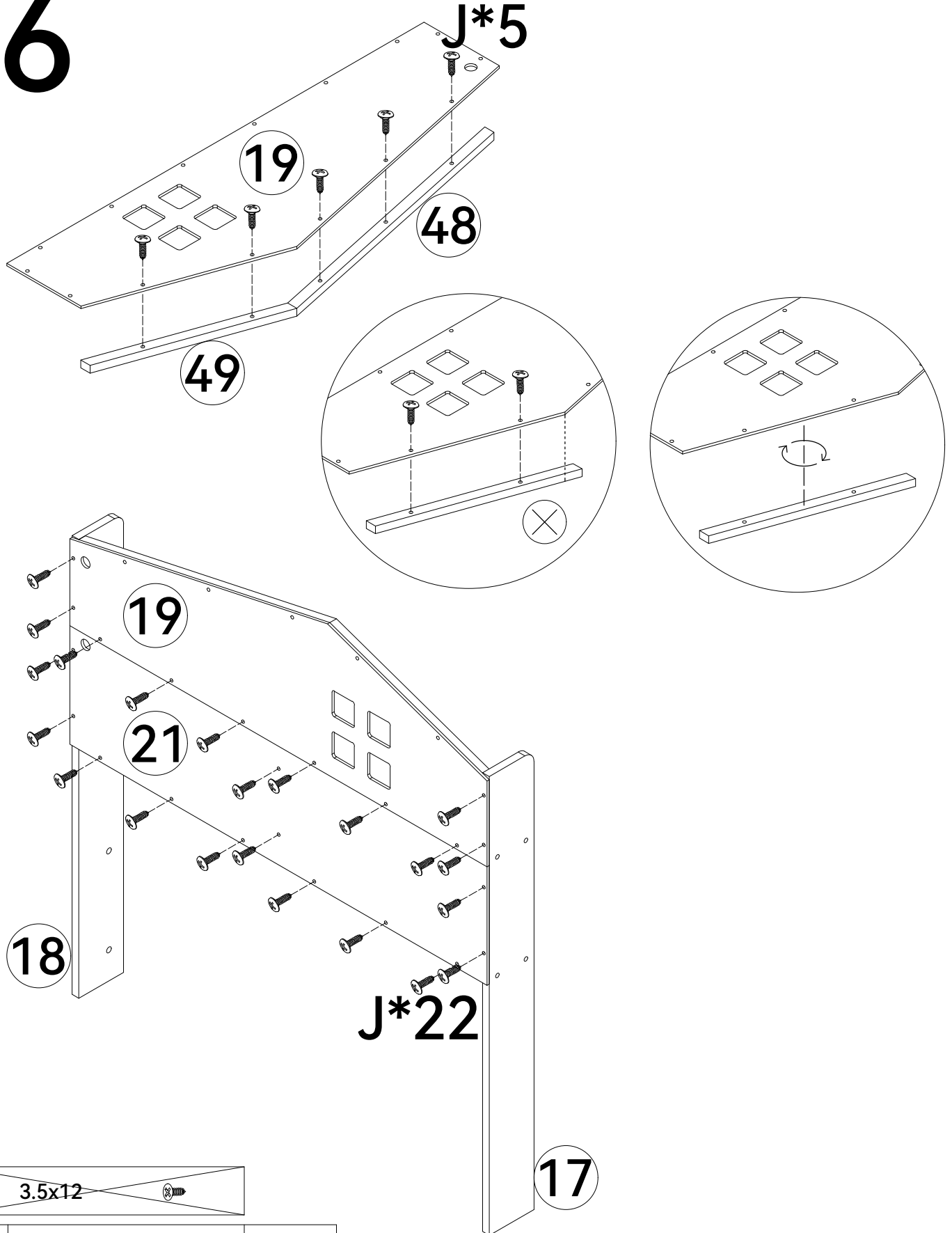
# 5




E	7x50		8PCS
H			8PCS
I			8PCS
P	M4		1PC

# ASSEMBLY INSTRUCTIONS

# 6

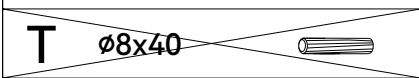
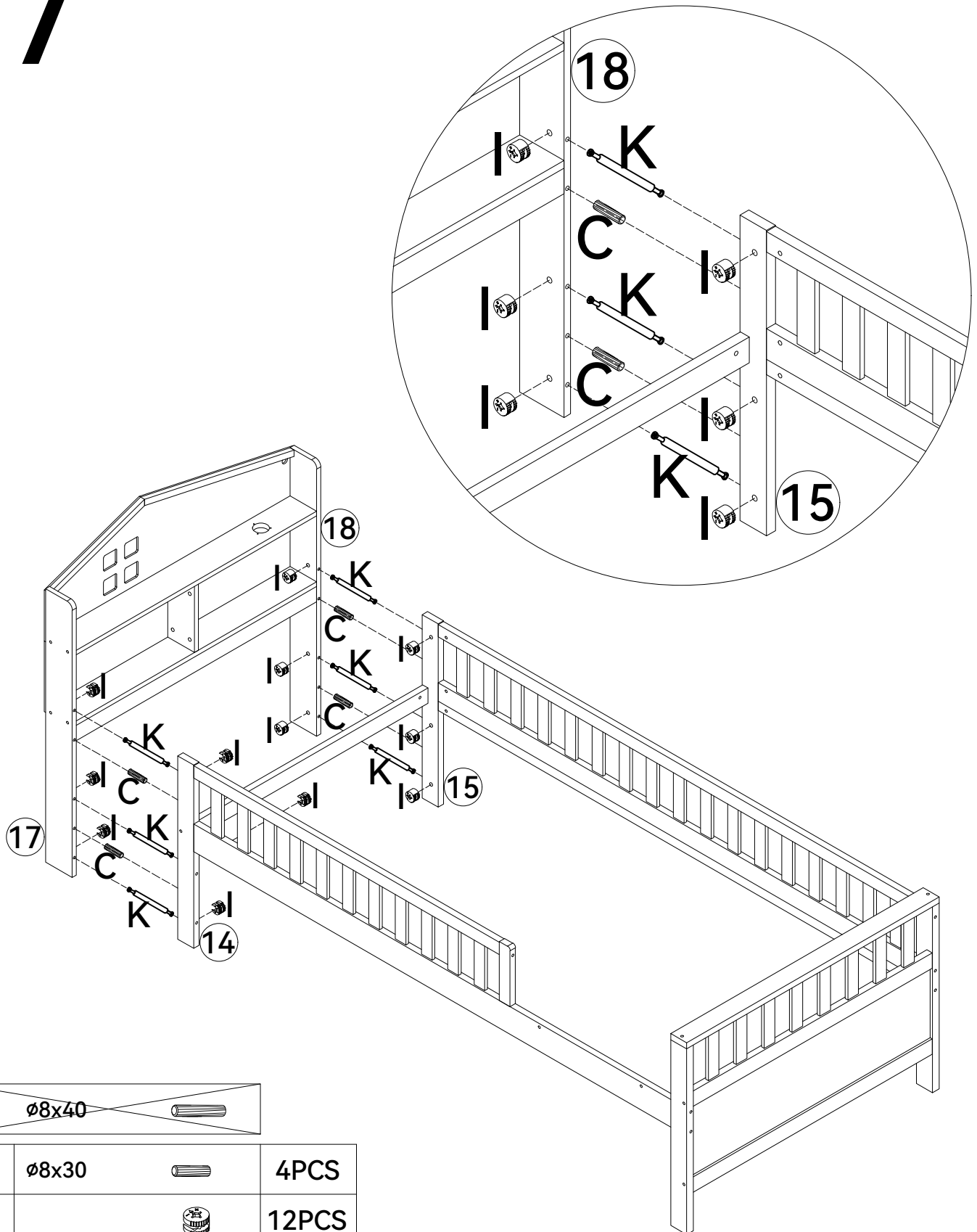




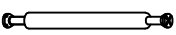
**M** 3.5x12 

**J** 3.5x16  **27PCS**

# ASSEMBLY INSTRUCTIONS

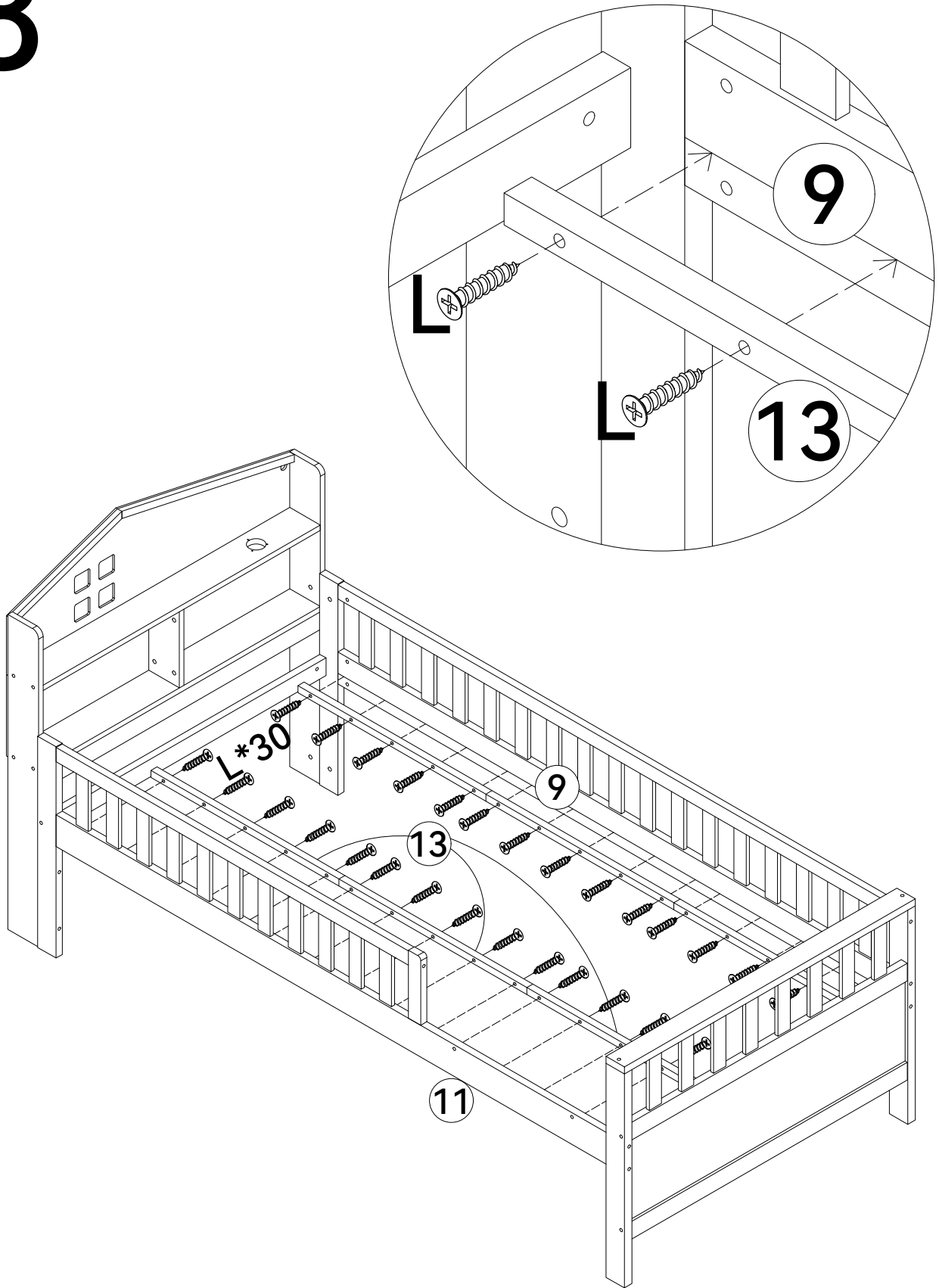
# 7



<b>C</b>	ø8x30		4PCS
<b>I</b>			12PCS
<b>K</b>			6PCS

# ASSEMBLY INSTRUCTIONS

# 8



L

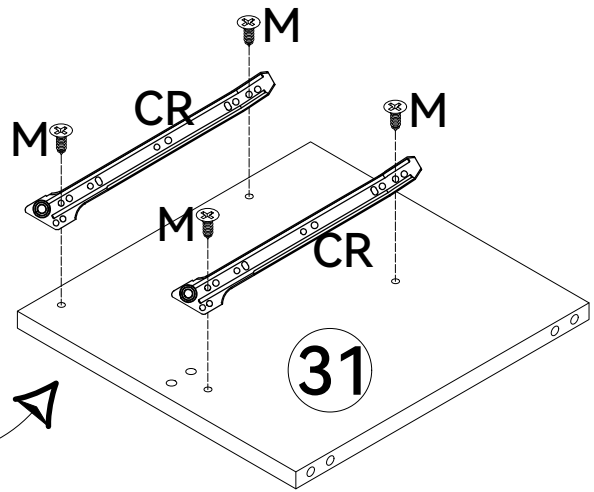
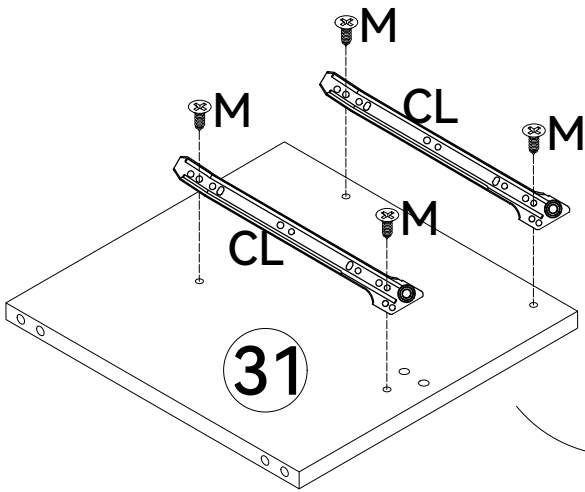
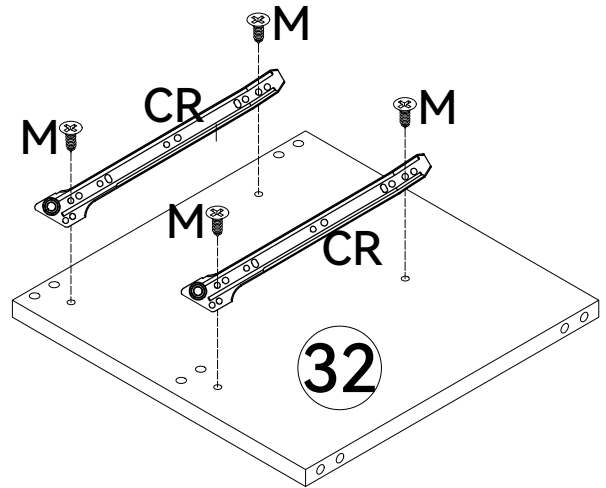
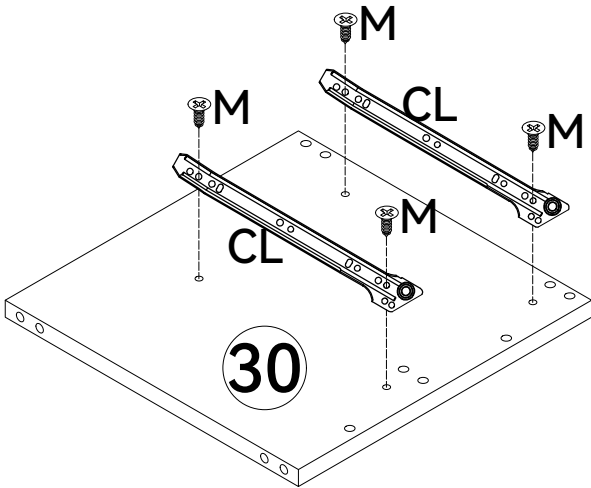
4x30



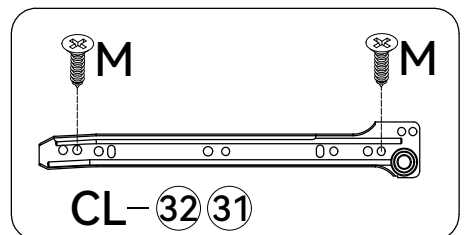
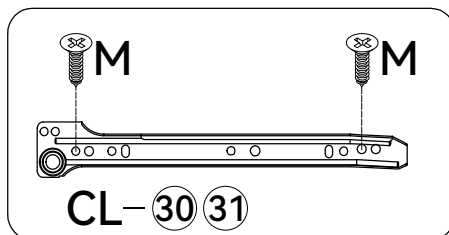
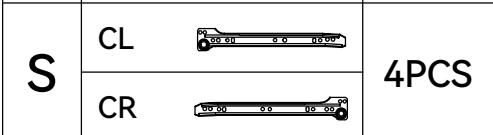
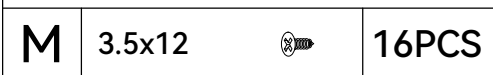
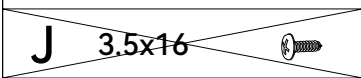
30PCS

# ASSEMBLY INSTRUCTIONS

# 9

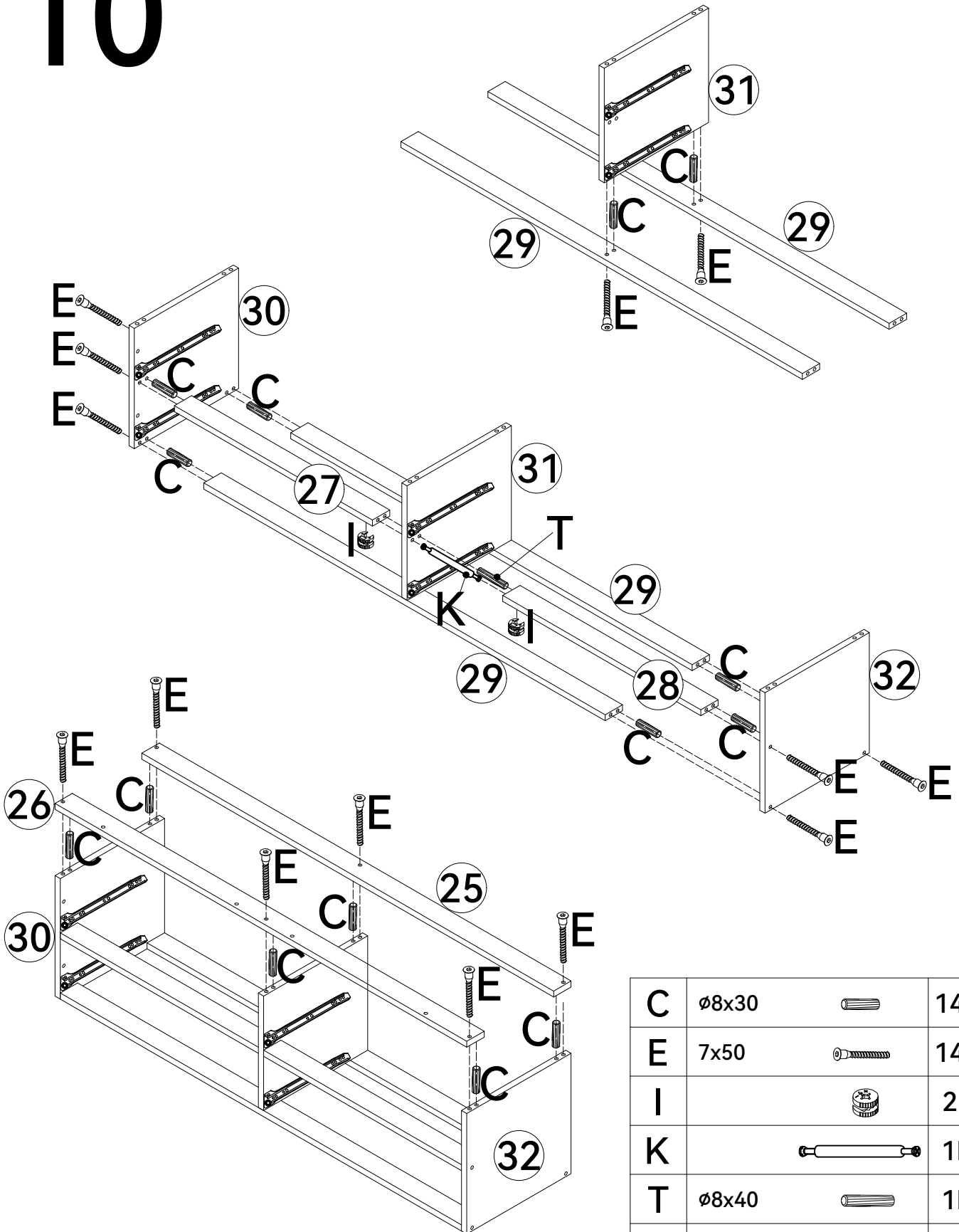





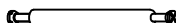


180°



# ASSEMBLY INSTRUCTIONS

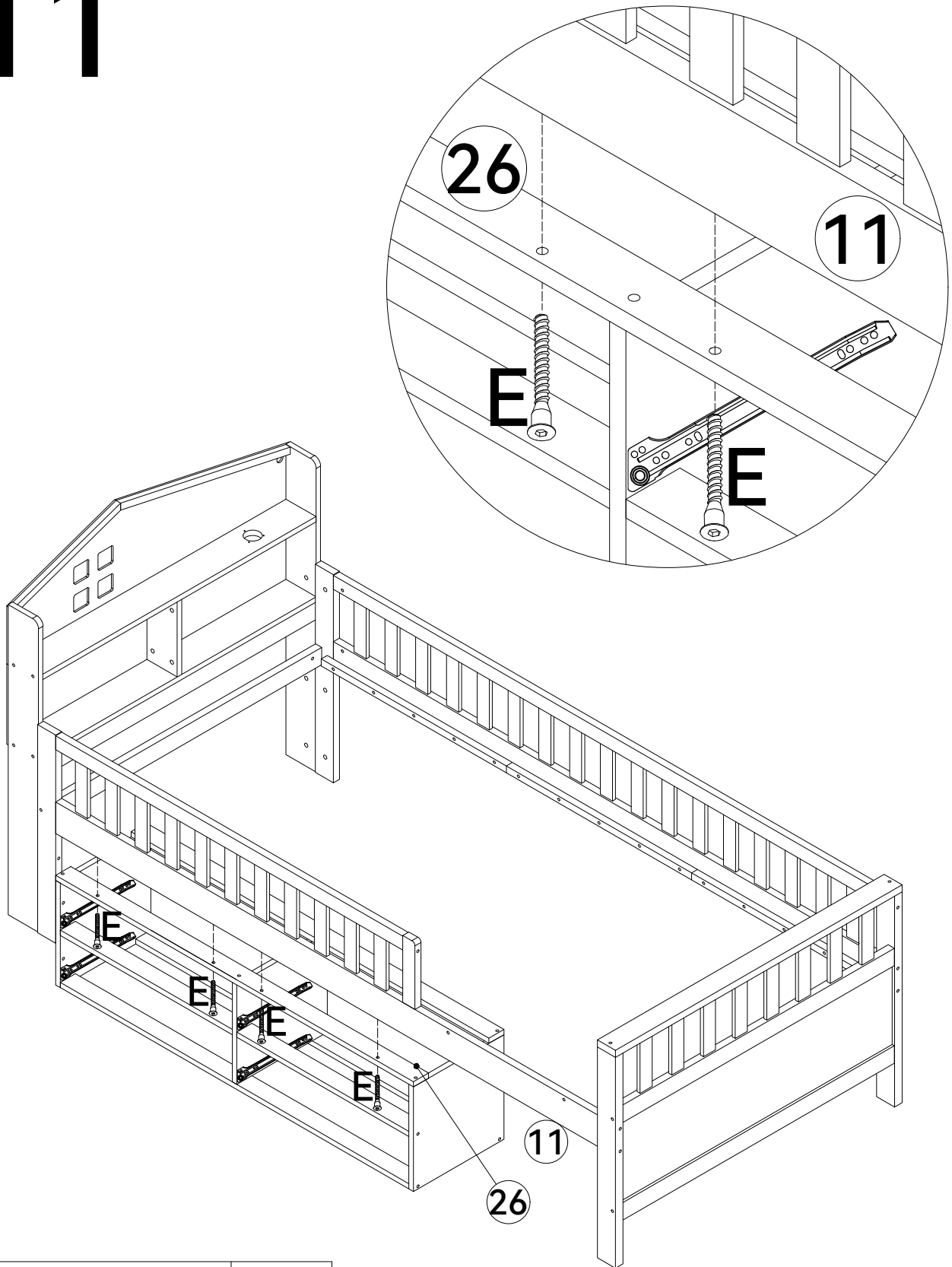
# 10

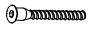



C	ø8x30		14PCS
E	7x50		14PCS
I			2PCS
K			1PC
T	ø8x40		1PC
P	M4		1PC

# ASSEMBLY INSTRUCTIONS

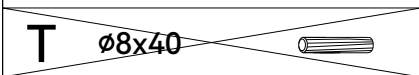
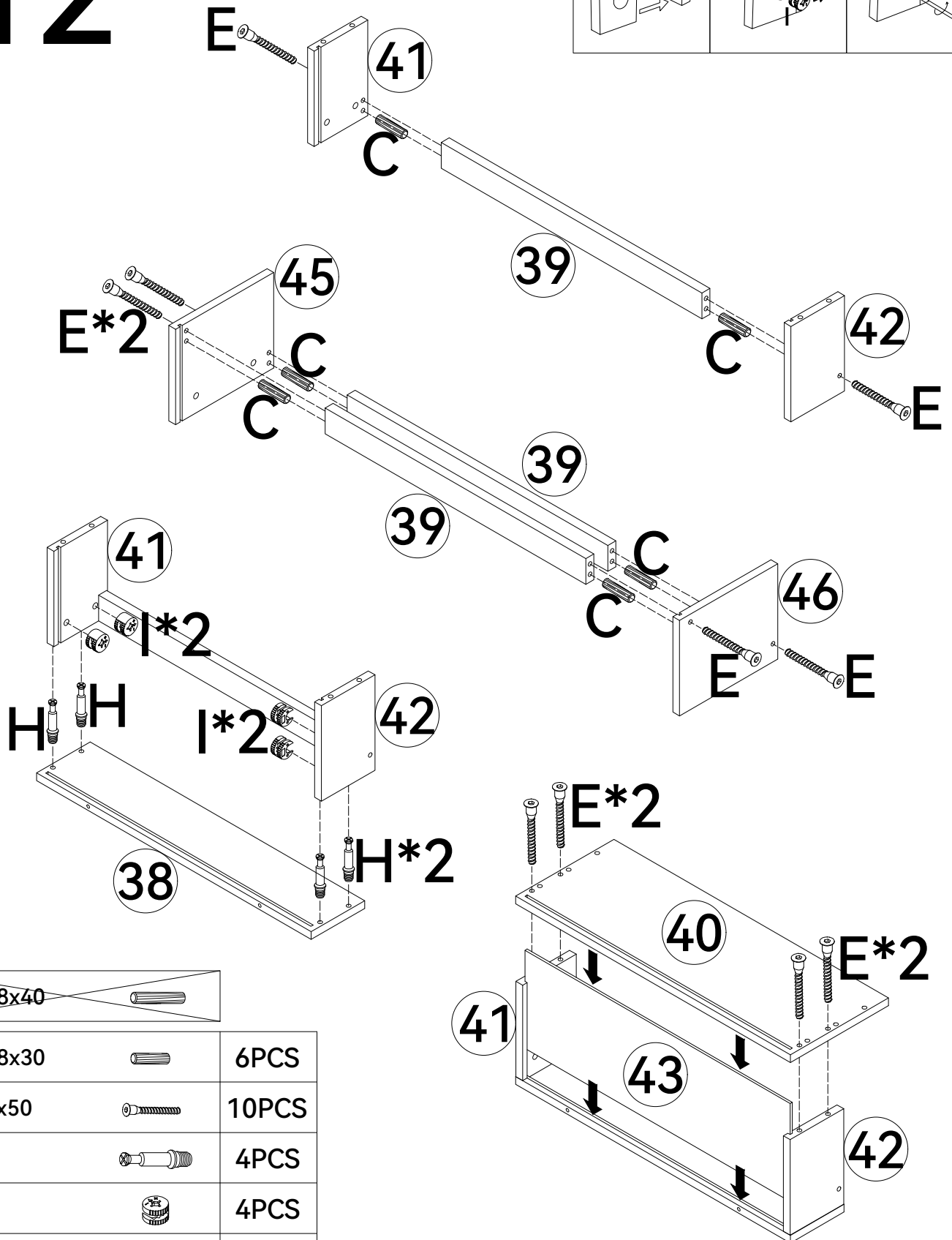
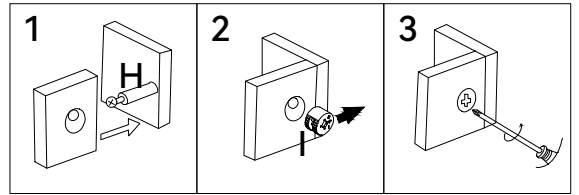
# 11



E	7x50		4PCS
P	M4		1PC

# ASSEMBLY INSTRUCTIONS

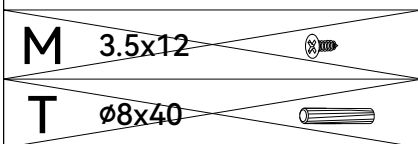
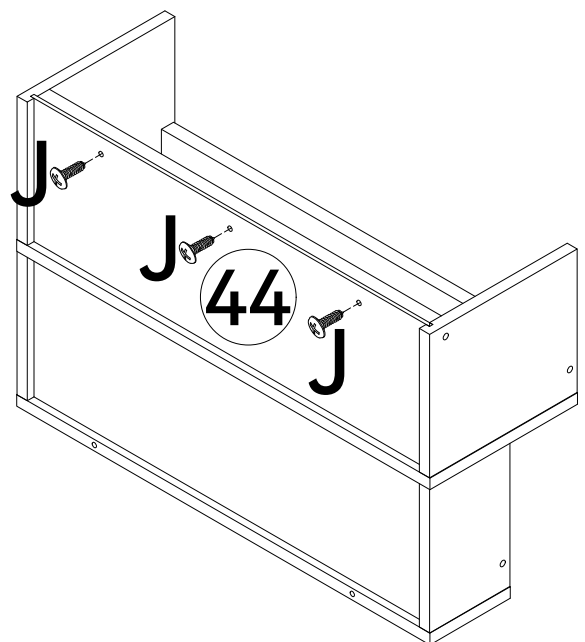
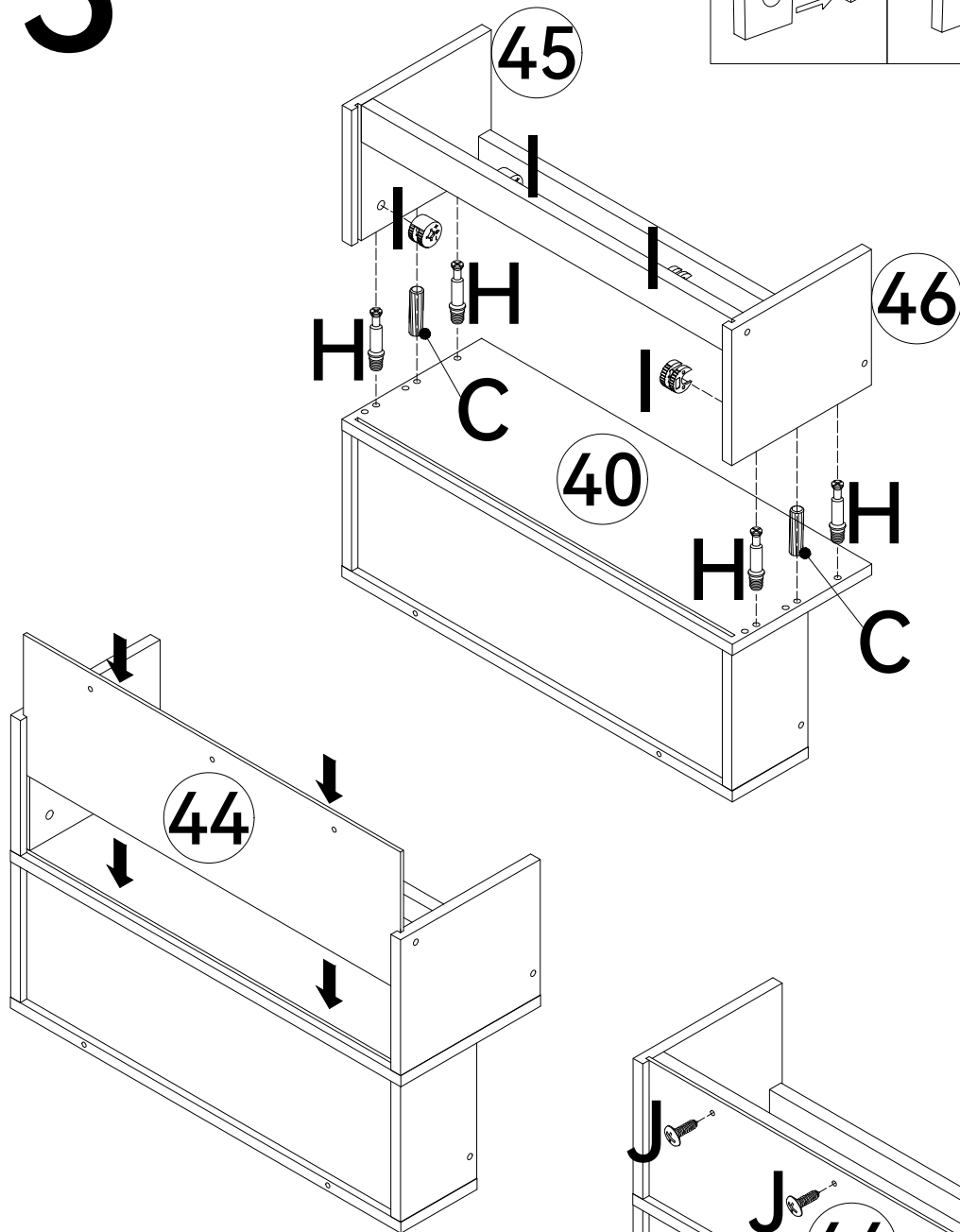
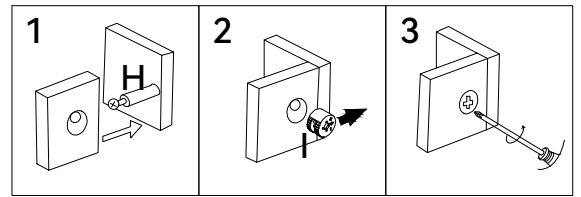
# 12


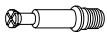




C	ø8x30		6PCS
E	7x50		10PCS
H			4PCS
I			4PCS
P	M4		1PC

# ASSEMBLY INSTRUCTIONS

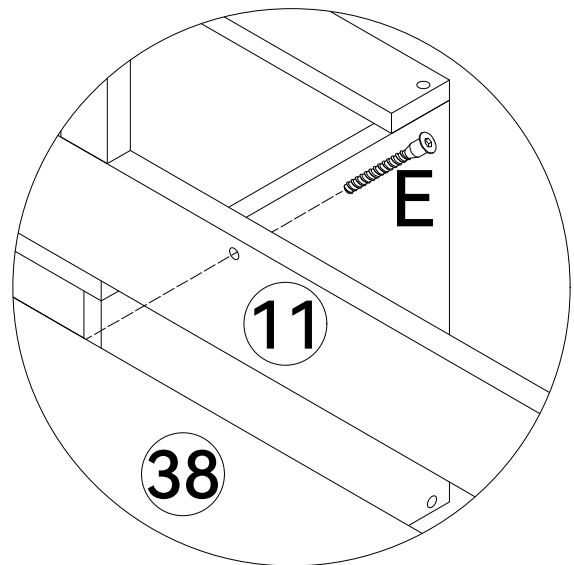
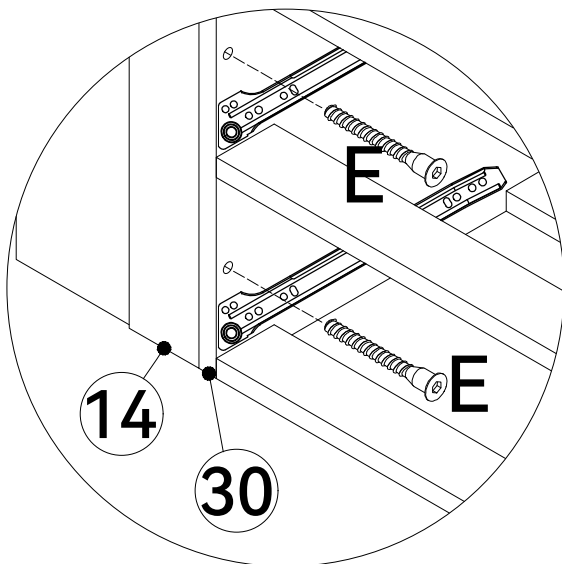
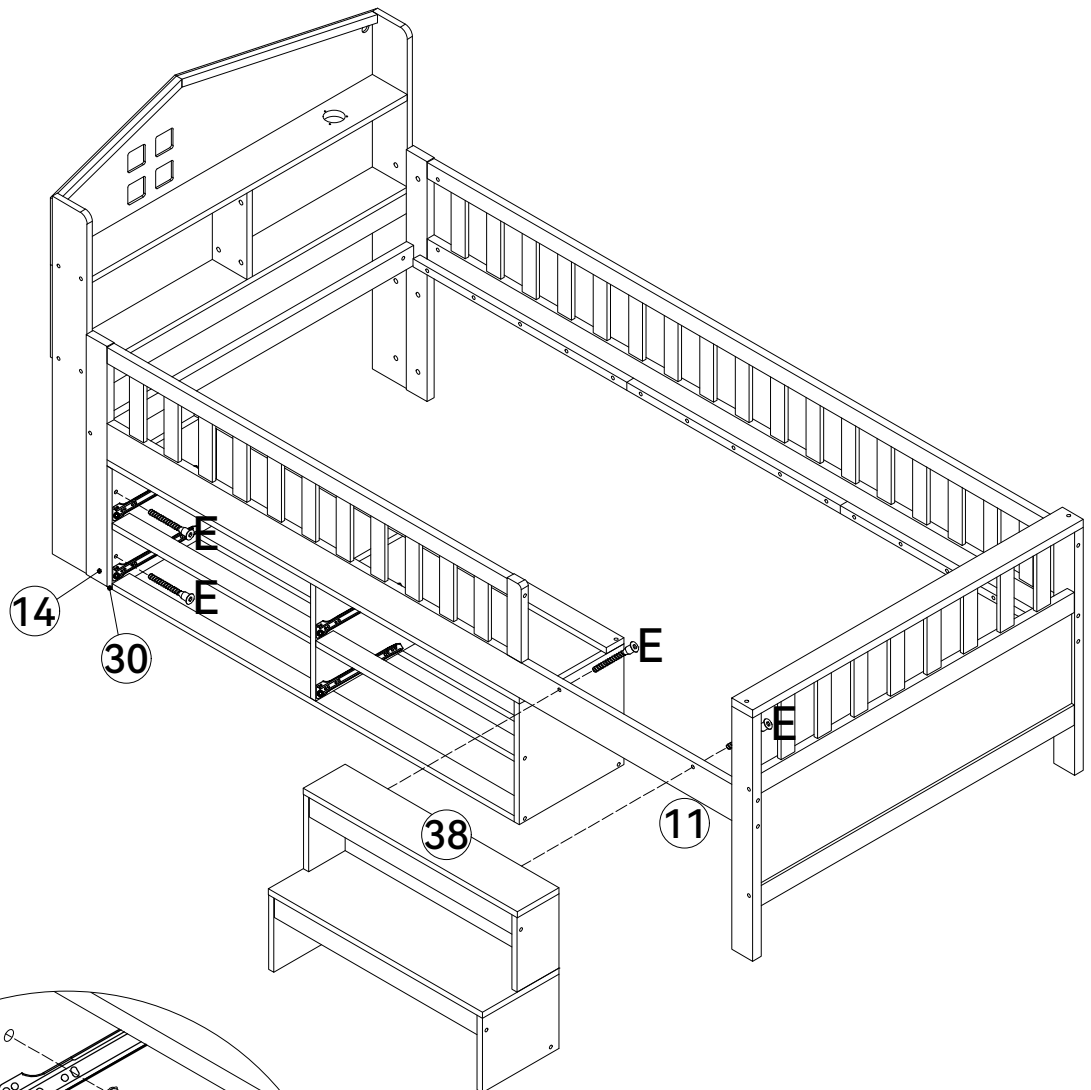
# 13

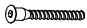



<b>C</b>	ø8x30		2PCS
<b>H</b>			4PCS
<b>I</b>			4PCS
<b>J</b>	3.5x16		3PCS

# ASSEMBLY INSTRUCTIONS

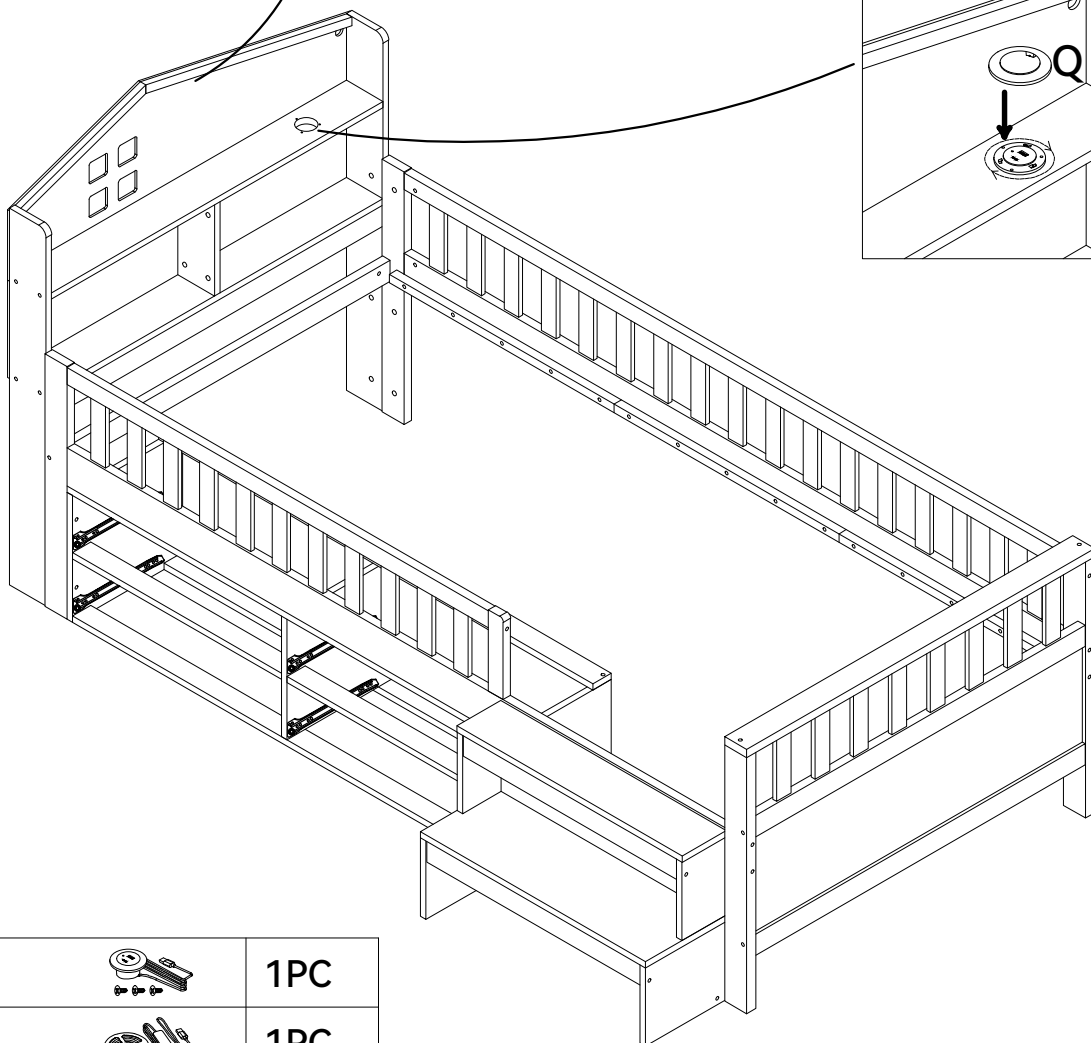
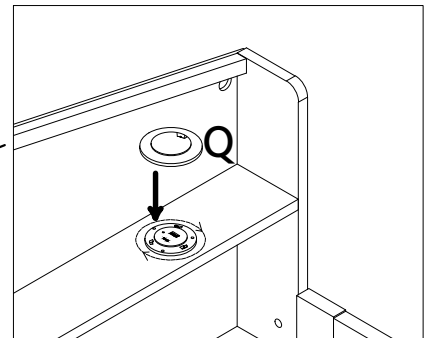
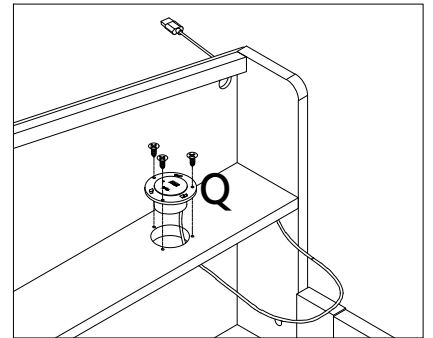
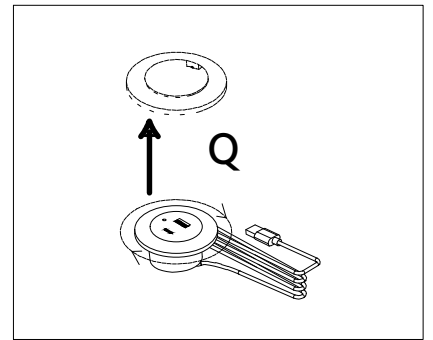
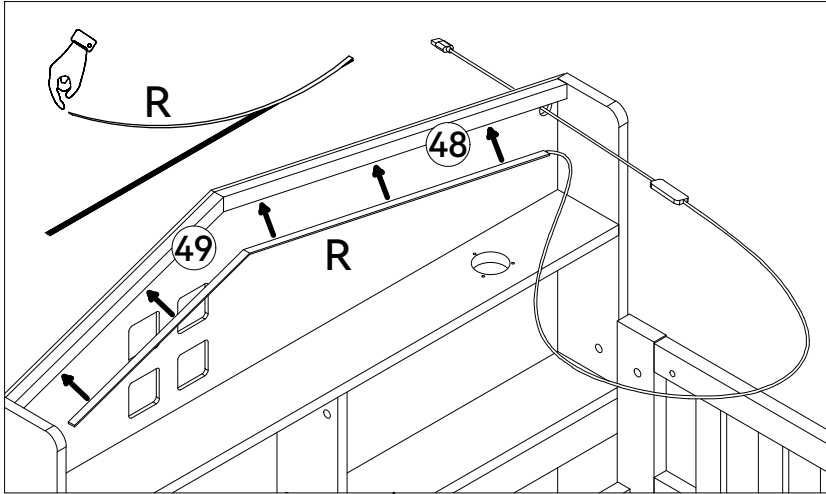
# 14





E	7x50		4PCS
P	M4		1PC

# ASSEMBLY INSTRUCTIONS

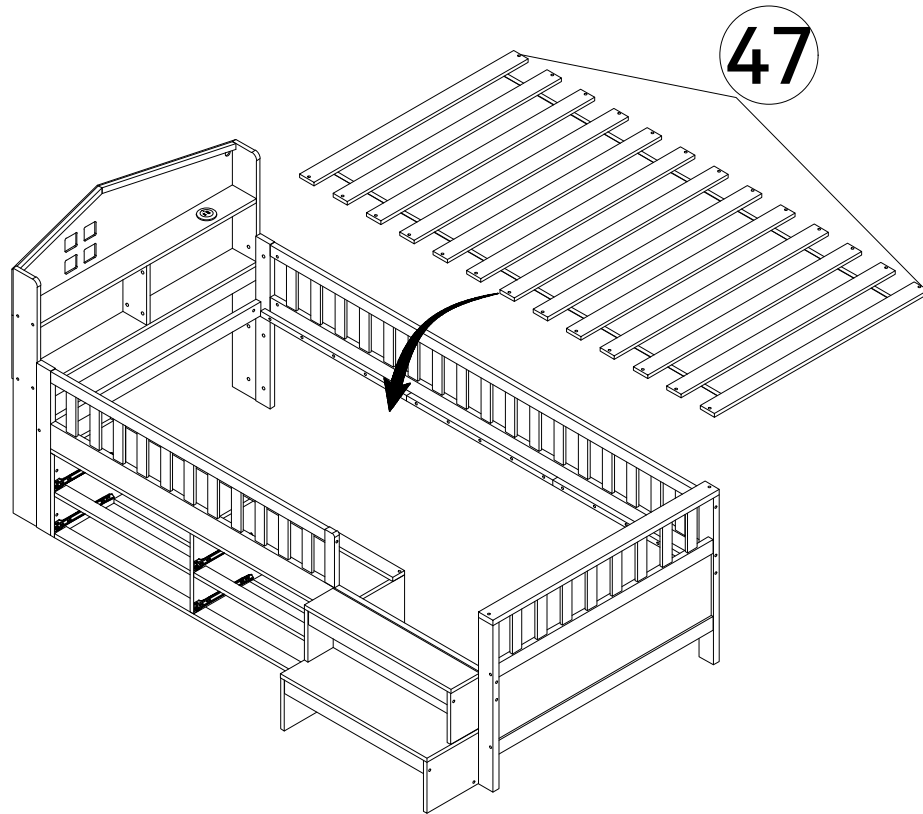
# 15



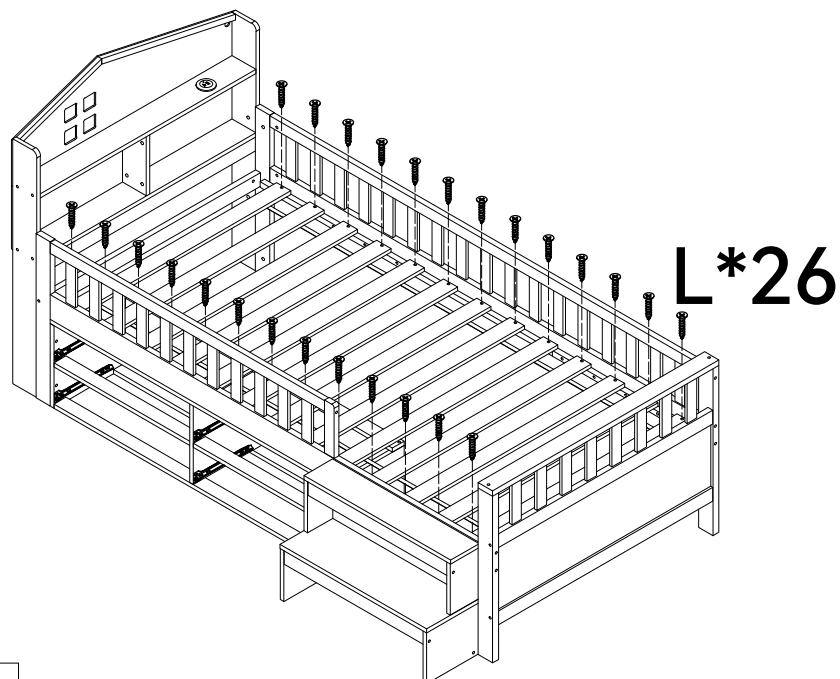
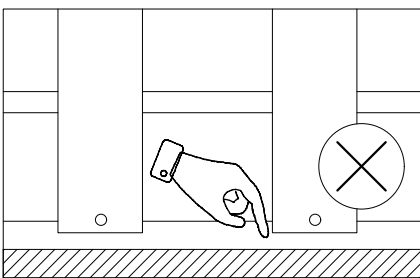
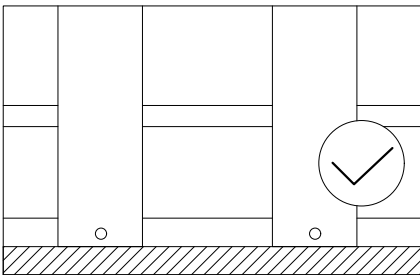
Q		1PC
R		1PC

# ASSEMBLY INSTRUCTIONS

# 16



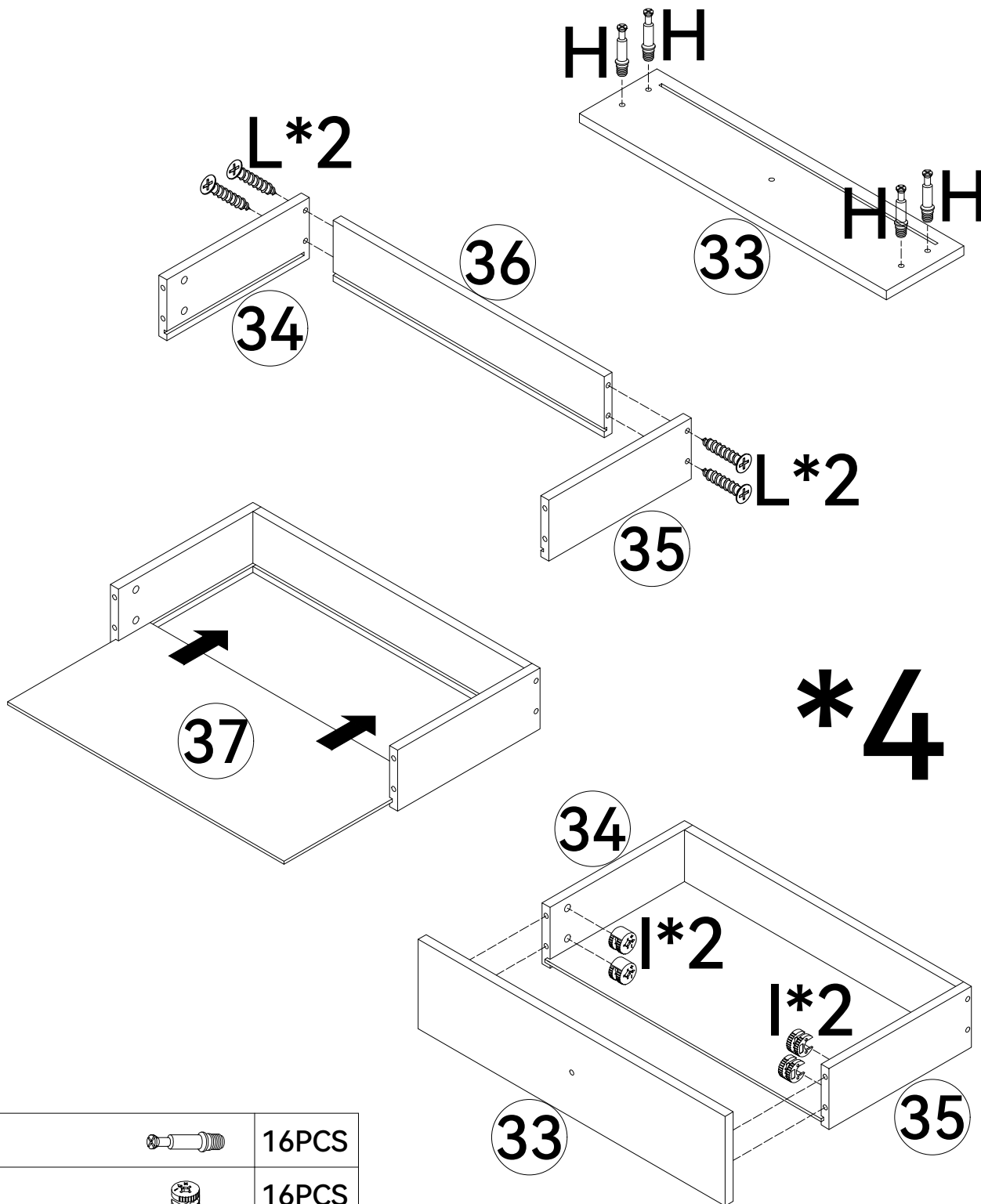
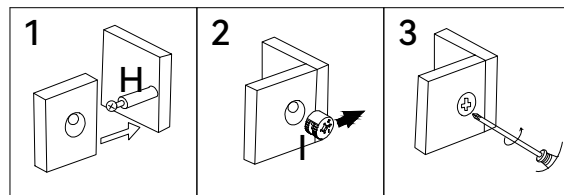
**"IMPORTANT NOTE: When installing the bed slats, they should be flush against the bed frame, avoiding any gaps between the slats and the frame to ensure sufficient stability."**

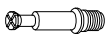




L	4x30		26PCS
---	------	---	-------

# ASSEMBLY INSTRUCTIONS

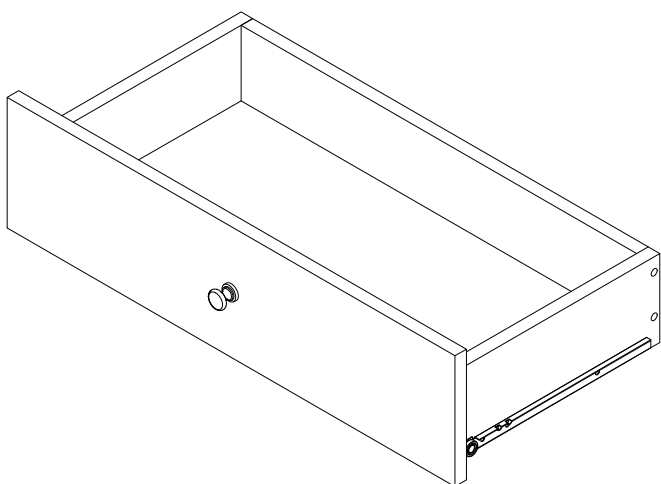
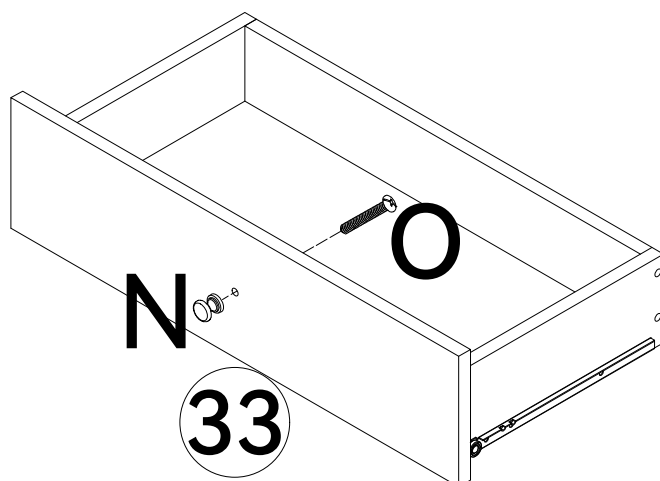
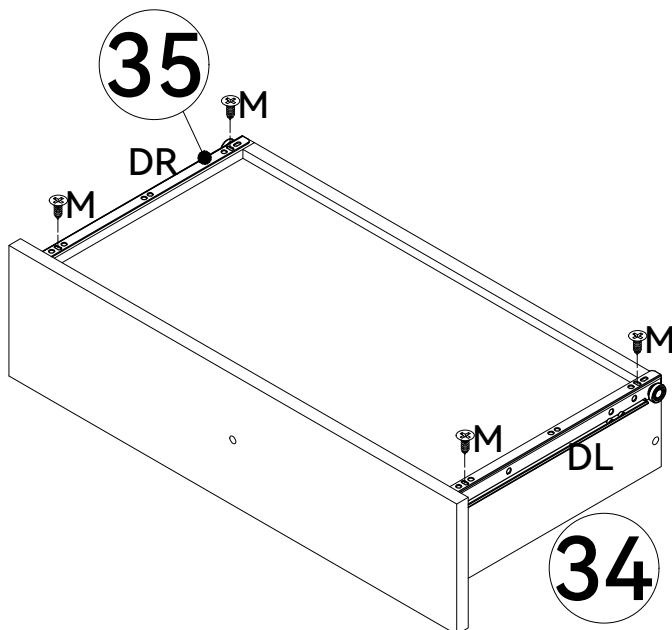
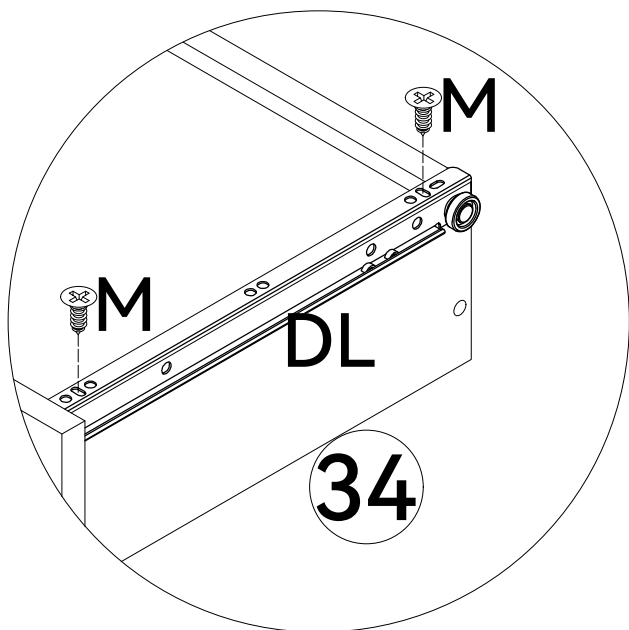
# 17









H		16PCS
I		16PCS
L	4x30 	16PCS

# ASSEMBLY INSTRUCTIONS

# 18

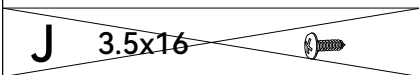
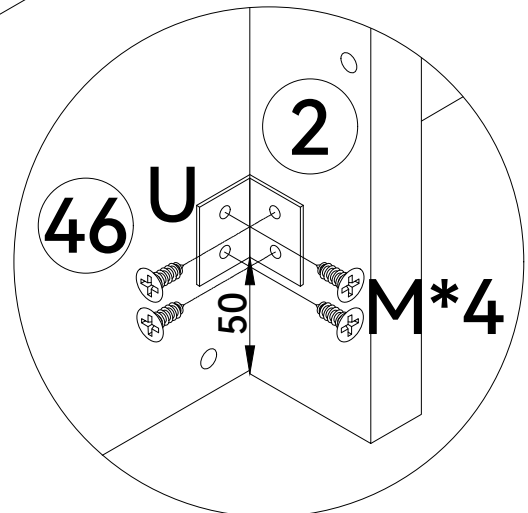
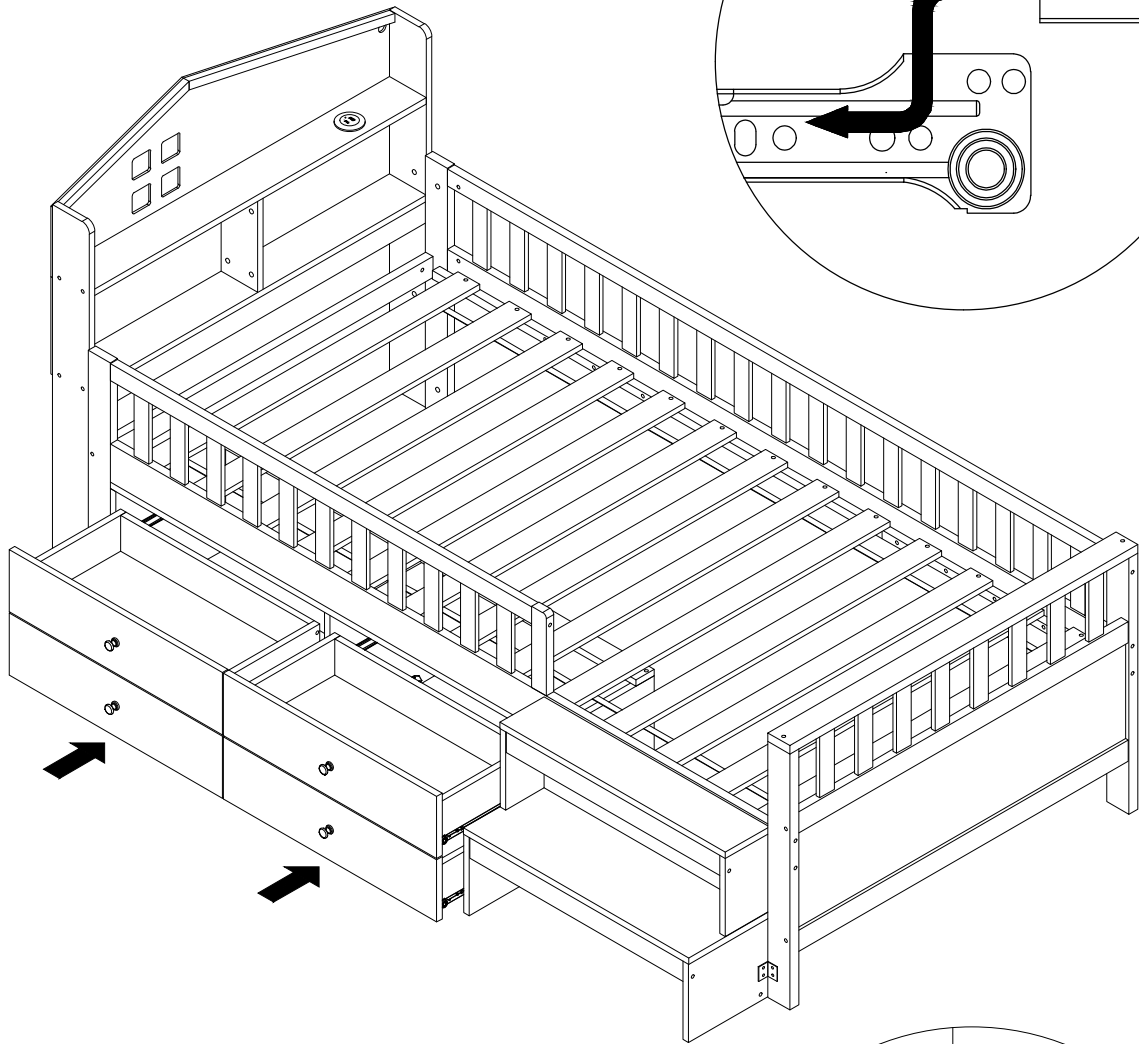


# \*4

<b>M</b>	3.5x12		16PCS	<b>J</b>	3.5x16		
<b>S</b>	DL		4PCS	<b>N</b>			4PCS
	DR			<b>O</b>			4PCS

# ASSEMBLY INSTRUCTIONS

# 19



<b>J</b>	3.5x16		
<b>M</b>	3.5x12		4PCS
<b>U</b>			1PC

# LotusLantern APP Manual

## 1. Software Overview

### 1.1 Overview

LotusLantern is a mobile APP to control LED strip by both Apple and Android phones.

The traditional control ways like infrared, 433MHz, 2.4GHz and others old wired ways will be replaced by mobile phone control way with convenient, powerful and scalable features.

Through this mobile APP, you can not only control the color, brightness and color temperature of the LED strips but also set up all kinds of fancy flash mode; Also this APP can change the light of the LED strip according to the rhythm of the music. This APP can set and control several LED strips through Bluetooth and the operation is very simple, easy to learn and easy to use.

### 1.2 Features

- Adjust color LED strips with 60,000 colors to change color and brightness and adjust monochrome LED strips to change brightness and color temperature
- Play music or turn on a sound playback device, you can let the light change the color and brightness with the rhythm of music, the music rhythm beautiful
- Inside multiple setting mode for color change and control LED strips without mobile
- Long distance control with omni-directional antenna, and many-to-many group control mode
- Once the connection is successful, connect automatically next time

### 1.3 Performance

LotusLantern APP is easy for use as well as great compatible for all kinds of smart phones; After the actual test of hundreds of mobile phones verification, the compatibility is above 95% of mobile phones in the market. APP is small and convenient, it consumes less system resources, so the requirements of the mobile configuration are low. Control delay is small, the operation feel good, light control is smooth with people's visual sense.

## 2. Operating Environment

This APP program requires phones of system above Android 4.3 and iOS 8.0. Mobile phone configuration is not limited.

## 3. Instructions

Note: Android version and iOS version download and use the same method, here in the Android version as an example.

### 3.1 APP Download

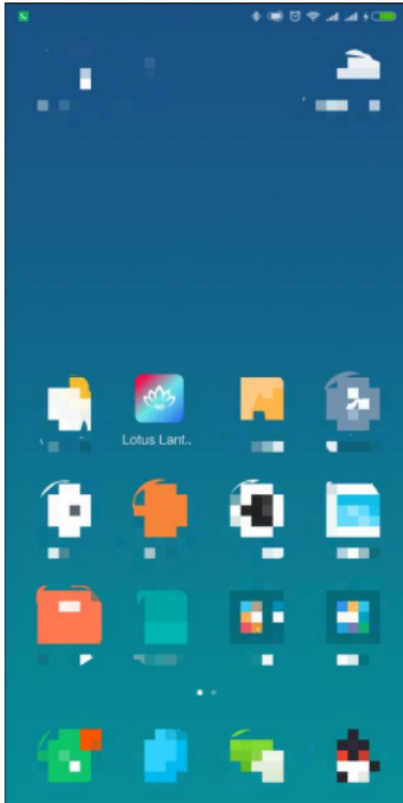
- Scan the QR code

iOS and Android systems can download the "LotusLantern" APP by scanning the QR code. Open the browser or other tools with "Scan QR code" function, scan the "LotusLantern" QR code as below:

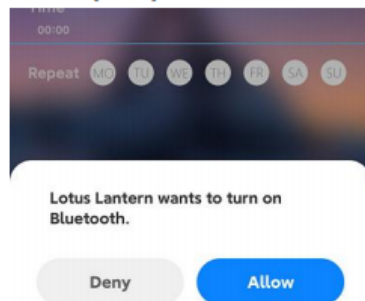


## 3.2 App Operation

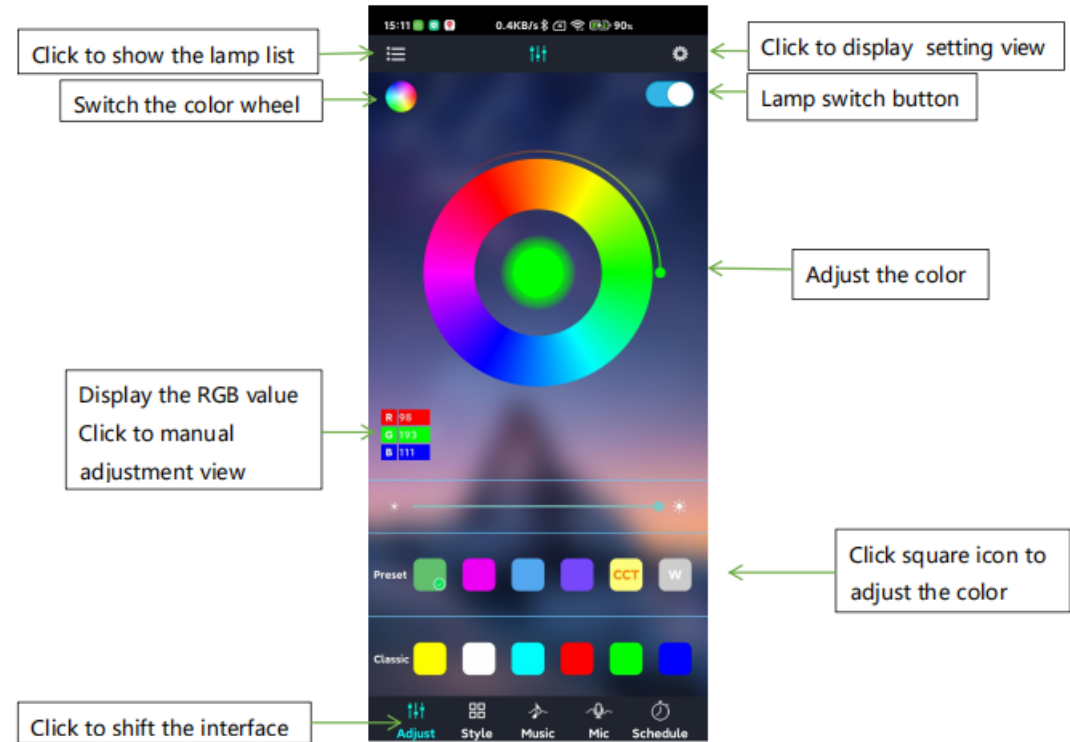
(1) Click on the LotusLantern APP icon, enter the APP page:



(2) After entering the APP interface, if Bluetooth is not enabled, "Louts Lantern wants to turn on Bluetooth." Click [Allow]



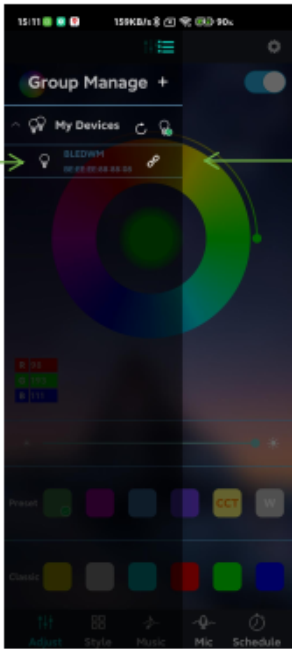
(3) switch to color and brightness interface:



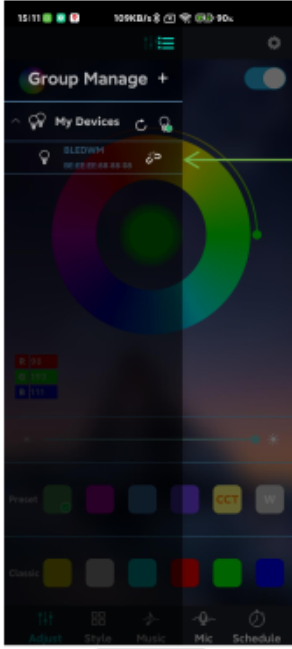
(4) click to show the lamp list, view lamp list:

Bluetooth auto connect  
after search for devices

Lamp list



Status of device connection



Device disconnected state

(5) Click to RGB manual adjustment view:

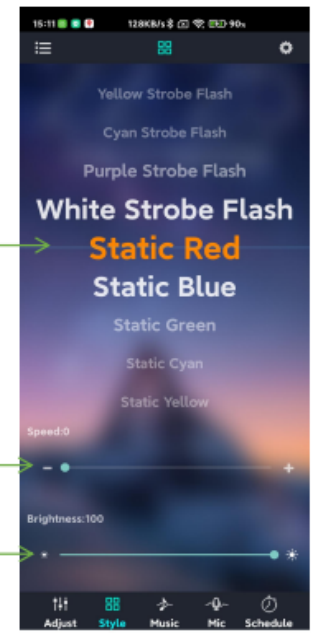


(6) switch to the mode interface:

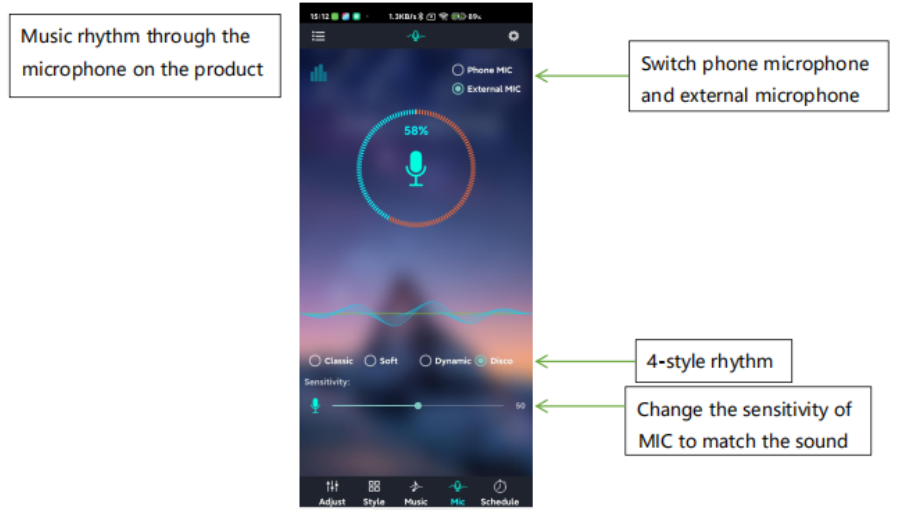
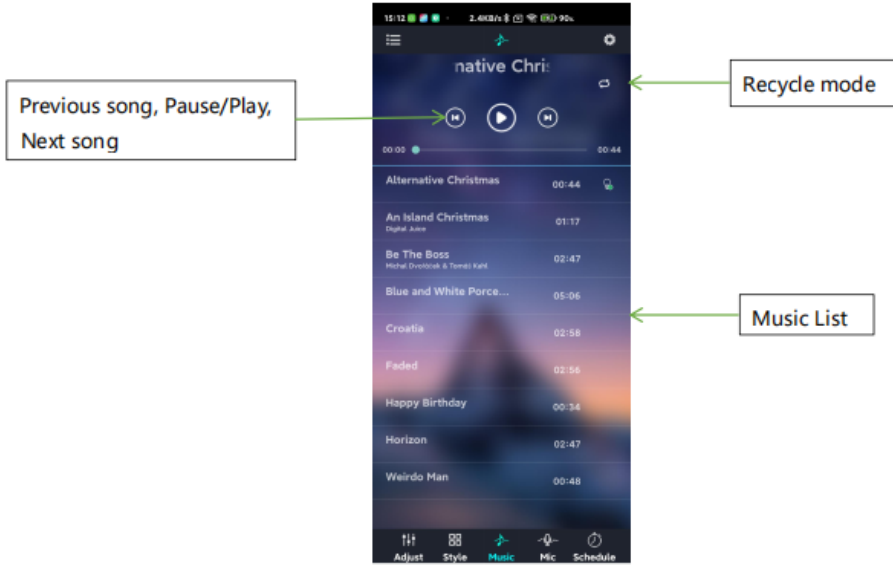
Scroll the selection mode

Adjust seed

Adjust luminance

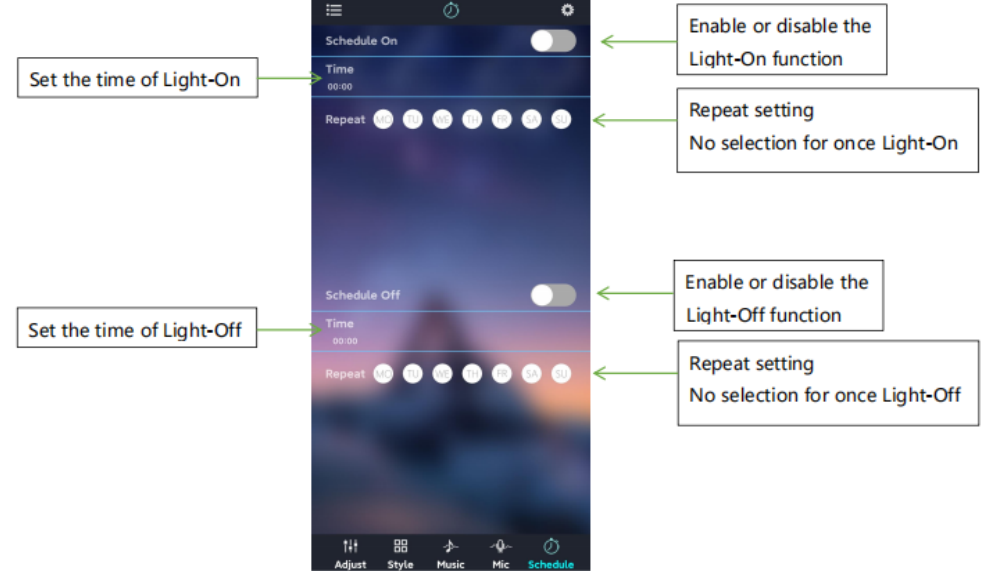
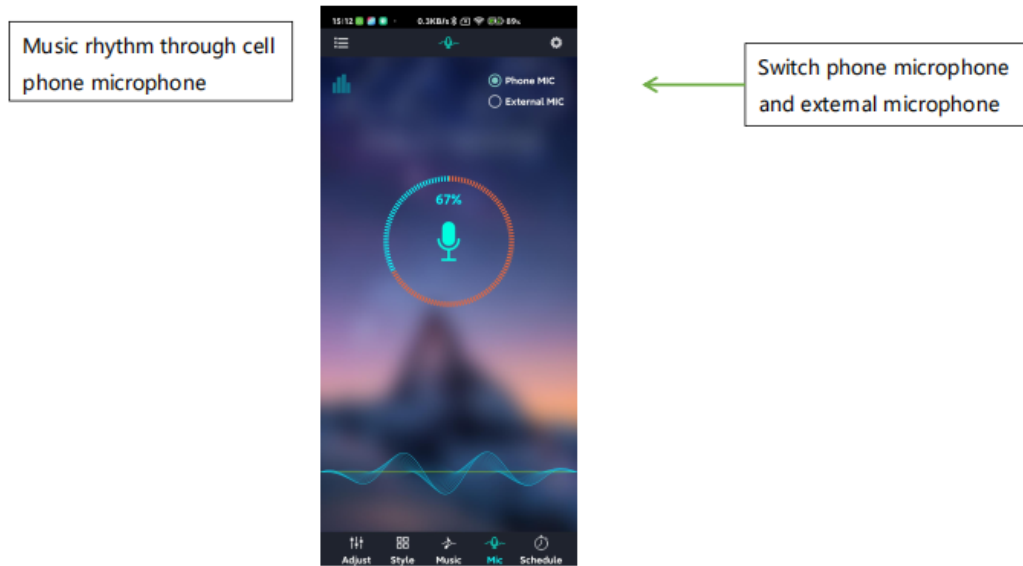


(7) switch to the music rhythm interface:



(9) Switch to the schedule interface:

(8) Switch to the microphone rhythm interface:



Shenzhen ZKT Technology Co., Ltd.  
 1/F, No. 101, Building B, No. 6, Tangwei Community Industrial Avenue,  
 Fuhai Street, Bao'an District, Shenzhen, China



# Certificate of Compliance

Certificate Number: ZKT-250819L20001C

**Certificate's Holder** : DONGGUAN QIYI OPTOELECTRONIC TECHNOLOGY CO.,LTD  
 ROOM 701, BUILDING 2, 358 YANGDAXING ROAD, DALINGSHAN TOWN,  
 DONGGUAN CITY, GUANGDONG PROVINCE  
**Manufacturer** : DONGGUAN QIYI OPTOELECTRONIC TECHNOLOGY CO.,LTD  
 ROOM 701, BUILDING 2, 358 YANGDAXING ROAD, DALINGSHAN TOWN,  
 DONGGUAN CITY, GUANGDONG PROVINCE  
**Trade Mark** : /  
**Product** : Colorful light strip  
**Model(s)** : 5050  
 XX5050RGB-60D, XX2835-120D, XX2835-60D, XX2835-84D

REQUIREMENT	STANDARD	Report No.
Art.3.1(a) Safety	EN IEC 62031:2020+A11:2021	ZKT-250819L20002S
Art.3.1(a) Health	EN 62479:2010 EN 50663:2017	ZKT-250819L20001E-2
Art.3.1(b) EMC	ETSI EN 301 489-1 V2.2.3 (2019-11) ETSI EN 301 489-3 V2.3.2 (2023-01)	ZKT-250819L20001E
	ETSI EN 300 220-1 V3.1.1 (2017-02) ETSI EN 300 220-2 V3.2.1 (2018-06)	ZKT-250819L20001E-1

This Attestation of Compliance is issued on for electrical equipment below the voltage limits of  
 Radio Equipment Directive (RED) 2014/53/EU. The essential requirement are fulfilled accordingly  
 based on the technical specifications applicable at the time of issuance.



This Certificate of Conformity is based on single evaluation of the submitted sample(s) of the above mentioned  
 product. It does not imply an assessment of the whole product and relevant Directives to be observed.



## VERIFICATION OF CONFORMITY

EU - Restriction of the use of certain hazardous substances (RoHS) -

No.CTB240717009CX-ZS

**Applicant** : DongGuan QiYi OptoElectronic Technology Co.,Ltd  
**Address** : Room 701, Building 2, 358 Yangdaxing Road, Dalingshan Town, Dongguan City, Guangdong Province  
**Manufacturer** : DongGuan QiYi OptoElectronic Technology Co.,Ltd  
**Address** : Room 701, Building 2, 358 Yangdaxing Road, Dalingshan Town, Dongguan City, Guangdong Province  
**Product** : LED strip  
**Brand** : /  
**Model(s)** : 5050, 2835, 5730, 3528, 0603, 3535, 3030, 0805, 3014, 2020, 1615, 0807, 2836  
**Test Report No.** : CTB240717009CX  
**Test Standards** : IEC 62321-3-1:2013, IEC 62321-4:2013+AMD1:2017, IEC 62321-5:2013, IEC 62321-6:2015, IEC 62321-7-1:2015 & IEC 62321-7-2:2017, IEC 62321-8:2017

The test results based on the above specified products comply with the EU RoHS Directive 2011/65/EU Appendix II and amendment Directive (EU) 2015/863 limit on the restriction of the use of certain hazardous substances in electrical and electronic equipment.

The test results apply only to the particular sample tested and to the specific tests carried out.



Lin Zhang (Chemical manager)

Jul. 24, 2024

This Declaration is for the exclusive use of CTB's Client and is provided pursuant to the agreement between CTB and its Client.

The observations and test results referenced from this Declaration are relevant only to the sample tested. This Declaration by itself does not imply that the material, product, or service is or has ever been under a CTB certification program.



Certificate No. : HUAX251106309KC

huaxiang

# Certificate of Conformity

**Certificate's Holder** : Lufeng Jiazi Town Hongyu Furniture Accessories Factory  
**Address** : No. 20, Pengxing Nei Road, Lujia Avenue, Jiazi Town, Lufeng City, Guangdong Province

**Manufacturer** : Lufeng Jiazi Town Hongyu Furniture Accessories Factory  
**Address** : No. 20, Pengxing Nei Road, Lujia Avenue, Jiazi Town, Lufeng City, Guangdong Province

**Product Name** : Sofa USB  
**Product Model (S)** : HY-1012, HY-1013, HY-1014  
**Trade Mark** : N/A

**Related Standard(s)** : EN 55032: 2015 + A1: 2020  
EN 55035: 2017 + A1: 2020

**Report No.** : HUAX251106309KR

The EUT described above has been tested by us with the listed standards and found in compliance with the council EMC Directive 2014/30/EU. It is possible to use CE marking to demonstrate the compliance with this EMC Directive



  
Nov. 10, 2025  
Certification Manager



Shenzhen Huaxiang Testing Co., Ltd

1st Floor, Building A1, No. 2082 Jincheng Road, Shajing Street, Bao'an District, Shenzhen City, Guangdong Province, China

Web.: [Http:// www.hua-x.com](http://www.hua-x.com)

E-mail: [huaxiang@hua-x.com](mailto:huaxiang@hua-x.com) Tel.: +86-0755-23010432



# CERTIFICATE

Report No: LBTR230314130R

Date: Mar.14,2023

**Applicant** : LUFENG JIAZI TOWN HONGYU FURNITURE ACCESSORIES FACTORY  
**Address** : NO. 20, PENGXING NEI ROAD, LUJIA AVENUE, JIAZI TOWN, LUFENG CITY,  
GUANGDONG PROVINCE  
**Manufacturer** : LUFENG JIAZI TOWN HONGYU FURNITURE ACCESSORIES FACTORY  
**Address** : NO. 20, PENGXING NEI ROAD, LUJIA AVENUE, JIAZI TOWN, LUFENG CITY,  
GUANGDONG PROVINCE

The following sample(s) was /were submitted and identified on behalf of the clients as:

**Sample Name** : SOFA USB

**Sample Model** : HY-1012, HY-1013, HY-1014

**Sample Received** : Mar.03,2023

**Date**

**Testing Period** : Mar.03,2023 TO Mar.14,2023

**Test Requested** : Selected test (s) in the selected parts as requested by client with the RoHS 2 Directive 2011/65/EU Annex II (EU) 2015/863 as last amended by Directive (EU) 2017/2102.

**Test Method** : Please refer to next page(s).

**Test Result** : Please refer to next page(s).



Signed for and on behalf of

*Jacob Su*  
LABTEST TECHNOLOGY LABORATORIES LTD.  
AUTHORIZED  
Approved Signatory