






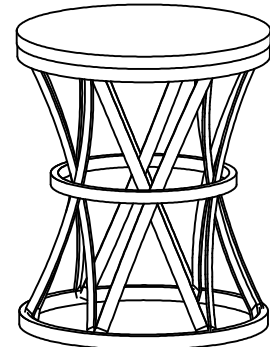


ASSEMBLY INSTRUCTIONS

Barrel Table

Barrel Table Part List

PART	DRAWING	DESCRIPTION	QTY	PART	DRAWING	DESCRIPTION	QTY
A		Table TOP	1	E		Allen Key (M4)	1
B		Table Base	1	F		Bolt 1/4*12mm	18
C		Connecting Frame	1	J		Leveler (pre-assembled)	4
D		Connecting rod	6				

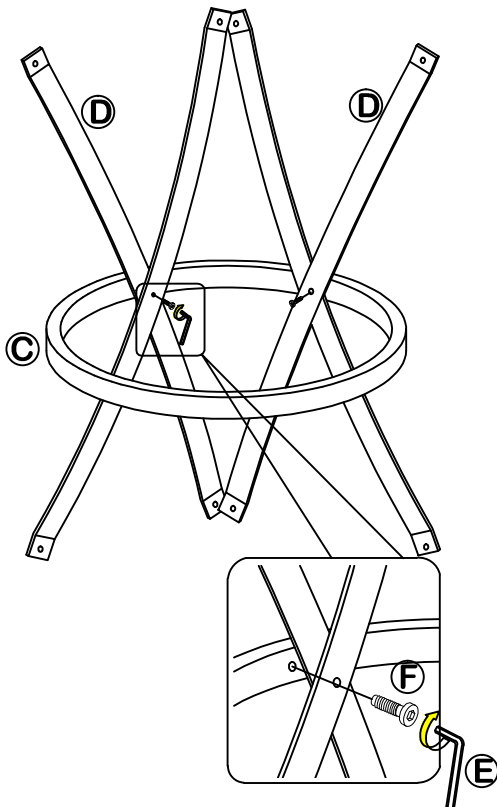


Barrel Table
Assembled

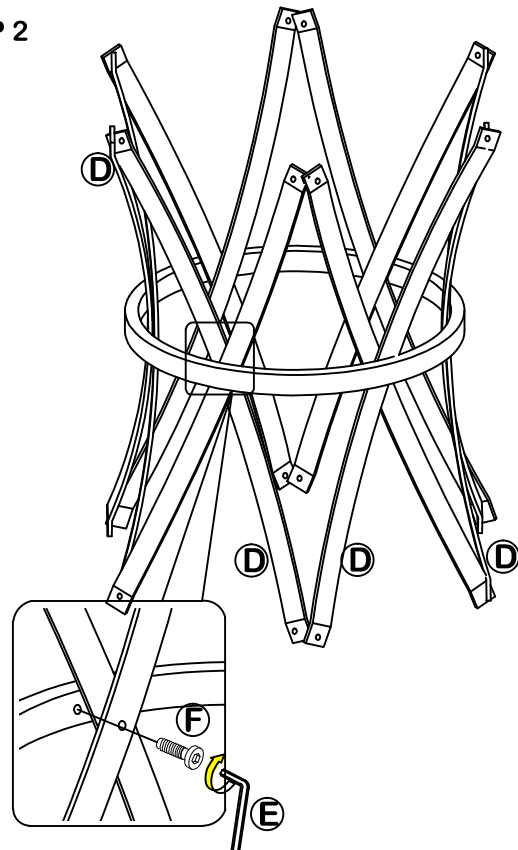
NOTED: If needed, only part I-K are available for replacement.

IMPORTANT: Do not fully tighten the bolts. Tighten all the bolts only on a level surface

STEP 1



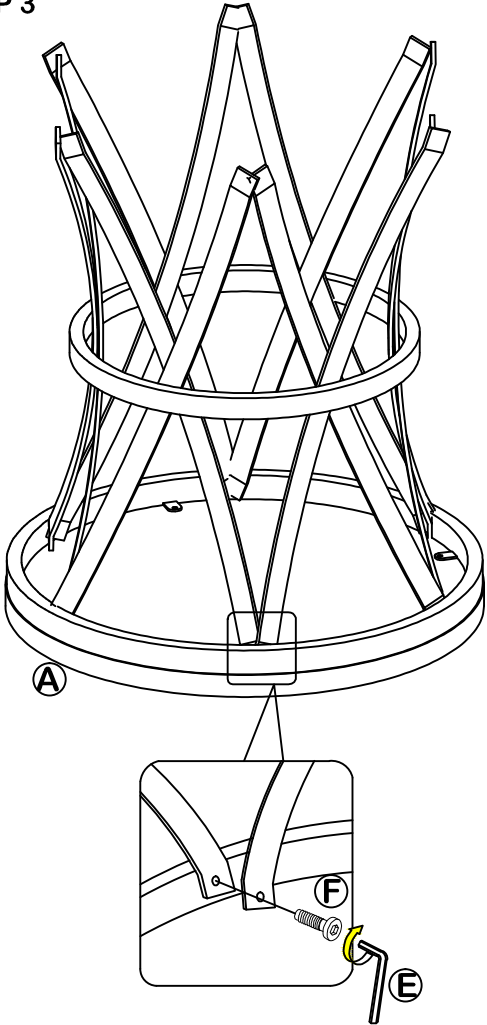
STEP 2



ASSEMBLY INSTRUCTIONS

Barrel Table

STEP 3



STEP 4

