

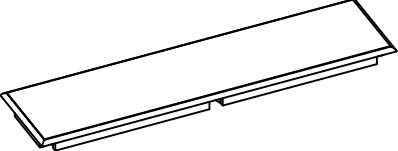


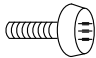
ASSEMBLY INSTRUCTIONS

Thank you for purchasing this quality product . Be sure to check all packaging material carefully for small parts that may have come loose inside the carton during shipment .

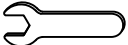



"Hardware is attached underneath the seat bottom"

This product will take 15-20 minutes to assemble

Components List :

NO	DESCRIPTION	SKETCH	QTY
A	Bench Seat		1pc
B	Bench Center Leg		2pcs
C	Bench Leg		4pcs
D	Adjustable Levelers		2pcs

Hardware List :

NO	DESCRIPTION	SIZE	SKETCH	QTY
1	Wrench	12x75 mm		1pc
2	Hex-Nut	5/16"		12pcs
3	Spring Washer	5/16" x Ø12		12pcs
4	Flat Washer	5/16" x Ø19		12pcs

Screw driver is require for assembly (not included)

Reminders

1. Use only the hardware supplied.
2. Once the chair is finished, level and tighten all the bolts.
3. Do not over-tighten bolts.
4. This item may require periodic tightening.

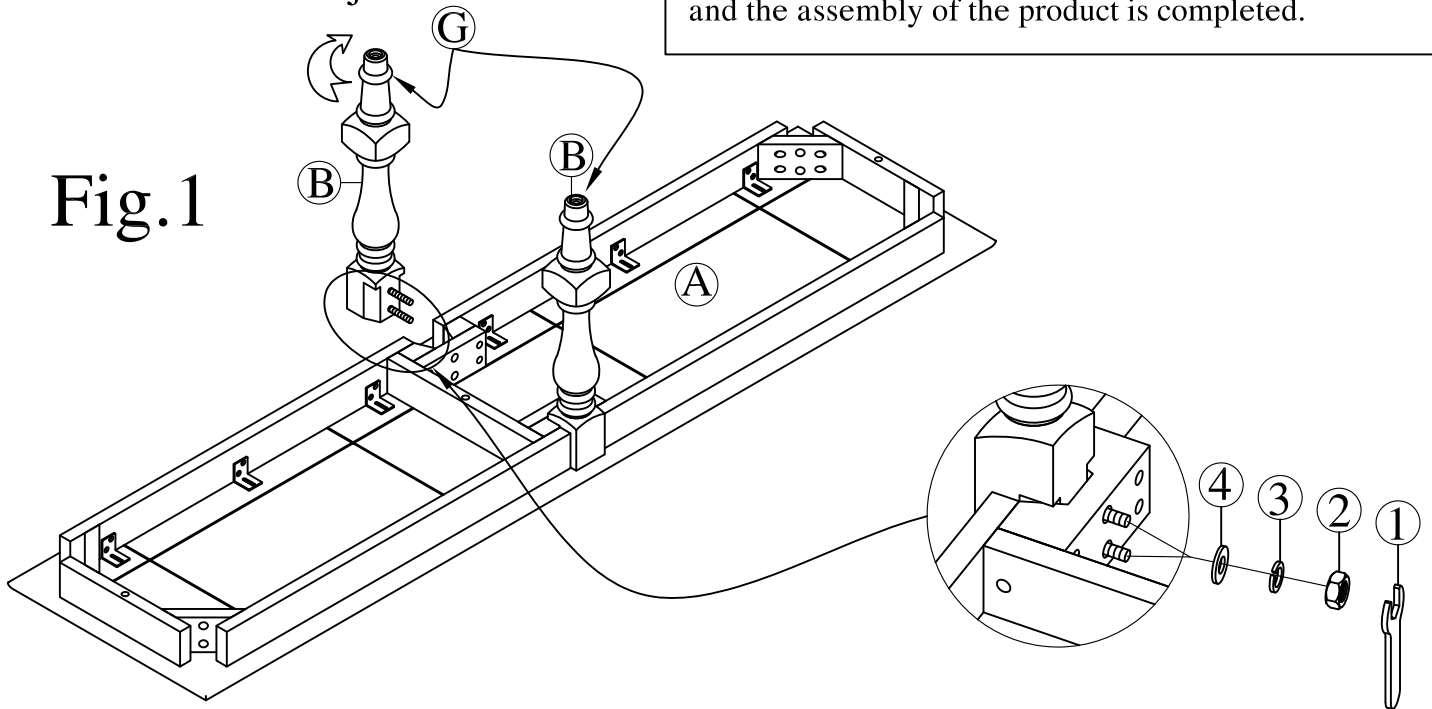
NOTE :

1. Hardware pack is located underneath the Bench Seat (A).
2. Two or more people are needed for assembly. Please keep all hardware parts out of the reach of children.

ASSEMBLY INSTRUCTIONS

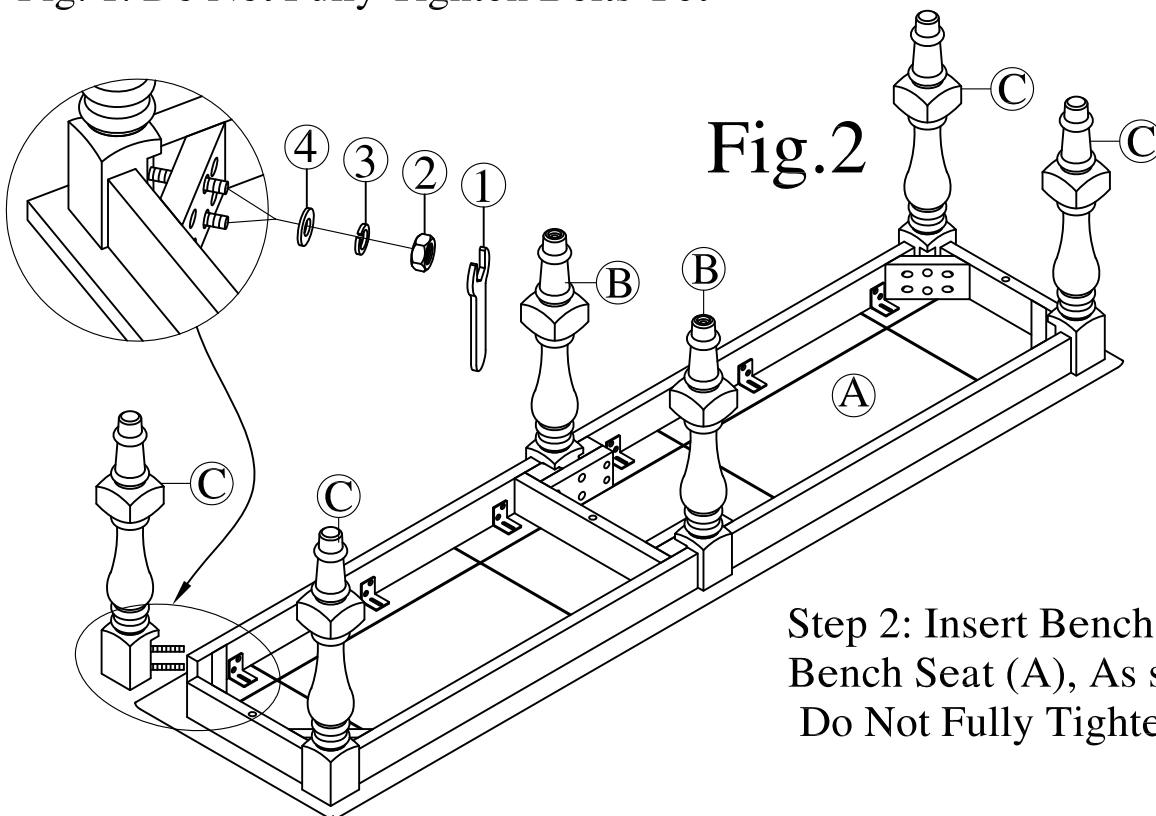
Grab hardware bag from underneath the Bench seat.
Do not fully tighten bolts until the Product is level
and the assembly of the product is completed.

Fig.1



Step 1: Lay the Bench Seat (A) upside down on a flat soft surface. Insert Bench Center Leg (B) into Bench Seat (A), using the provided hardware as shown on Fig. 1. Do Not Fully Tighten Bolts Yet

Fig.2



Step 2: Insert Bench Leg (C) into Bench Seat (A), As shown in Fig. 2. Do Not Fully Tighten Bolts Yet

ASSEMBLY INSTRUCTIONS

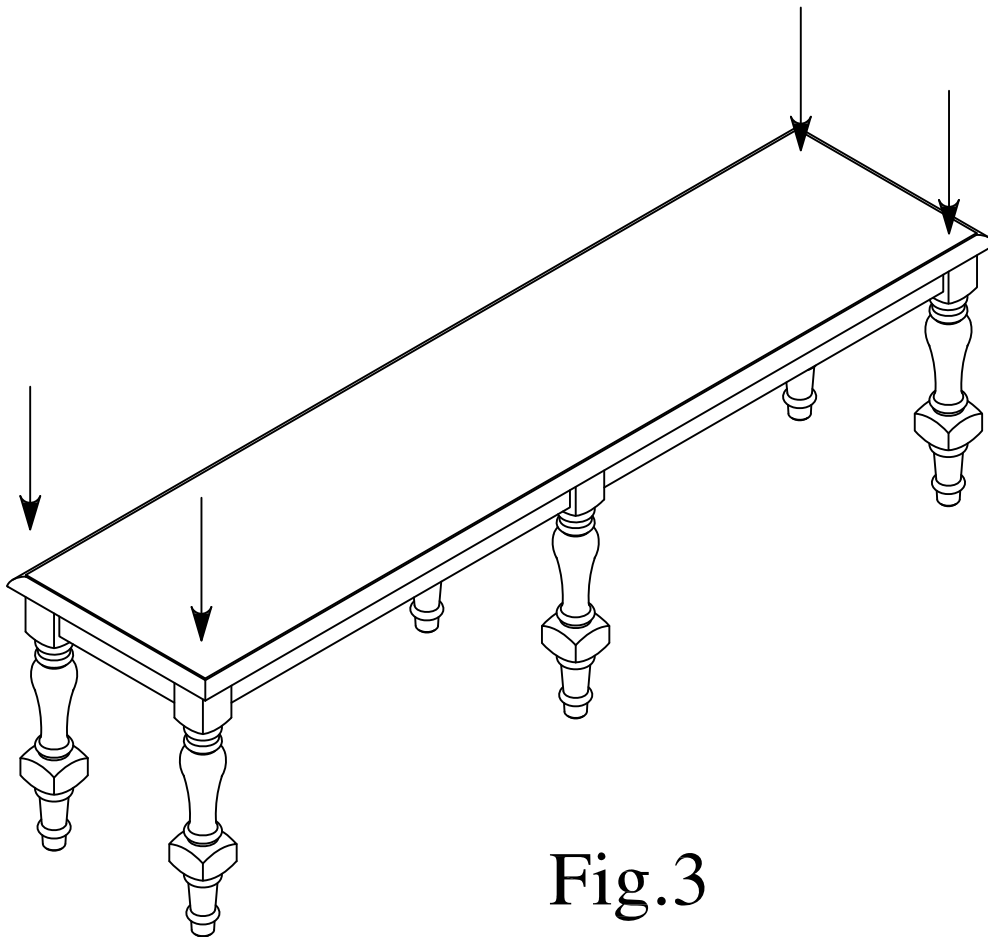


Fig.3

Step 3: Place the loosely assembled Bench on a hard flat surface and apply gentle downward pressure on the seat. As shown on Fig.3. Once the Bench is balanced and leveled, fully tighten all bolts.

Assembly is now Complete