

ASSEMBLY INSTRUCTION









DINING TABLE

Thank you for purchasing the quality product. Be sure to check all packing material carefully for small parts which may have come loose inside the carton during shipment. Separate, identify and count all parts and metal hardware. Compare with all parts list to be sure all parts are present. If any part(s) are missing or damaged, please contact your local furniture dealer. For efficient and speedy service, please indicate the model number and code letter of part(s) needed.

*****Do not fully tighten screws until fully assembled*****

DESCRIPTION	COMPONENT PARTS	
	PART NAME	Q'TY (PCS)
P1	PEDESTAL LEGS	2
P2	LEG PRONGS	4
P3	BOTTOM STRETCHER	1
P4	TOP RAIL	1
P5	MOUNTING BAR	4
P6	TABLE TOP	1

HAREWARES REQUIRED

H1		WRENCH - 1 PC
H2		HEX NUX - 24 PCS
H3		M8 SPRING WASHER - 24 PCS
H4		M8 FLAT WASHER - 24 PCS
H5		ALLEN KEY - 1 PC
H6		JCBC BOLT M6 x 70MM - 2 PCS
H7		M6 SPRING WASHER - 2 PCS
H8		CSK SCREW M4 X 32MM - 16 PCS

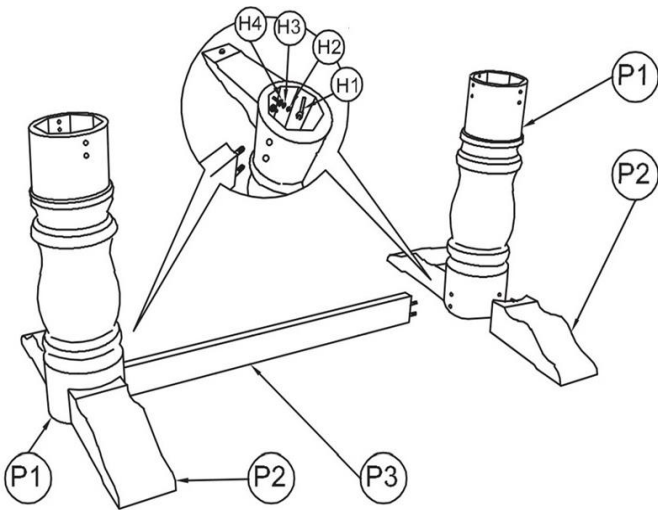
Attention:

*** Some number parts listed on the instruction sheet may not be in parts bag as they may already be assembled.

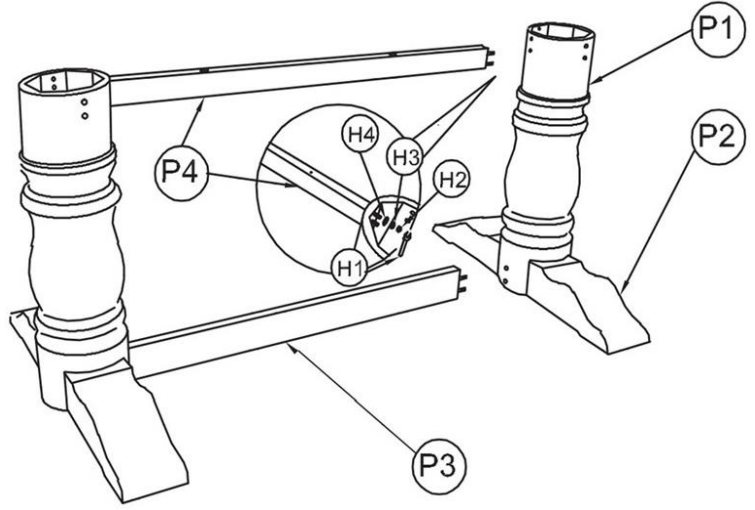
Carefully check parts and packing materials prior to ordering replacements.

How to assemble:

STEP 1:

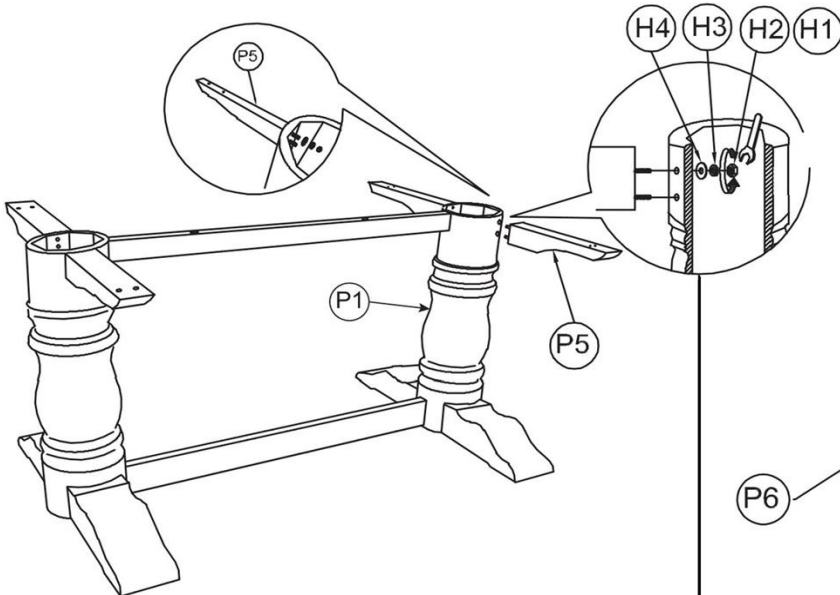


STEP 2:



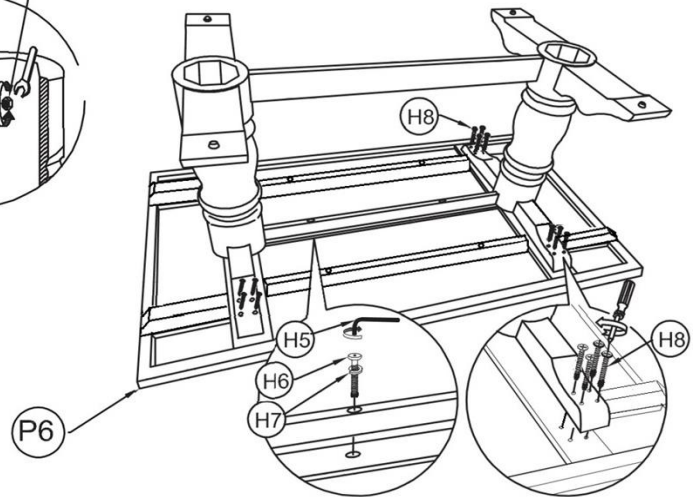
Assemble leg prongs P2 to both Pedestal Legs P1, then align Bottom Stretcher P3 and Top Rail P4 to connect both Pedestal Legs.

STEP 3:



Assemble Mounting Bar P5 into the Pedestal legs P1.

STEP 4:



Require two capable persons to put the table upright after finished assembly