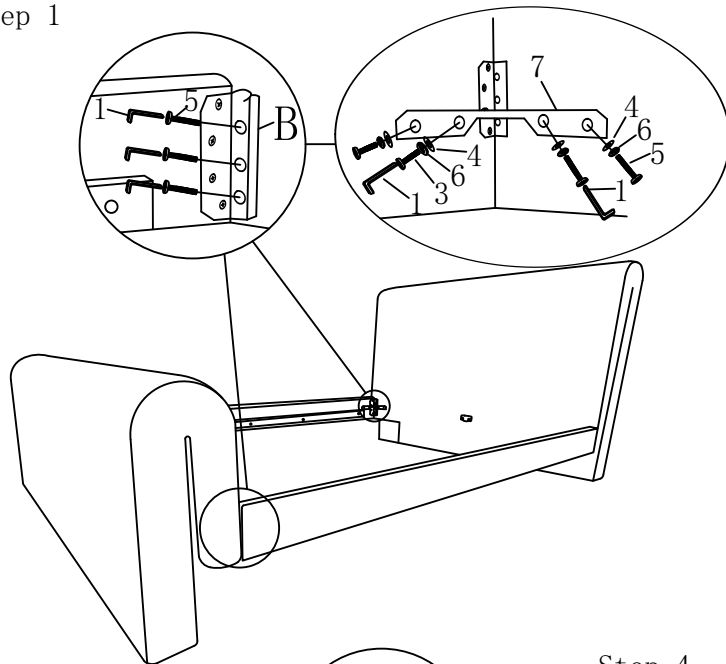


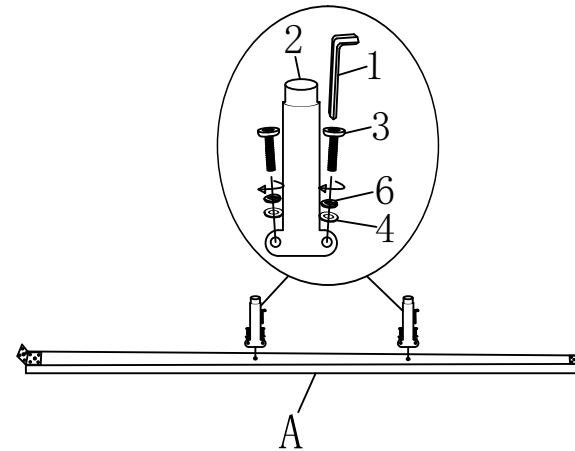
ASSEMBLY INSTRUCTION

Bed

Step 1

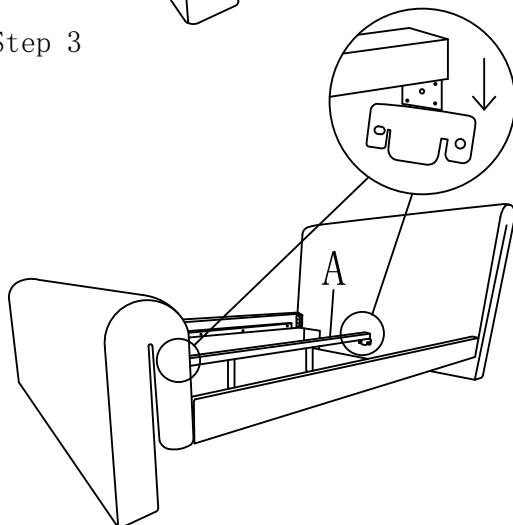


Step 2



1		1pc	M4
2		2pcs	H180MM
3		12pcs	6*30MM
4		20pcs	6*18MM
5		20pcs	6*50MM
6		20pcs	6MM
7		4pcs	25*8*3MM
8		1pc	

Step 3



Step 4

