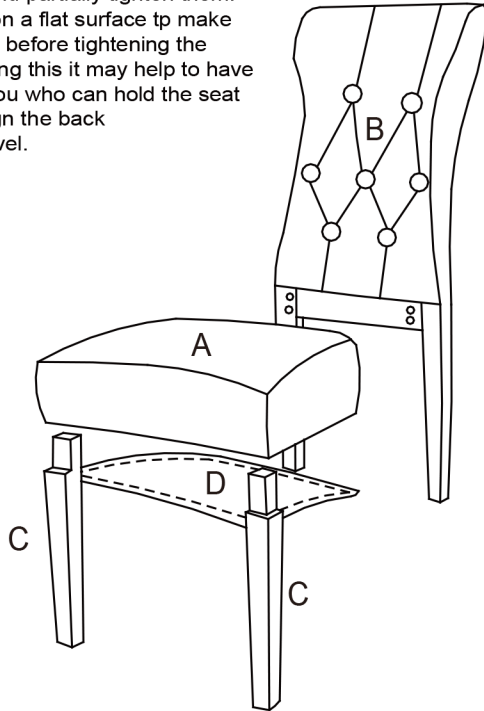


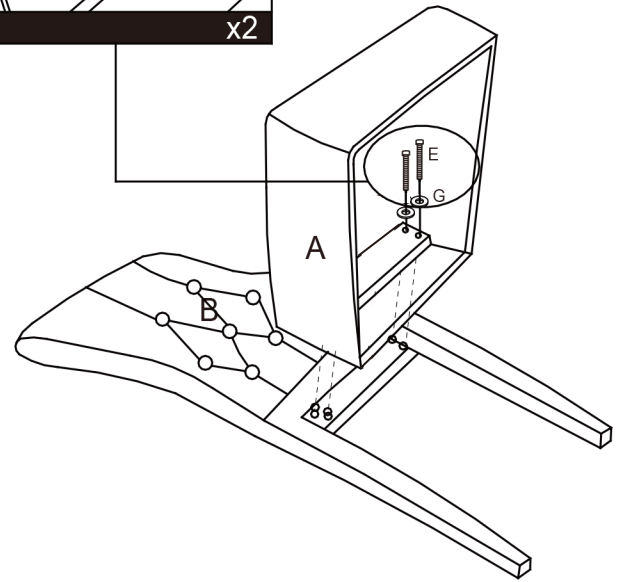
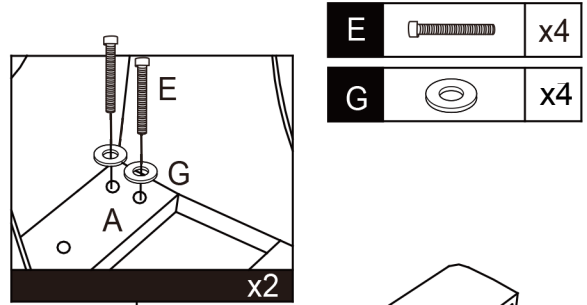
ASSEMBLY INSTRUCTIONS

Note:

To ensure the chairs are assembled without a wobble, insert all the screws and partially tighten them. Then place the chair on a flat surface to make sure the legs are level before tightening the screws fully. When doing this it may help to have another person with you who can hold the seat securely whilst you align the back until all the legs are level.

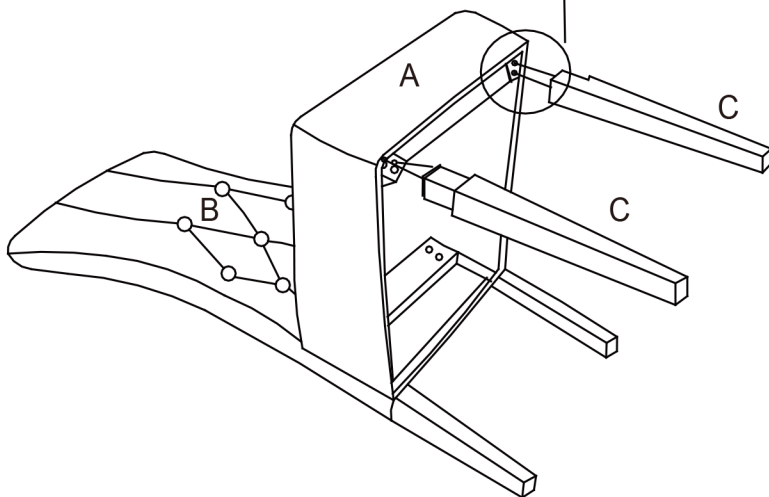
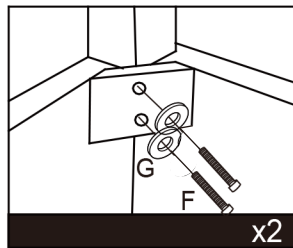


E		x4	H		x1
F		x4			
G		x8			

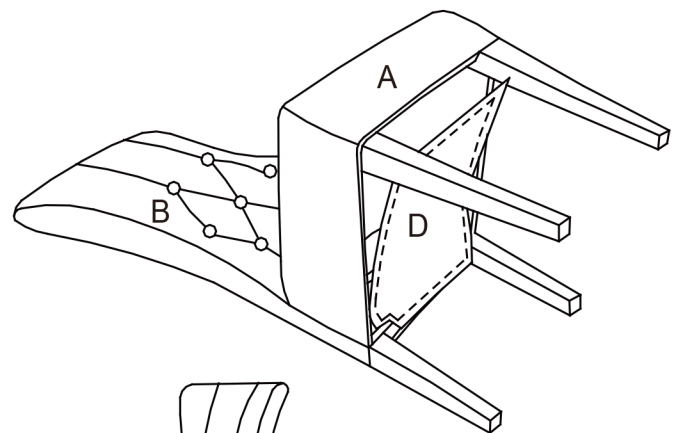


1

F		x4
G		x4



2



3

WARNING:

- DO NOT STAND ON THIS STOOL. DO NOT USE THIS STOOL AS A STEP LADDER.
- USE THIS PRODUCT ONLY FOR SEATING ONE PERSON AT A TIME.
- DO NOT USE THIS STOOL UNLESS ALL BOLTS, SCREWS AND KNOBS ARE FIRMLY SECURED.
- AT LEAST EVERY 4 MONTHS, CHECK ALL BOLTS, SCREWS AND KNOBS TO BE SURE THEY ARE TIGHT.
- IF PARTS ARE MISSING, BROKEN, DAMAGED OR WORN, STOP USING THIS PRODUCT UNTIL REPAIRS ARE MADE USING FACTORY AUTHORIZED PARTS.
- FAILURE TO .