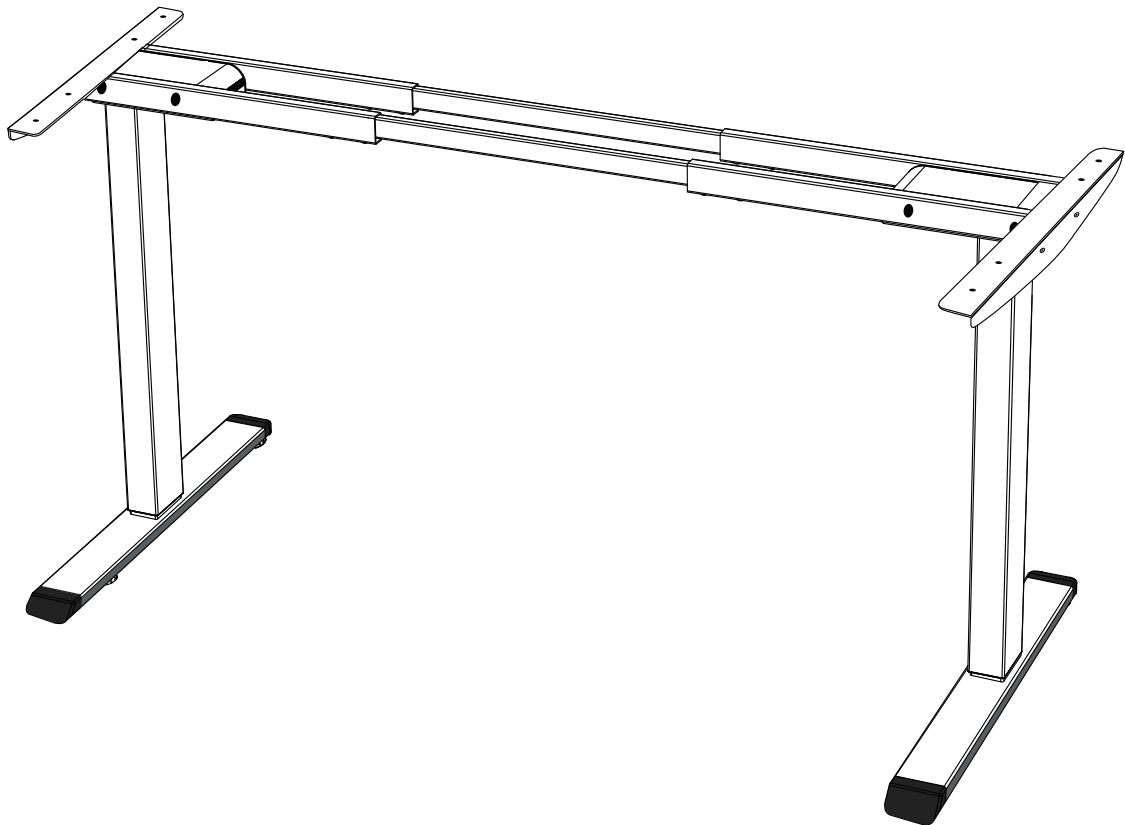




DeepTek

— STANDING DESK —

Electric Standing Desk Frame Instruction Manual



PST@PUSITUO.COM

PRE-ASSEMBLY | BEFORE YOU BEGIN



If you do not understand these directions, or if you have any doubts about the safety of the installation, please call a qualified technician. Check carefully to make sure there are no missing or defective parts. Improper installation may cause damage or serious injury. Do not use this product for any purpose that is not explicitly specified in this manual. Do not exceed weight capacity. We can not be liable for damage or injury caused by improper mounting, incorrect assembly or inappropriate use.

WARNING: CHOKING HAZARD

SMALL PARTS - NOT FOR CHILDREN UNDER 3 YEARS. ADULT SUPERVISION IS REQUIRED.

TIP OVER WARNING

SERIOUS OR FATAL CRUSHING INJURIES CAN OCCUR FROM TIPOVER. TO HELP PREVENT TIPOVER:

- NEVER ALLOW CHILDREN TO CLIMB, STAND, HANG, OR PLAY ON ANY PART OF THE DESK.
- USE TIPOVER RESTRAINT OR ANCHOR STAND TO WALL.

USE OF TIPOVER RESTRAINTS MAY ONLY REDUCE, BUT NOT ELIMINATE RISK OF TIPOVER.

WEIGHT CAPACITY

DO NOT EXCEED WEIGHT CAPACITY. Failure to do so may result in serious injury.



120kg (265lbs)
Max load

Specifications

Height Adjustment Range
27.5" - 47.2" (700-1200MM)



voltage
100-240V



Operating Noise
<50dB

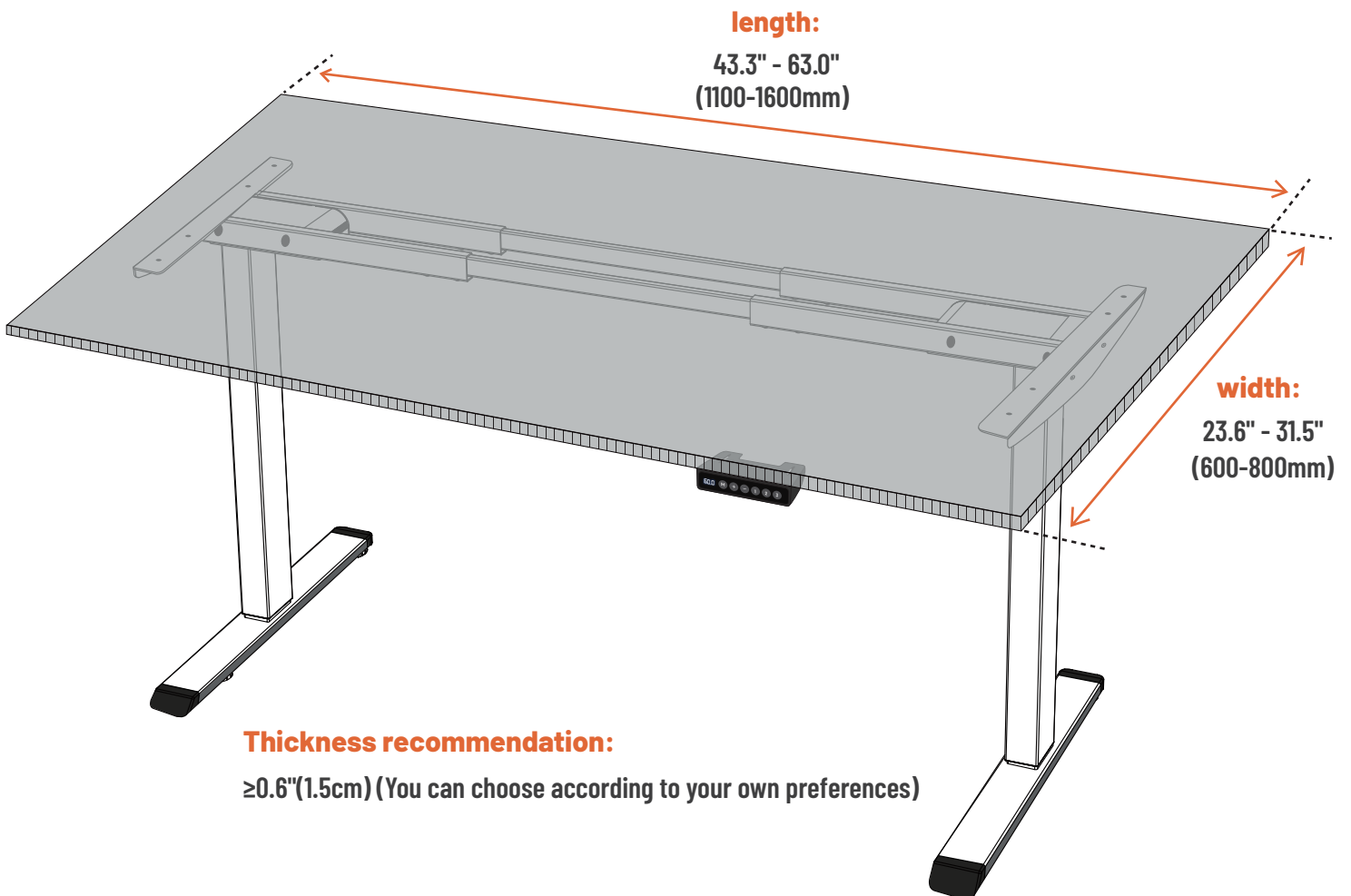


Max. speed
25mm/s

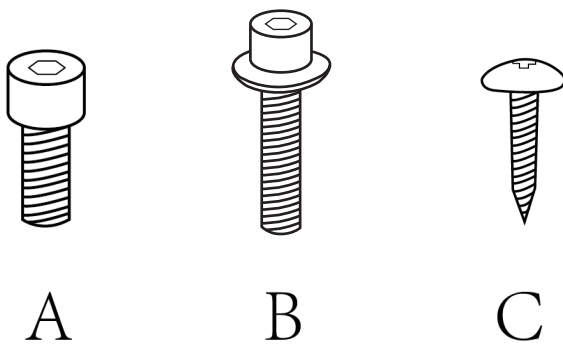
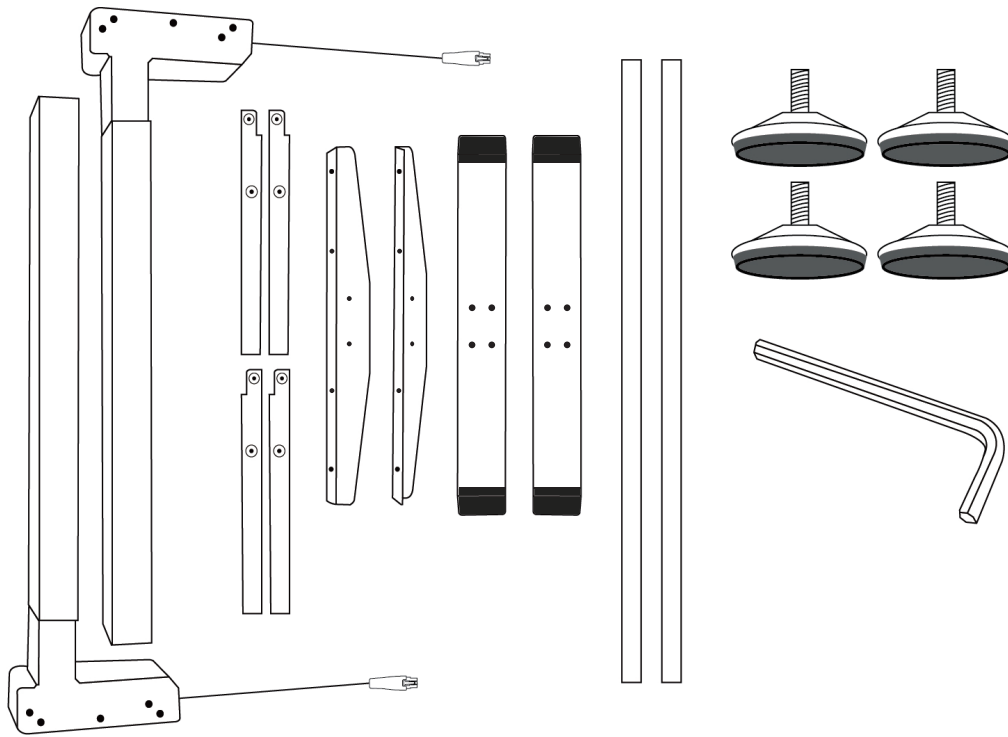


Max load
120KG (265lbs)

Recommended Desktop sizes



Supplied Parts and Hardware



Not all hardware included in this package will be used

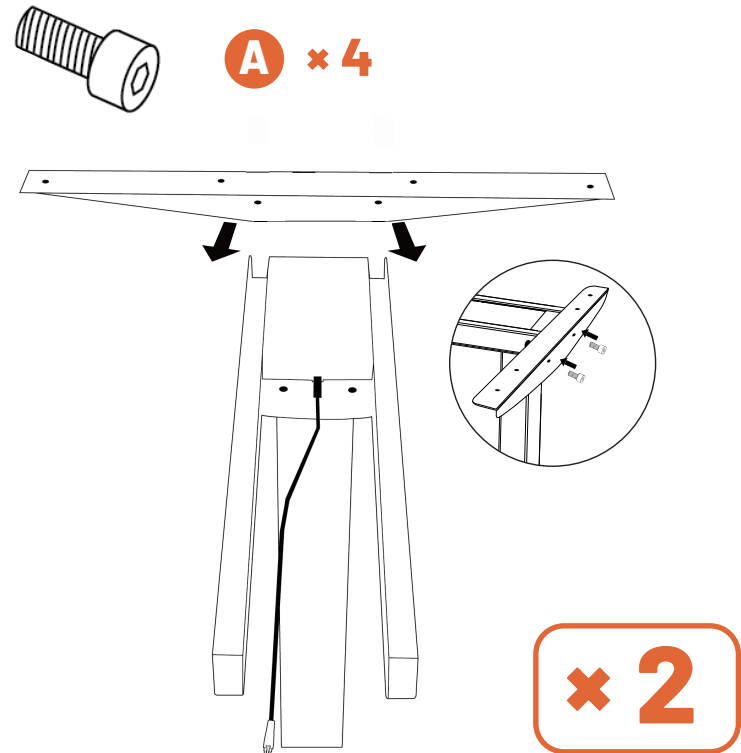
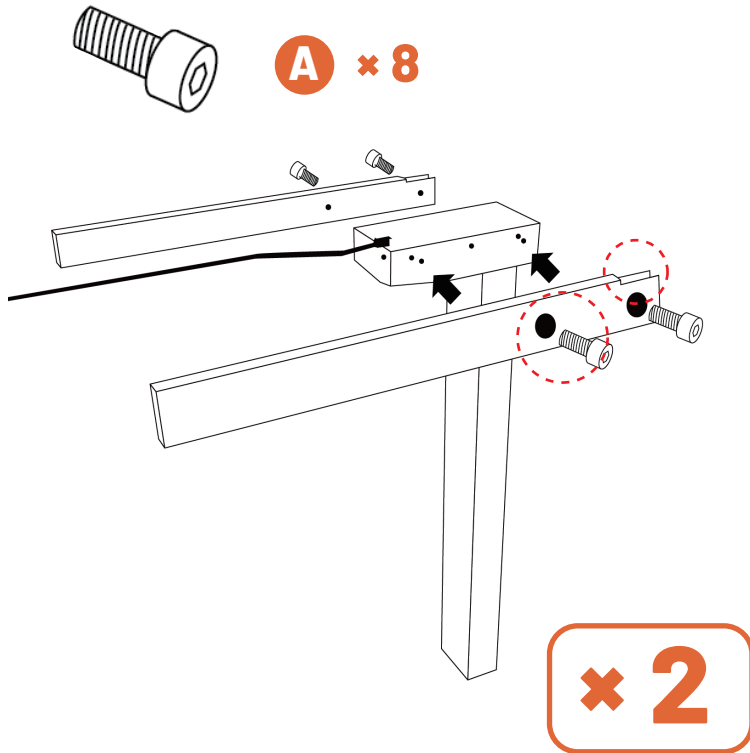
Contact Us

If you receive parts that are damaged, defective, or are missing parts, please contact us.

✉ PST@PUSITUO.COM

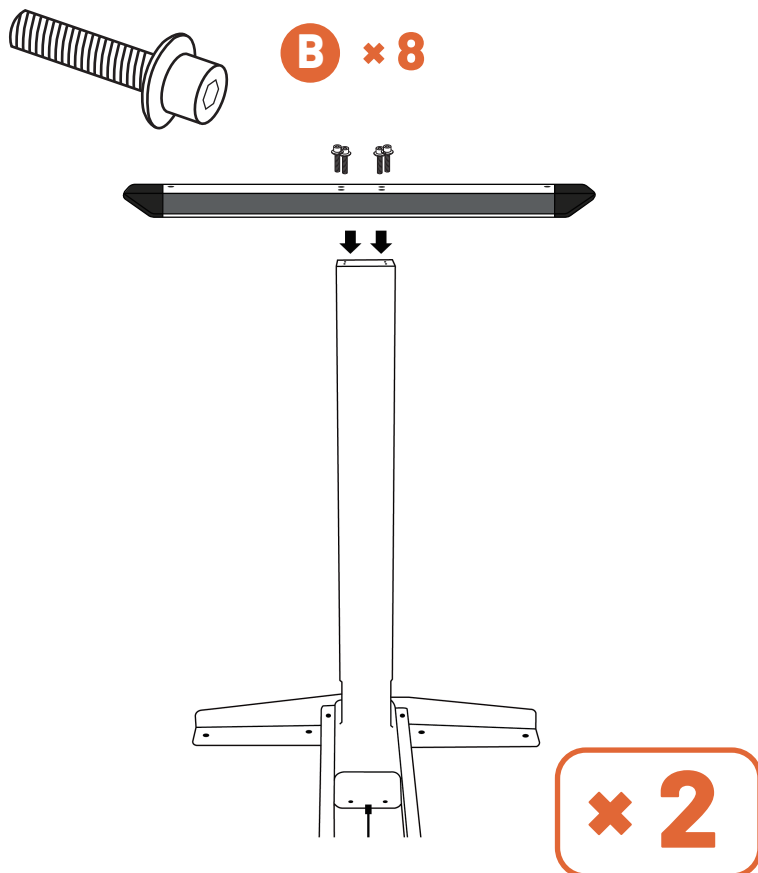
Assembling the Leg Sections

Note: The parts need to be placed in the same direction as shown in the diagram.



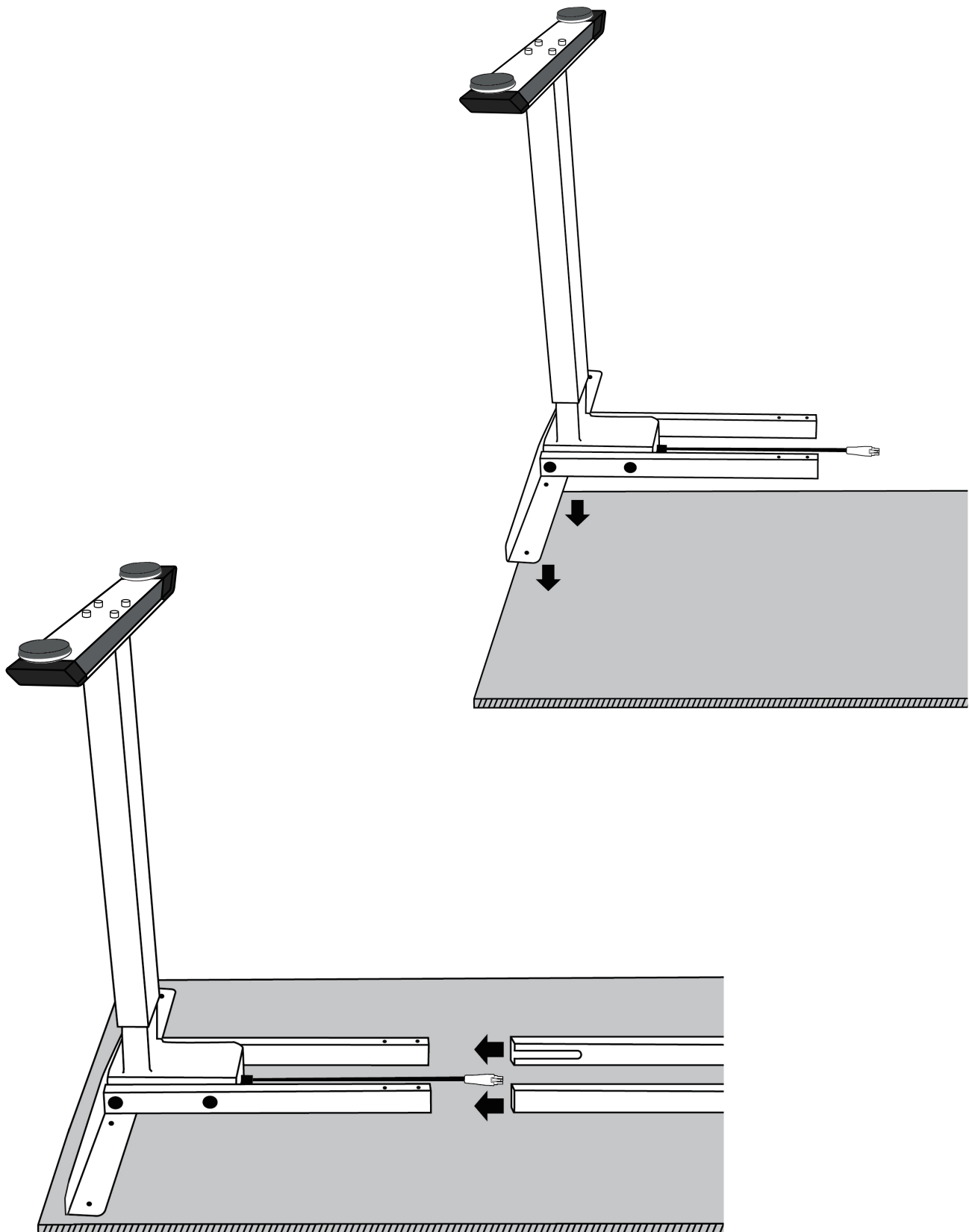
Attach the side plates to the desk legs.

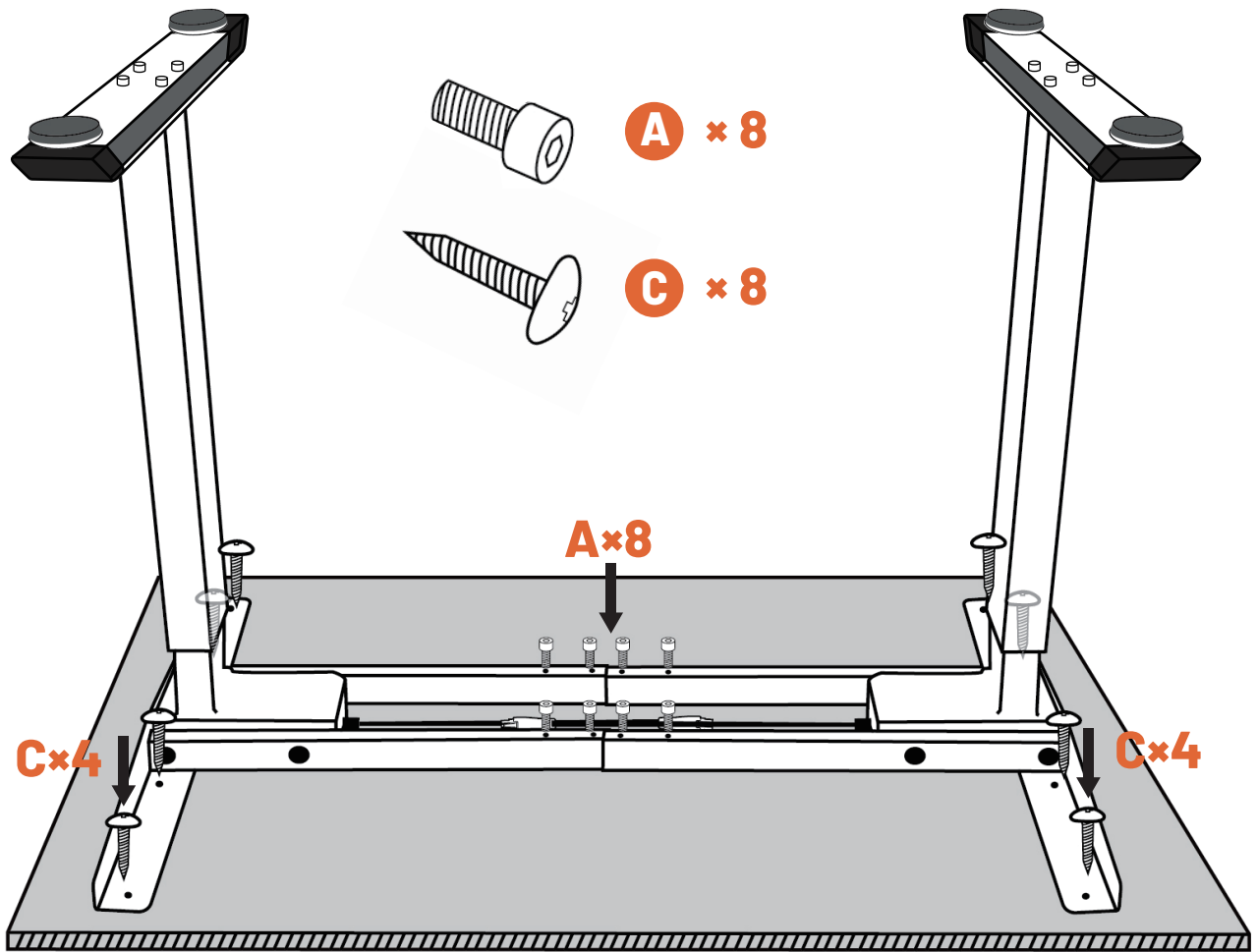
Attaching the Leg Bases



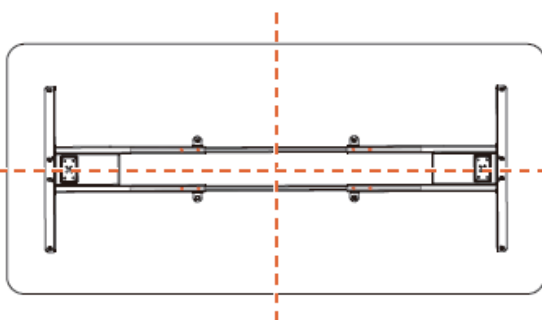
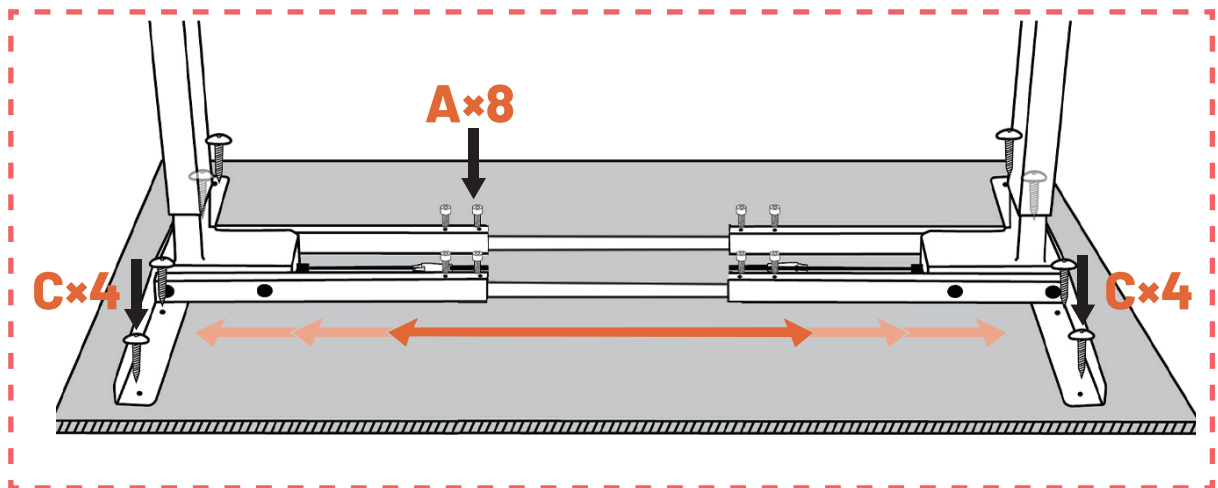
Attaching the Desktop

Place one leg section on the desktop, then insert the connecting bars into the crossbar end of the leg section. Slide the other leg section onto the connecting bars.





Adjust the frame's length according to the size of the desktop before inserting the screws. Use the extension cable to link the motor with controller.

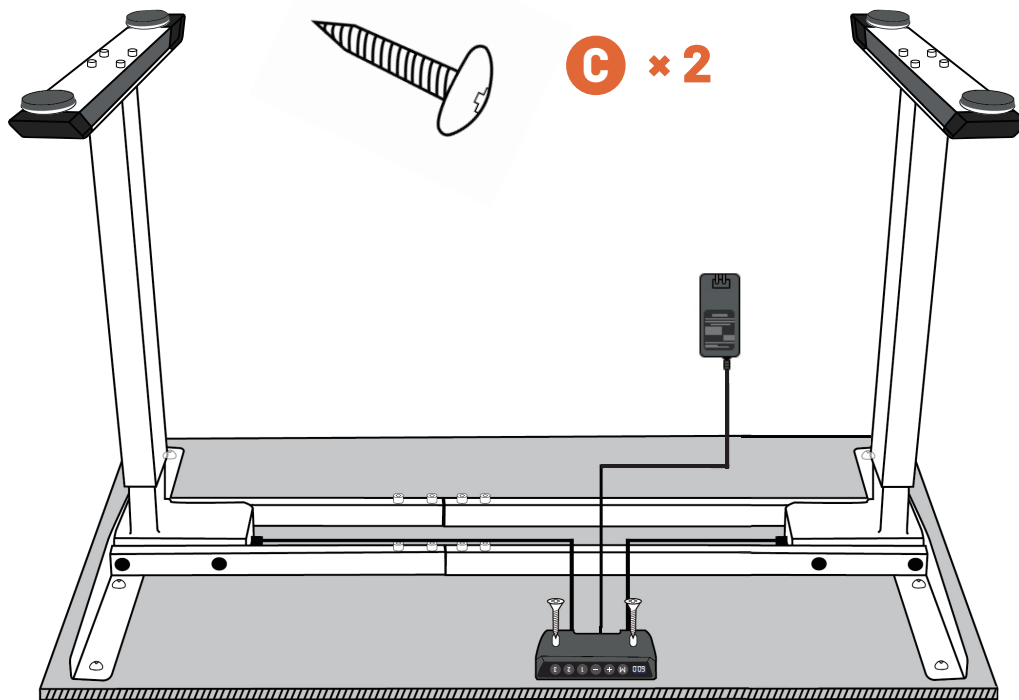


Note:
Ensure the frame is centered on the desktop.

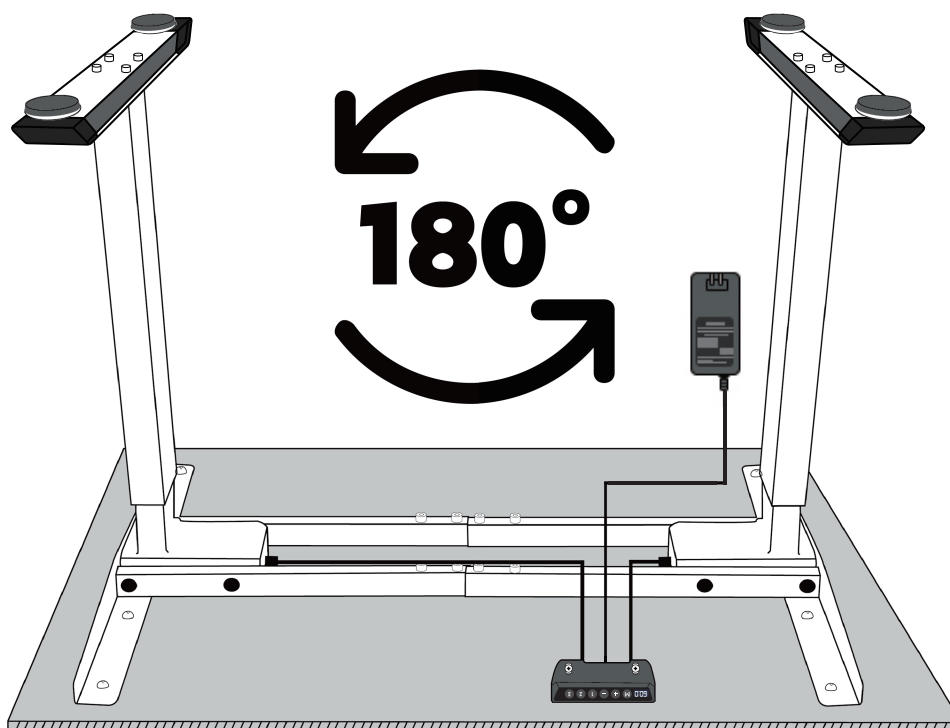
Attaching the Control Board

ATTENTION: The table is currently reversed, so please note the mounting direction of the control plate.

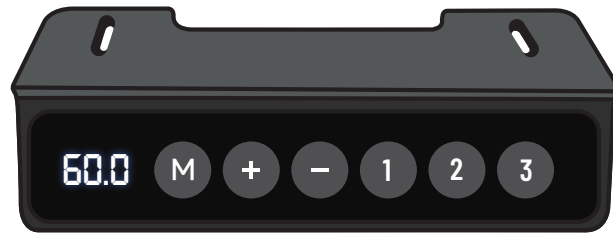
Tips: The control panel can be placed in a position that suits your operation.



Reverse and Complete the Attaching



Using the Controller



TIP :

1. Reset before first use.
2. Press any button to wake the screen before operating the desk.

Note: Ensure there are no obstacles when using the desk, the desktop is not too close to the wall, and all cables are long enough for the desk to move up and down freely.

• Reset :

For the first time use or the desk is unbalanced or the LED displays the wrong height data, it needs to be reset. Press the DOWN key for 5 seconds, until the desk bounce back the lowest height , then release the key and reset done.

• Up and down :

Press the UP key and the desk rises. Then release the key, and the desk stops. Press the DOWN key and the desk goes down. Then release the key, desk stops moving.

• How to set a memory position :

- ① Press the UP or DOWN key to move the desk to the height you want.
 - ② Press M key, the display will flash for 5 seconds.
 - ③ Within these 5 seconds press one of the memory keys and the position will be saved.
 - ④ Use the same process to set up the other 2 memory positions. The 1, 2 and 3 keys on the hand control can save three different height positions, and also can be used repeatedly. The height of the memory is still preserved in case of the power off.
 - ⑤ To recall your memory position: Press the memory key and hold it to reach your stored position, or press the memory key, then the desk will reach the saved position automatically.(The two modes can be set according to customer's requirements.)
- During the running process, press any key can stop the desk.

• Child Lock Function :

Press and hold the UP key and the M key. The controller will display "LOC"and become unresponsive to key presses. Press and hold the DOWN key and the M key to disable the child lock function.

- **Screen Saver Protection :**

When the motor stops running for 10 seconds, the LED display will automatically turn off and enter standby mode. Wake the display by pressing any button (except the M key).

- **Power Loss Position Memory :**

If the table is in operation when a power outage occurs, the controller will save its current height. After power is restored, the table will return to the previously saved height automatically.

- **Activate anti-collision function:**

Pressing the M key on the controller for 5 seconds, the display will show "S-x" with "x" blinking. In this mode, press UP or Down key to switch to S-2 to enter the parameter setting. Default setting is 0 which means anti-collision is off, press UP key to activate anti-collision function. 1 is least sensitive, 8 most sensitive.

After configuring the parameters, press M key to finish the setup.

- **Lower limit setting :**

Move the desk to the low height required, then hold the UP and DOWN key simultaneously with buzz sound to finish the setup.

- **Upper limit setting :**

Move the desk to the high height required, then hold the UP and DOWN key simultaneously with buzz sound to finish the setup.

- **Height Display Unit Switching :**

Press the M key on the controller for 5 seconds, the display will show "S-x" with "x" blinking. In this mode, press UP or Down key to switch to S-1 to enter the parameter setting. 0 means cm, 1 means inch.

After configuring the parameters, press M key to finish the setup.

Common Codes

Display content	Description	Trouble shooting Help
Digit	The current height of the adjustable desk(unit inch/cm)	The unit will be set before EX-factory
E1	Main power supply voltage exceeds 45V	Check the main power supply
E2	Height variance of lead screw over 1 cm	Reset
E4	Handset connection or communication error	Check the handset cables
E5	Anti collision display	Release the button and restart
E6	Main power startup failed (voltage <20V)	Replace the main power supply or check connection cables
E7	Main power protection triggered(voltage <20V)	Restart the power
E8	Desktop tilt	Reset
HOT	Power supply overheating or product running over 2 minutes within 18 minutes	Wait for cooling of power supply or let the system rest for 18 minutes
E12	Motor 1 current sampling channel error	Replace the control component
E13	Motor 1 phase loss with phase disconnected	Check motor phase connections
E14	Motor 1 hall signal error or disconnection	Check hall signals or replace cables
E15	Motor 1 internal short circuit	Replace the motor

Display content	Description	Trouble shooting Help
E16	Motor 1 stall	Reset
E17	Motor 1 rotation direction error	Swap motor cables or hall cables
E18	Motor 1 overload (excessive load)	Reduce the load
E22	Motor 2 current sampling channel error	Replace the control component
E23	Motor 2 phase loss with phase disconnected	Check motor phase connections
E24	Motor 2 hall signal error or disconnection	Check hall signals or replace cables
E25	Motor 2 internal short circuit	Replace the motor
E26	Motor 2 stall	Reset
E27	Motor 2 rotation direction error	Swap motor cables or hall cables
E28	Motor 2 overload (excessive load)	Reduce the load
E42	Memory error	Replace the handset
E43	Anti collision sensor error	Replace the handset



**Complete Flexibility
Total Freedom**



**Thank you for choosing this DeepTek product.
At DeepTek, we strive to provide you with the best
quality products and services in the industry.**

**Should you have any issues,
please don't hesitate to contact us.**

 PST@PUSITUO.COM