

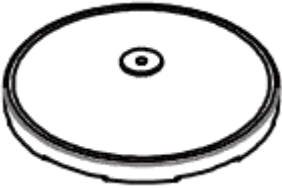


UMBRELLA BASE

SAFETY & WARNINGS

- This umbrella base is designed to secure your patio umbrella in calm conditions only, where there is no breeze or wind.
- Never open or operate a patio umbrella in wind conditions greater than 5mph (8kph).
- NEVER use the umbrella tilt function in any wind (even a light breeze).
- Always close the umbrella when unattended or not in use. If you are not sitting under it, the umbrella should be closed and secured.
- Always use storage straps to properly secure the canopy to the frame when the umbrella is closed.
- Always use a correctly weighted base for the size of the umbrella being used; more weight is always better than less weight, especially if you intend to use the umbrella in a freestanding situation.
- Failure to carefully observe these safety warnings can result in damage to your umbrella base, umbrella, or property and in extreme cases personal injury.
- If the umbrella is showing ANY signs of stress, or if the umbrella begins to move around excessively even when properly weighted it indicates the wind is too strong and the umbrella must be closed and secured immediately.
- Check you have all the listed parts before you start assembling.
- In the event of missing or damaged parts, contact our customer support team via email.
- Assembly will be made easier if two people work together.

COMPONENTS



A: Umbrella Base
(x1)



B: Umbrella Pole
(x1)



C: Pole Spacer
(x2)



D: Tensioning
Screw (x1)



E: Flat Washer (x1)



F: Spring Washer
(x1)



G: Hex Bolt
(x1)



H: Wrench (x1)



I: Washer (x1)



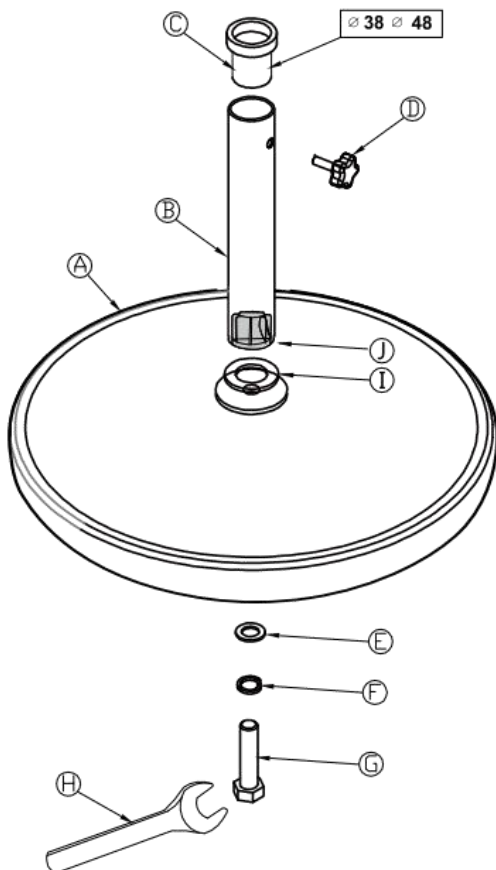
J: Lower Pole Support (x1)

INSTALLATION

Step 1

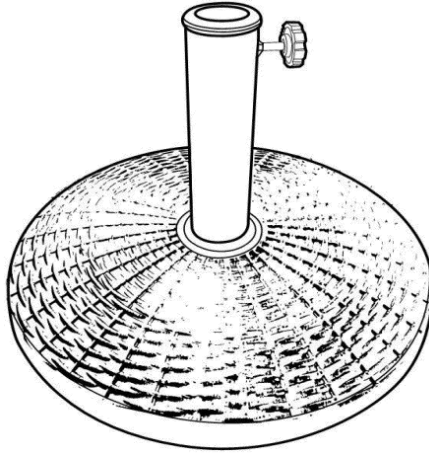
Insert lower pole support (J) to the bottom of umbrella pole (B) as shown. Place the umbrella pole (B) over the hole in the umbrella base (A) and align washer (I), then fix from the underside of the base using the flat washer (E), spring washer (F) and hex bolt (G), tighten firmly using the wrench (H).

Attach pole spacer (C) and tensioning screw (D) to the corresponding position of umbrella pole (B) as shown in the picture.



Step 2

Complete.



CLEANING & CARE

- Regular application of a water displacing and penetrating oil to the metal parts of the umbrella base will help to protect them against surface corrosion (remember to treat the bolt and washers on the underside of the base).
- Regular application of a plastic protectant to the base will help to protect it against damage from the harsh outdoor elements.
- During any extended periods of non-use, especially through the winter months your umbrella and the umbrella base should be stored inside in a dry place.