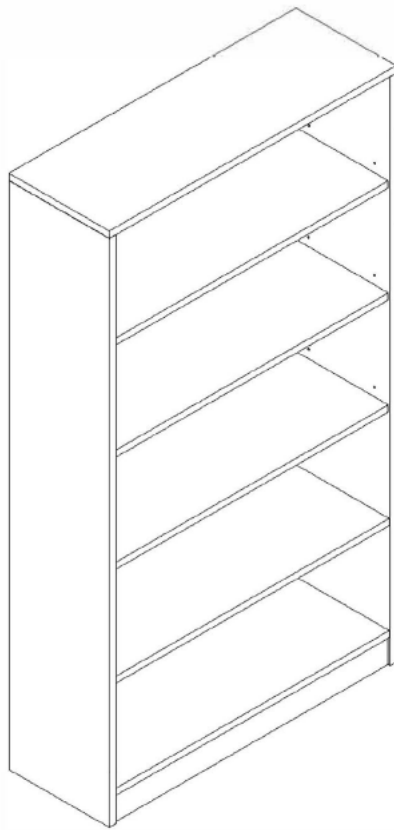


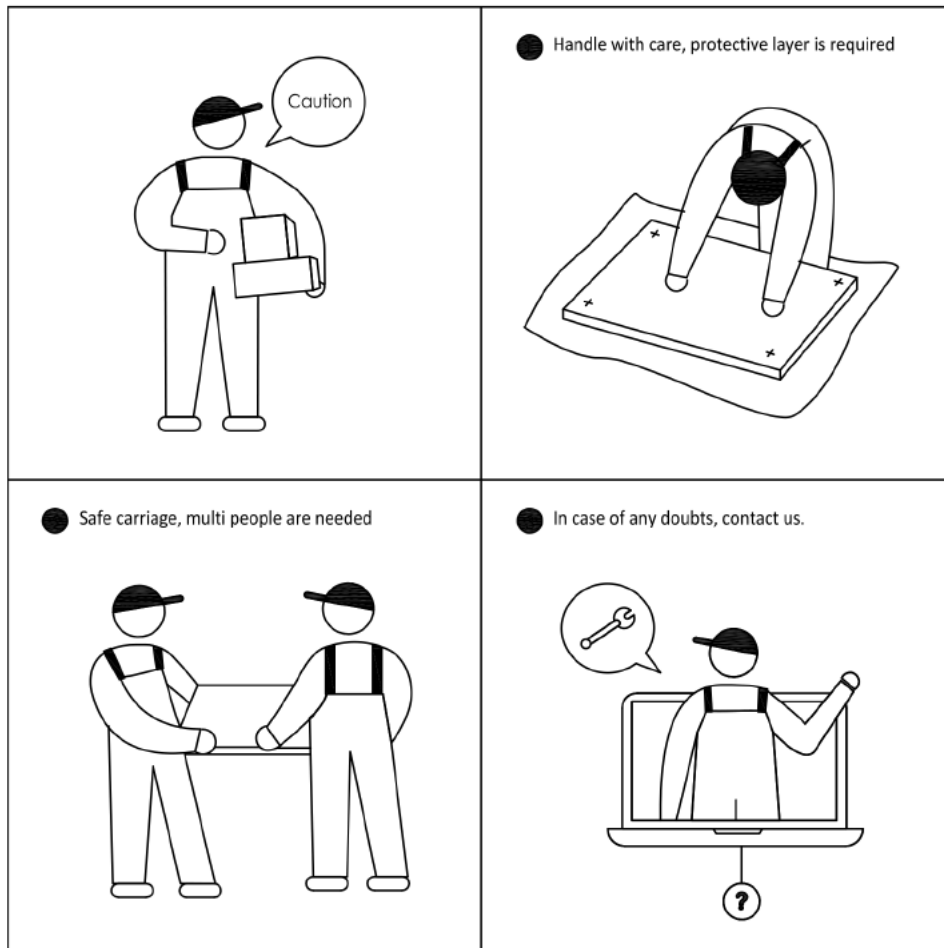
Assembly Manual

5-Tier Bookcase



Please read this manual carefully before any operation and keep it properly for future use.

Installation Notes



Attention: A Philips screwdriver is needed. Please prepare in advance as it is NOT included in the package. Don't tighten all the screws until all the pieces are fitted.

Contact us! We're here to help

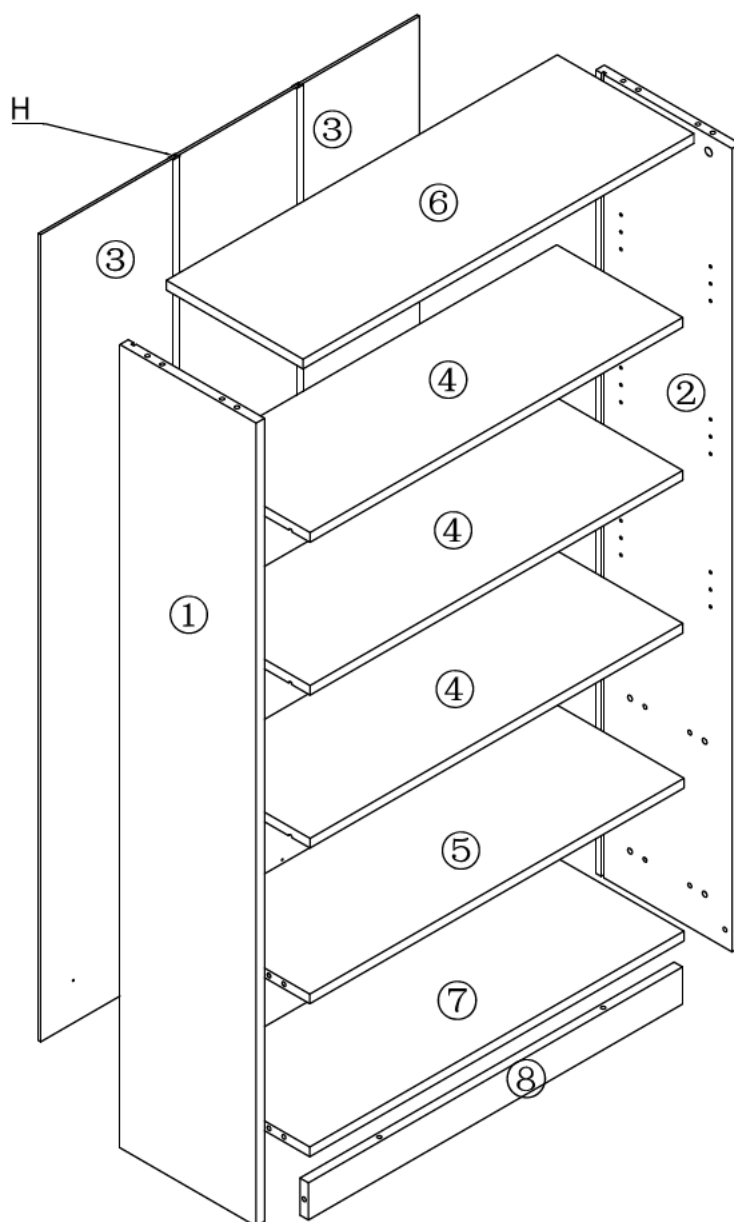
If you are missing pieces or get damaged items, just sending us you Address, and phone number, we will offer free replacement parts to you.

order ID, Item Picture,

You will enjoy **TWO YEARS WARRANTY** after the Date of the Purchase of Viclax Branded Product.

If you need any help, please contact us




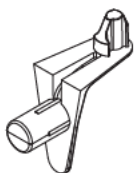


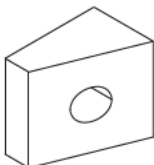
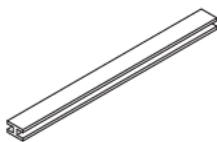
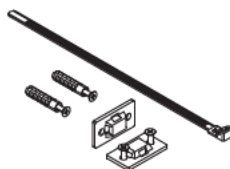

Exploded View



No.	Component	PCS
1	Left panel	1
2	Right panel	1
3	Back panel	3
4	Movable shelf	3
5	Fixed Panel	1

No.	Component	PCS
6	Top panel	1
7	Bottom panel	1
8	Skirt panel	1
H	Back Bar	1

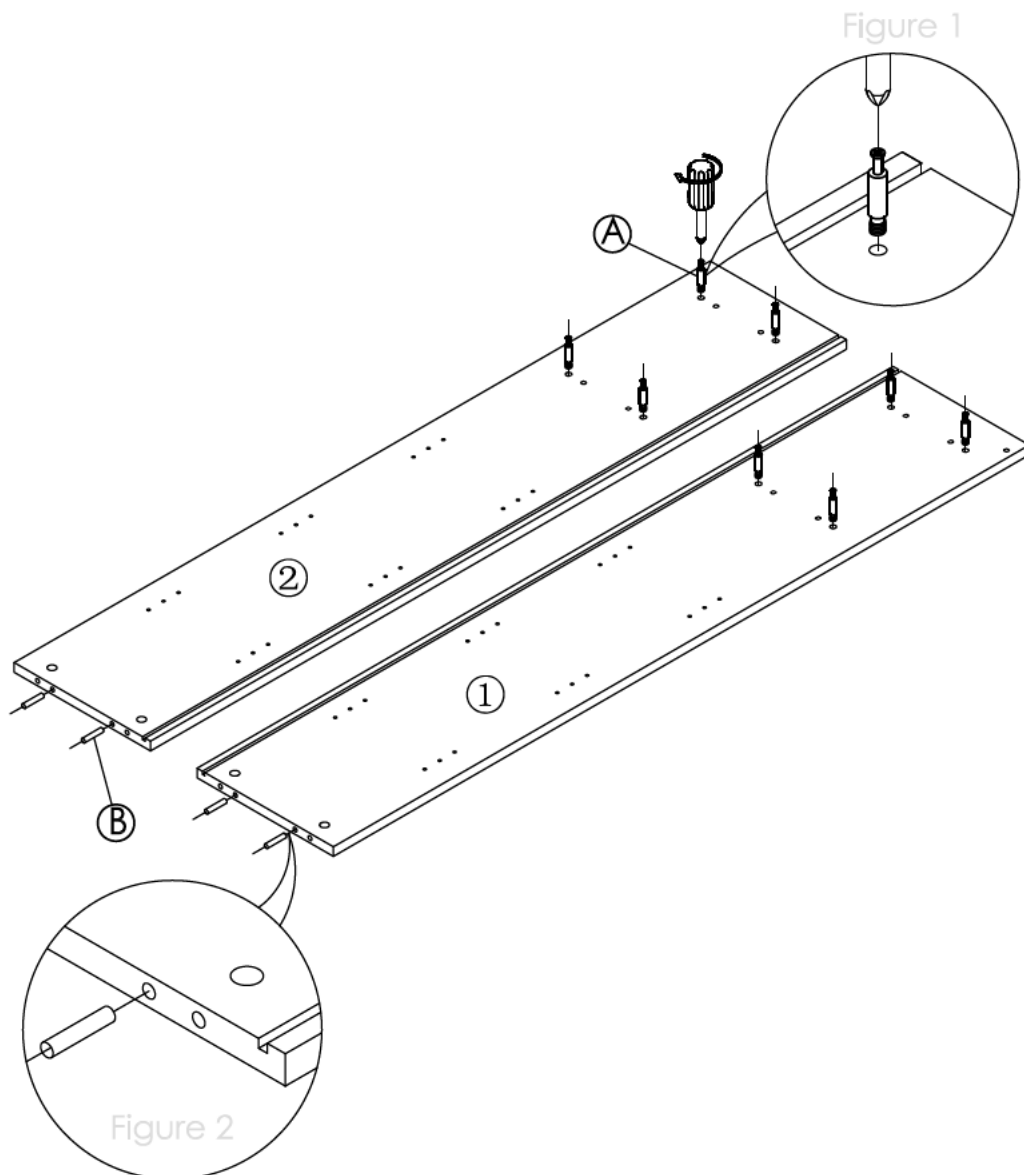
Components list



A			B			C		
								
Cam Lock Pin	M6x40	14+2	Wooden Dowel	Φ8x40	15+2	Self-tapping Screw	ST3*16	13+2
D			E			F		
								
Shelf Support	21*20.8*9	12+2	Adjustable Leg	M6*18	4+1	Cover for Klix Cam	Φ20x0.2	14+2
G			H			I		
								
Back Panel Stabilizer	15*14*10	6+2	Back Bar	1188*16*10	2	Anti-Toppling Device		1
J								
								
Klix Cam	Φ15x12	14+2						

Assembly Instruction

STEP 1

Assemble the left and right panels with cam lock pin (As shown in figure 1). Place the wooden dowels into the corresponding holes of left and right panels (As shown in figure 2).

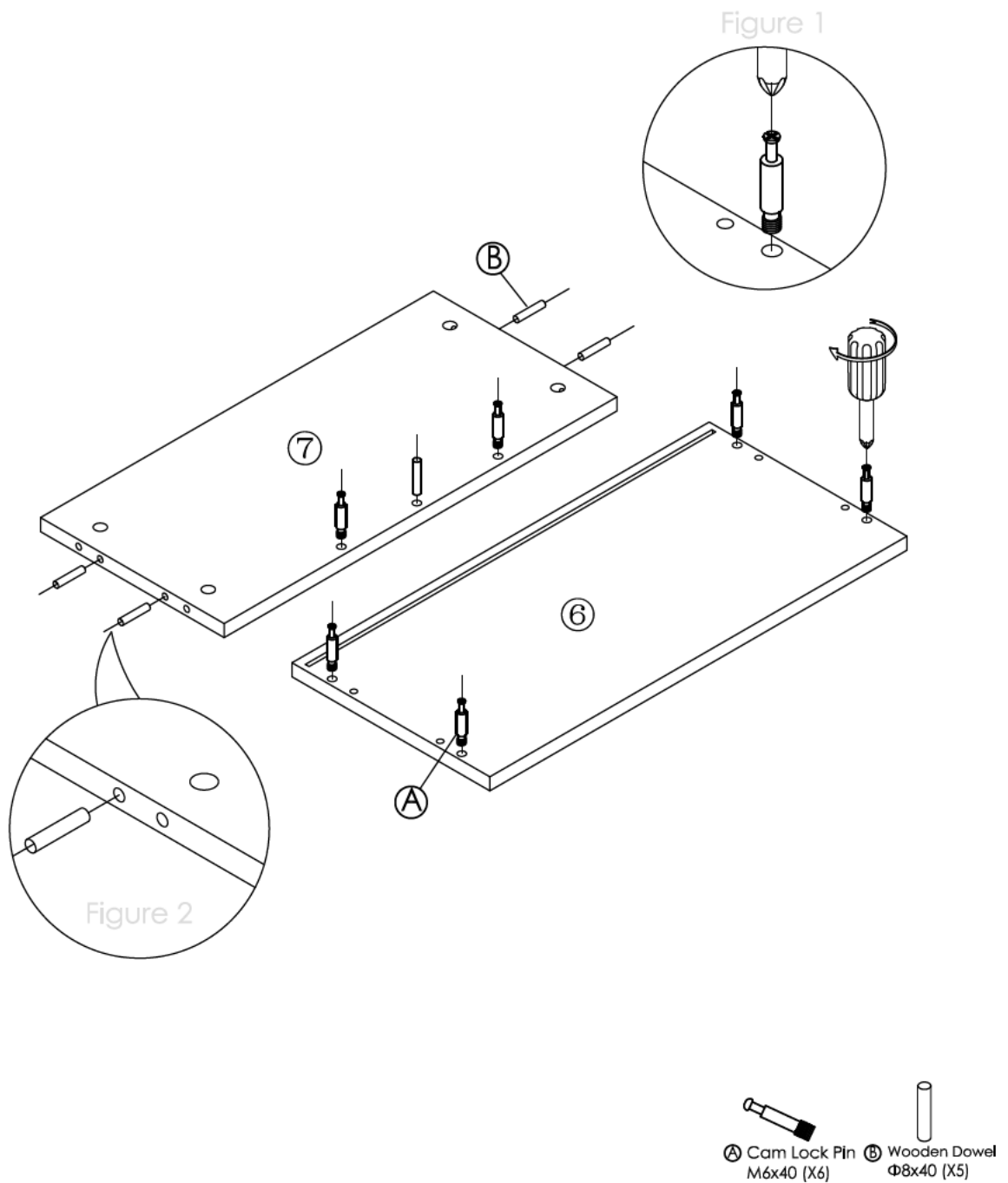


-  (A) Cam Lock Pin M6x40 (X8)
-  (B) Wooden Dowel Φ 8x40 (X4)

Assembly Instruction

STEP 2

Assemble the top and bottom panels with cam lock pin (As shown in Figure 1 below).
Place the wooden dowels into the corresponding holes (As shown in Figure 2 below).



Assembly Instruction

STEP 3

Attach the skirt panel to the bottom panel and lock the klix cam (as shown in Figure 1 below).

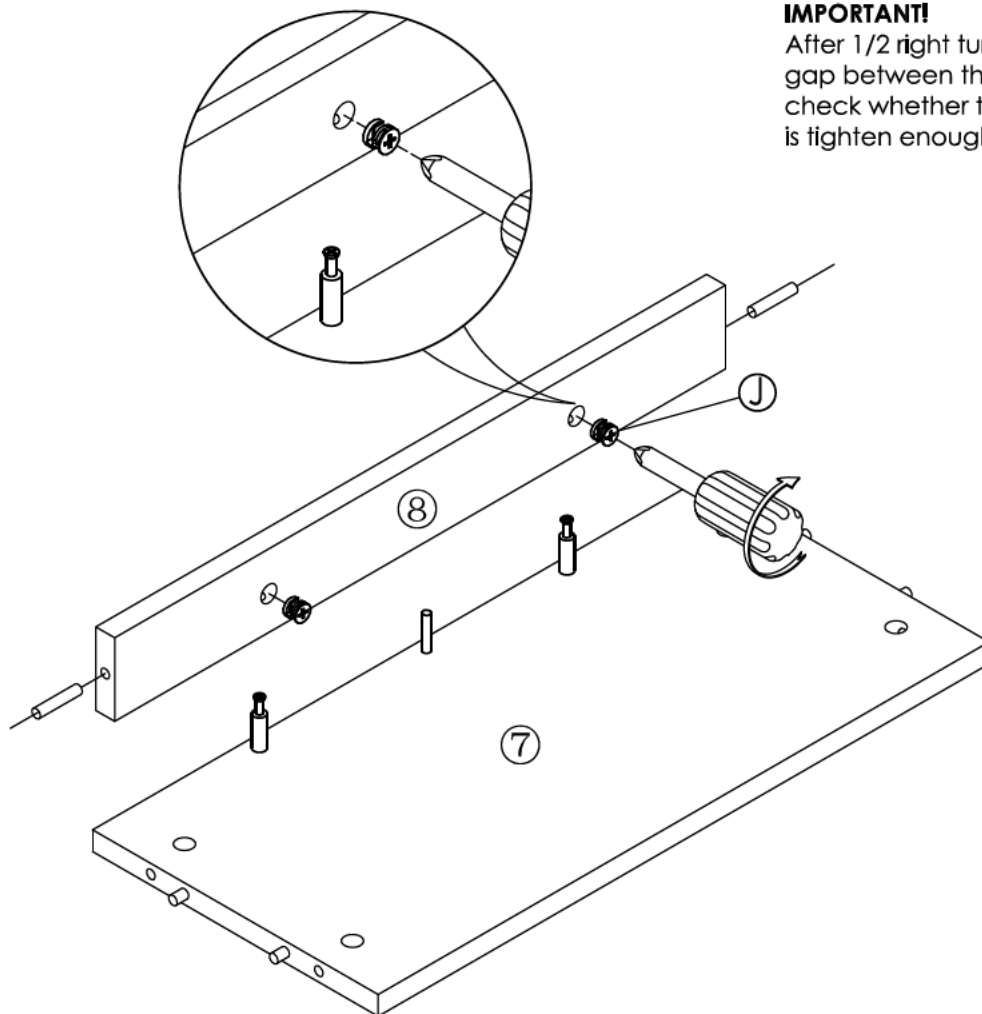
FUNCTION OF KLIX CAM



1/2 RIGHT
TURN FOR
LOCKING



MAKE SURE THE ARROW OVER AGAINST THE
TOPSIDE OF CAM LOCK PIN BEFORE
INSERTING INTO THE PANEL'S HOLE

Figure 1



IMPORTANT!

After 1/2 right turn, if there is a gap between the panels, please check whether the cam lock pin is tighten enough.

-  Wooden Dowel
Φ8x40 (X2)
-  Klix Cam
Φ15x12 (X2)

Assembly Instruction

STEP 4

Connect the left and right panels to the bottom panel & fixed panel and lock the klix cam.

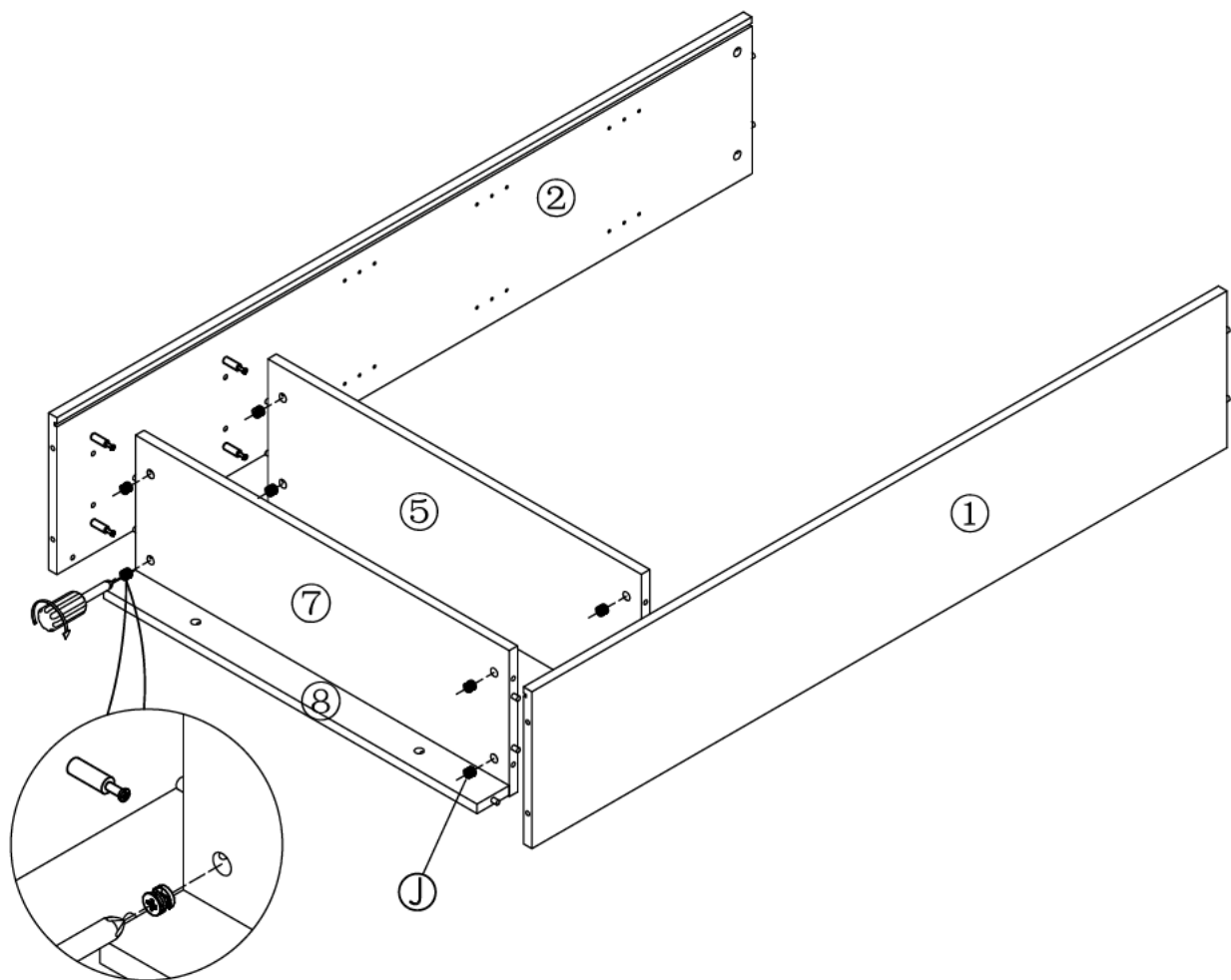


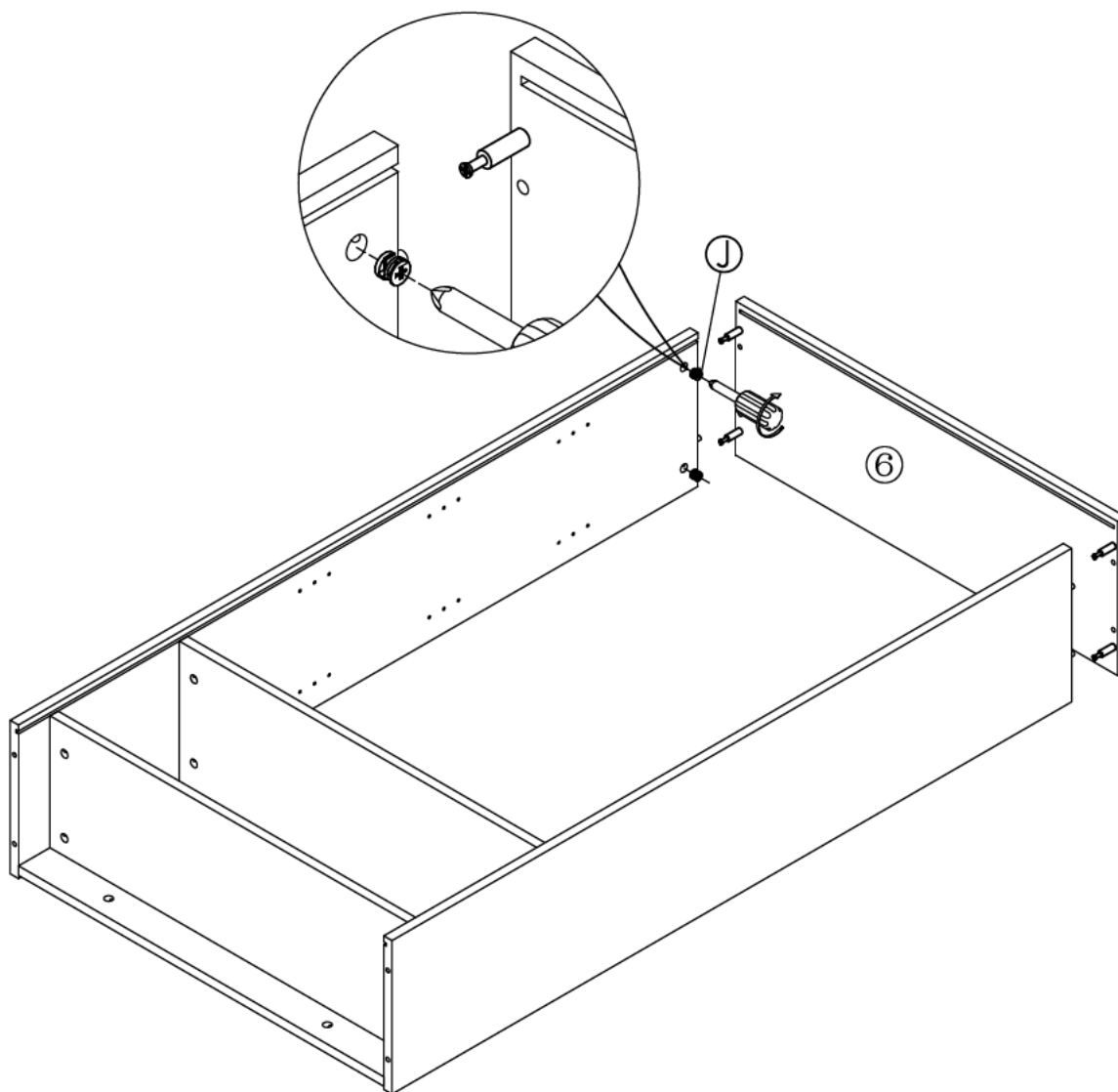
Figure 1

 Klix Cam
Φ15x12 (X8)

Assembly Instruction

STEP 5

Connect the assembled frame to the top panel and lock the klix cam (as shown in Figure 1 below).

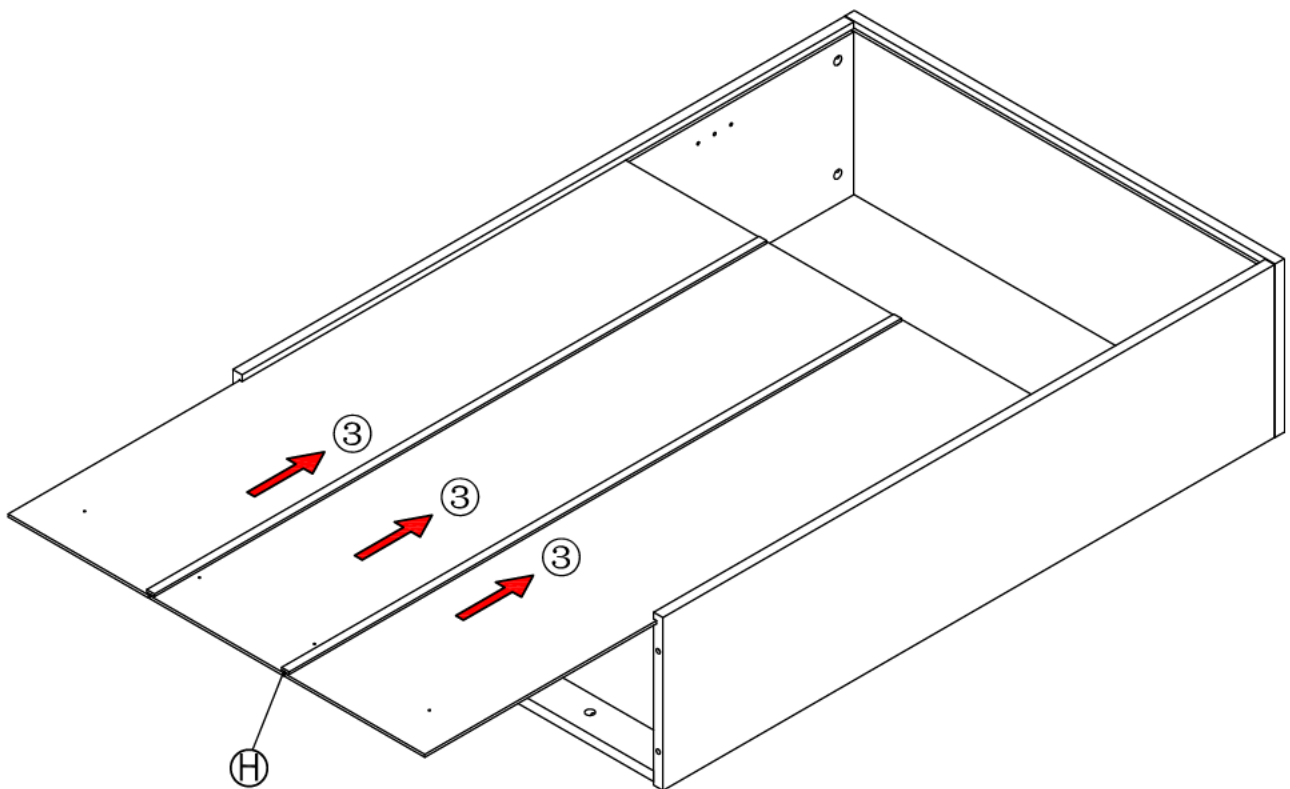



Klix Cam
Φ15x12 (X4)

Assembly Instruction

STEP 6

Insert the back panel into the back panel slot (as shown in the figure below).



Assembly Instruction

STEP 7

Fix the back panel with ST3*16 self-tapping screws as shown in Figure 1. Screw the adjustable legs into the corresponding holes at the bottom of the left and right panels, and adjust the height to make them even if needed.

Figure 1

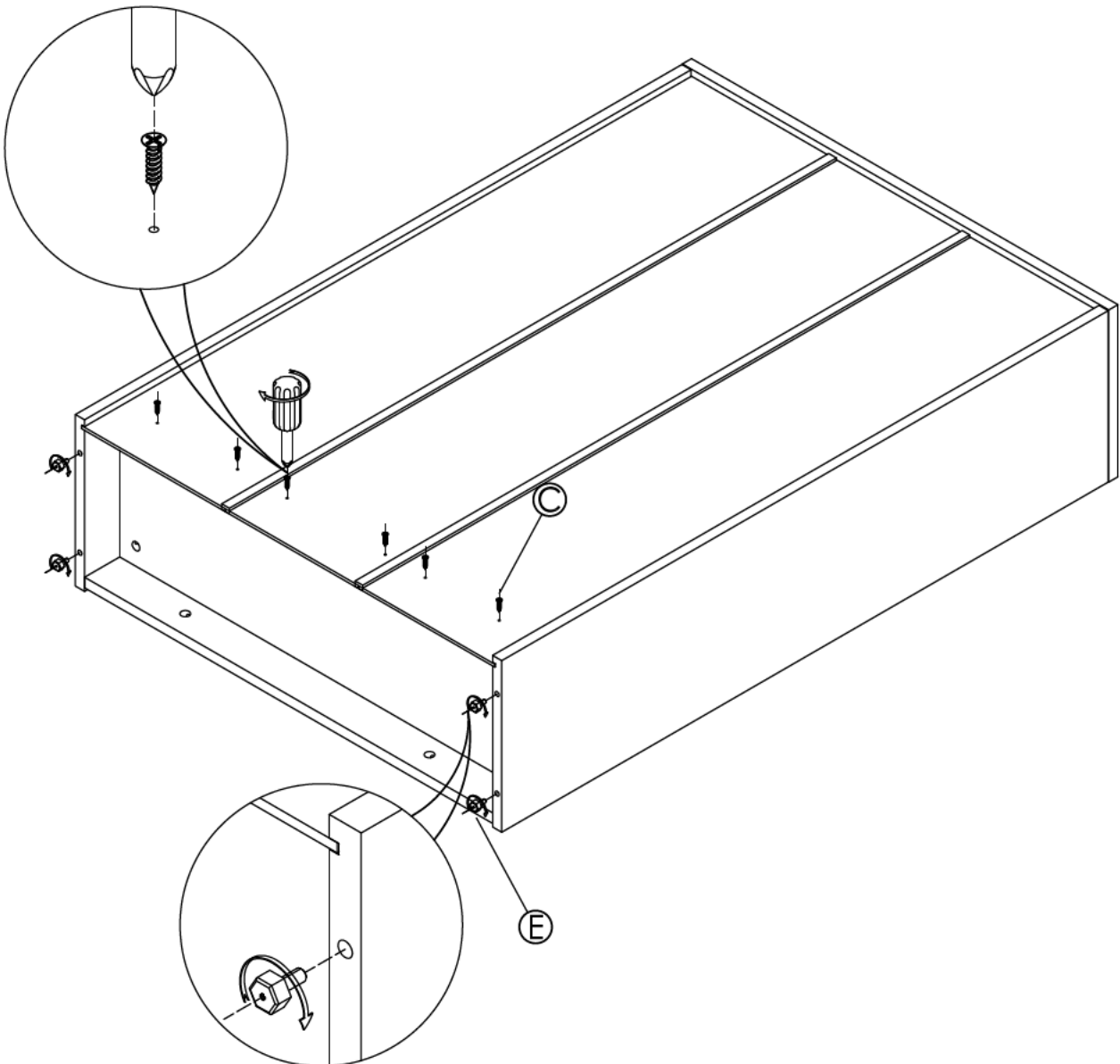




Figure 2

-  Adjustable Leg
M6x18 (X4)
-  Self-tapping Screw
ST3x16 (X6)

Assembly Instruction

STEP 8

Press the back panel stabilizer into the gap at the back of the back panel. Then fix the back panel stabilizer with self-tapping screws (ST3 * 16).

Figure 1

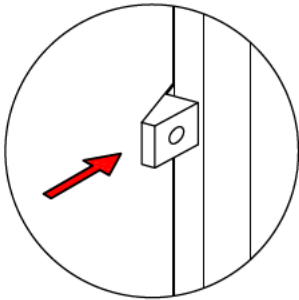
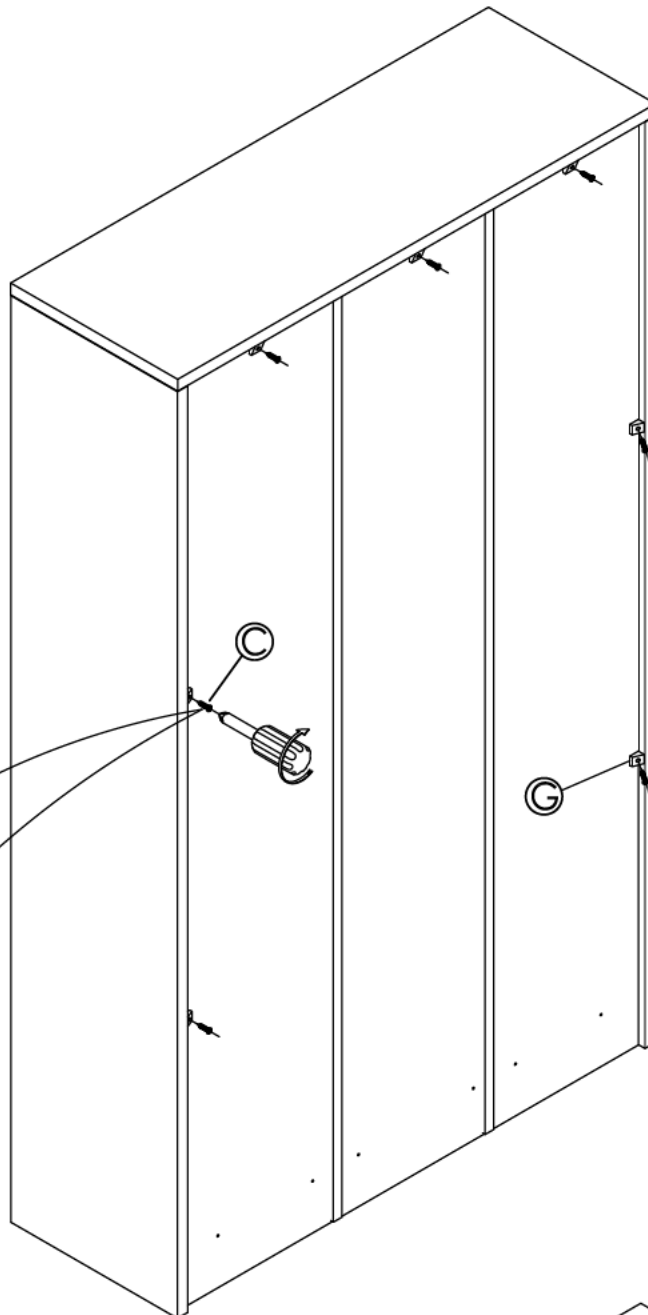
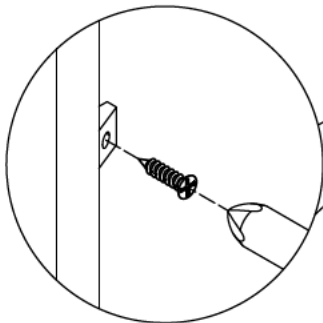



Figure 2



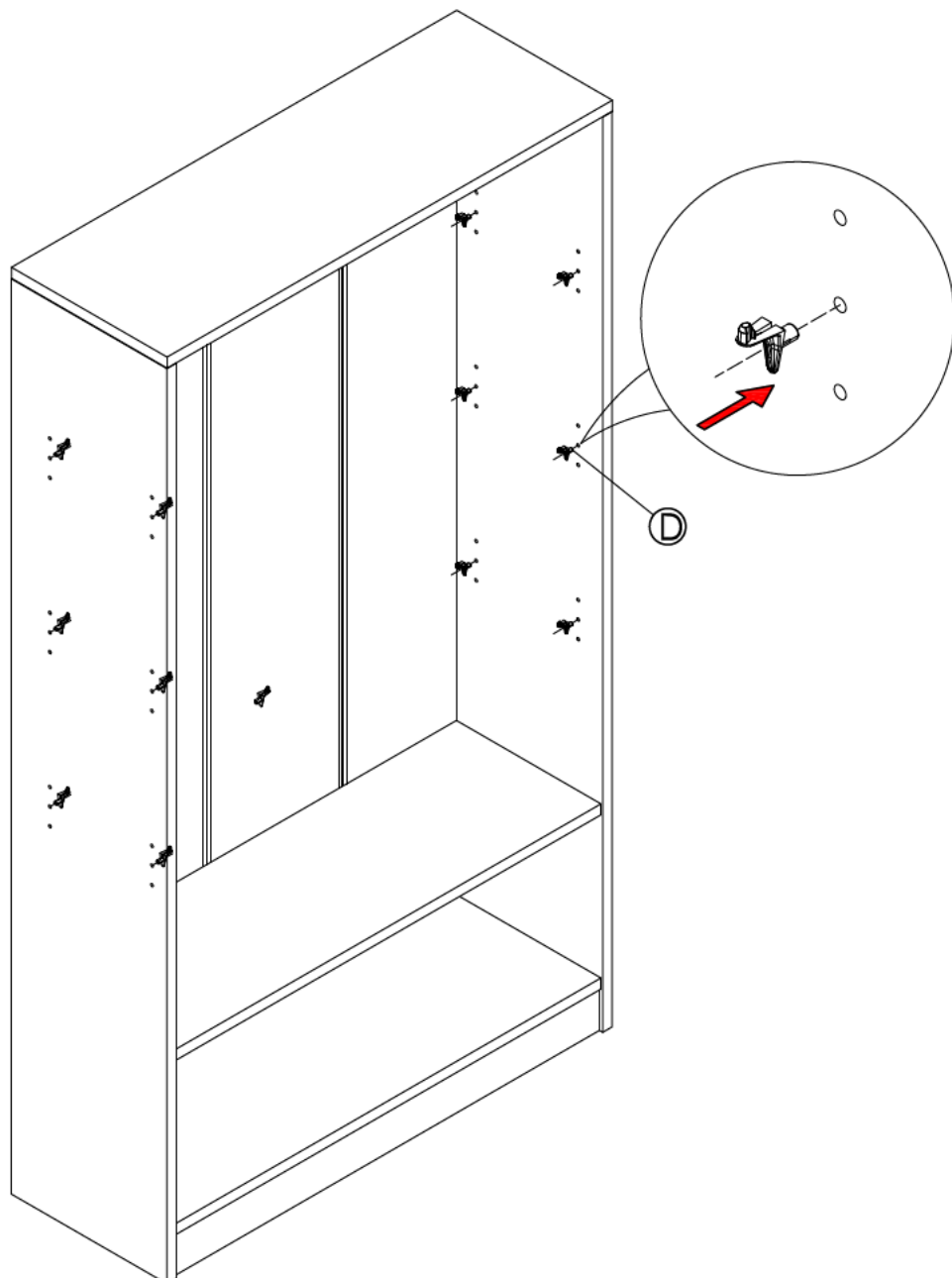

Back Panel Stabilizer
15x14x10 (X7)


Self-tapping Screw
ST3x16 (X7)

Assembly Instruction

STEP 9

Put the shelf supports ($\Phi 5 \times 15.5$) in place to have different space as you desire.

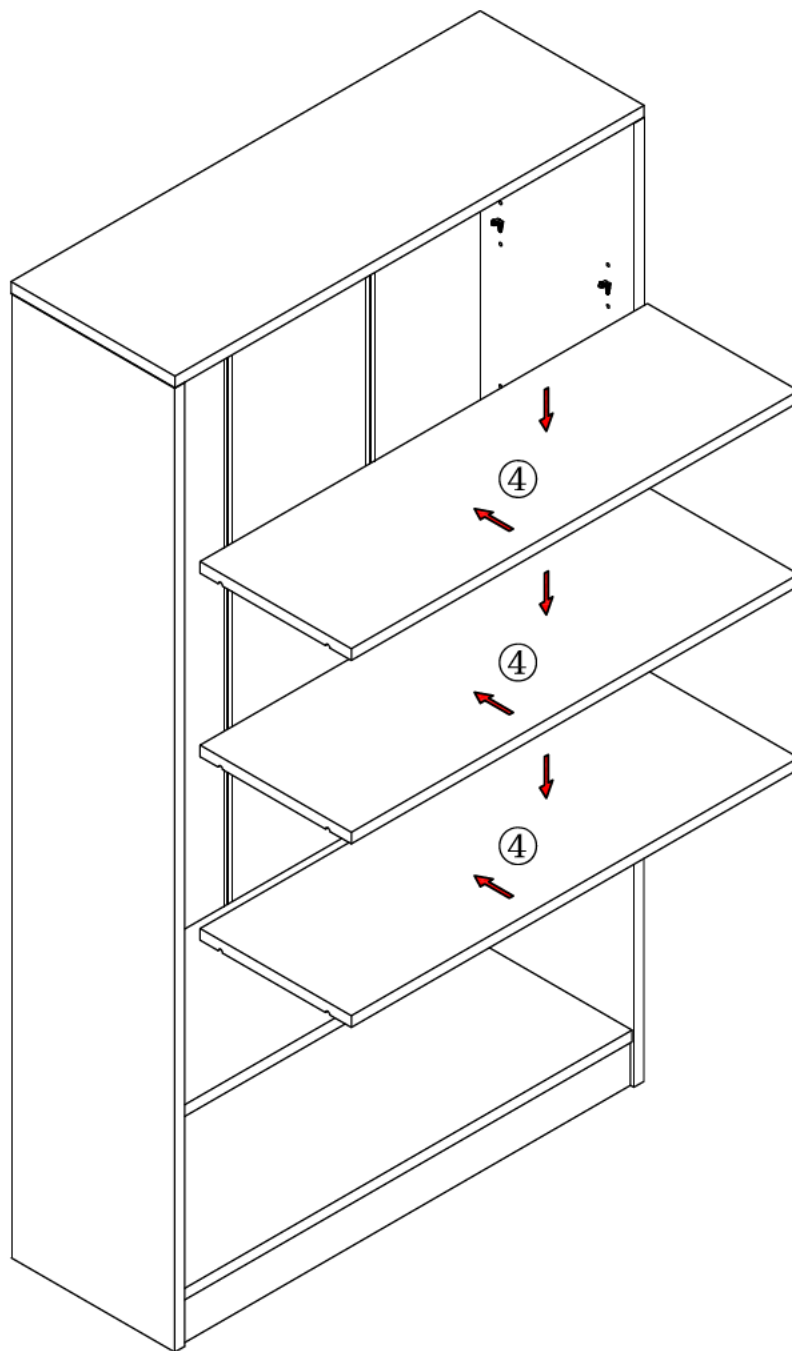


Ⓧ Shelf Support
21*20.8*9 (X12)

Assembly Instruction

STEP 10

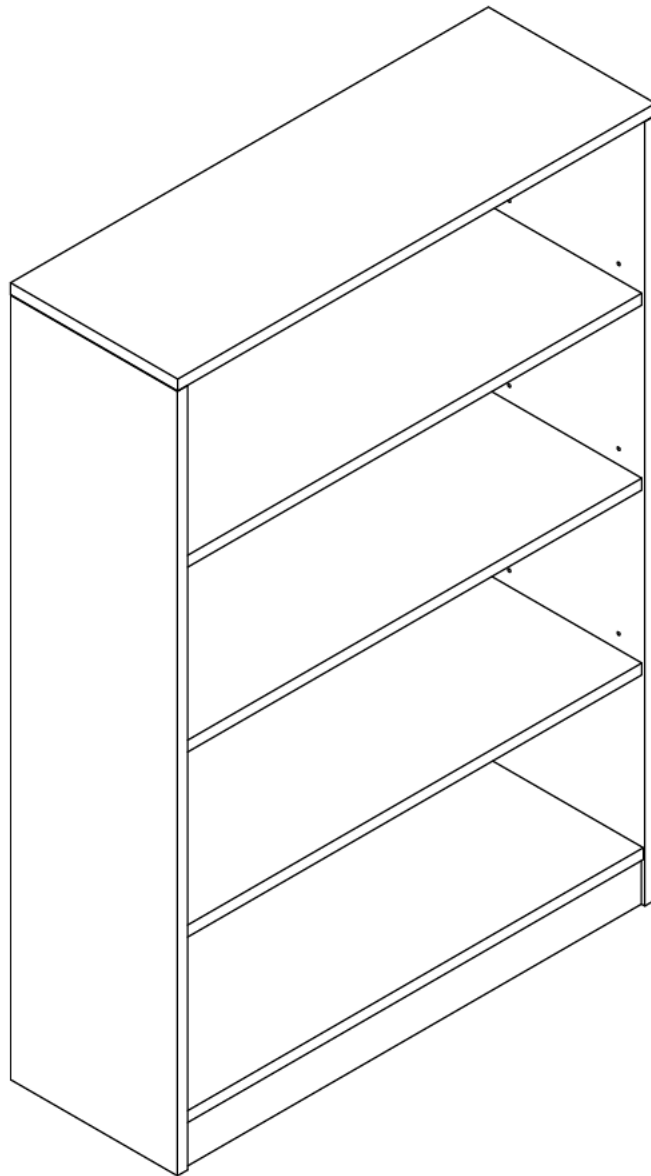
Place the movable panels accordingly. Make sure the panels are just right on the shelf supports.



Assembly Instruction

STEP 11

Place covers for klix cam.
Completed.




Ⓢ Cover for
Klix Cam
Φ20x0.2 (X9)

Assembly Instruction

STEP 12

Be sure to tighten nylon strap in case the bookcase topples over.

