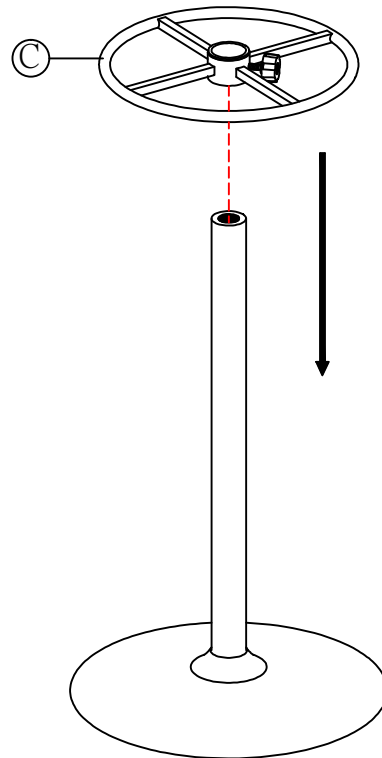
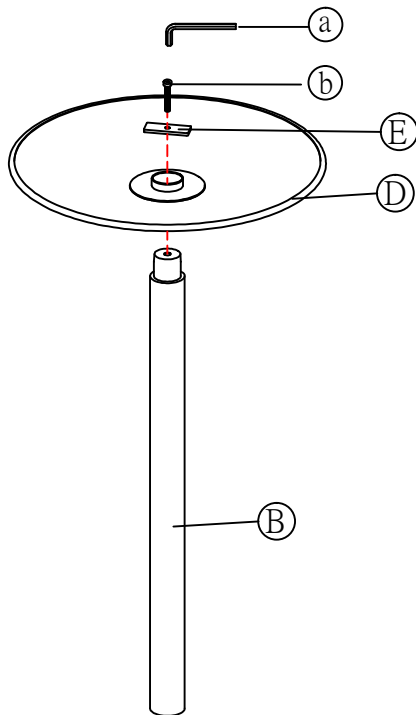


THANK YOU FOR PURCHASING THIS QUALITY PRODUCT.
 BE SURE TO CHECK ALL PACKING MATERIAL CAREFULLY FOR SMALL PARTS THAT MAY HAVE COME LOOSE INSIDE THE CARTON DURING TRANSIT.

Step 1

Step 2



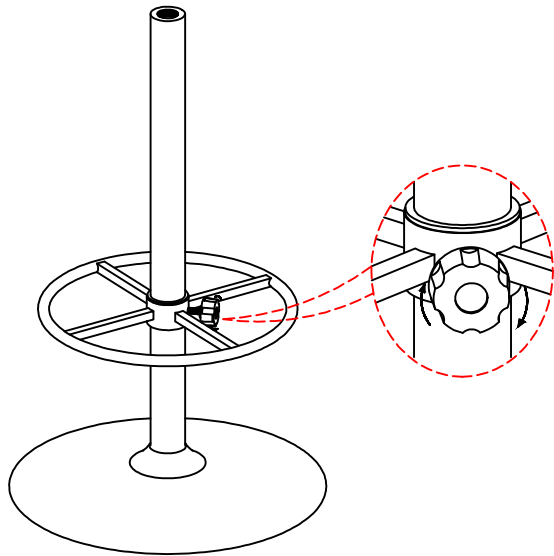
PARTS LIST:

NO	DESCRIPTION	SIZE(mm)	SKETCH	QTY
A	TABLE TOP	φ762x10		1PC
B	COLUMN	φ60x826		1PC
C	FOOLTREST	φ450*45		1PC
D	BASE PLATE	φ550*78		1PC
E	LRON PLATE	t5. 0x30x78		1PC

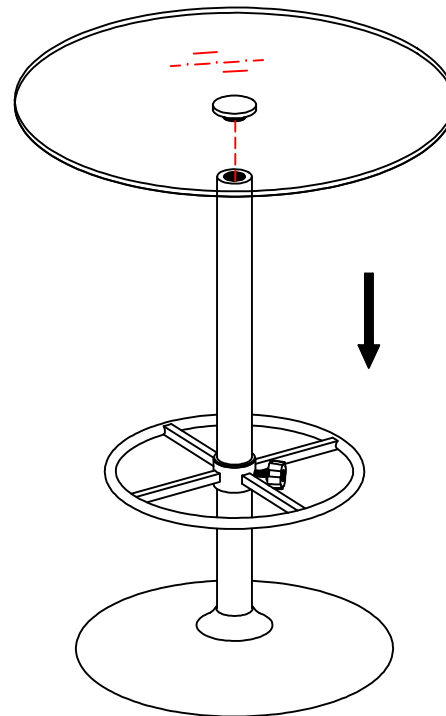
HARDWARE LIST:

NO	DESCRIPTION	SIZE(mm)	SKETCH	QTY
a	ALLEN KEY	8		1PC
b	SCREW	M10x25		1PC

Step 3



Step 4



FINISH

