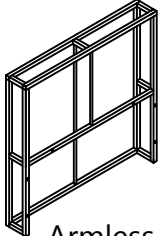


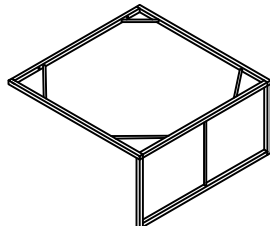
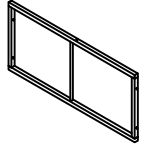
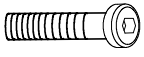


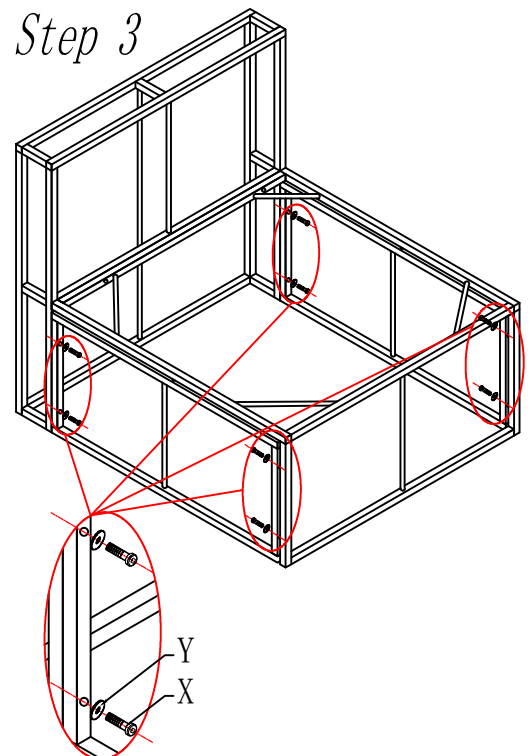
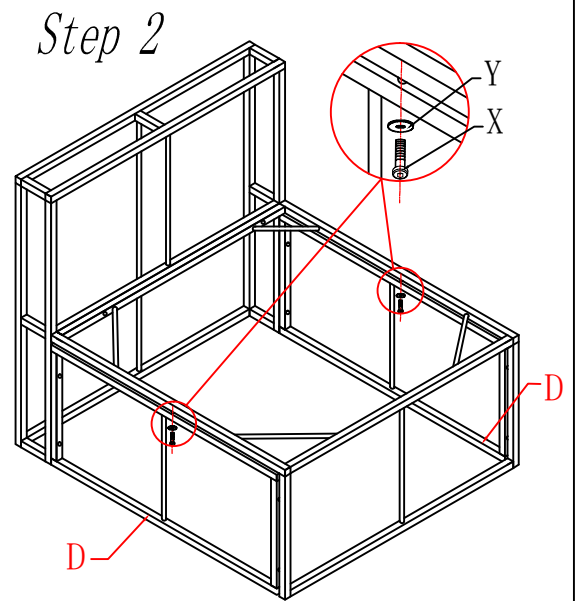
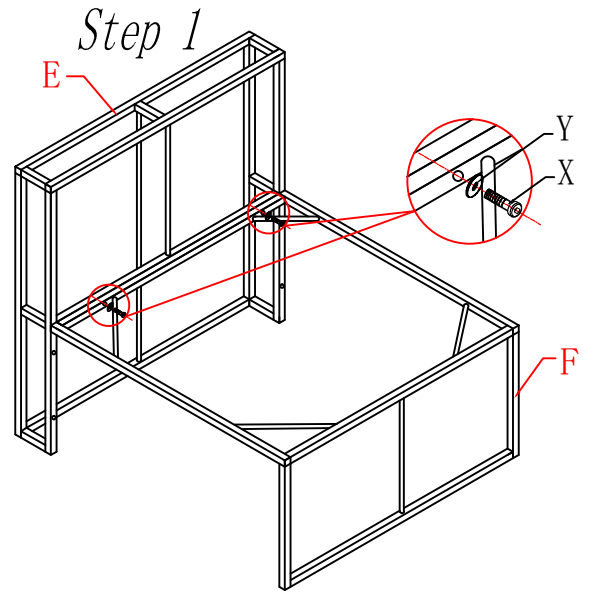


ASSEMBLY INSTRUCTIONS

E	 Armless Back	2	 63*63*8CM	2
			 32*63*10CM	2
F	 Armless Seat	2		
D	 Side Board	4		
X	 M6*35	24		
Y		24		
Z		1		

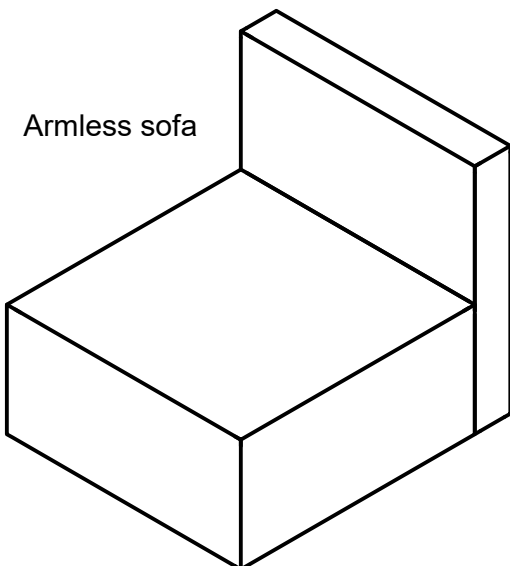


Notice:

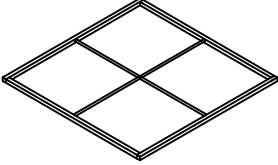
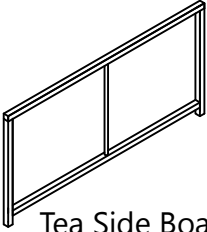
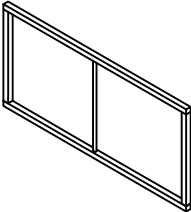
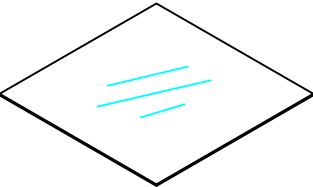
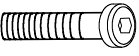

1. Remove the sponge from the cushion when washing.
2. Hand wash only. The washing machine and brush harm the fabric.



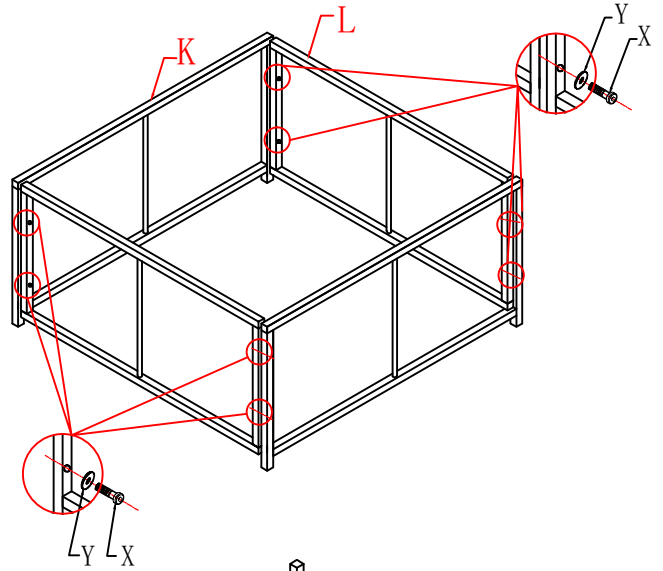
Armless sofa



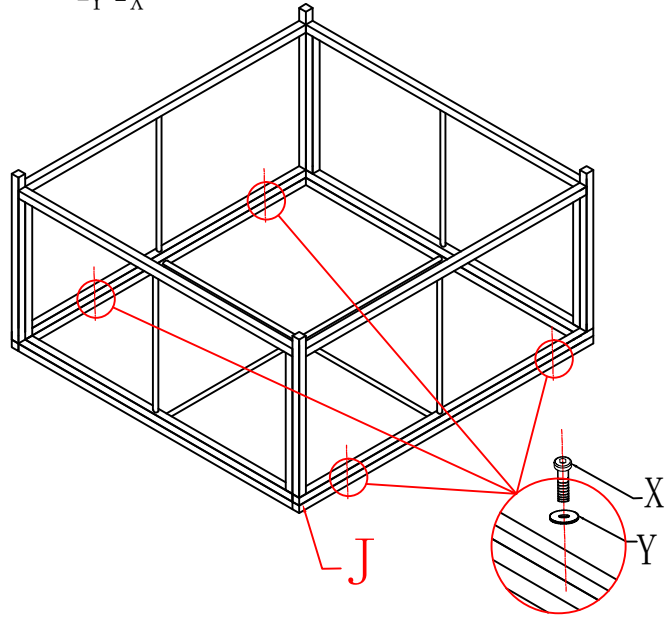
ASSEMBLY INSTRUCTIONS

J	 Tea Table Top	1
K	 Tea Side Board	2
L	 Tea Side Board	2
M	 Glass	1
X	 M6*35	12
Y		12

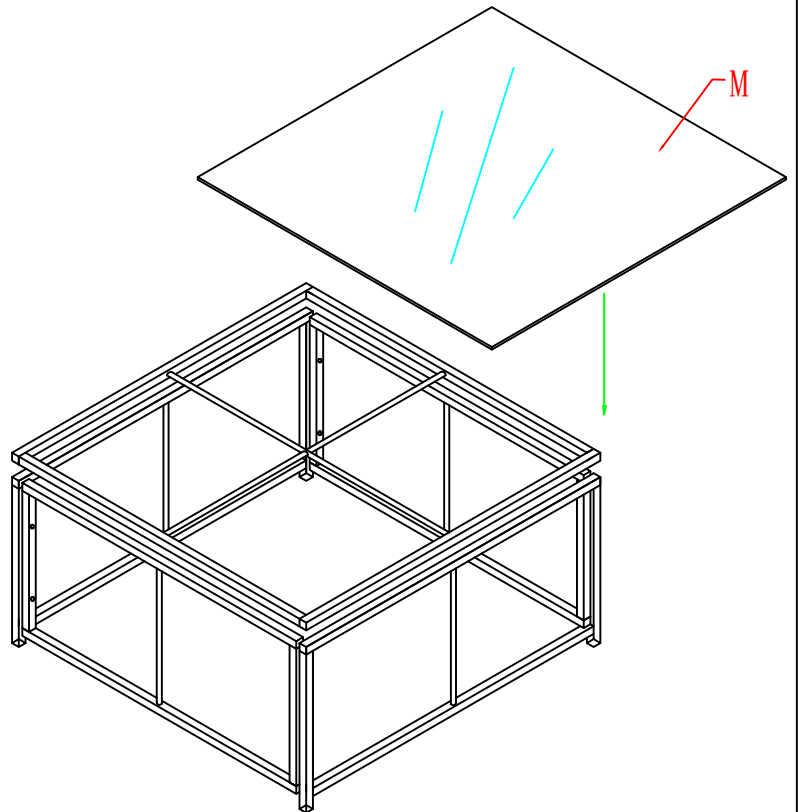
Step 1



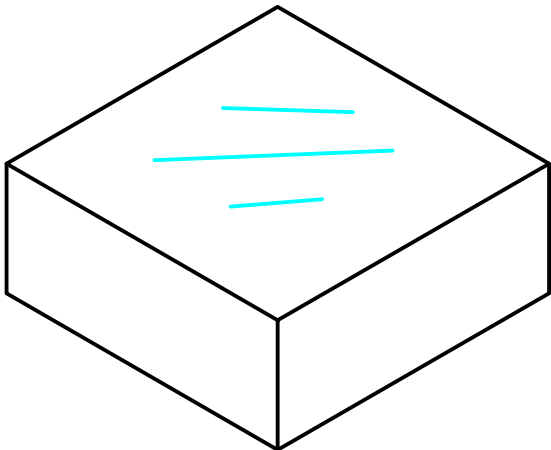
Step 2



Step 3



Coffee Table



1

The cushion can be fastened to the rattan with the effective horn button.



2

Open the rattan and fasten the horn button to a chosen position.



3

When fully inserted, it has spare tape to increase the cushion movement space



4

The cushion fixation is completed, if you any other problem, please contact seller

