

(B1-B3)

QUEEN SIZE BED

ASSEMBLY INSTRUCTIONS



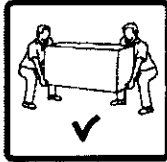
ASSEMBLY TIPS:

1. Remove Hardware from box and sort by size.
2. Please check to see that all hardware and parts are present prior to start of assembly.
3. Please follow attached instructions in the same sequence as numbered to assure fast & easy assembly.



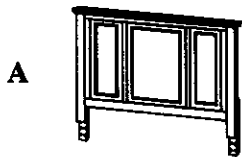
Warning !

1. Don't attempt to repair or modify parts that are broken or defective. Please contact the store immediately.
2. This product is for home use only and not intended for commercial establishment.



| | |
|---------------|------------|
| ASSEMBLY TIME | 35 MINUTES |
|---------------|------------|

PARTS IDENTIFICATION



HEADBOARD PANEL 1 PC



LEFT BED RAIL 1 PC



RIGHT BED RAIL 1 PC



FOOTBOARD 1 PC



LEFT HEADBOARD LEG 1 PC



RIGHT HEADBOARD LEG 1 PC








BED SLAT 4 PCS



BED SLAT SUPPORT WITH LEVELER 4 PCS

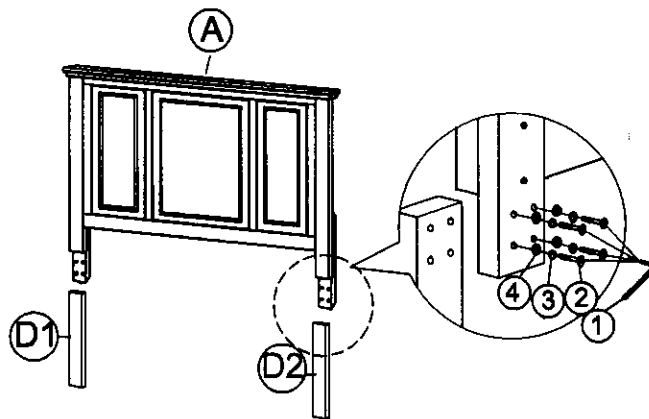
HARDWARE IDENTIFICATION

- | | | | |
|---|---|-----------------|-------|
| 1 |  | ALLEN WRENCH | 1 PC |
| 2 |  | SHORT BOLT | 8 PCS |
| 3 |  | LOCK WASHER | 8 PCS |
| 4 |  | FLAT WASHER | 8 PCS |
| 5 |  | FLAT HEAD SCREW | 8 PCS |

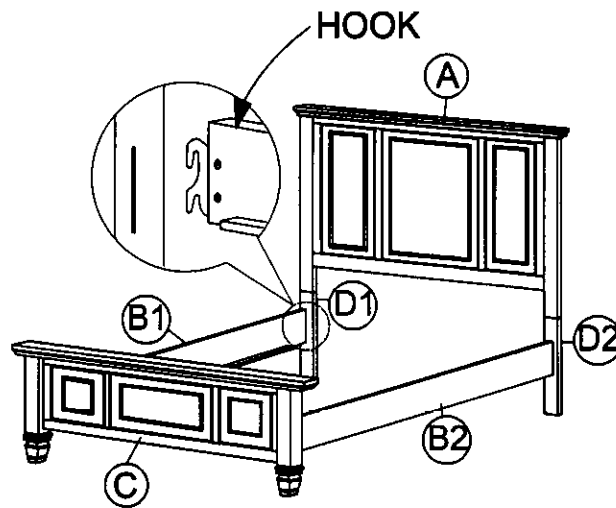
**NOTE :PHILLIPS HEAD SCREW DRIVER IS REQUIRED IN THE ASSEMBLY PROCESS.
HOWEVER , MANUFACTURER DOES NOT PROVIDE THIS ITEM.**

NOTE :ALL HARDWARE WAS PACKED IN A BAG AND PUT IN HEADBOARD BOX (BOX 1)

STEP 1



STEP 2



STEP 3

