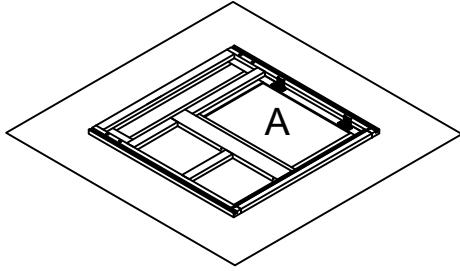


Base Cabinet Assembly Instruction

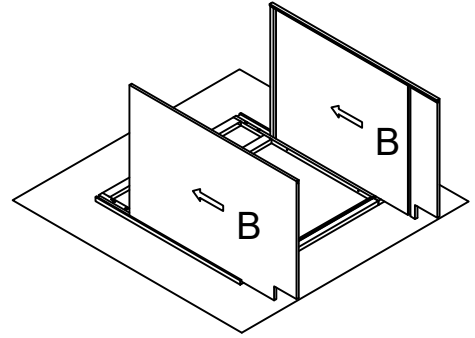
(Item:CVJ36-2R/CVJ36-2L)

| | | | | | | | | | | | | |
|--------------------|--------------------|---------------------|-----------------|-----------------|----------|-----------------------|------------|----------------------|---|----------------------|---|------------------------|
| Hard Ware List | 1 9PCS Ø4×25mm | 5 40PCS Ø4×12mm | 6 10PCS | 8 2SET | 9 4PCS | 10 2SET | 11 10PCS | | | | | |
| | Flat head screw | Flat head screw | Corner brackets | Slide | prop | slide lock | Bumper | | | | | |
| Cabinet Parts List | A | Frame+Door | B | Side panels(2) | C | Bottom panel | D | Back panel | E | Toe kick | | |
| | | | H | Drawer front(3) | I | Drawer front panel(2) | J | Drawer back panel(2) | K | Drawer side panel(4) | L | Drawer bottom panel(2) |
| | O | panel beam(2) | | | | | | | | | | |

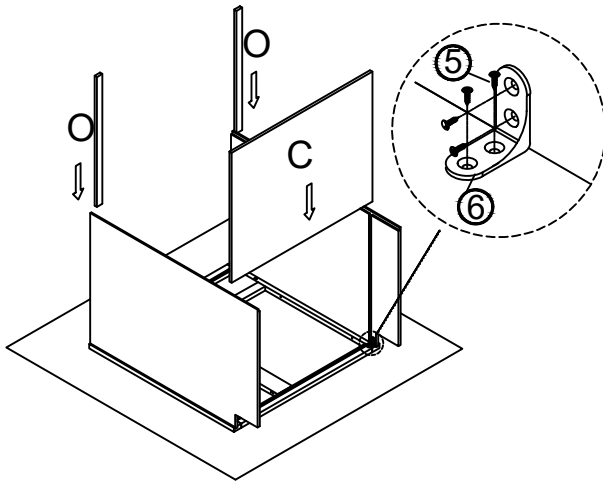
Step1:



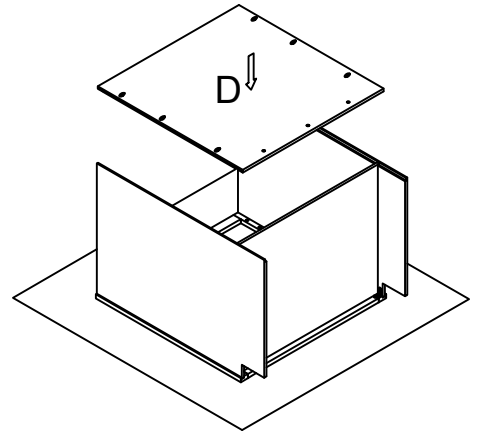
Step2:



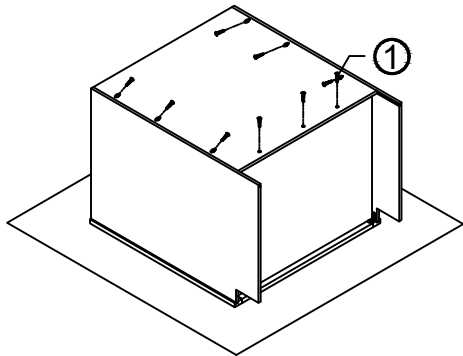
Step3:



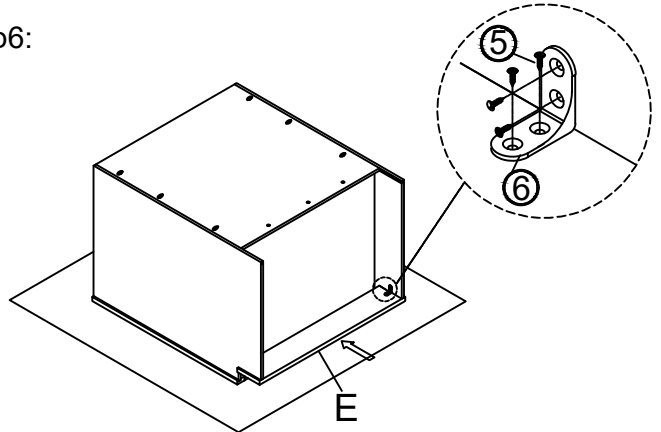
Step4:



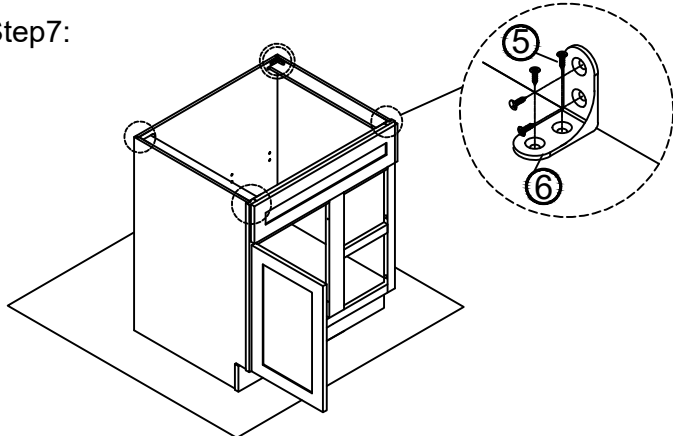
Step5:



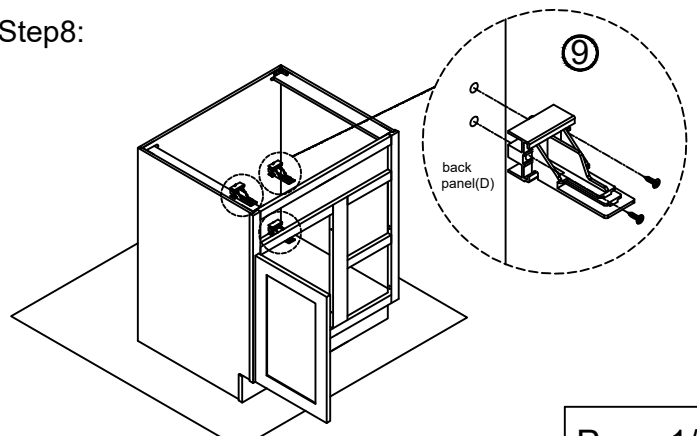
Step6:



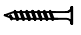






Step7:



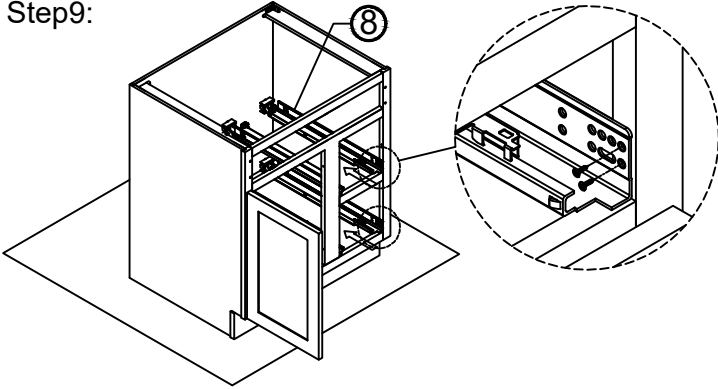
Step8:



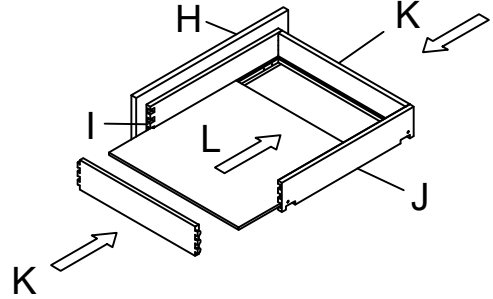
Base Cabinet Assembly Instruction (Item:CVJ36-2R/CVJ36-2L)

| | | | | | | | | | | | | |
|--------------------|---|---|---|---|---|---|---|----------------------|---|----------------------|---|------------------------|
| Hard Ware List | 1 9PCS Ø4×25mm | 5 40PCS Ø4×12mm | 6 10PCS | 8 2SET | 9 4PCS | 10 2SET | 11 14PCS | | | | | |
| | Flat head screw | Flat head screw | Corner brackets | Slide | prop | slide lock | Bumper | | | | | |
| |  |  |  |  |  |  |  | | | | | |
| Cabinet Parts List | A | Frame+Door | B | Side panels(2) | C | Bottom panel | D | Back panel | E | Toe kick | | |
| | | | H | Drawer front(3) | I | Drawer front panel(2) | J | Drawer back panel(2) | K | Drawer side panel(4) | L | Drawer bottom panel(2) |
| | O | panel beam(2) | | | | | | | | | | |

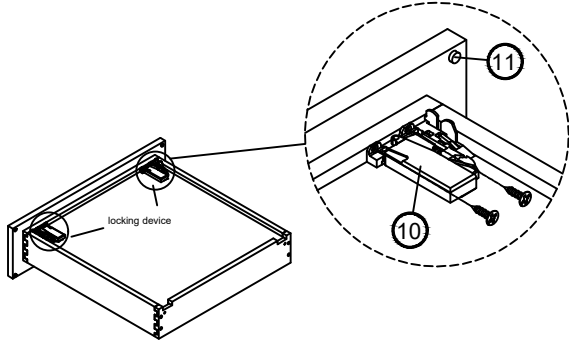
Step9:



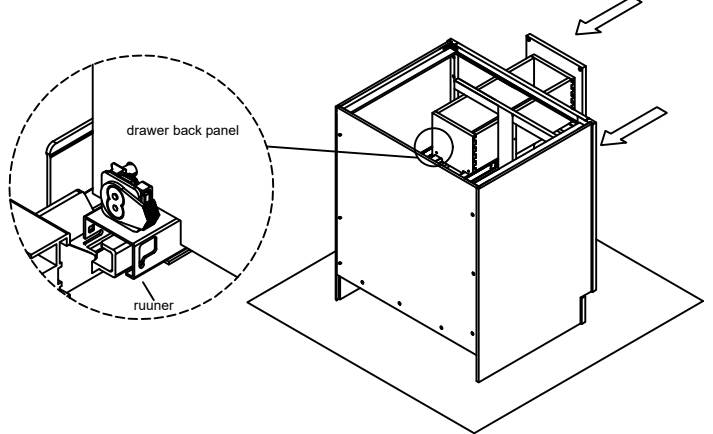
Step10:



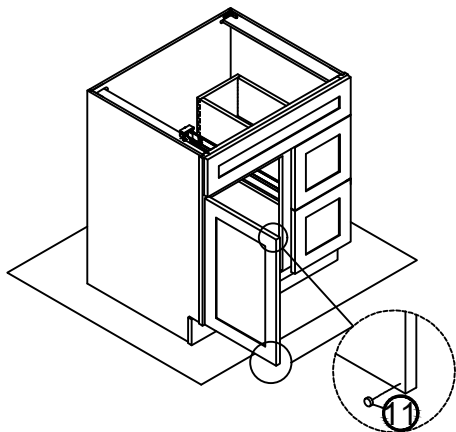
Step11:



Step12:



Step13:



Step14:

