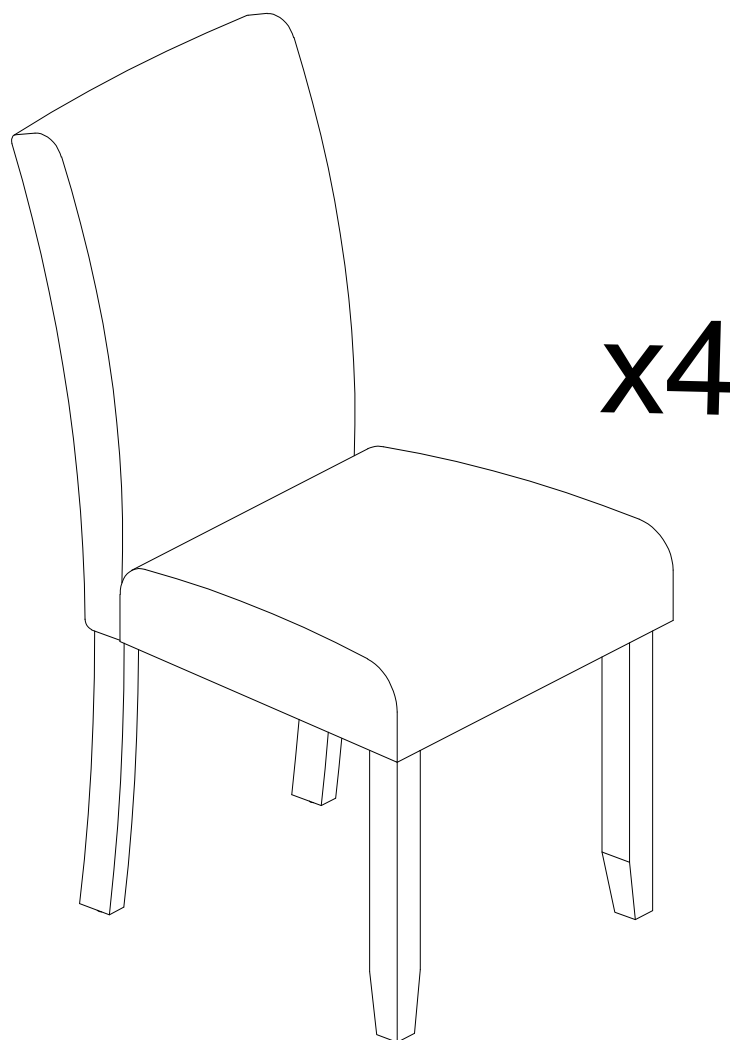
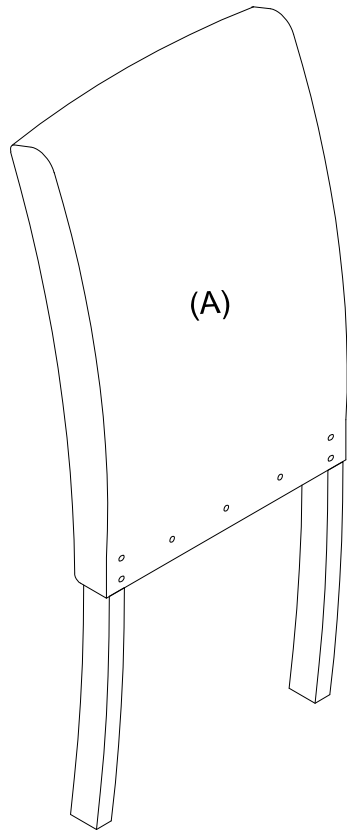


# ASSEMBLY INSTRUCTION (Instructions de montage)

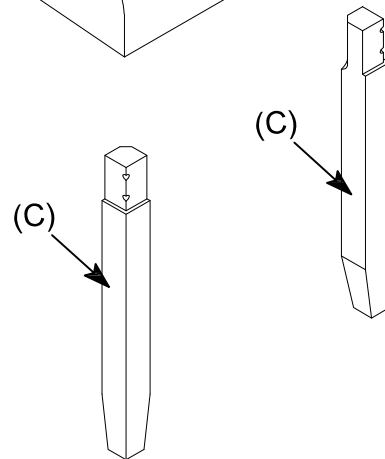
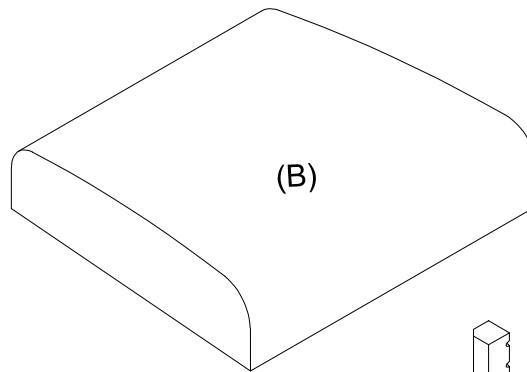


NOTE: 50% TIGHTEN BEFORE FIXING ALL BOLTS

(REMARQUE : SERRER À 50 % AVANT DE FIXER TOUS LES BOULONS)



x4

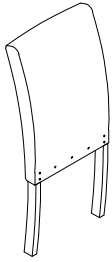


## Notice:

1. 50% Tighten before fixing all screws, Allen wrench is recommended instead of an electric drill.
2. Place the item on a flat ground to adjust and make sure it remains stable.
3. Tighten up all screws with tools gradually.
4. If the screws are not aligned with holes during assembly, please loosen all the other screws to 50% and continue the assembly process.
5. If the item is not stable, please loosen all the screws, adjust it on a flat ground and tighten up all screws again.
6. Note : If one or some screws are fully tightened during assembly, chances are the others will not be aligned with holes. In addition, all the holes are designed to be relatively larger to provide more space for the adjustment of the screws.

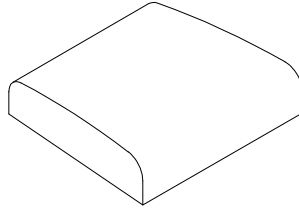
## PART LIST (LISTE DES PIÈCES)

A



Chair Back (4PCS)  
(Dossier de chaise)

B



Chair Seat (4PCS)  
(Siège de chaise)

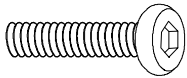
C



Front Leg (8PCS)  
(Patte de devant)

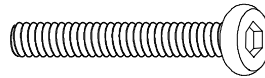
## HARDWARE LIST (LISTE DU MATÉRIEL)

1



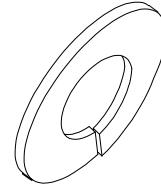
Bolt 5/16" x 50mm (20PCS)  
(Boulon)

2



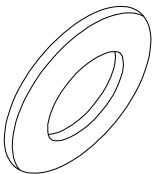
Bolt 5/16" x 80mm (16PCS)  
(Boulon)

3



Spring Washer (36PCS)  
(Rondelle élastique)

4



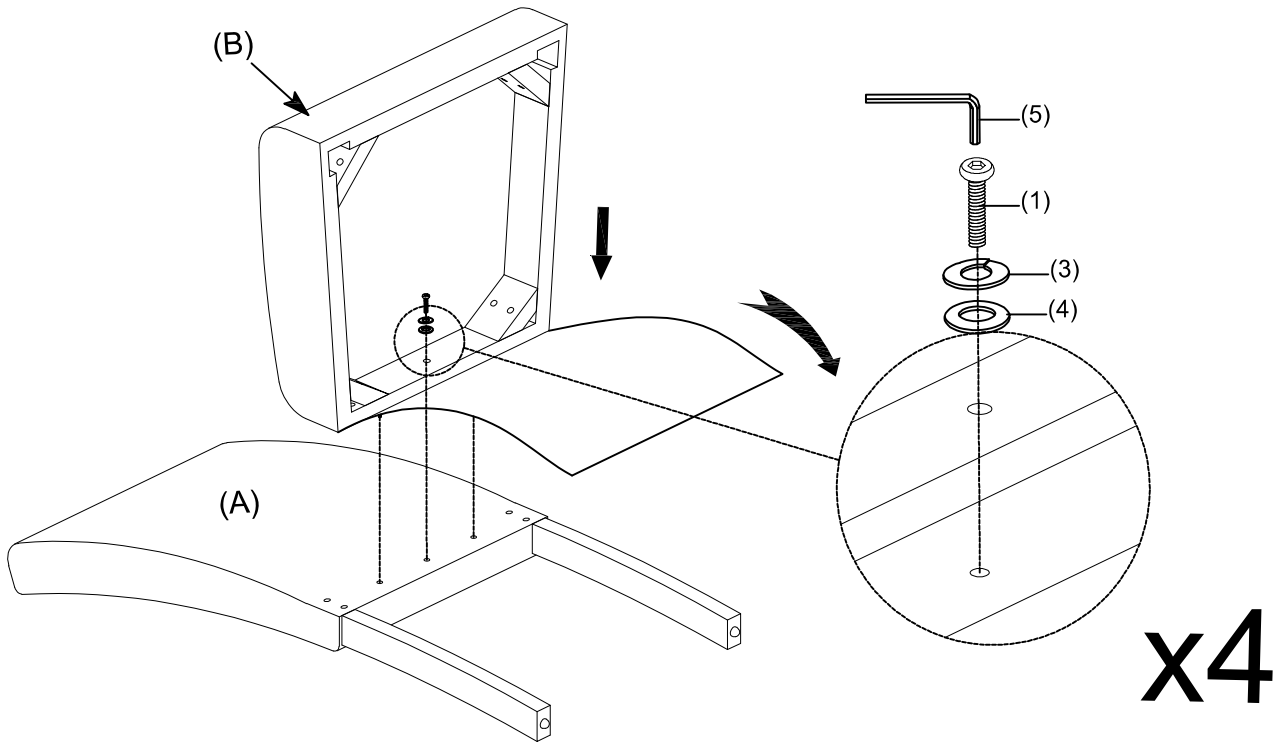
Flat Washer (36PCS)  
(Rondelle plate)





5



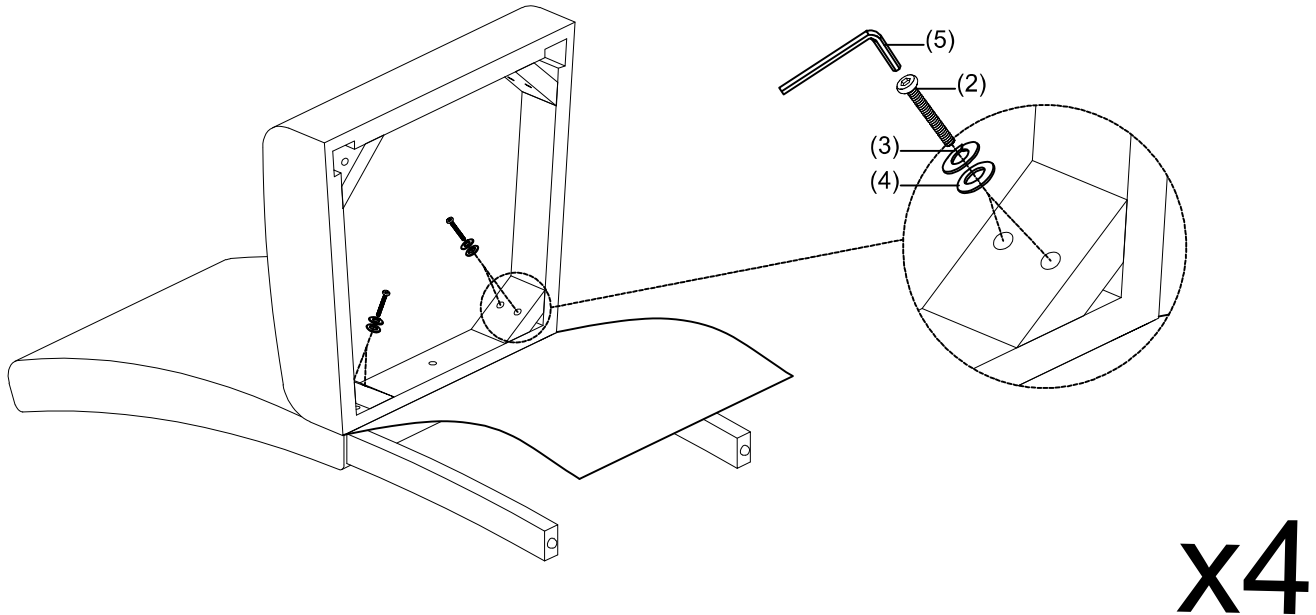
Allen Key 5mm (1PC)  
(Clé Allen)





## STEP 1



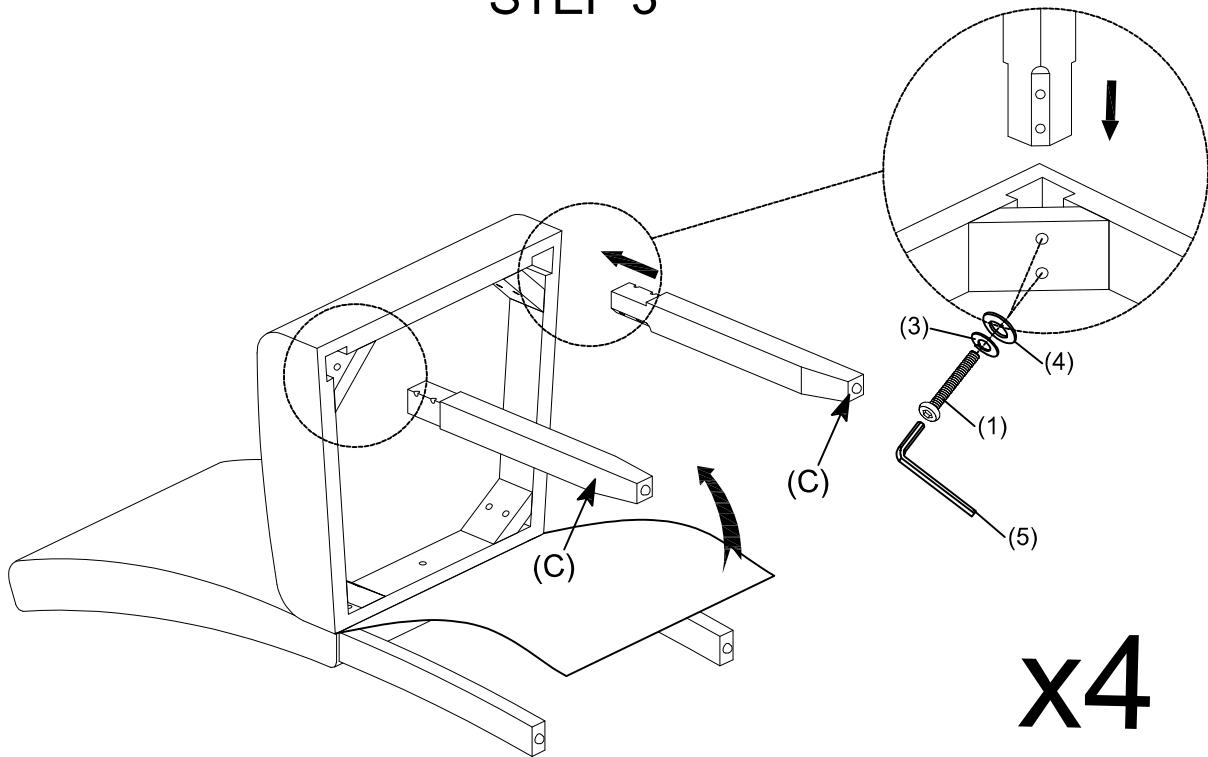
1		Bolt 5/16" x 50mm (Boulon)	1 pc	4		Flat Washer (Rondelle plate)	1 pc
3		Spring Washer (Rondelle élastique)	1 pc	5		Allen Key 5mm (Clé Allen)	1 pc

## STEP 2







2		Bolt 5/16" x 80mm (Boulon)	4 pcs	4		Flat Washer (Rondelle plate)	4 pcs
3		Spring Washer (Rondelle élastique)	4 pcs	5		Allen Key 5mm (Clé Allen)	1 pc

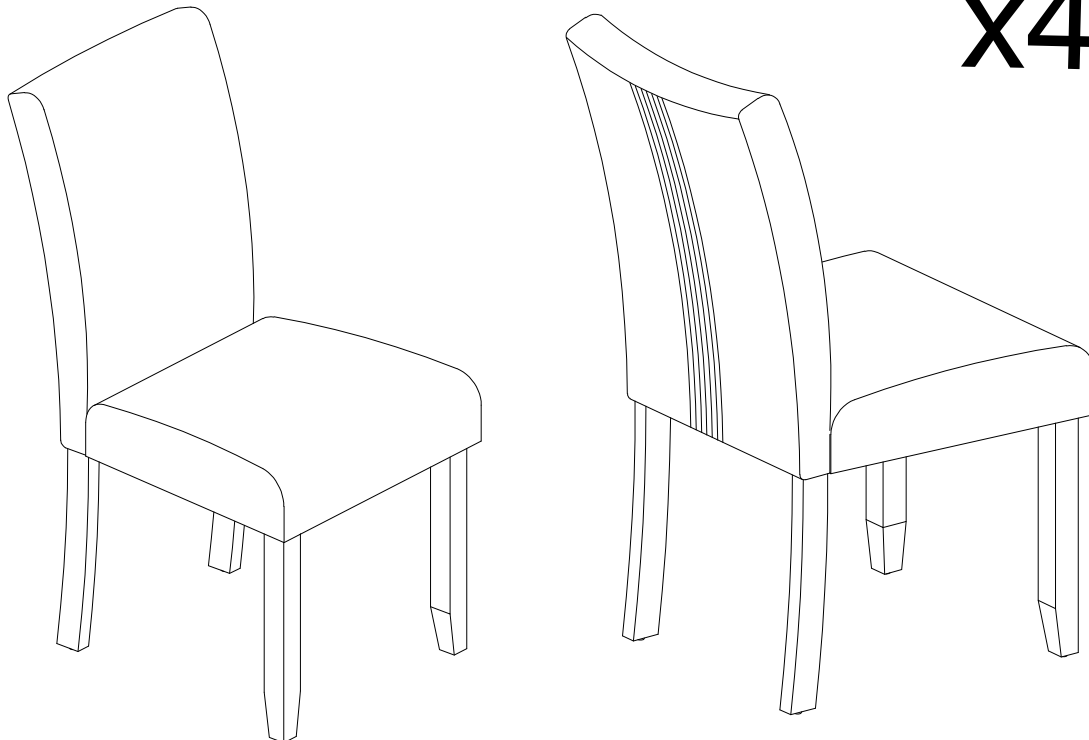
### STEP 3



**x4**

1		Bolt 5/16" x 50mm (Boulon)	4 pcs	4		Flat Washer (Rondelle plate)	4 pcs
3		Spring Washer (Rondelle élastique)	4 pcs	5		Allen Key 5mm (Clé Allen)	1 pc

### STEP 4



**x4**