

# Audo



## BRASILIA LOUNGE CHAIR Designed by *Anderssen & Voll*

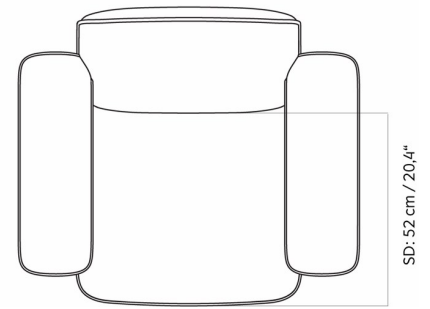
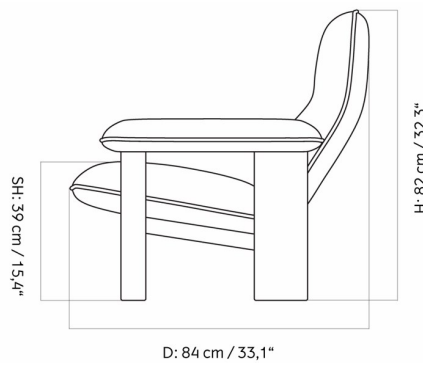
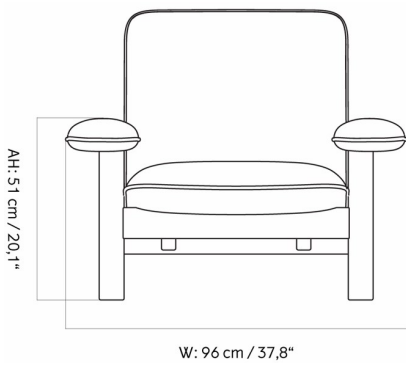
---

**DESCRIPTION** Also available in low back, the Brasilia Lounge Chair comes in a range of textile and sheepskin upholstery as well as leather, paired with legs in natural oak, walnut, or dark stained oak.

---

<b>SKU</b>	71020-005427	<b>COUNTRY OF ORIGIN</b>	Mexico
<b>EAN</b>	5709262083886	<b>MATERIALS</b>	Steel, Plywood, Upholstery, Solid Oak, Cold Cured Foam
<b>BASE MATERIAL</b>	Oak, Solid, Natural	<b>TESTS &amp; CERTIFICATIONS</b>	EN16139:2013, L2
<b>BASE TYPE</b>	4-Legs Base	<b>CO2e</b>	For any inquiries, please contact your local Sales representative
<b>EDITION</b>	High Back	<b>WARRANTY</b>	5 years ( <a href="#">Download</a> )
<b>FOAM TYPE</b>	Global / US - CAL117	<b>CARE INSTRUCTIONS</b>	<a href="#">Base Material</a> <a href="#">Upholstery</a>
<b>PRICE CATEGORY</b>	PC2L		
<b>UPHOLSTERY</b>	DUNES		
<b>UPHOLSTERY COLOUR</b>	21004		
<b>UPHOLSTERY TYPE</b>	Fully Upholstered		
<b>DESIGNER</b>	Anderssen & Voll		
<b>PRODUCT TYPE</b>	Lounge Chair		
<b>ENVIRONMENT</b>	Indoor		
<b>TEXTILE LEATHER CONSUMPTION</b>	Textile Consumption: 2.679 yds Leather Consumption: 74.2710 ft <sup>2</sup>		

# Audo



## BRASILIA LOUNGE CHAIR Designed by *Anderssen & Voll*

### TECHNICAL SPECIFICATIONS

#### DIMENSIONS

Arm Height: 20.08 "  
Seat Height: 15.35 "  
Seat Depth: 20.47 "  
Product Height: 32.28 "  
Product Width: 37.80 "  
Product Depth: 33.07 "

#### NET WEIGHT

55.116 Lb

#### GROSS WEIGHT

67.902 Lb

#### PACKAGING TYPE

Brown Box

#### PACKAGING MEASUREMENTS

H x W x D  
34.25 " x 35.43 " x 40.94 "

#### PRODUCTION PROCESS

The base is constructed of shaped and joined wood parts. The seat and back is made by moulded foam around a steel frame. The final process is to upholster according to a chosen material.