

8 Drawer Dresser

Assembly Instructions



Please read this manual carefully before any operation and keep it properly for future use.

General Guidelines

1. Please read the following instruction carefully and use the product accordingly.
2. Please keep this manual and hand it over when you transfer the product.
3. This summary may not include every detail of all variations and considered steps. Please contact us when further information and help are needed.

Notes

1. This item is only intended to be used indoors. Personal injury and/or damage to product may occur if products are used outside of their intended purposes and/or if products have been changed/modified from their original design. The product must be assembled and used in accordance with the provisions of the manual. The seller does not assume any responsibility or liability with respect to any damage caused by incorrect assembly or improper use.
2. It is recommended that assembly is undertaken by at least 2 adults. Please read assembly instructions before assembly and strictly adhere to each step outlined.
3. If there is/are defective and/or missing part/s after unpacking, please cease assembly immediately and get in contact with us.
4. Please assemble the item in a spacious room and do not place the unwrapped product directly on the ground to avoid damage. It is recommended to wear gloves during the assembly to avoid scratches from any sharp edges.
5. Please do not stand, sit or place heavy items on the wooden boards or other parts before assembly to avoid cracks or distortion of the wooden boards. Cracks or distortion will affect the assembly and normal use.
6. Please match the corresponding board and fitting based on the part number in the manual. If the board does not match with the fitting, please check the pieces as specified in this manual.

7. Please refer to the diagram during assembly. Align all screws with the related pre-drilled holes first and later tighten the screws one by one only after putting all the parts in their correct places.
8. Please note that each type of screw has a spare screw.
9. Periodically inspect screw tightness while the product is in use. If necessary, retighten to ensure structural integrity.
10. Do not expose product to direct sunlight or rain; and do not put it in a humid place. Failure to do so may accelerate the distortion, discoloration or cause fissures. Never touch with sharp objects or corrosive chemicals, which may damage the surface of the item.
11. For daily care, please clean with a damp cloth, then immediately wipe dry.

Warnings

1. It is strictly prohibited to sit or stand on the product.
2. Please put this item on a flat ground.
3. Don't use an electric drill to assemble this item.
4. It is not intended for use by children under 3 years of age. Children must be under adult supervision to use the product.
5. It is forbidden children to climb or play on the product to avoid serious body injury caused by the toppling.
6. During the assembly process, keep any small parts out of the reach of children. It may be fatal if swallowed or inhaled.
7. To avoid the potential dangers of suffocation, please keep all parts and packaging (films, plastic bags and foam, etc.) away from babies and children. It is strictly prohibited to sit or stand on the product.

General Guidelines

Thank you for purchasing our product. We promise to repair or replace any component that may have any defects in material or workmanship.

We will provide a one-year warranty.

There are no other warranties except as expressly set forth below, either expressed or implied, including any warranty of merchantability for any particular purpose.

The word defects in this warranty is defined as imperfections that impair the service, function, or effectiveness of the product

INFORMATION ON COLOR VARIATIONS & FINISHES:

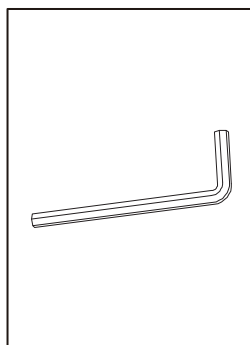
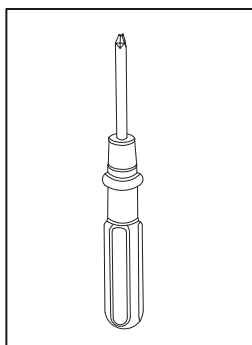
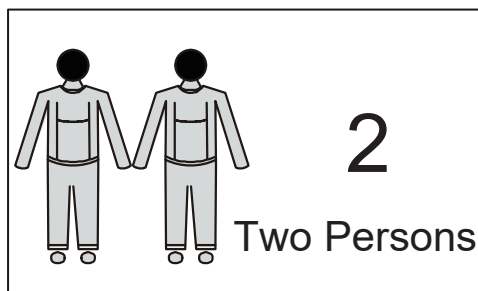
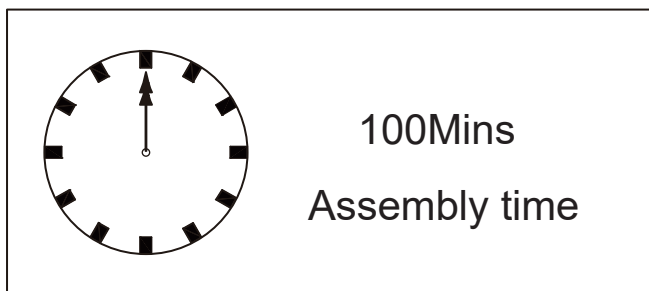
Some natural variations occurring in wood or other natural materials are inherent to their character and thus cannot be avoided. Therefore, they are not considered defects.

We do not warrant the color fastness or matching of colors, grains, textures, or other such materials. Customer's materials selected by and used at the request of a user are therefore not warranted by us.

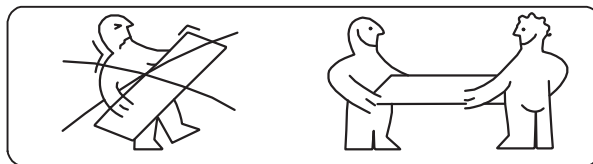
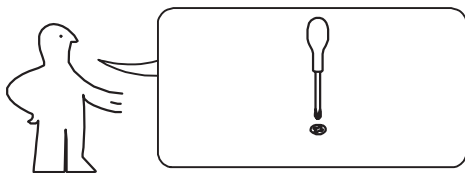
LIMITATIONS INVOLVING MATERIALS & COMPONENTS

The materials and all components listed below are covered. According to the following schedule from the date of sale to the original purchaser.

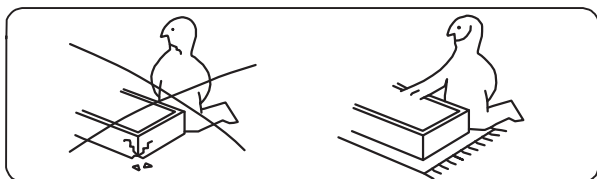
General Guidelines



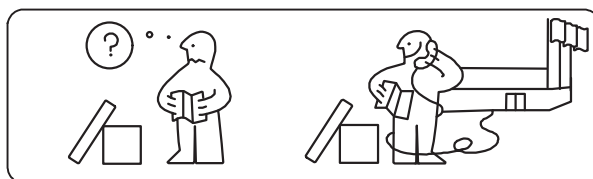
Installation tools included



① Safe carriage, multi-people are needed.



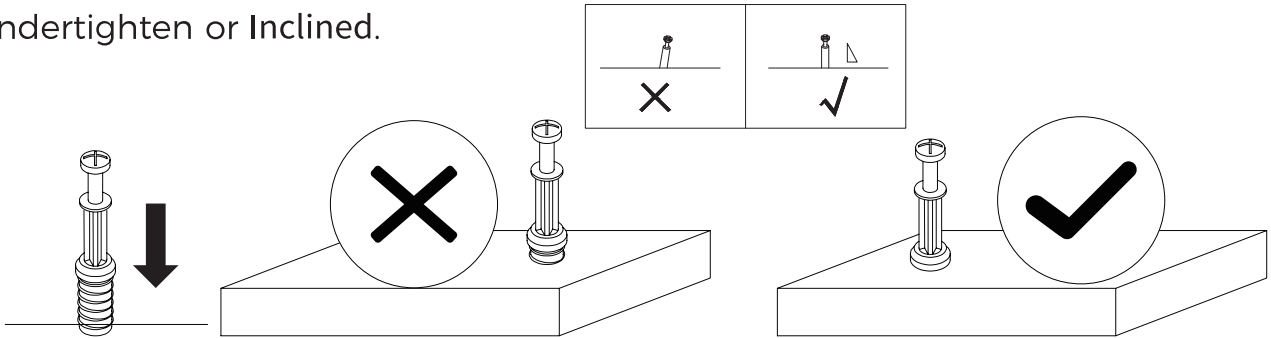
② Handle with care, protective layer is required.



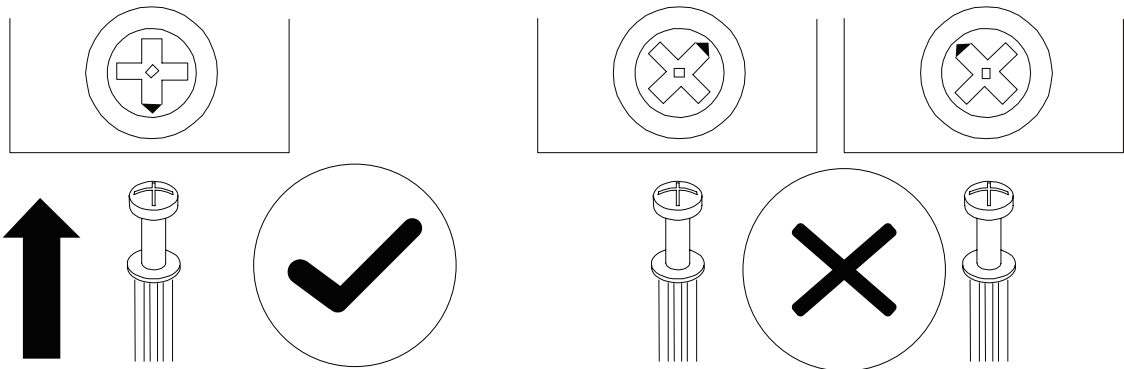
③ In case of any doubts, contact customer service.

USING CAM LOCK AND QUICKFIT

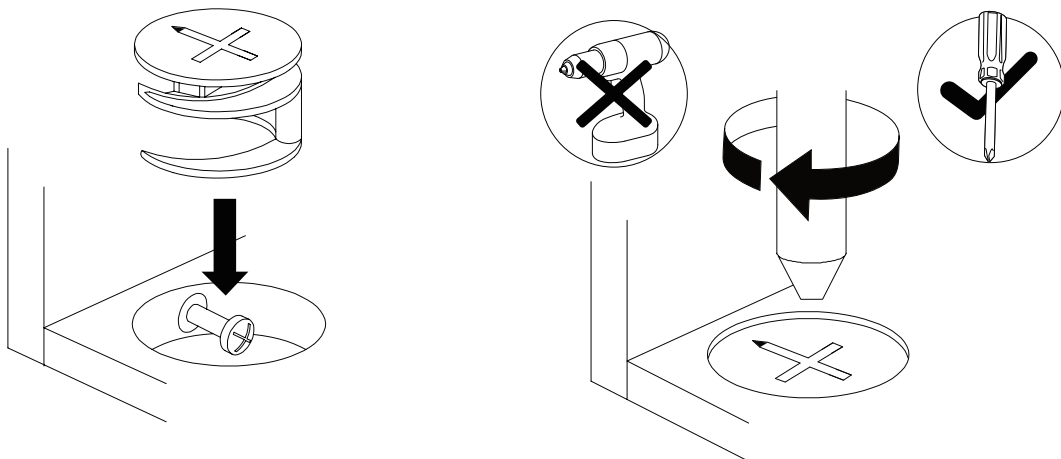
- Tighten quickfit until shoulder is flush with panel. Do not overtighten or undertighten or Inclined.



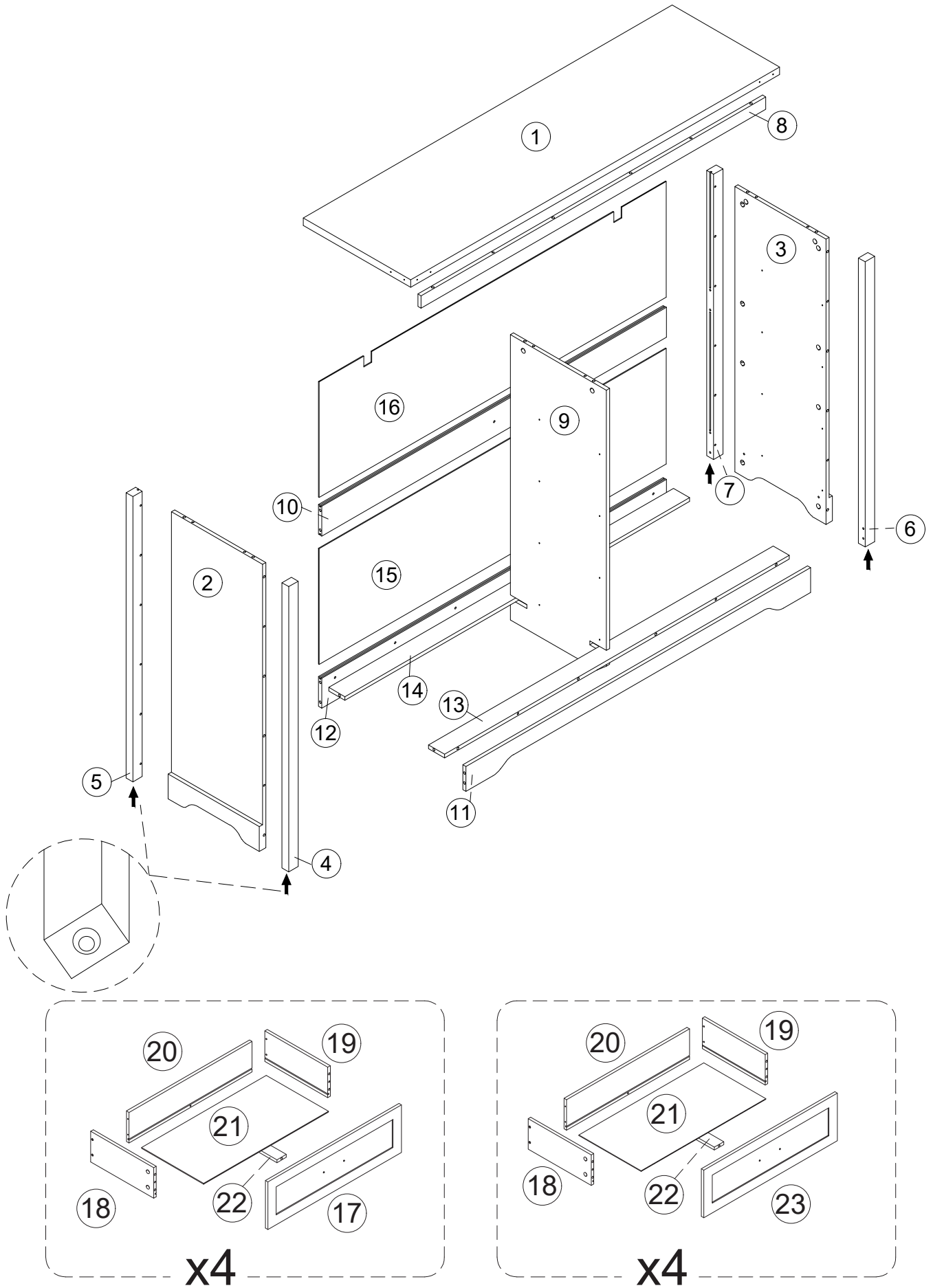
- When fitting cam lock, ensure starting position is correct before you insert connecting quickfit.



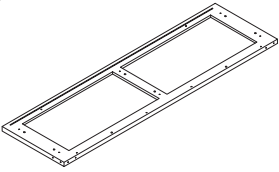

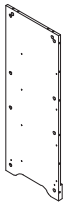




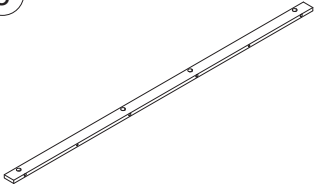
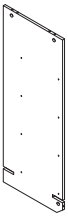
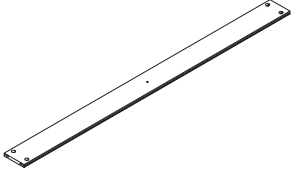
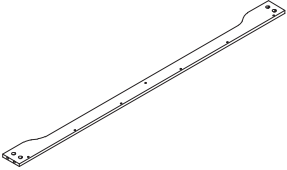
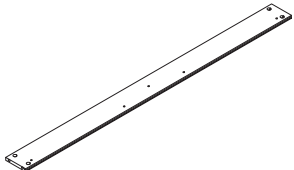
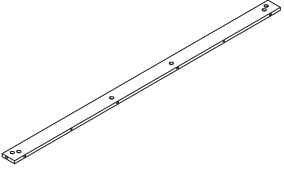
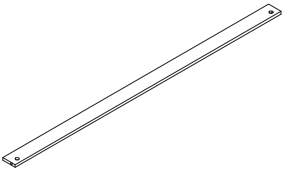
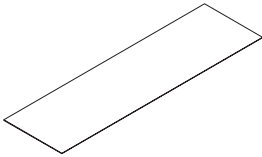
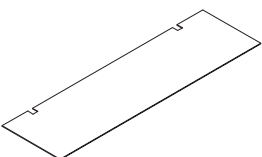
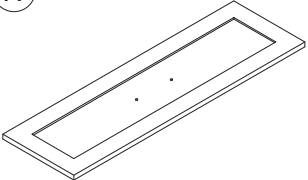
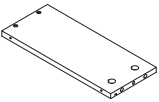
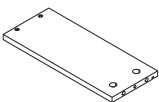
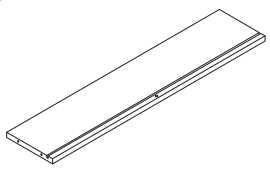
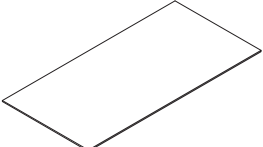
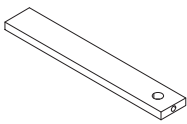
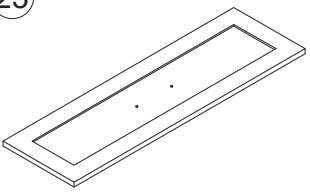
- Quick fit head should be in the centre of the cam lock when the two panels are joined.
- Cam lock should be inserted before quickfit.
- Turn cam lock clockwise to tighten.



Parts List

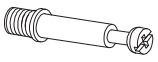


Panels List Number

<p>①</p>  <p>x1</p>	<p>②</p>  <p>x1</p>	<p>③</p>  <p>x1</p>	<p>④</p>  <p>x1</p>
<p>⑤</p>  <p>x1</p>	<p>⑥</p>  <p>x1</p>	<p>⑦</p>  <p>x1</p>	<p>⑧</p>  <p>x1</p>
<p>⑨</p>  <p>x1</p>	<p>⑩</p>  <p>x1</p>	<p>⑪</p>  <p>x1</p>	<p>⑫</p>  <p>x1</p>
<p>⑬</p>  <p>x1</p>	<p>⑭</p>  <p>x1</p>	<p>⑮</p>  <p>x1</p>	<p>⑯</p>  <p>x1</p>
<p>⑰</p>  <p>x4</p>	<p>⑱</p>  <p>x8</p>	<p>⑲</p>  <p>x8</p>	<p>⑳</p>  <p>x8</p>
<p>㉑</p>  <p>x8</p>	<p>㉒</p>  <p>x8</p>	<p>㉓</p>  <p>x4</p>	

Parts List Number

A



Ø6x35mm
87pcs

B



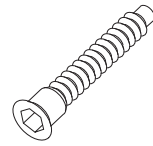
Ø15x10mm
87pcs

C



Ø6x30mm
36pcs

D



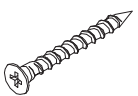
Ø5x38mm
6pcs

E



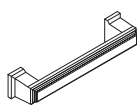
Ø3x12mm
80pcs

F



M4x35mm
40pcs

G



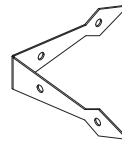
8pcs

H



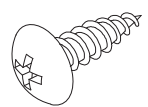
M4x8mm
16pcs

I



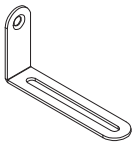
2pcs

J



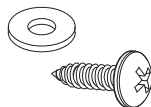
Ø4x12mm
8pcs

K



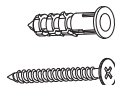
2pcs

L



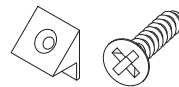
2pcs

M



2pcs

N



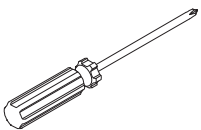
12pcs

O



M3
1pc

P



1pc

Q



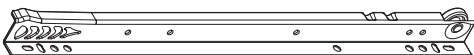
8pcs



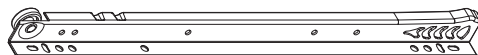
CL
300MM
x 8



CR
300MM
x 8



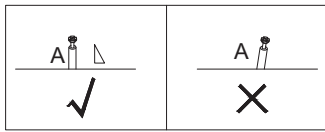
DL
300MM
x 8



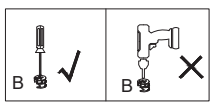
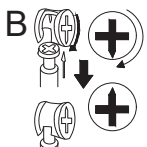
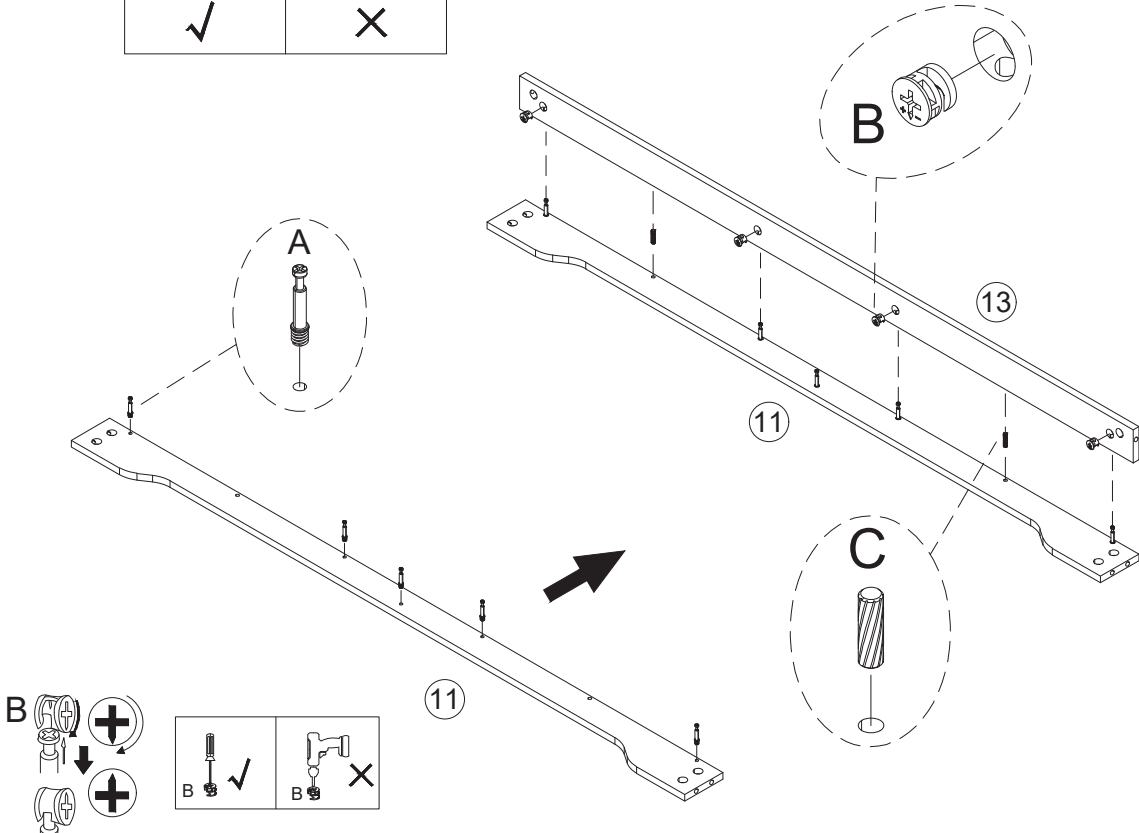
DR
300MM
x 8

Installation Steps

1



	Ax5
	Bx4
	Cx2



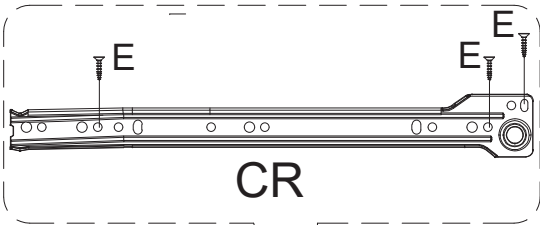
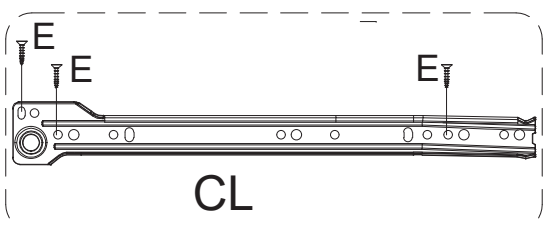
Panel Needed:

⑪	X1PC
⑬	X1PC

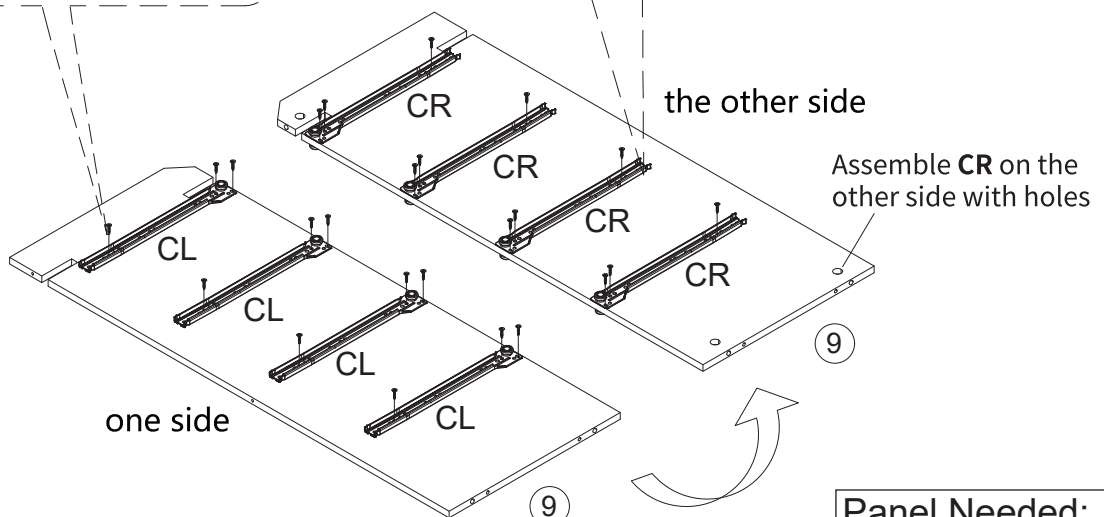
2

x4

	Ex24
	CLx4
	CRx4



x4



Panel Needed:

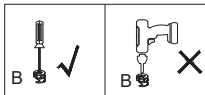
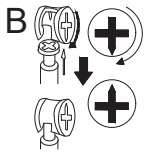
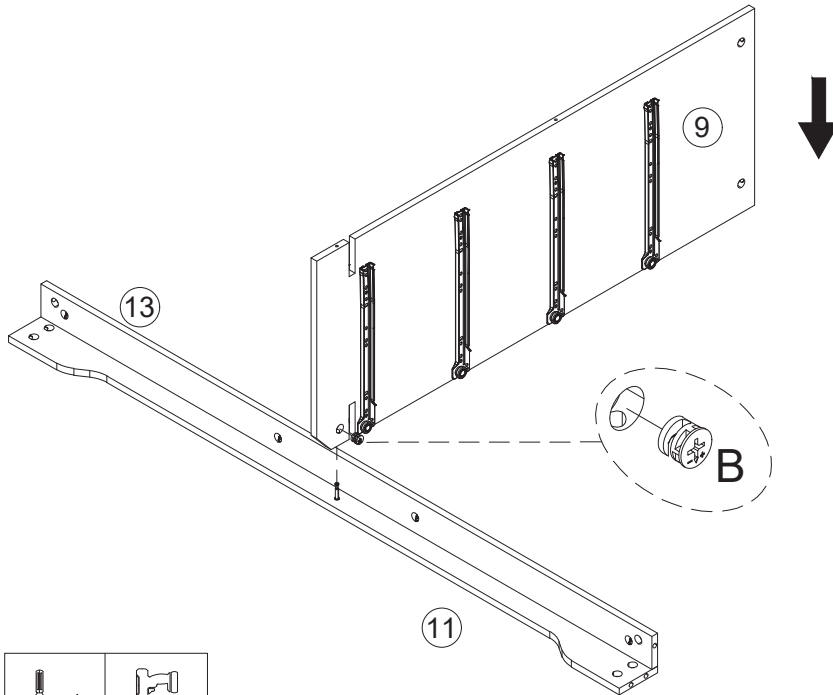
⑨	X1PC
---	------

Installation Steps

3



Bx1



Panel Needed:

⑨ X1PC

⑪ X1PC

⑬ X1PC

4



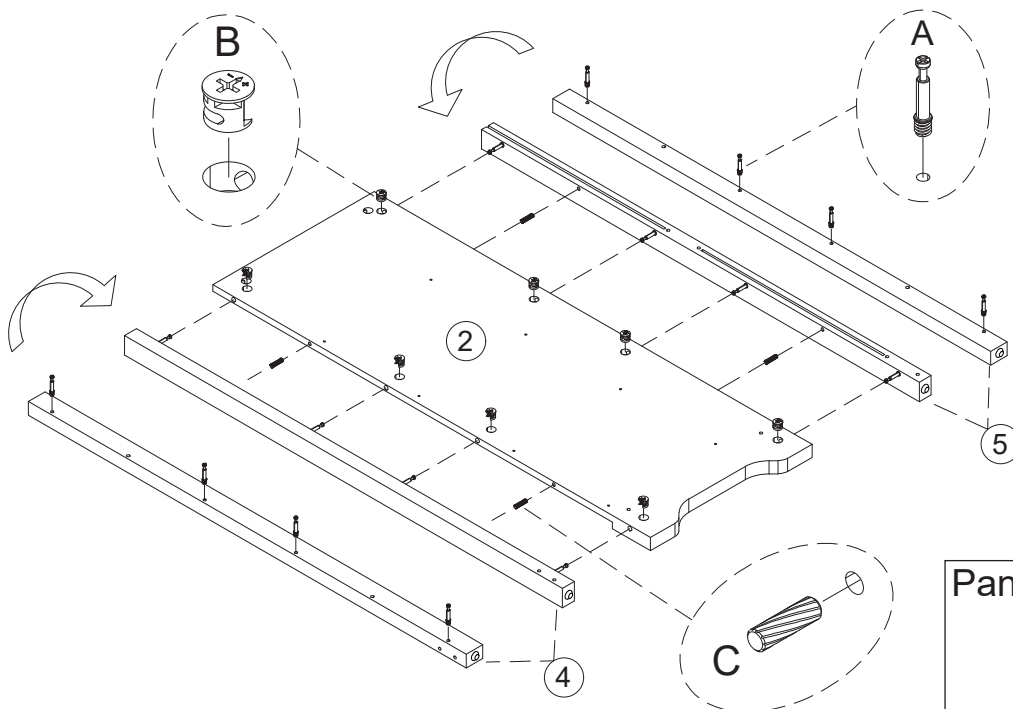
Ax8



Bx8



Cx4



Panel Needed:

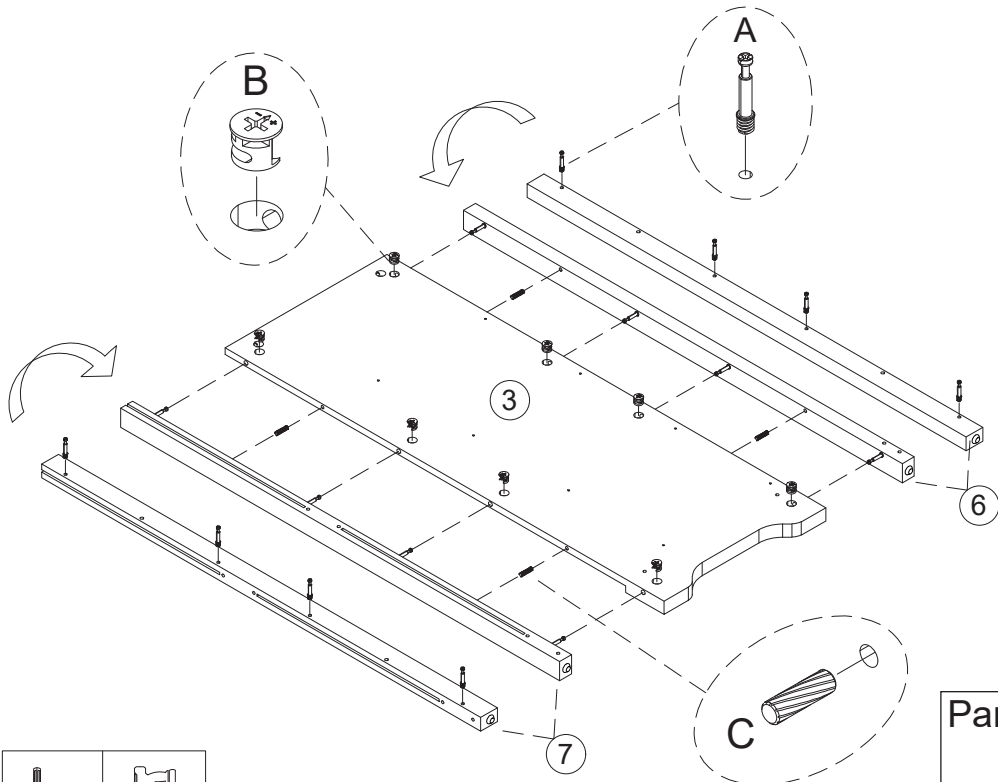
② X1PC

④ X1PC

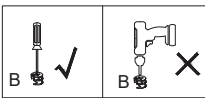
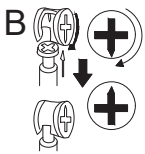
⑤ X1PC

Installation Steps

5



	Ax8
	Bx8
	Cx4

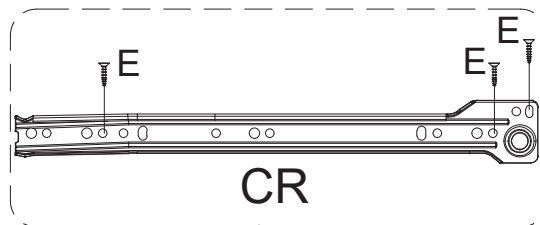
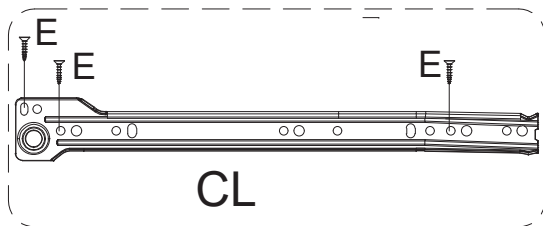


Panel Needed:

- ③ X1PC
- ⑥ X1PC
- ⑦ X1PC

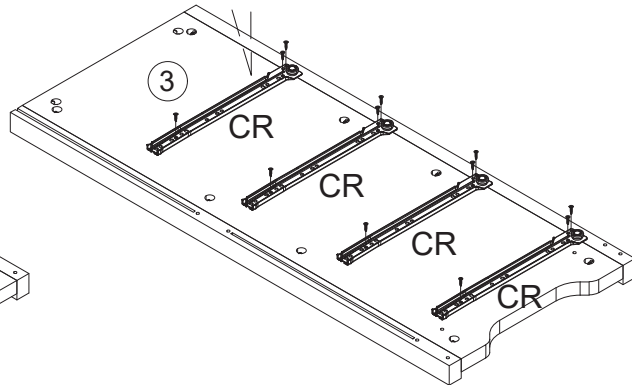
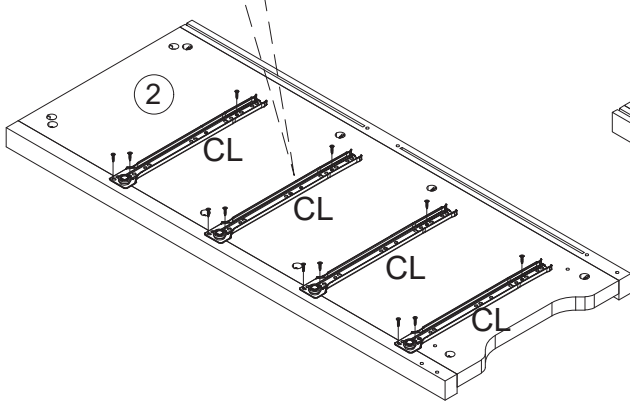
6

x4



	Ex24
	CLx4
	CRx4

x4



Panel Needed:

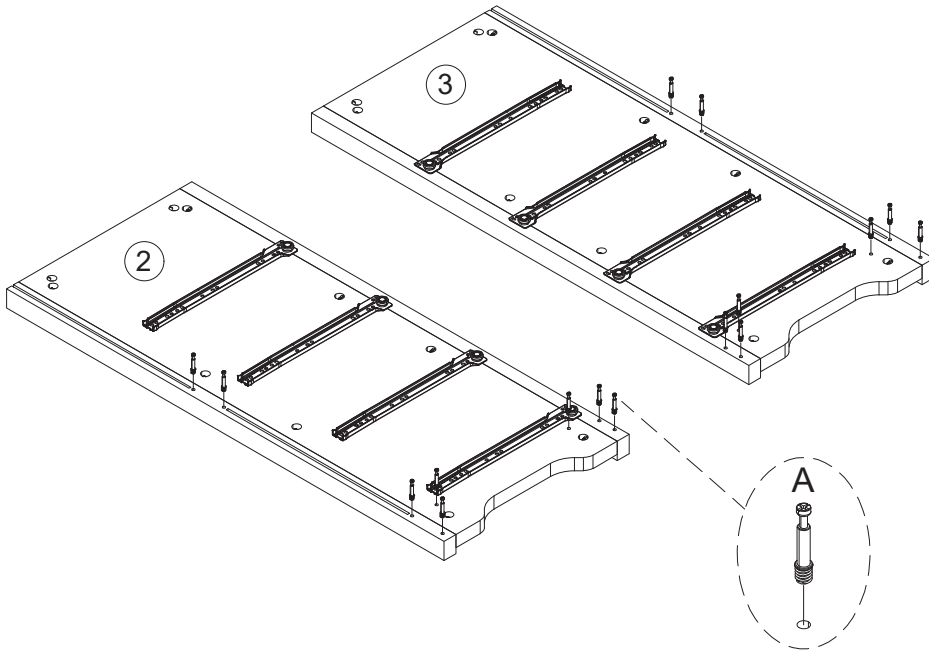
- ② X1PC
- ③ X1PC

Installation Steps

7



Ax16



Panel Needed:

② X1PC

③ X1PC

8



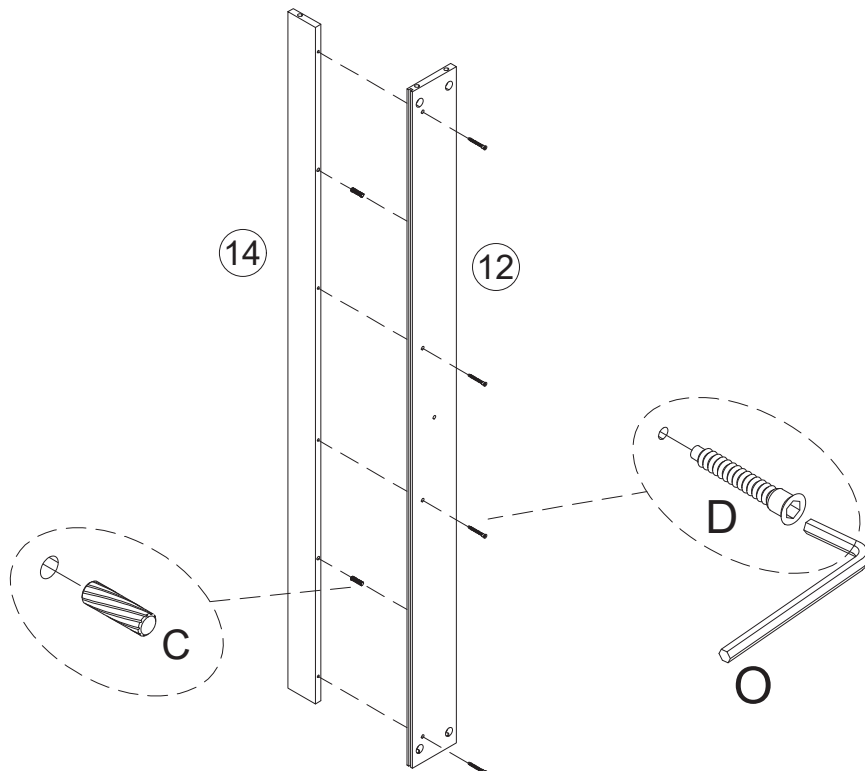
Cx2



Dx4



O



Panel Needed:

⑫ X1PC

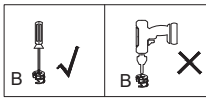
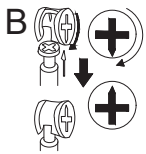
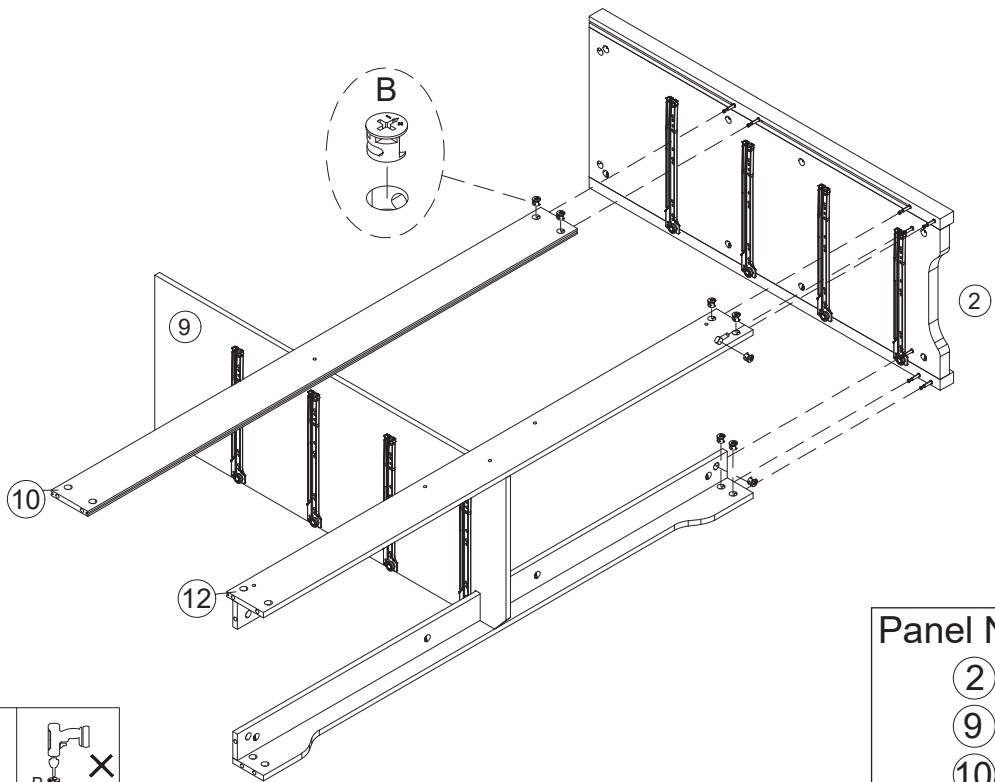
⑭ X1PC

Installation Steps

9



Bx8



Panel Needed:

② X1PC

⑨ X1PC

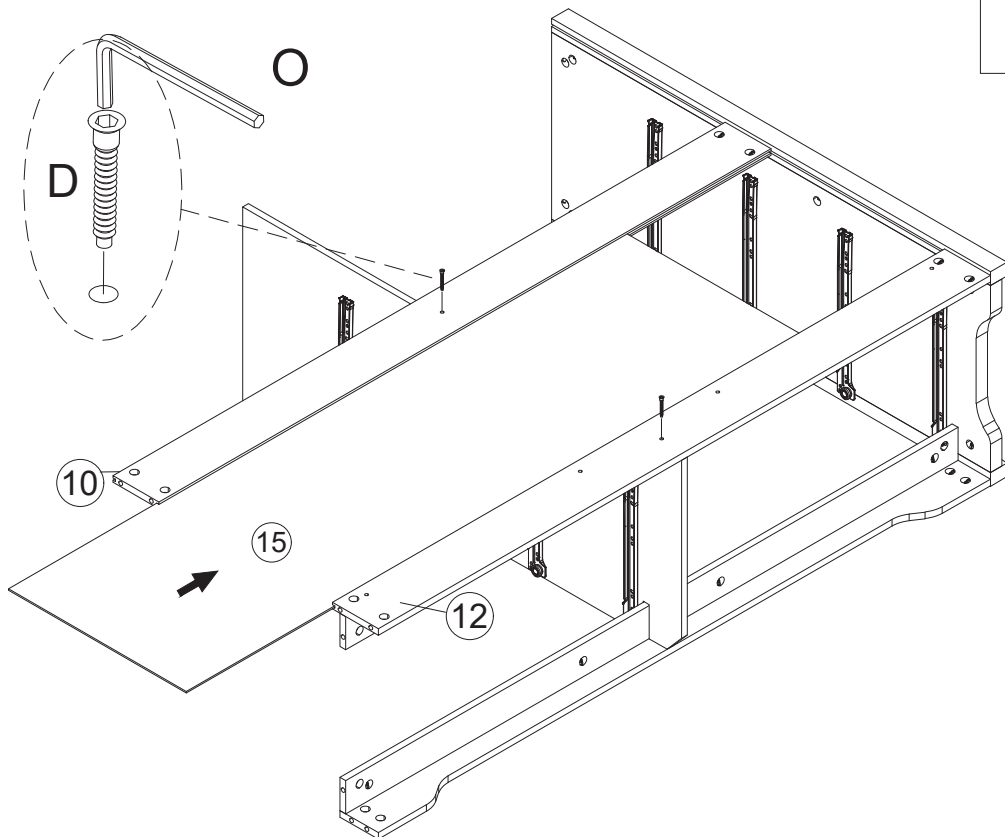
⑩ X1PC

⑫ X1PC

10



Dx2

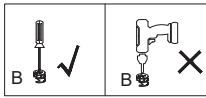
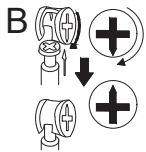
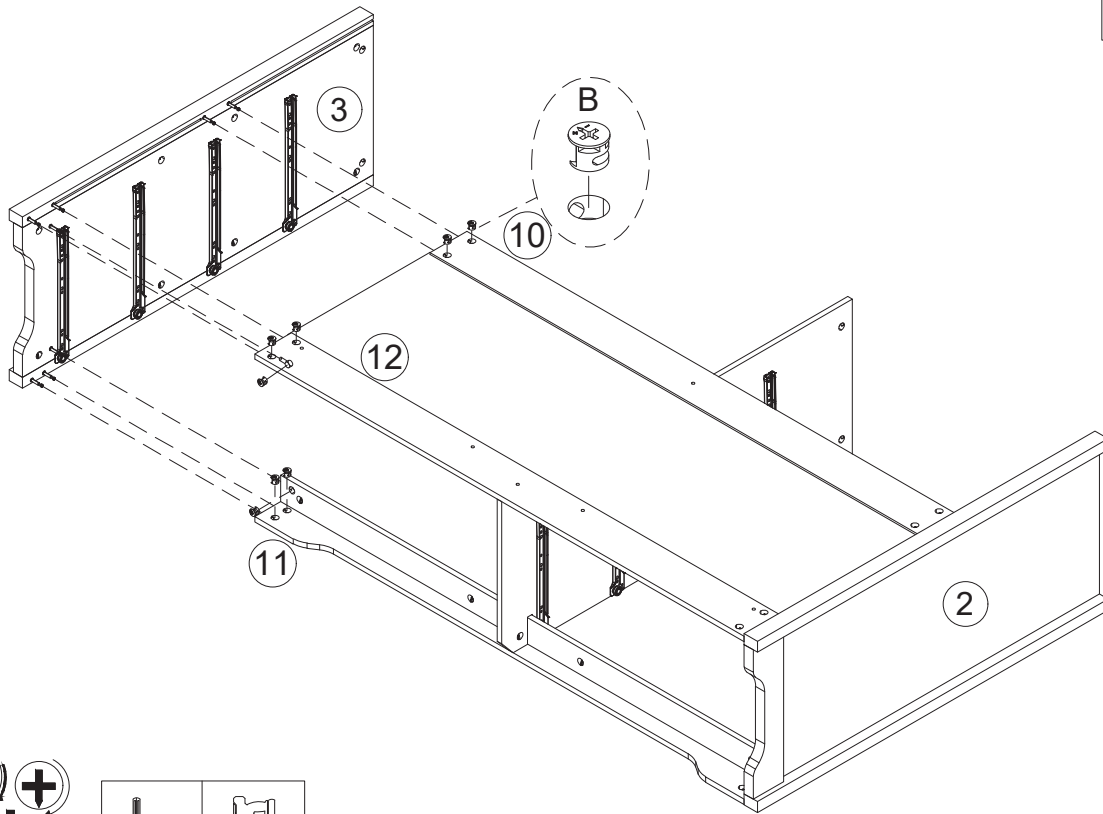


Installation Steps

11

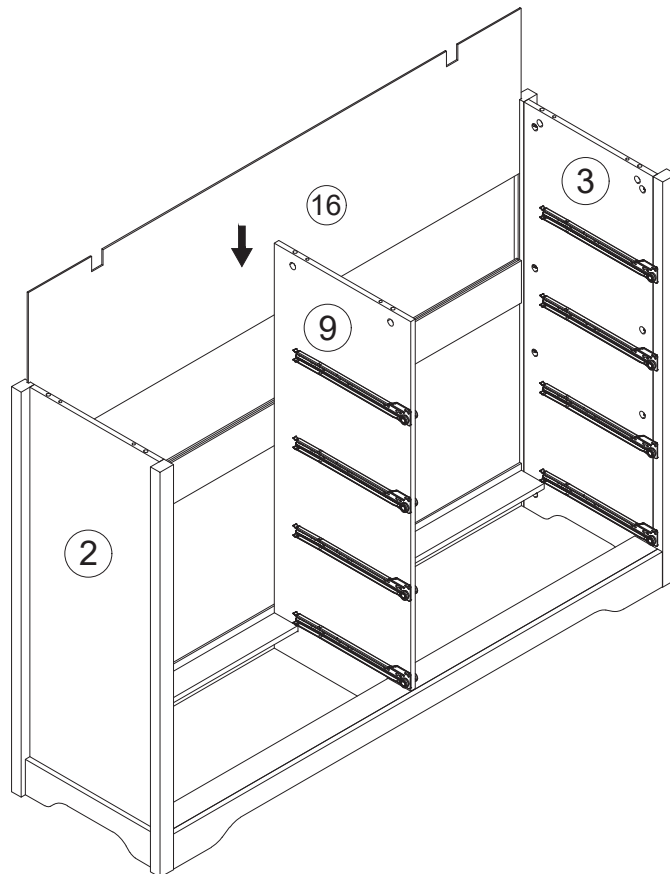


Bx8



Panel Needed:
③ X1PC

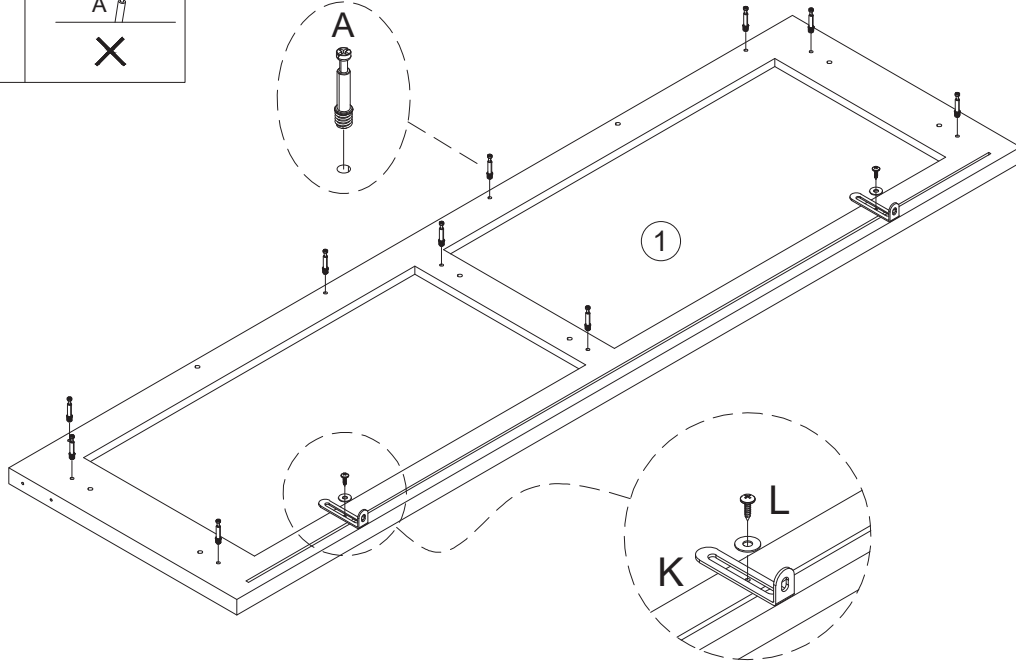
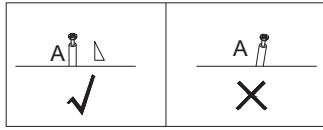
12



Panel Needed:
①⑥ X1PC

Installation Steps

13

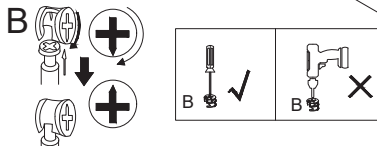
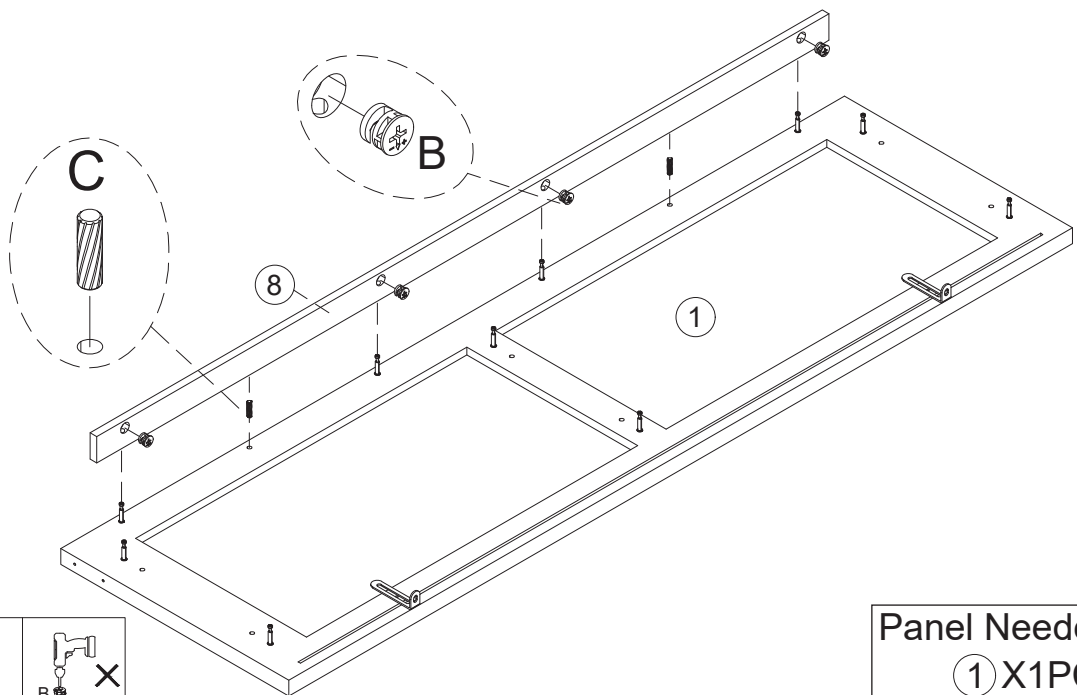


	Ax10
	Kx2
	Lx2

Panel Needed:
① X1PC

14



	Bx4
	Cx2

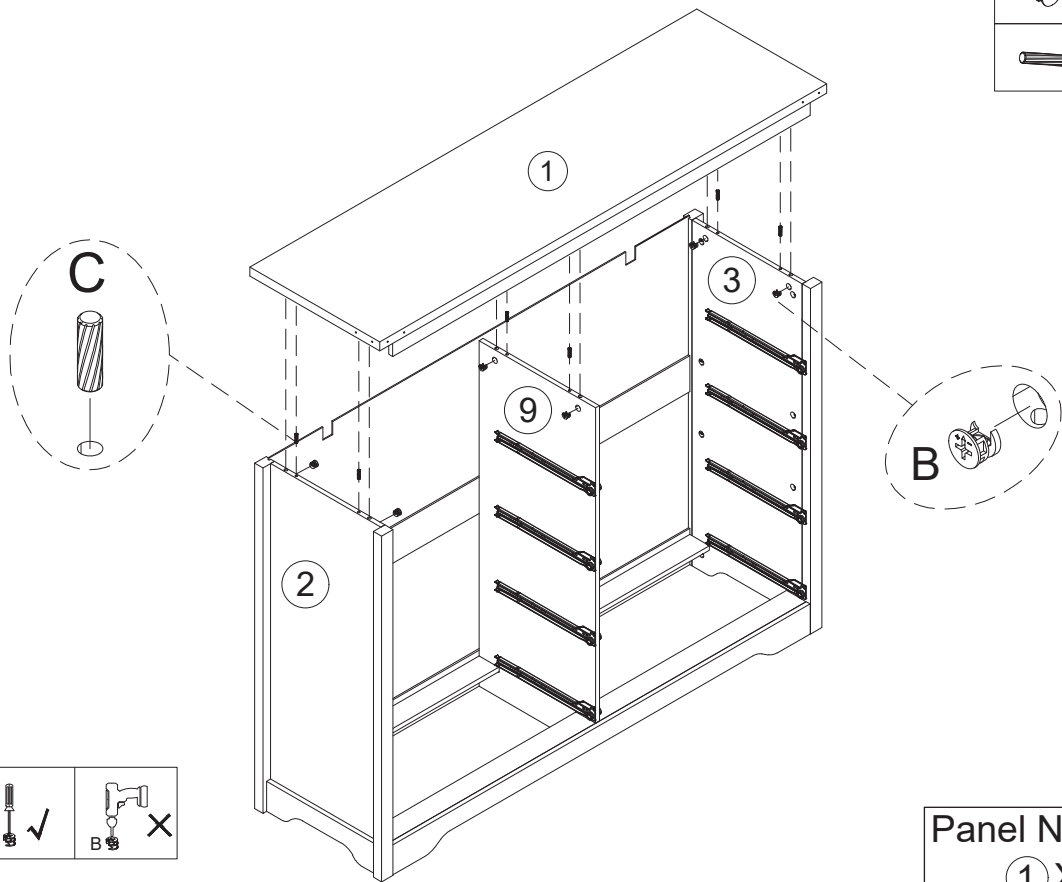


Panel Needed:
① X1PC
⑧ X1PC

Installation Steps



15

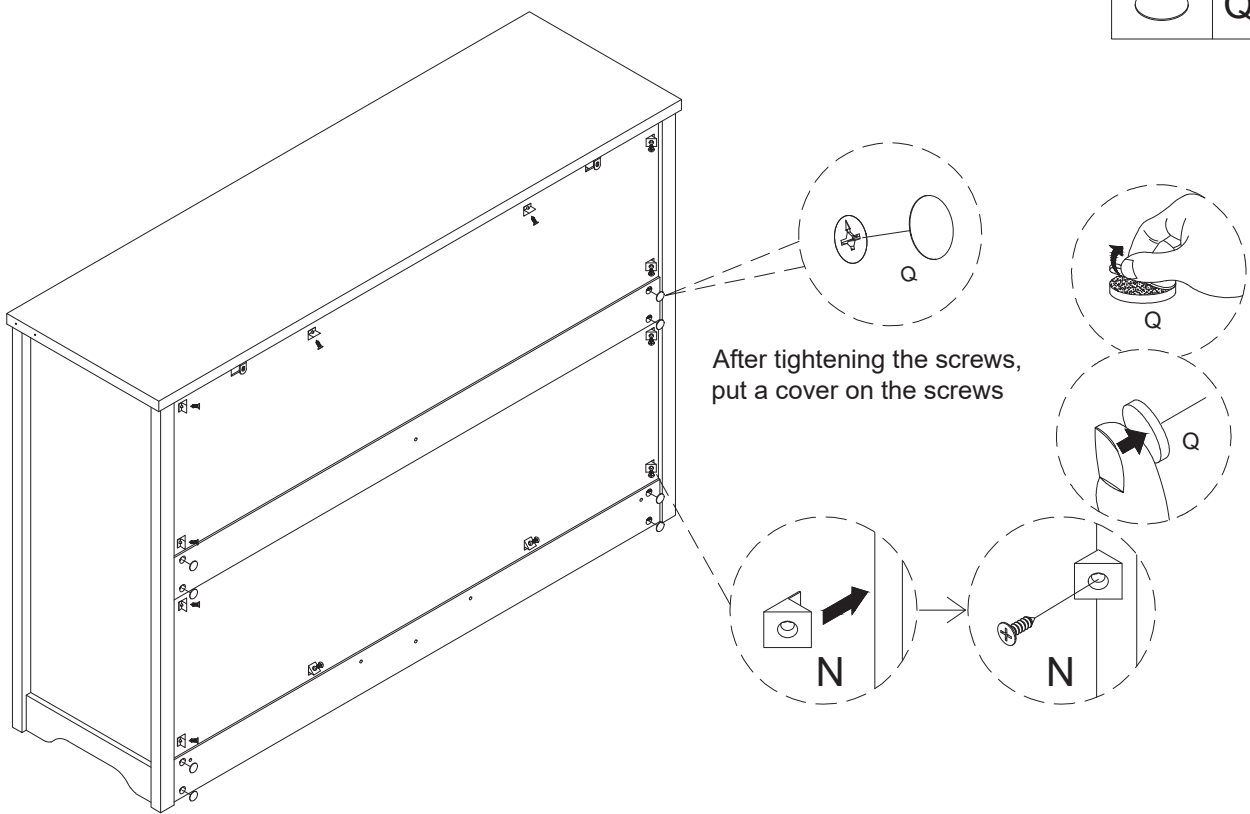
	Bx6
	Cx6



Panel Needed:
① X1PC


16

	Nx12
	Qx8



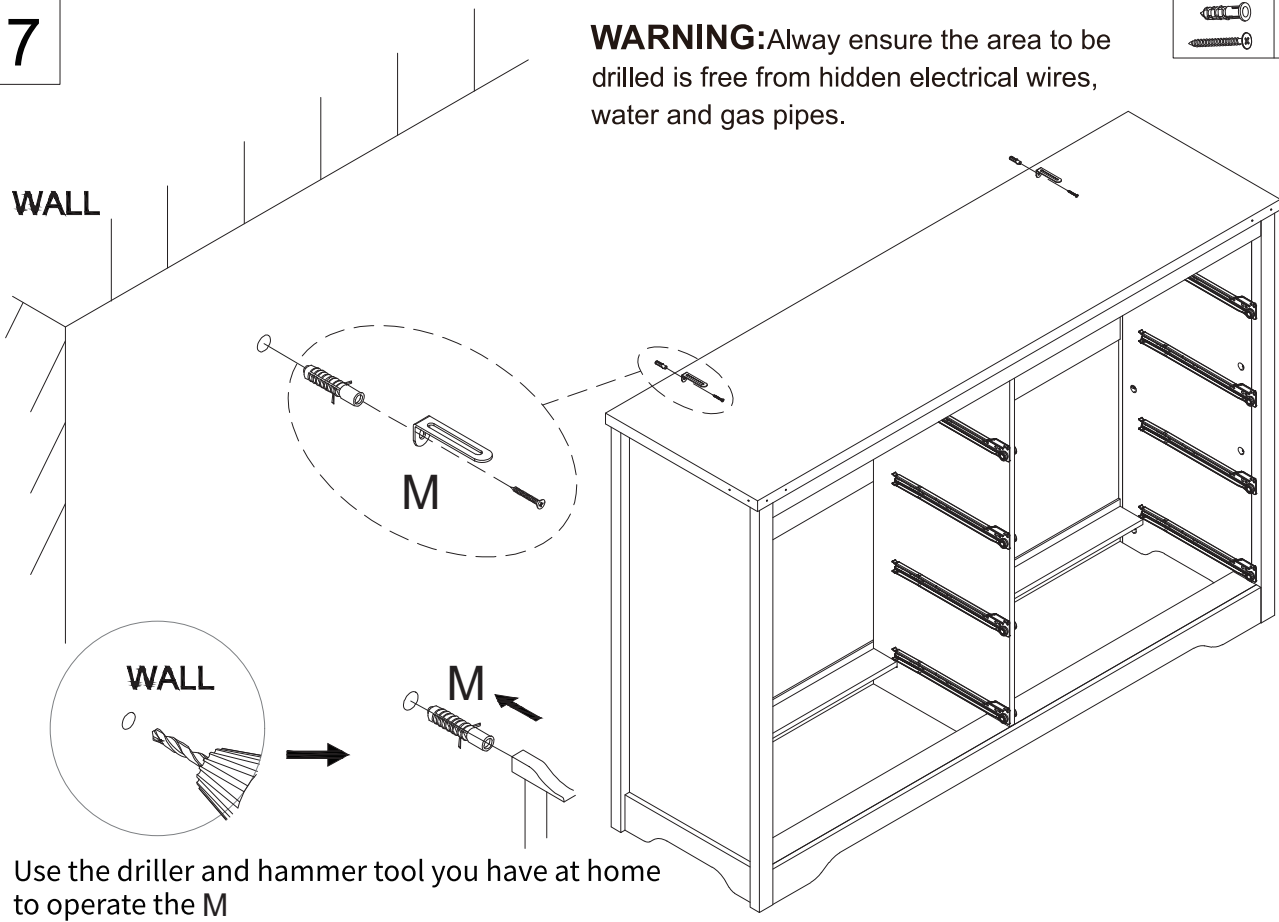
Installation Steps

17

 Mx2

WARNING: Always ensure the area to be drilled is free from hidden electrical wires, water and gas pipes.

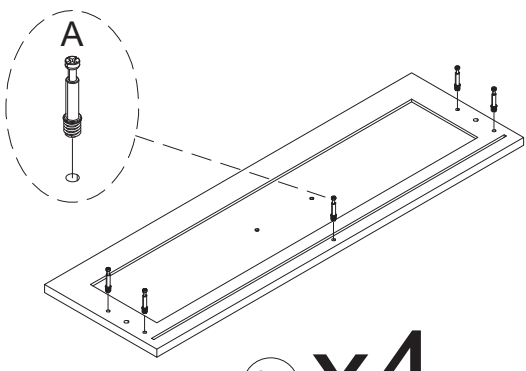
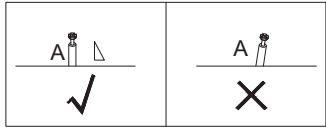
WALL



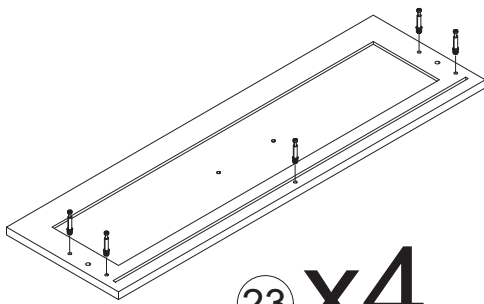
Use the driller and hammer tool you have at home to operate the M

18

 Ax40



①7 x4



②3 x4

Panel Needed:
 ①7 X4PCS
 ②3 X4PCS

Installation Steps

19

Diagram illustrating the assembly of panels 17, 18, 19, 22, and 23. The diagram shows two views of the assembly process. The left view shows panels 17 and 19 being joined with screws B. The right view shows panels 17, 19, 22, and 23 being joined with screws C. A list of required panels is provided:

Panel Needed:	
17	X4PCS
18	X8PCS
19	X8PCS
22	X8PCS
23	X4PCS

	Bx40
	Cx16

20

Diagram illustrating the assembly of panels 17, 20, and 21. The diagram shows two views of the assembly process. The left view shows panels 17 and 21 being joined. The right view shows panels 17, 20, and 21 being joined with screws F. A list of required panels is provided:

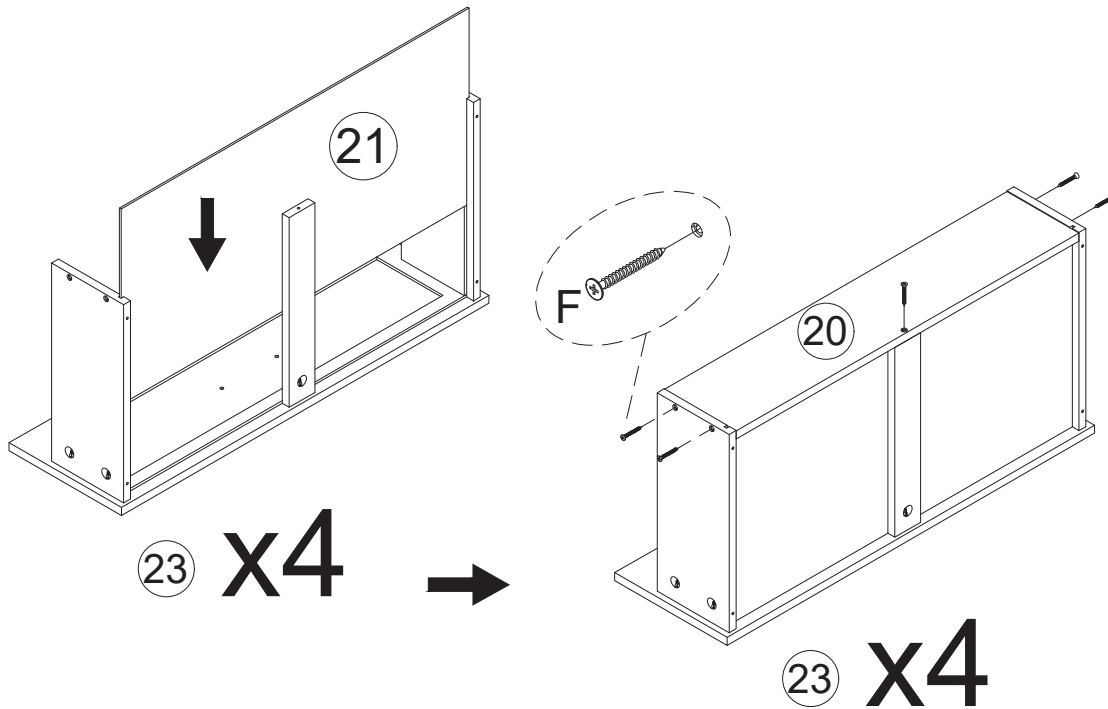
Panel Needed:	
20	X4PCS
21	X4PCS

	Fx20
--	------

Installation Steps

21

 Fx20



Panel Needed:

②① X4PCS

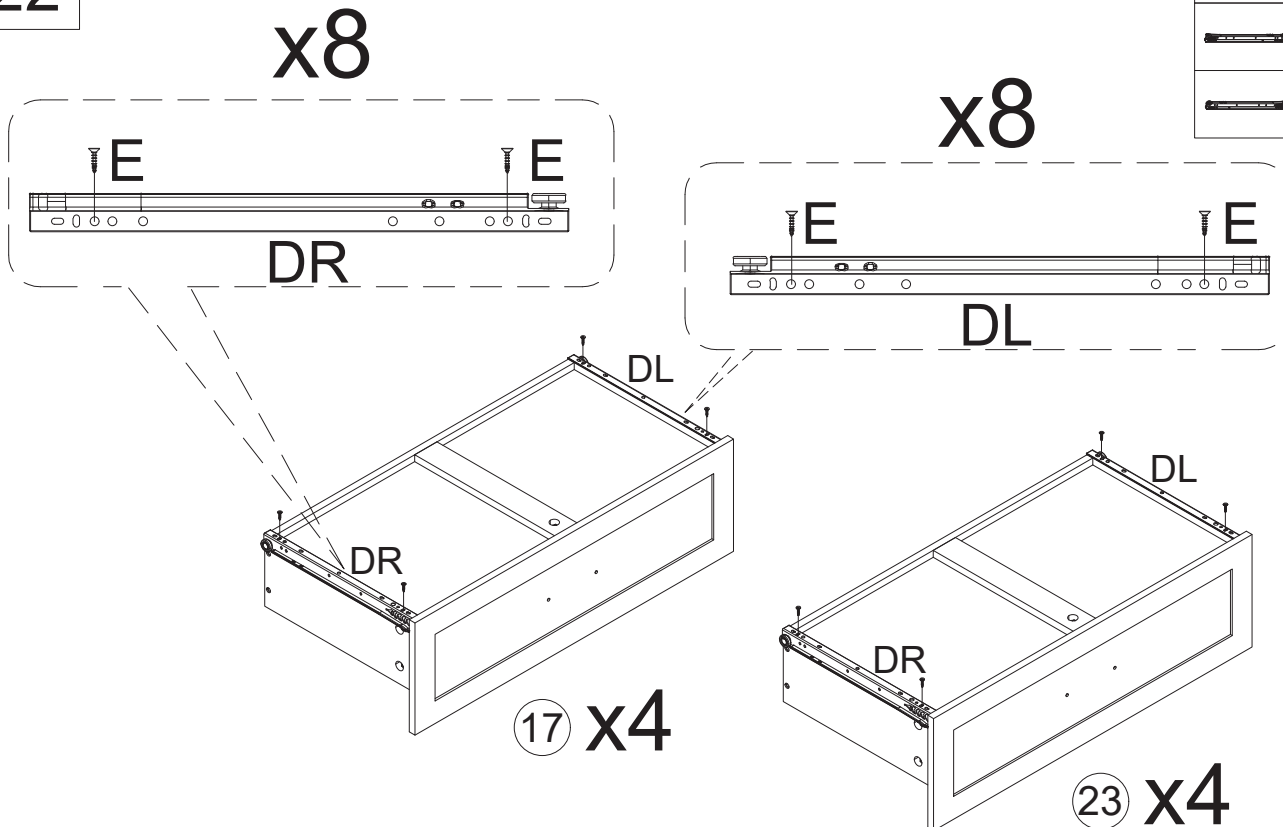
②② X4PCS

22

 Ex32

 DLx8

 DRx8



Installation Steps

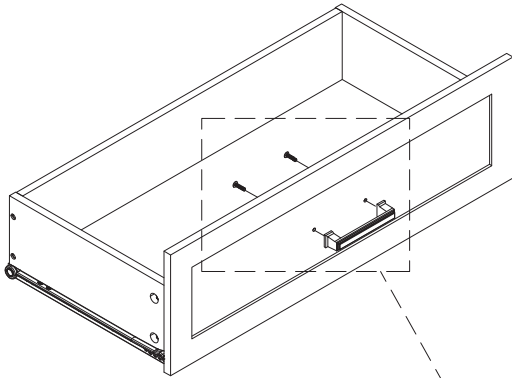
23



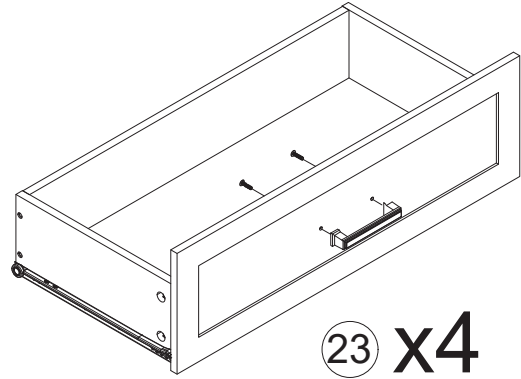
Gx8



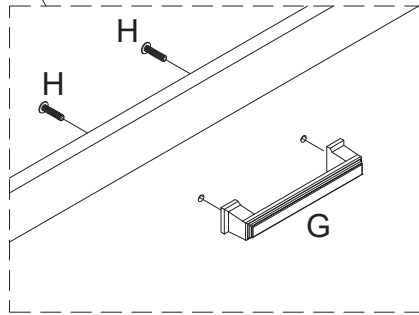
Hx16



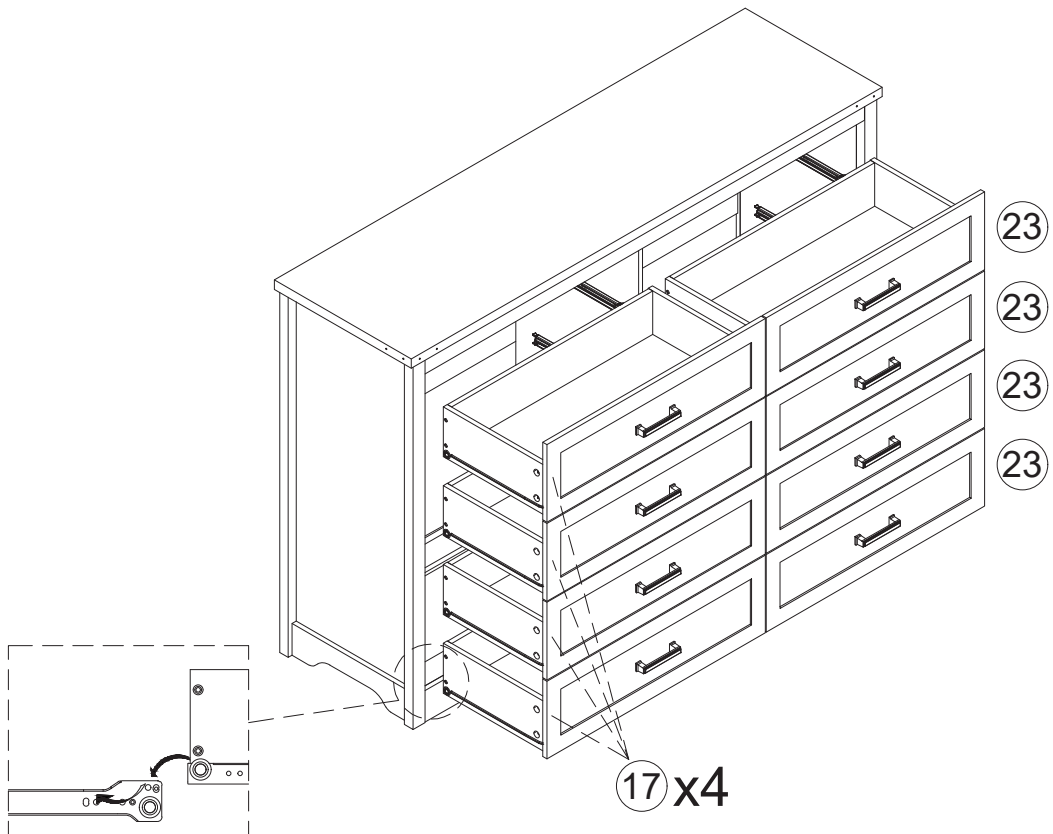
(17) x4



(23) x4



24



(23)

(23)

(23)

(23)

(17) x4

Installation Steps

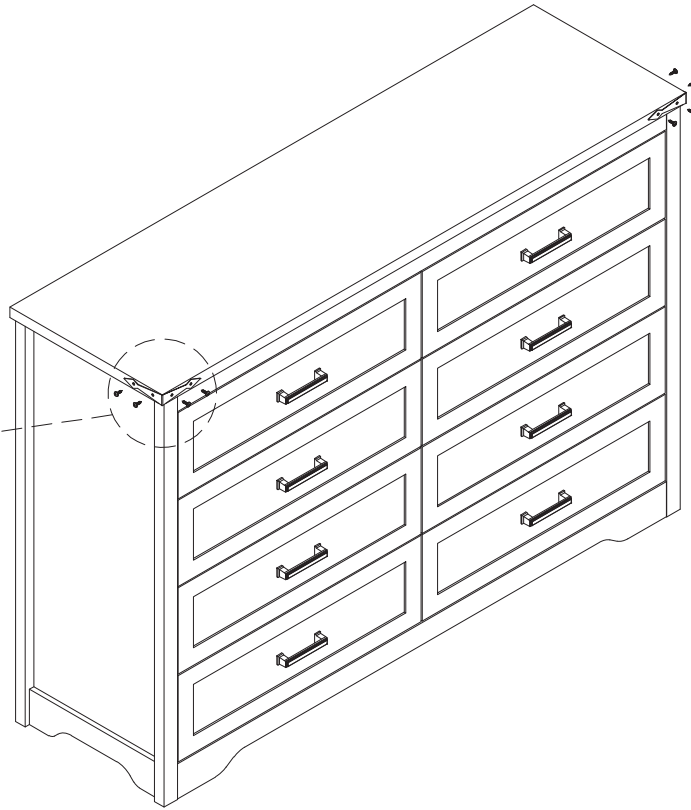
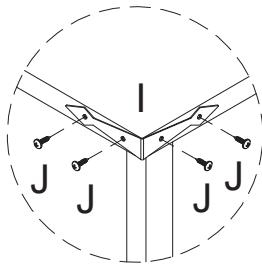
25



1x2



Jx8



26

