

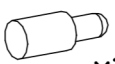
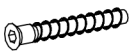
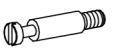

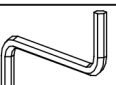

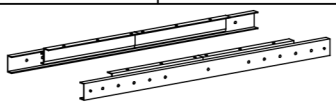





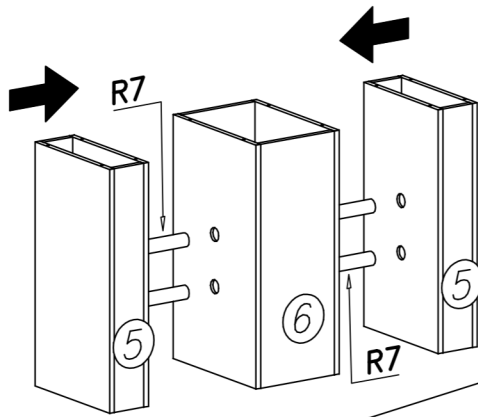
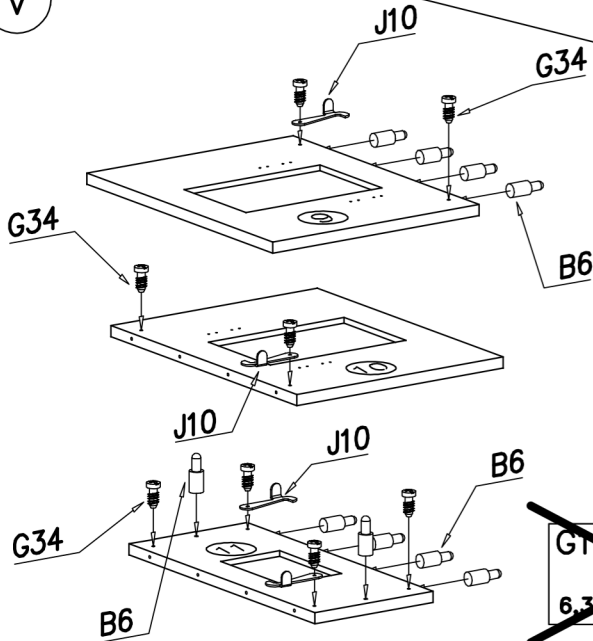


I10  x6	I11  x12	B6  x10
A4  6,3 x 50 x24	K5  x30	K1  x30
W2  x1	P4  x6	H13  x1
R7  x4	B7  8 x 30 x56	J10  x4
G34  4 x 15 x8	G10  6,3 x 13 x30	

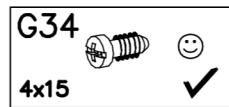
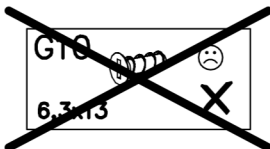
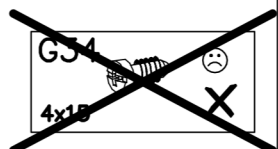
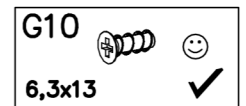
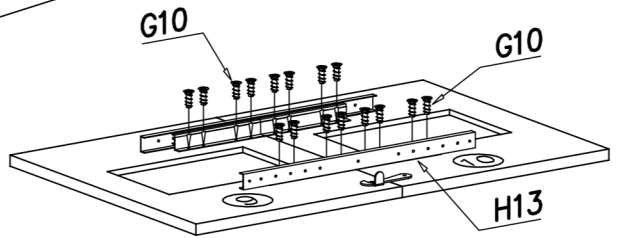
IV



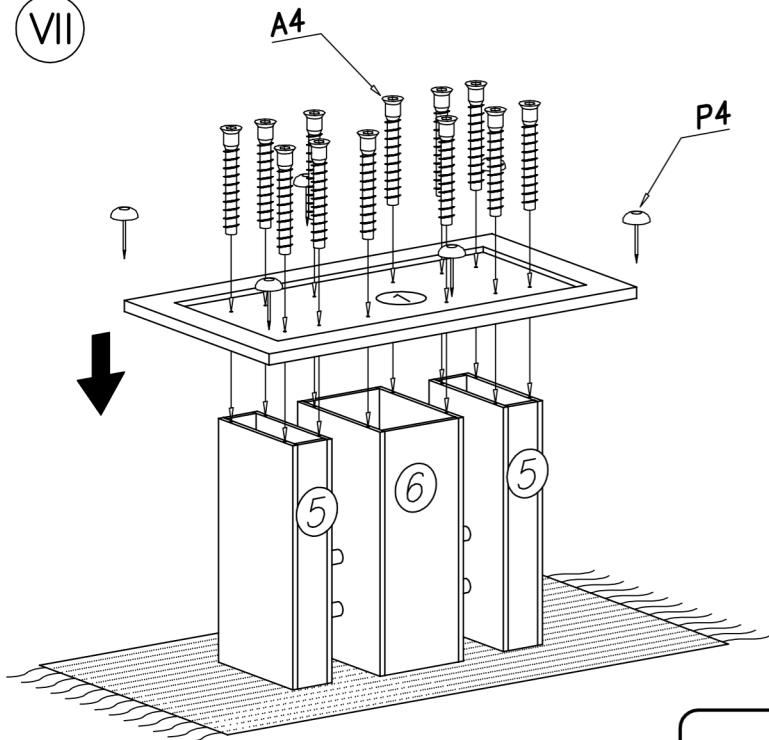
V



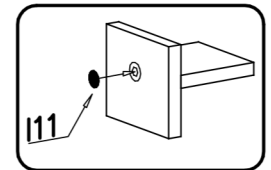
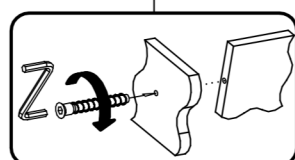
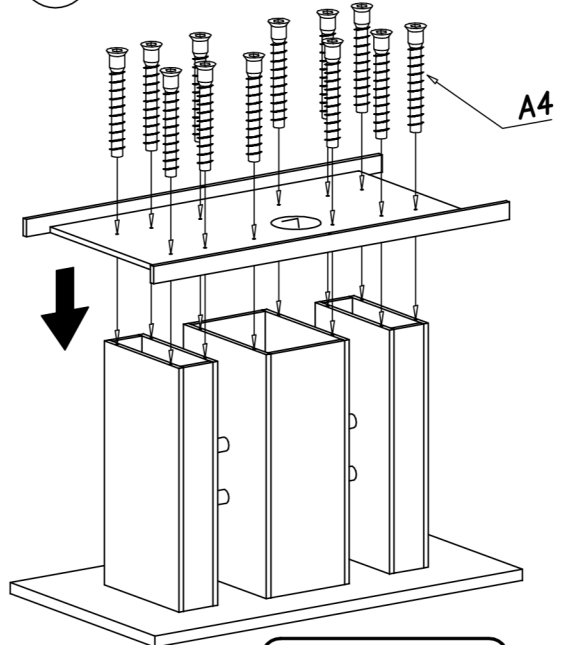
VI



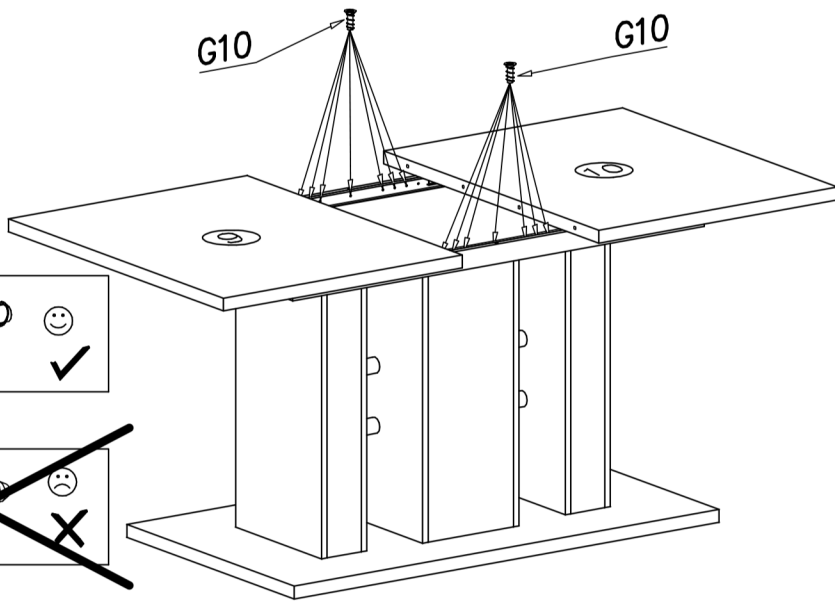
VII



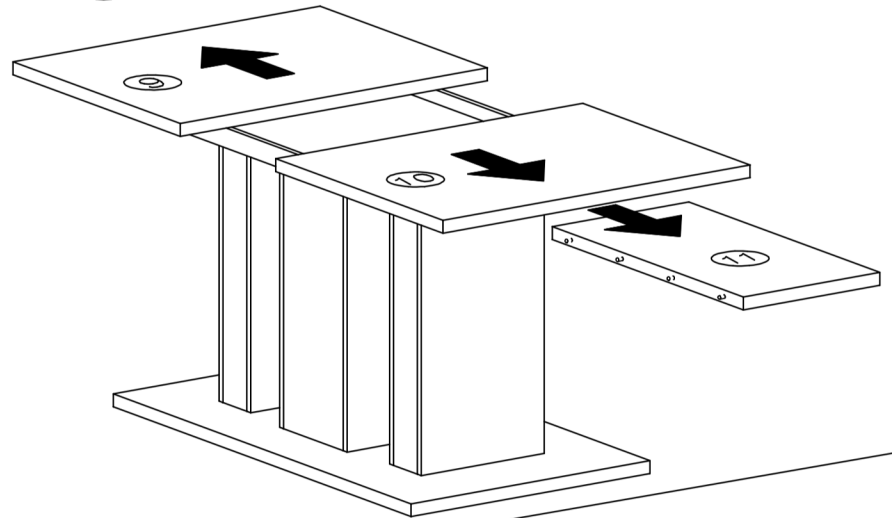
VIII



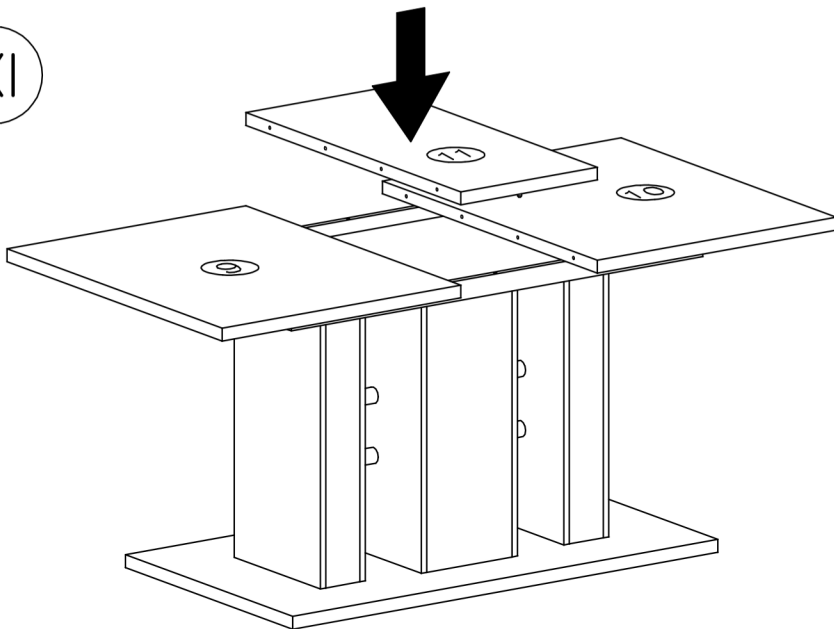
IX



X



XI



XII

