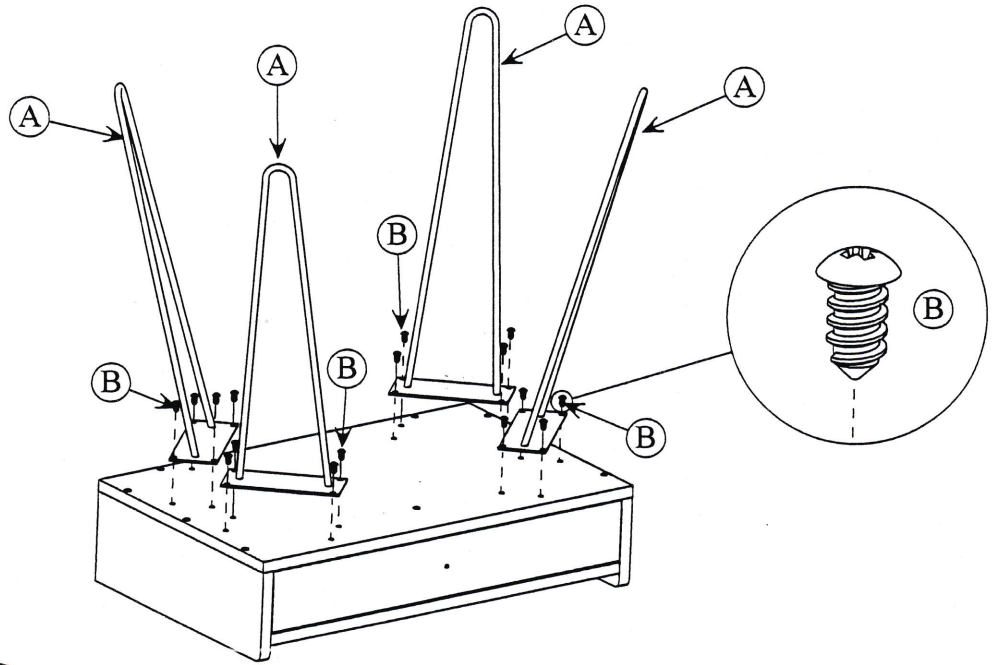
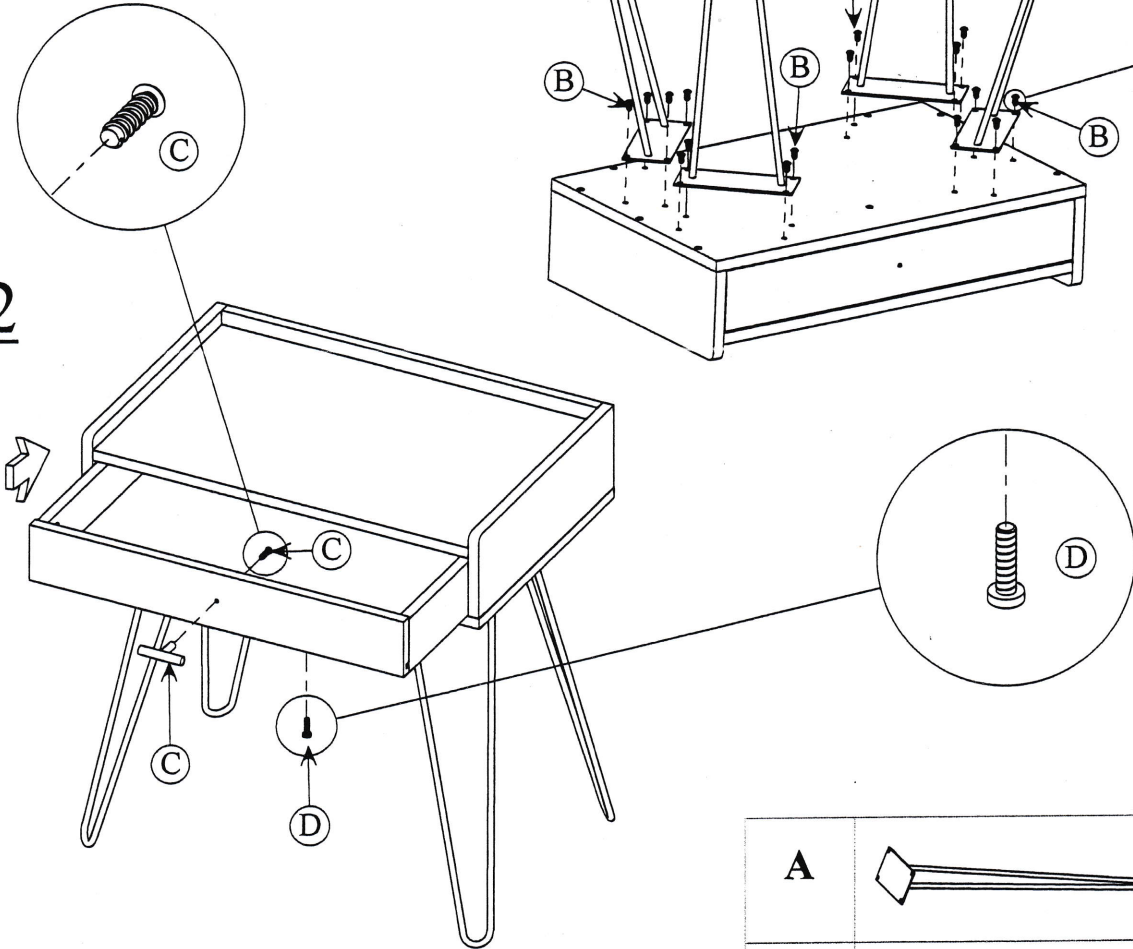


# ASSEMBLY INSTRUCTION SHEET

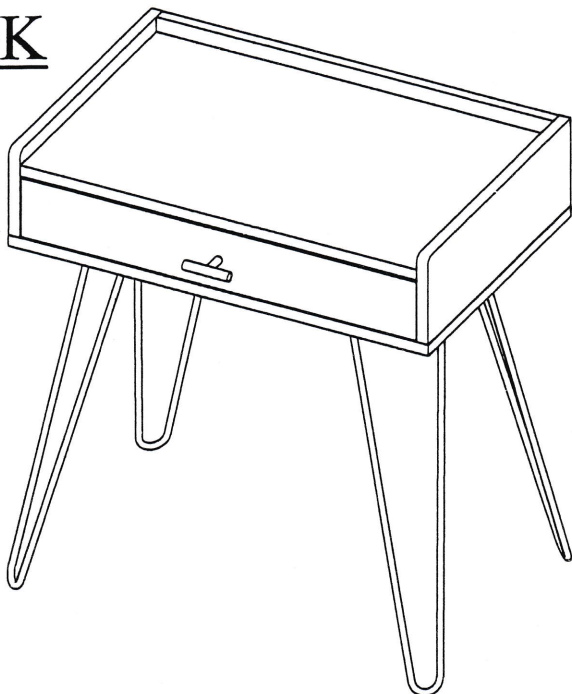
1



2



3 OK



<b>A</b>		<b>X4 PS</b>
<b>B</b>	14.5mm	<b>X16 PS</b>
<b>C</b>	+  20mm	<b>1PS+1PS</b>
<b>D</b>	28mm +	<b>1PS+1PS</b>