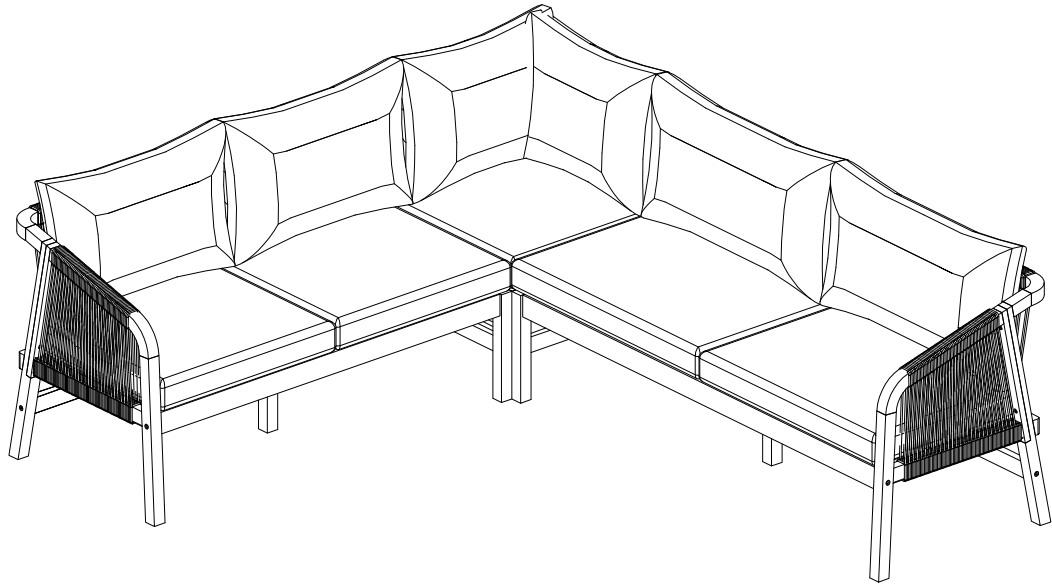


Instruction Manual

238x208cm Wooden Corner Sofa, Brushed Light Acacia



CONTENTS

Safety and care advice	1
Components	2
Assembly instructions	4
Copyright	8

⚠ SAFETY AND CARE ADVICE ⚠

PLEASE READ THESE INSTRUCTIONS CAREFULLY AND KEEP FOR FUTURE REFERENCE

- **Warning:** Please lift with care.
- Check you have all the components and tools listed on pages 2 and 3.
- Remove all fittings from the plastic bags and separate them into their groups.
- Keep children and animals away from the work area, small parts could choke if swallowed.
- Make sure you have enough space to lay out the parts before starting.
- Do not stand or put weight on the product, this could cause damage.
- Assemble the item as close to its final position (in the same room) as possible.
- Assemble on a soft level surface to avoid damaging the unit or your floor (use opened out unit carton).



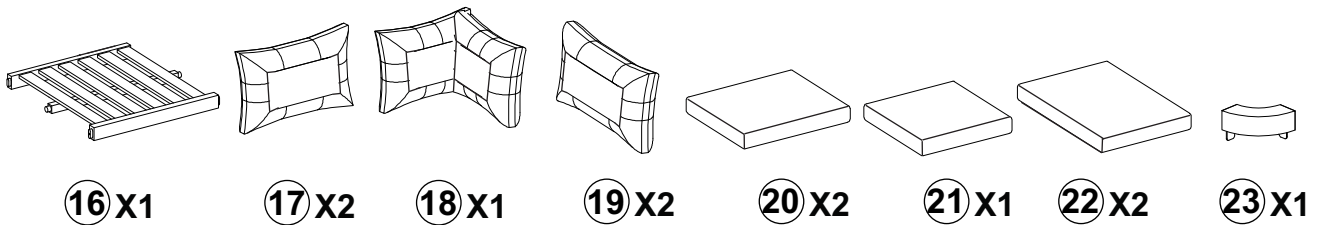
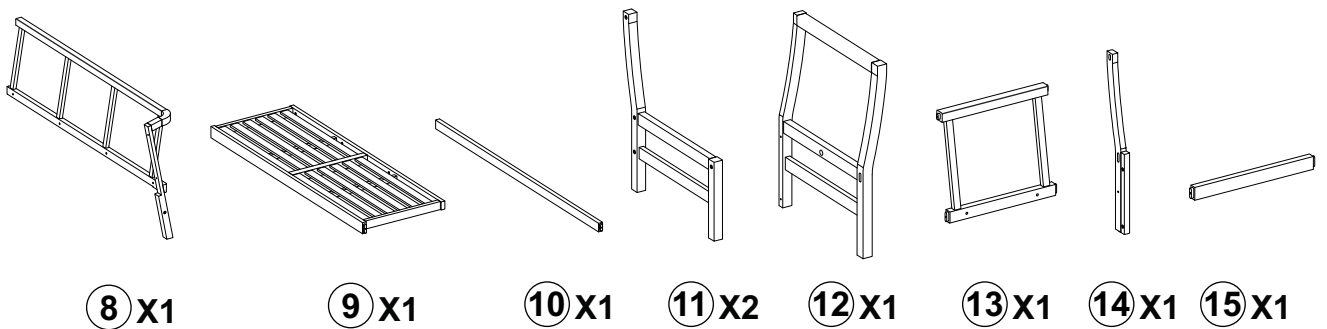
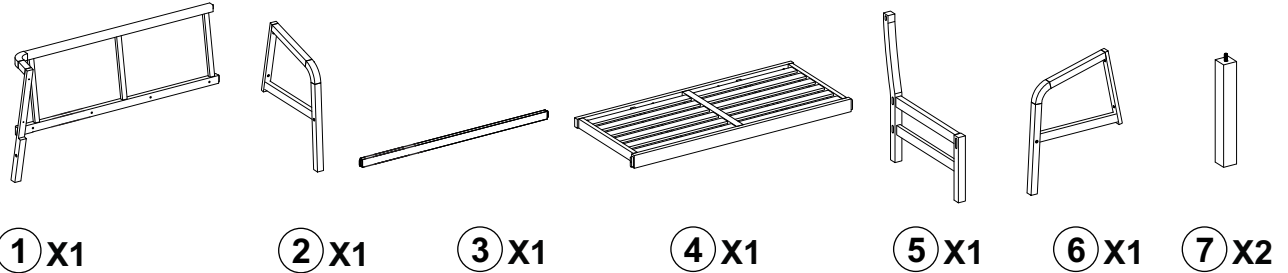
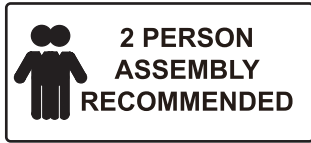
- We do not recommend the use of power drill/drivers **for inserting screws**, as this could damage the unit. Only use hand screwdrivers.
- Dispose of all packaging carefully and responsibly.

CARE AND MAINTENANCE

- Only clean using a damp cloth and mild detergent, do not use bleach or abrasive cleaners.
 - From time to time check that there are no loose screws on this unit.
 - This product should not be discarded with household waste. Take to your local authority waste disposal center.
- Note** *If required the next page can be cut out and used as reference throughout the assembly. Keep this page with these instructions for future reference.*

COMPONENTS

Please check you have all the panels listed below:

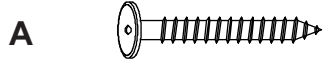


1. Left /Back Frame	x 1	13. Corner / Back Frame	x 1
2. Left / Arm Frame	x 1	14. Corner /Vertical Back Bars	x 1
3. Left / Back Stretcher	x 1	15. Corner /Back Stretcher	x 1
4. Left /Seat Frame	x 1	16. Corner /Seat Frame	x 1
5. Left /End Frame	x 1	17. Left / Back Cushion	x 2
6. Right /Arm Frame	x 1	18. Corner / Back Cushion	x 1
7. Support Leg	x 2	19. Right / Back Cushion	x 2
8. Right /Back Frame	x 1	20. Left / Seat Cushion	x 2
9. Right / Seat Frame	x 1	21. Corner / Seat Cushion	x 1
10. Right /Back Stretcher	x 1	22. Right /Seat Cushion	x 2
11. Right/End Frame	x 2	23. Corner /Connection Block	x 1
12. Corner / Back Frame	x 1		



COMPONENTS

Please check you have all the fittings listed below:



Screw ($\Phi 6 \times 70 \text{mm}$) x 20 (+2)



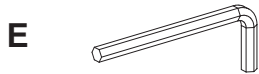
Bolt ($\Phi 6 \times 50 \text{mm}$) x 12 (+2)



Bolt ($\Phi 6 \times 30 \text{mm}$) x 4 (+1)



Screw ($\Phi 4 \times 15 \text{mm}$) x 4 (+1)



Allen key x 2

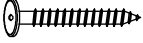




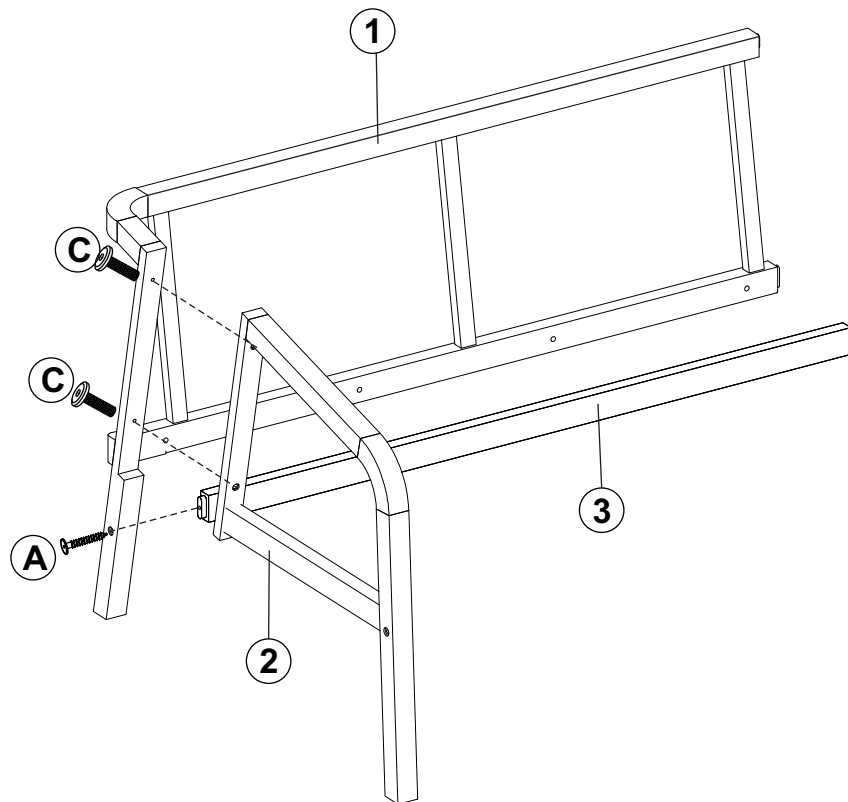
Hole Cover x 4 (+1)



ASSEMBLY INSTRUCTIONS

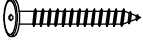


Step 1

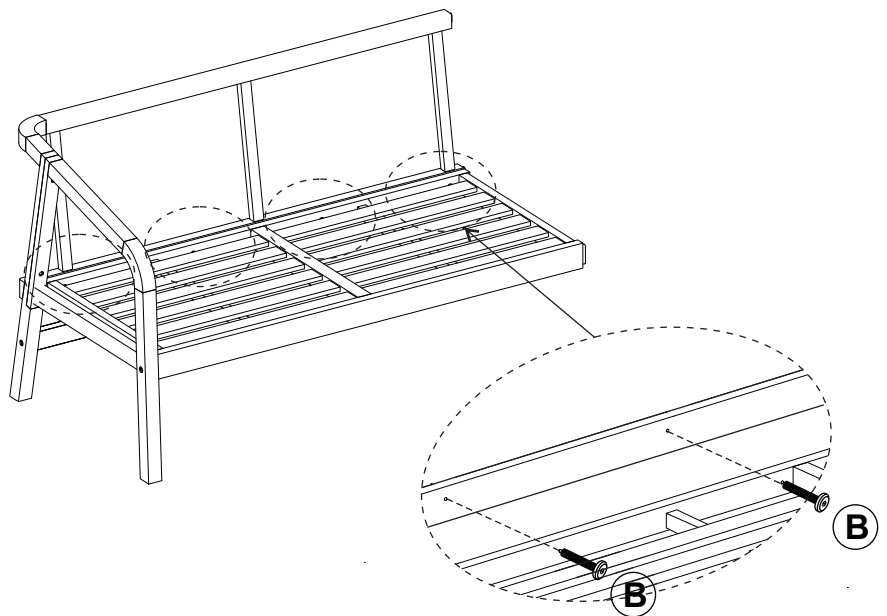
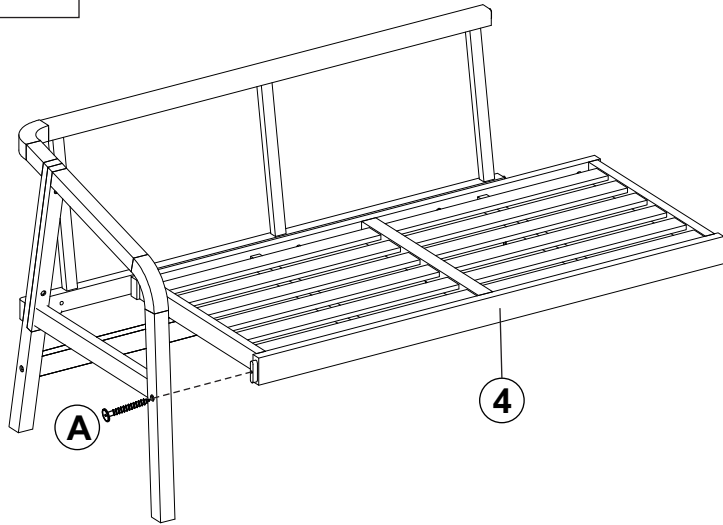
A		1	
C		2	
E		1	



ASSEMBLY INSTRUCTIONS

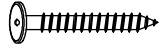

Step 2

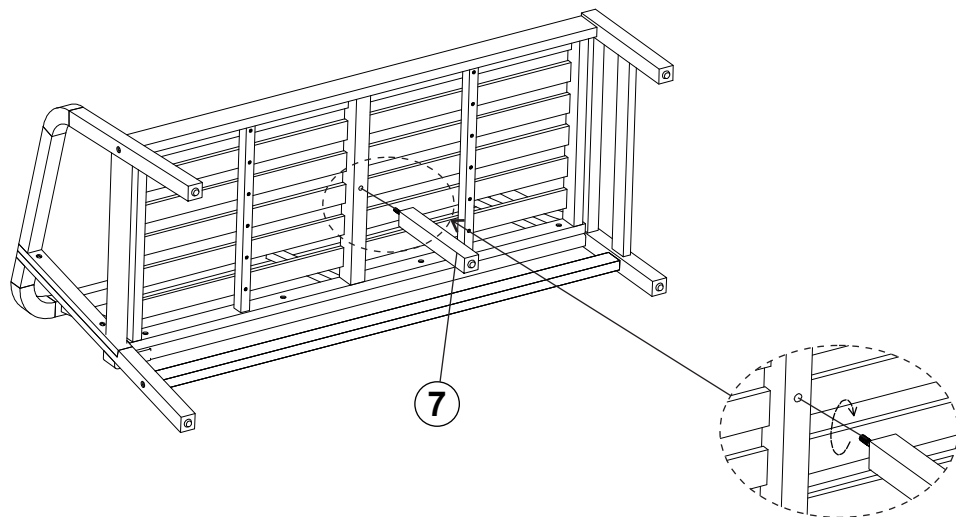
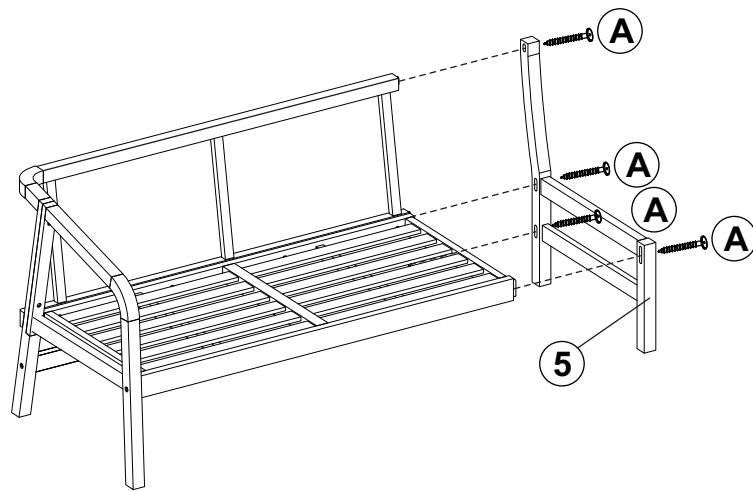
A		1	
B		4	
E		1	



ASSEMBLY INSTRUCTIONS

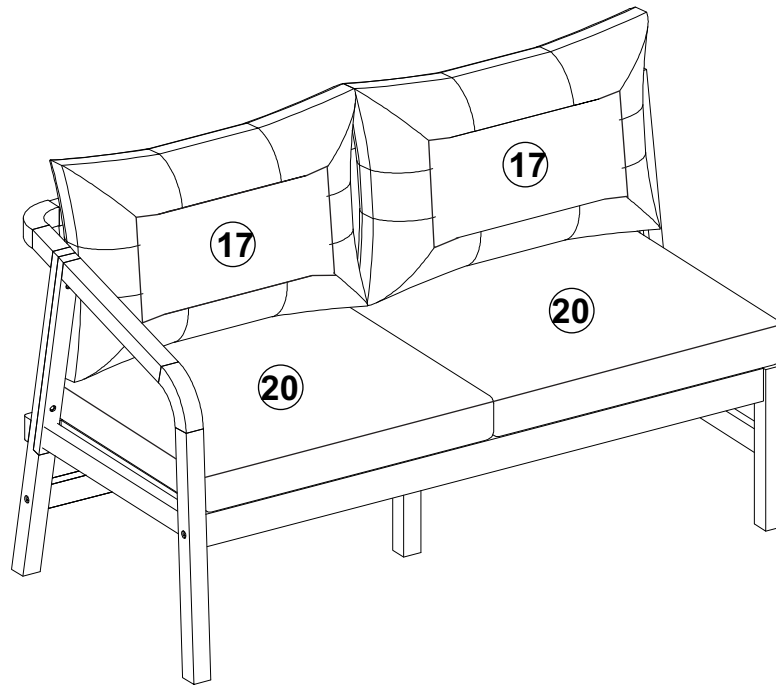
Step 3

A		4	
E		1	



ASSEMBLY INSTRUCTIONS

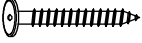


Step 4

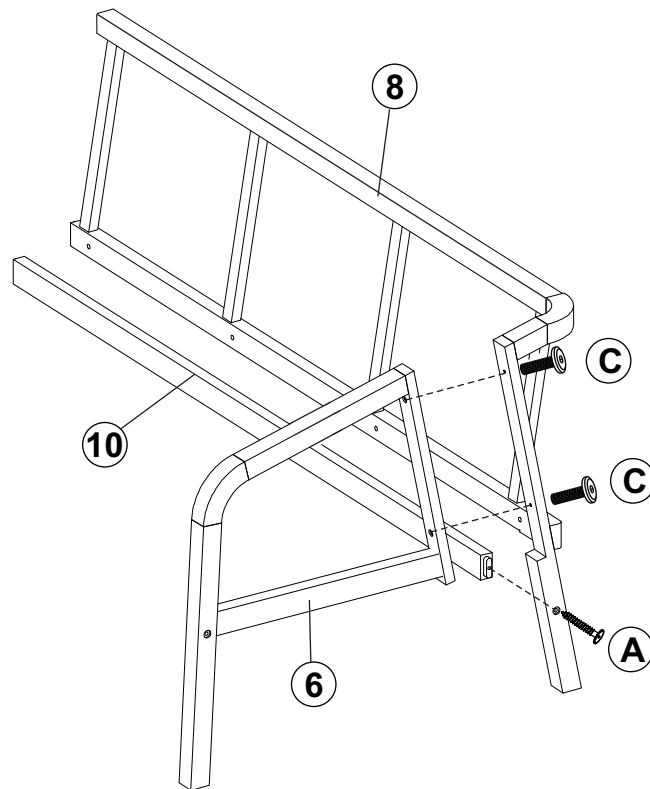


Congratulations! Now you have finished assembling the product.

ASSEMBLY INSTRUCTIONS

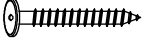


Step 5

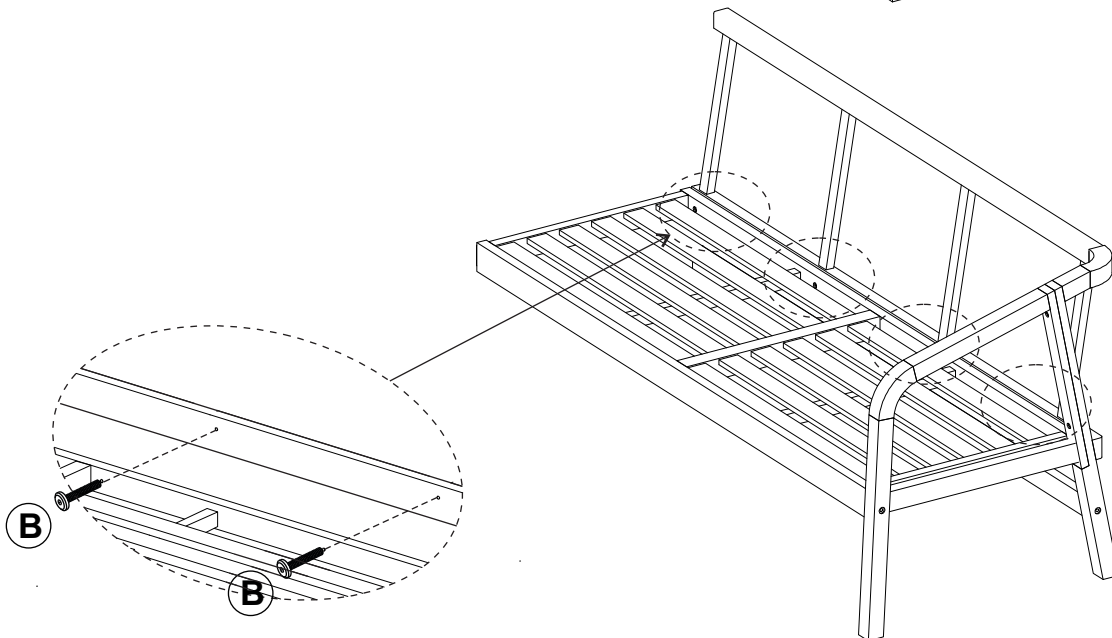
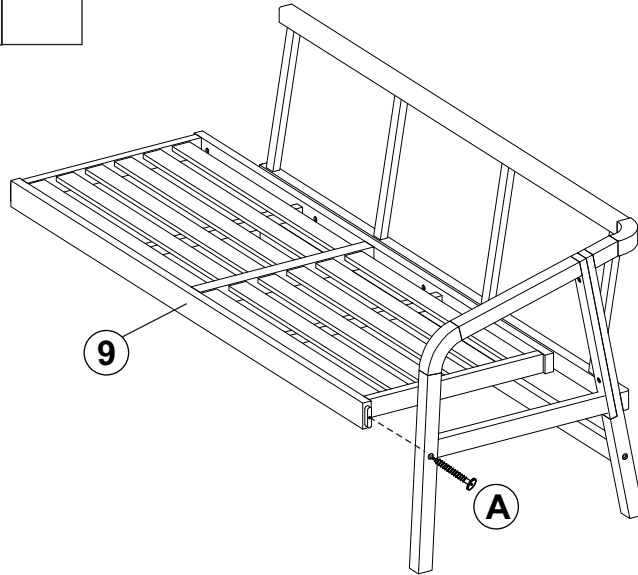
A		1	
C		2	
E		1	



ASSEMBLY INSTRUCTIONS



Step 6

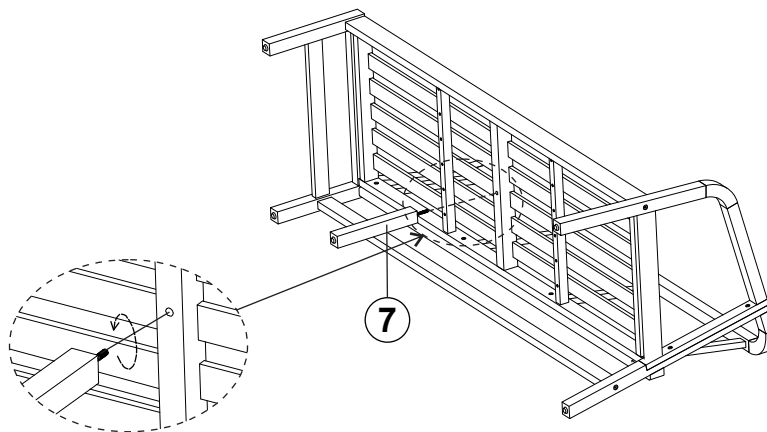
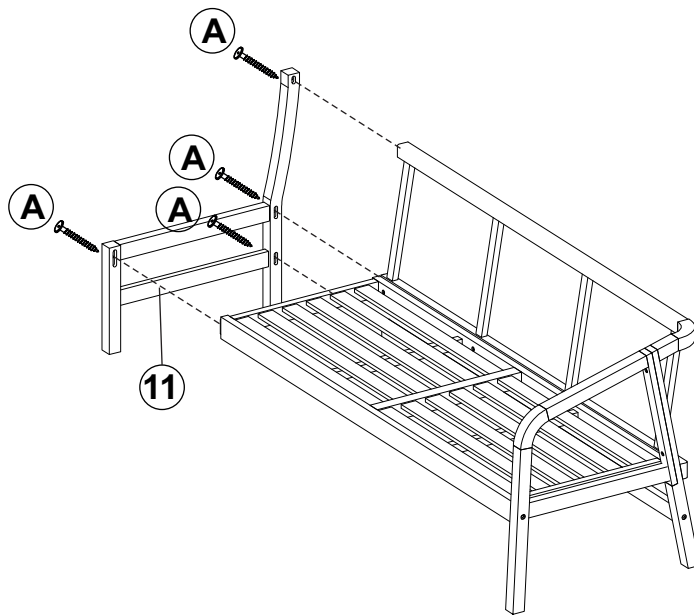
A		1	
B		4	
E		1	



ASSEMBLY INSTRUCTIONS

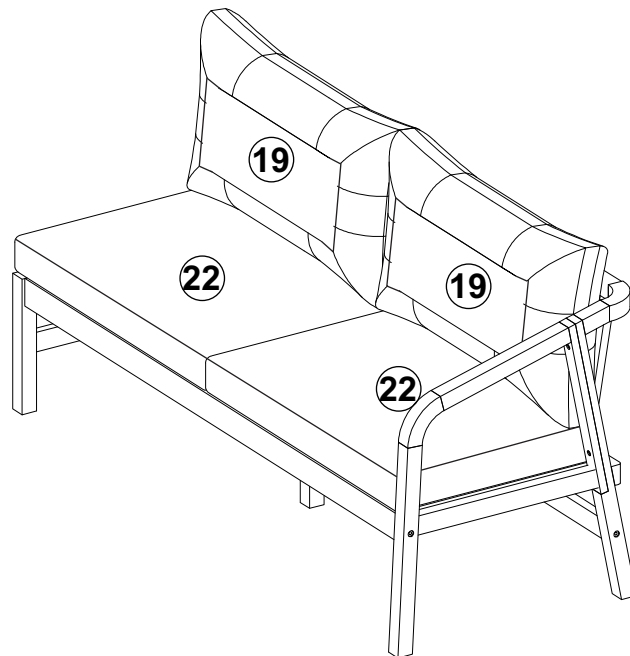
Step 7

A		4	
E		1	



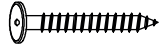

ASSEMBLY INSTRUCTIONS

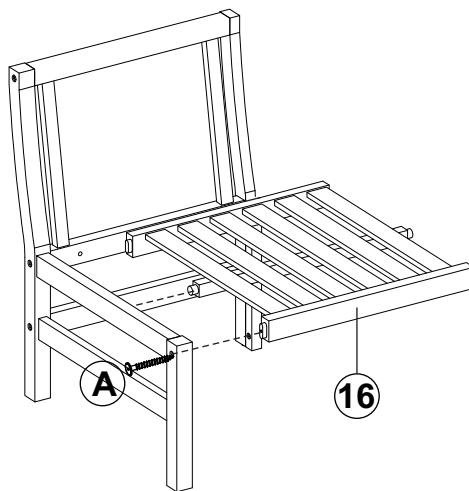
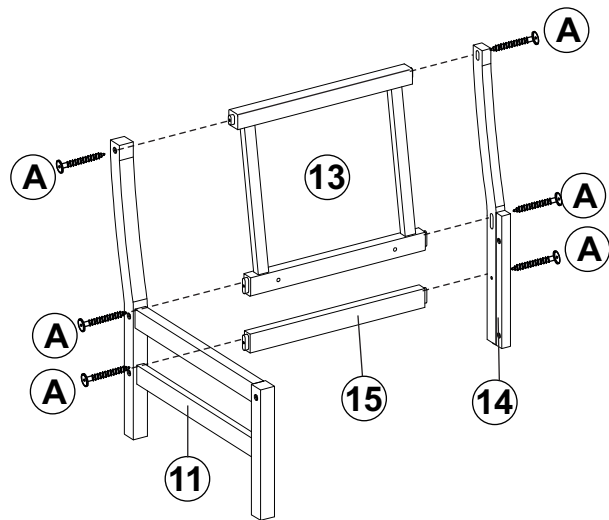
Step 8



ASSEMBLY INSTRUCTIONS



Step 9

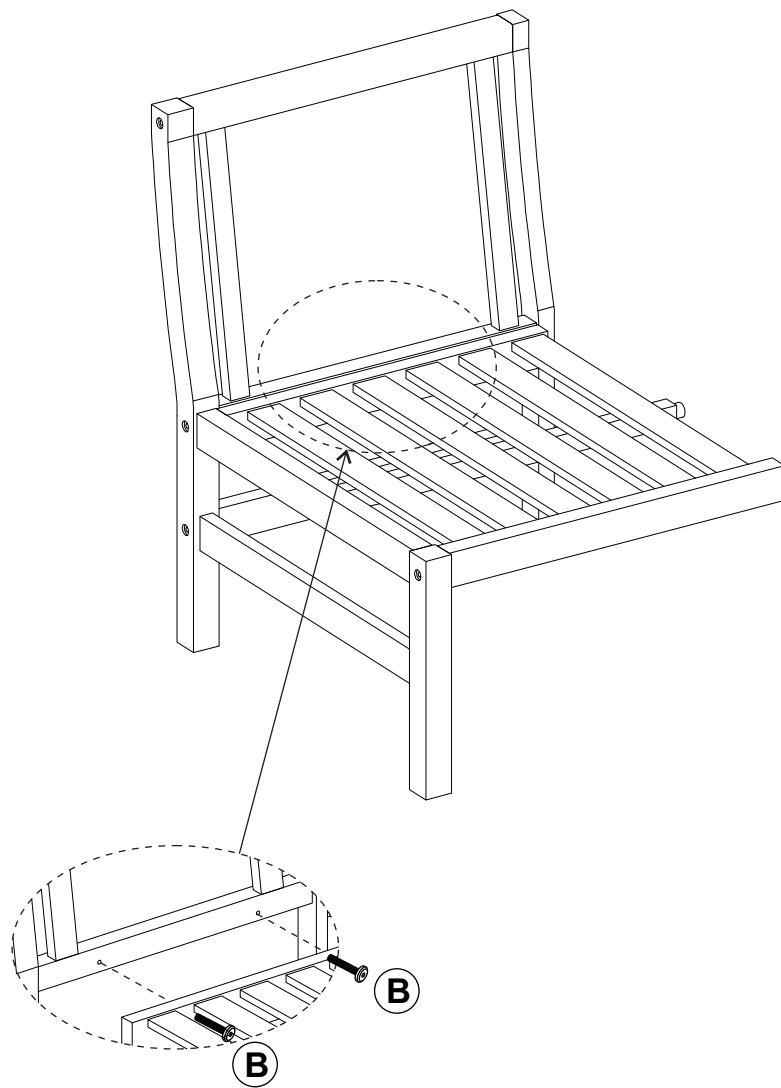
A		7	
E		1	



ASSEMBLY INSTRUCTIONS

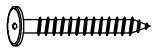


Step 10

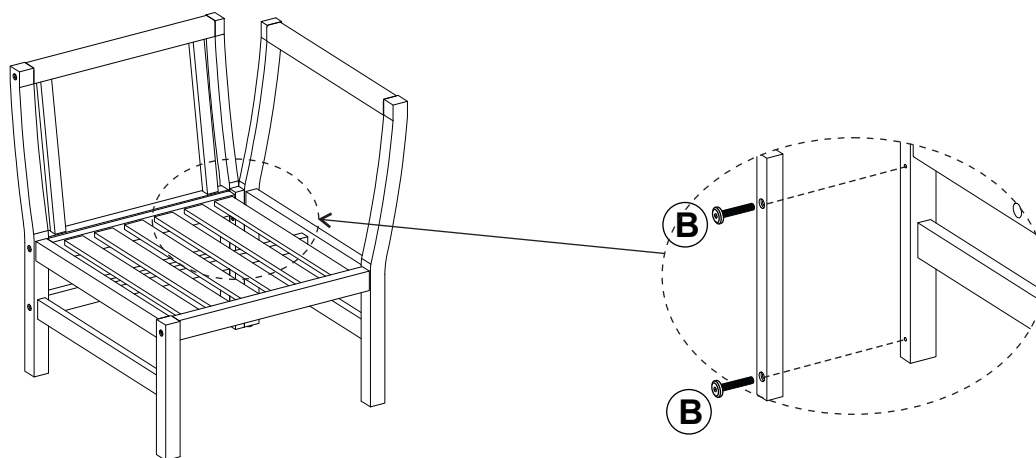
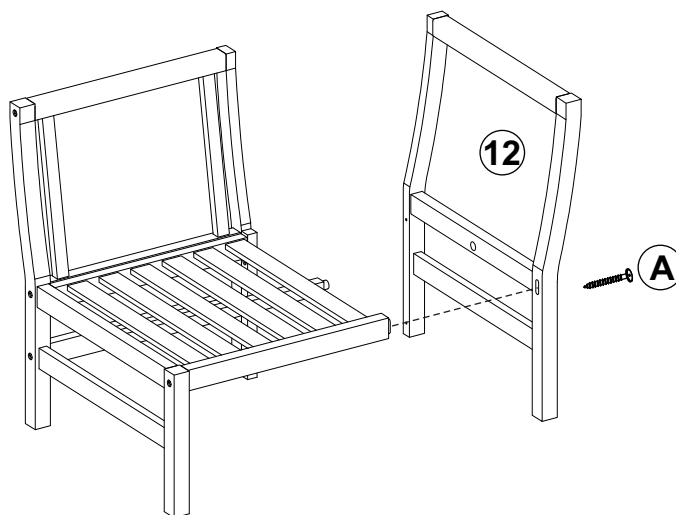
B		2	
E		1	



ASSEMBLY INSTRUCTIONS

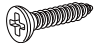
Step 11

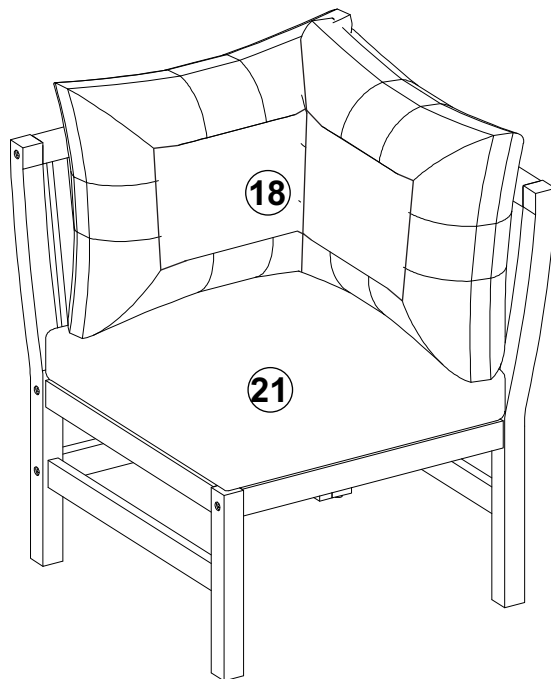
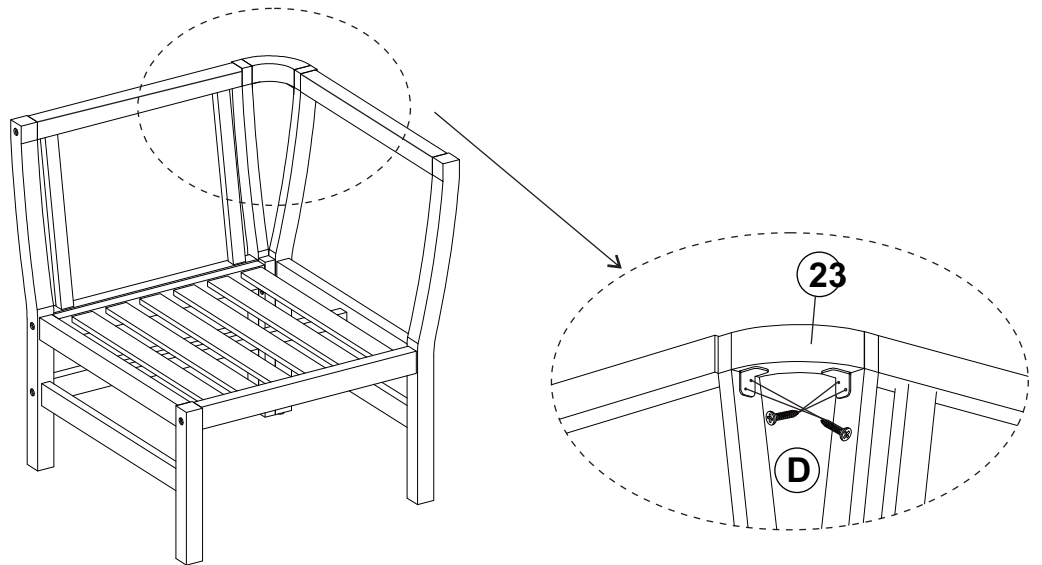
A		1	
B		2	
E		1	



ASSEMBLY INSTRUCTIONS

Step 12

D		4	
---	---	---	--



ASSEMBLY INSTRUCTIONS

Step 13

F		4	
---	---	---	--

