

ASSEMBLY INSTRUCTIONS



CUSTOMER SERVICE

Assembly Instruction

1. Thank you for choosing our office furniture.
2. We hope to provide a more comfortable office space for you to constantly generate inspiration.
3. Please organize all pieces so that you can follow the instruction for smooth assembly.
4. Note to self, don't be so excited and slow down and read the instruction step by step.
5. Clear up enough space for the installation and remove any obstacles in the way.
6. The product could be assembled by one person, but would recommend two.
7. If any problems, please contact us:

1-Year Warranty

We offer 1-year warranty starting from the purchase date during normal use. But if any problem, please contact us via email for support or replacement.

More Efficient Response

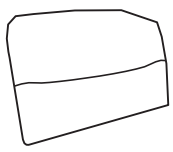
To make us understand the exact problem and solve the problem more effectively, it would be better if you can send us the order ID and attach the pictures or videos illustrating the problems.

Problem You May Encounter

Problem	Solution
If you have difficulty installing this product	Contact us
Parts are missing, defective, or wrong parts in the package.	Contact us

TURN THE PAGE FOR ASSEMBLY MANUAL →

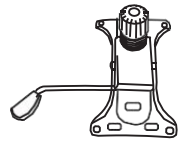
Ax1



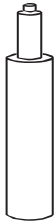
Bx1



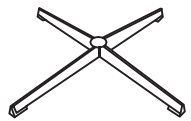
Cx1



Dx1



Ex1



Fx1

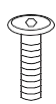


Gx4



M6*20

Hx4

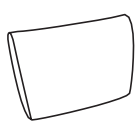


M6*25

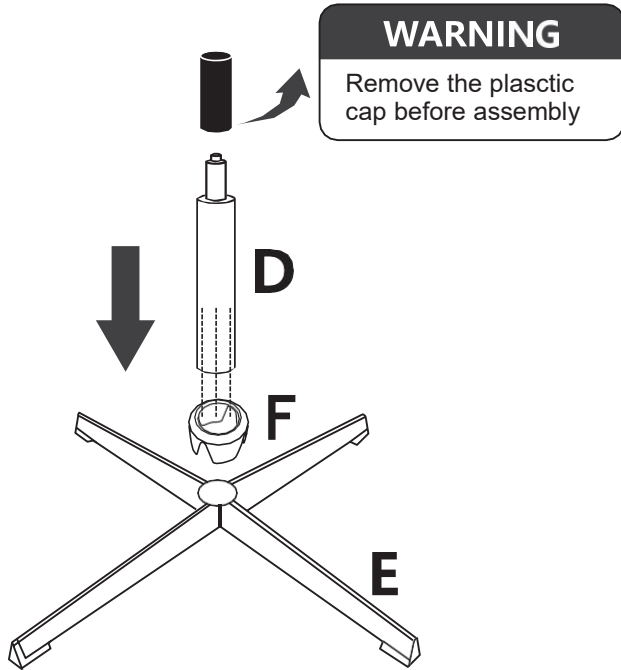
Ix1



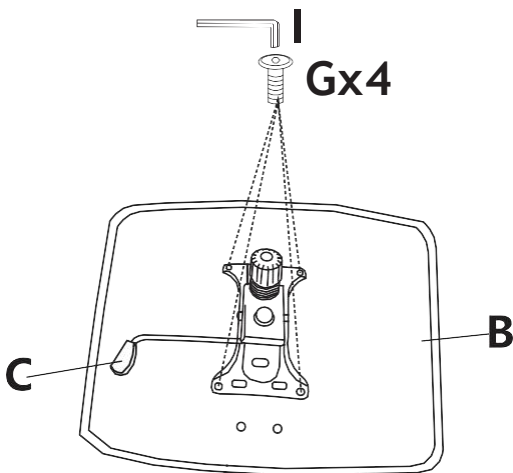
Jx1



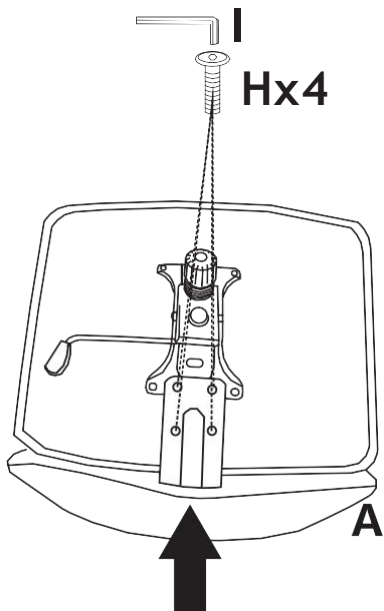
1



2



3



Push the backrest towards the seat with a little more force to align the holes before screwing in the bolts.

4

