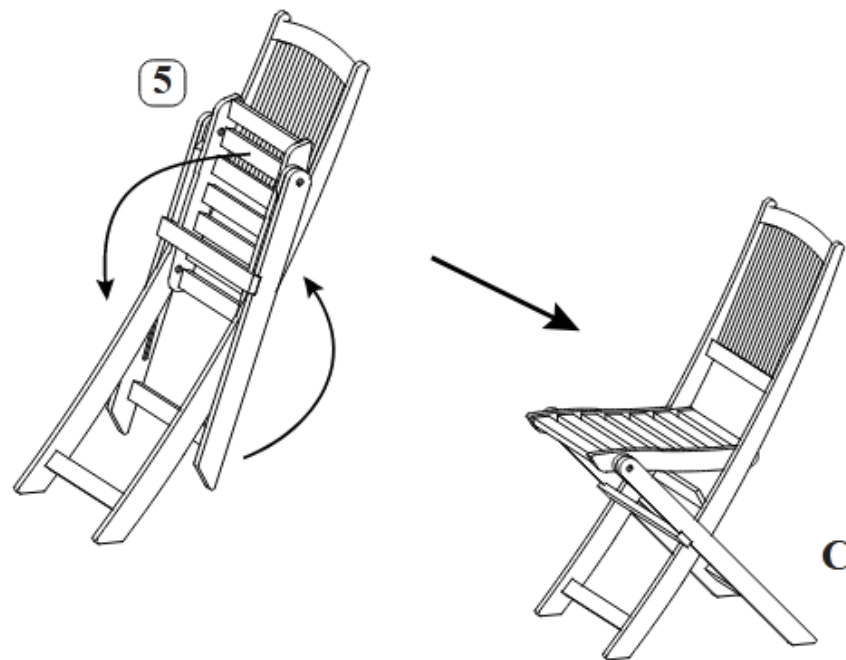


Step 5



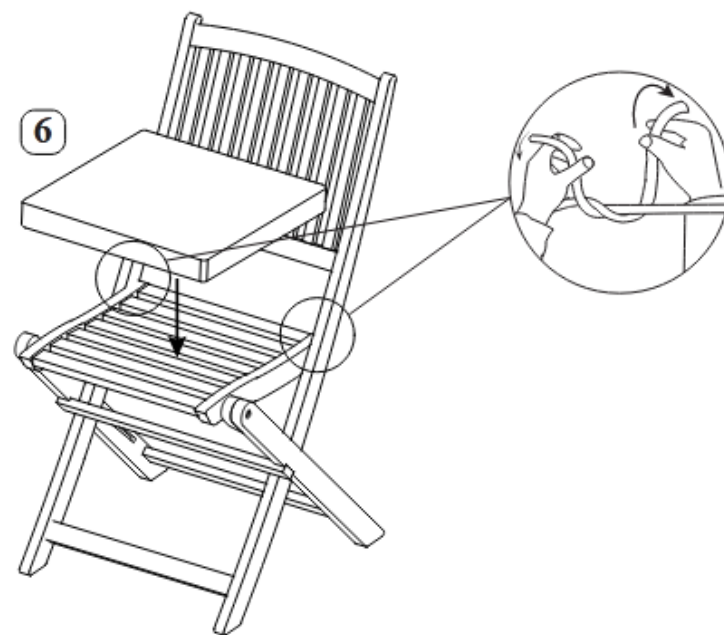
Table

Step 6: x2

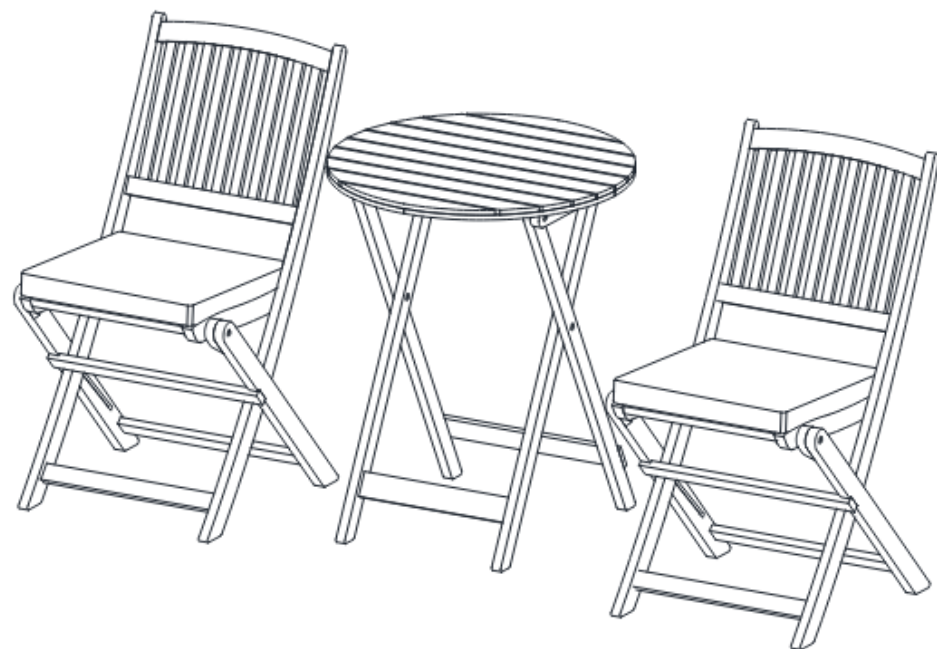


Chair

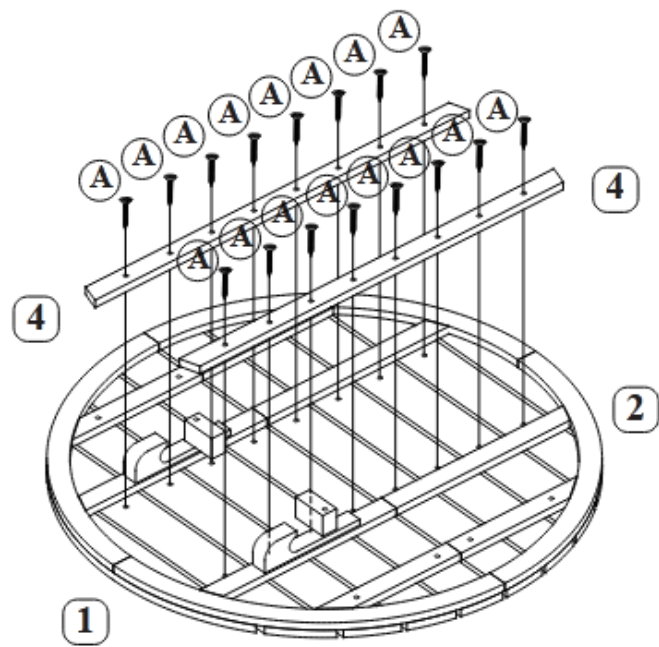
Step 7: x2



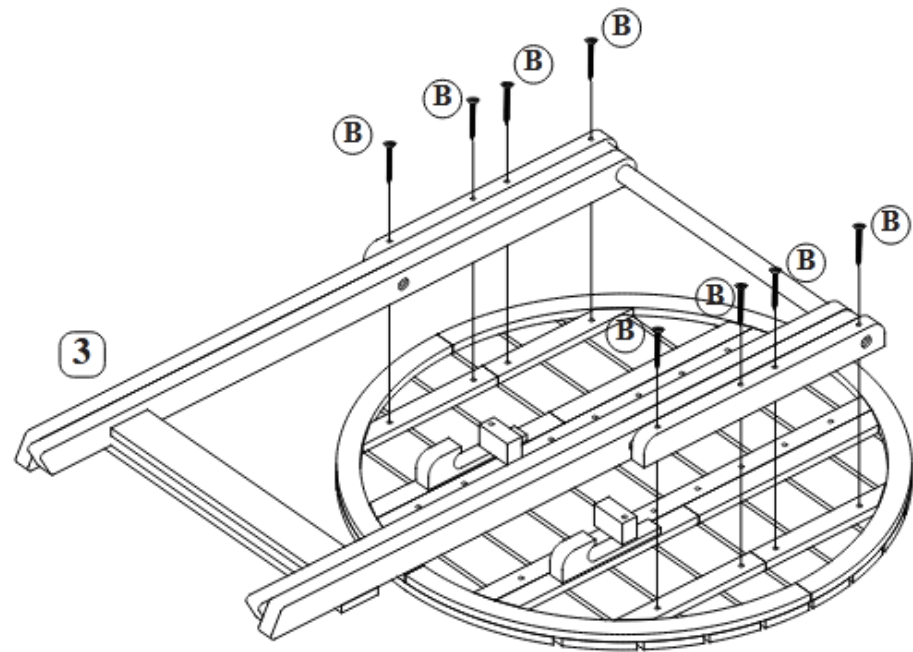
Step 8



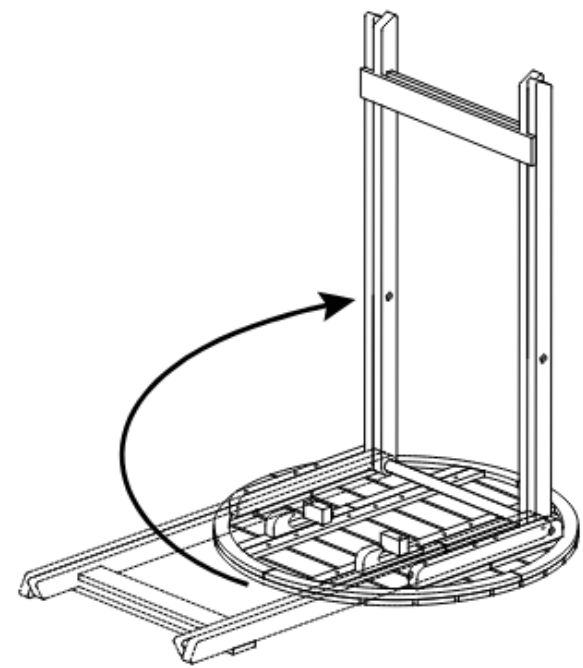
Step 1



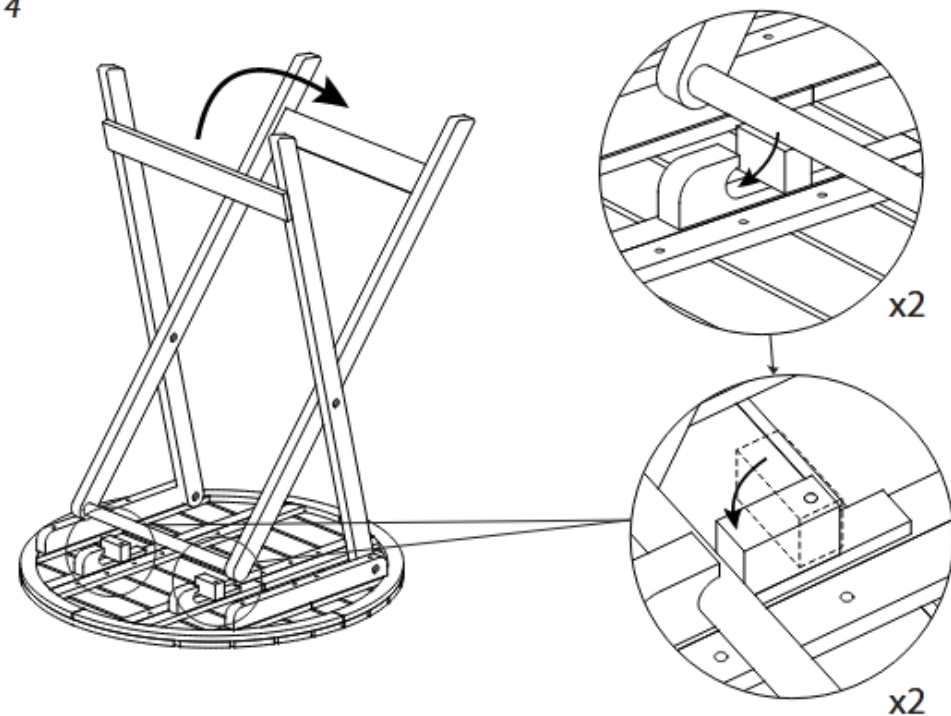
Step 2



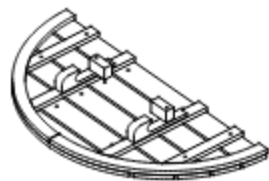
Step 3



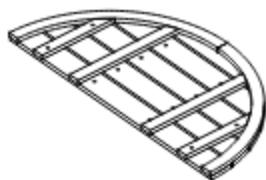
Step 4



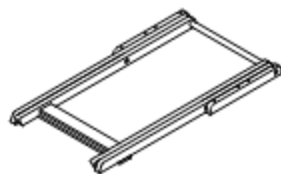
Component List



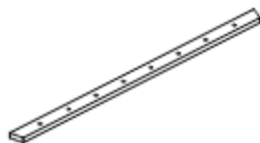
① Table top A
x1 pc



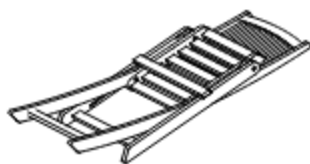
② Table top B
x1 pc



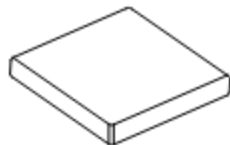
③ Leg component
x1 pc



④ Table connector
x2 pcs



⑤ Chairs
x2 pcs



⑥ Cushion
x2 pcs



Ⓐ M4X15 Screw
x16 pcs



Ⓑ M5X50 Screw
x8 pcs