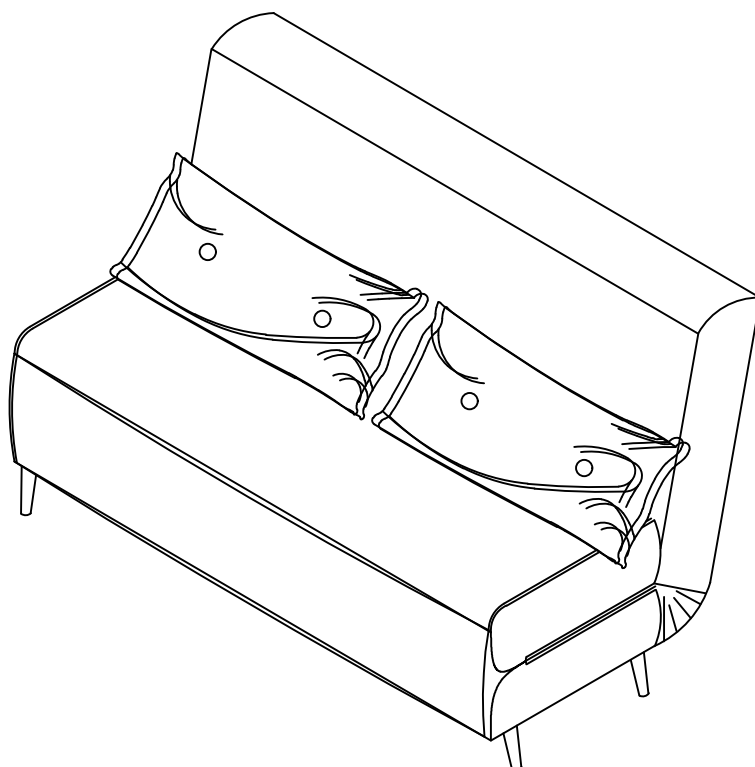


# Double Sofa Bed

Assembly Instructions – Please keep for future reference



Dimensions	No. People	Assembly Time	OW #
Width: 121 cm Depth: 90 cm Height: 82 cm		90 mins (approx.)	

### Important

PLEASE READ THESE INSTRUCTIONS FULLY BEFORE STARTING ASSEMBLY  
PLEASE DO NOT THROW THE PACKAGING AWAY UNTIL YOU ARE SATISFIED WITH PURCHASE,  
GOODS NEED TO BE RETURNED IN ORIGINAL PACKAGING.

## Safety and Care Advice

### **Important**

PLEASE READ THESE INSTRUCTIONS FULLY BEFORE STARTING ASSEMBLY

PLEASE DO NOT THROW THE PACKAGING AWAY UNTIL YOU ARE SATISFIED WITH PURCHASE,  
GOODS NEED TO BE RETURNED IN ORIGINAL PACKAGING.

Check you have all the components and tools listed on pages 4 and 5.

Remove all fittings from the plastic bags and separate them into their groups.

Keep children and animals away from the work area, small parts could choke if swallowed.

Make sure you have enough space to lay out the parts before starting.

Do not stand or put weight on the product, this could cause damage.

Assemble the item as close to its final position (in the same room) as possible.

Assemble on a soft, level surface to avoid damaging the unit or your floor.

We do not recommend the use of power drill/drivers for inserting screws, as this could damage the unit. Only use hand screwdrivers.

Dispose of all packaging carefully and responsibly.

### **Care and Maintenance**

Only clean using a damp cloth and mild detergent, do not use bleach or abrasive cleaners.

From time to time check that there are no loose screws on this unit.

This product should not be discarded with household waste. Take to your local authority waste disposal centre.

If kept outside please ensure in the winter months that the product is correctly covered or put away into a dry environment to prevent corrosion, weathering or damage.


If your product is not designed to be outside, we recommend that it is always kept indoors in a dry environment.

# Exploded View



# Components - Panels

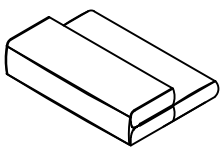


Please check that you have all the components listed below before constructing your item.

Part No	Description	Qty	Size (mm)	Thickness (mm)
<b>A</b>	 <b>Bolt-M4x40</b>	<b>16</b>	<b>40</b>	

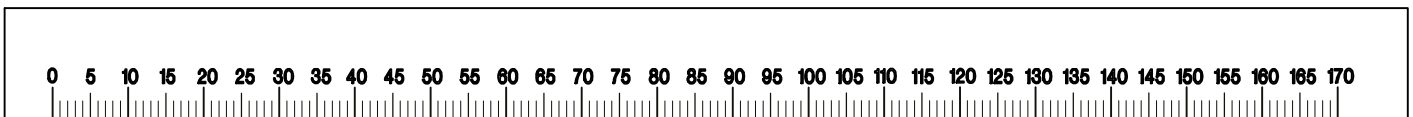
# Components - Fixings

Please check that you have all the components listed below before constructing your item.

Note: The quantities below are the correct amount to complete the assembly. In some cases more fittings may be supplied than are required.

(1)	 <b>X1</b>	(2)	 <b>X2</b>	(3)	 150mm <b>X4</b>		

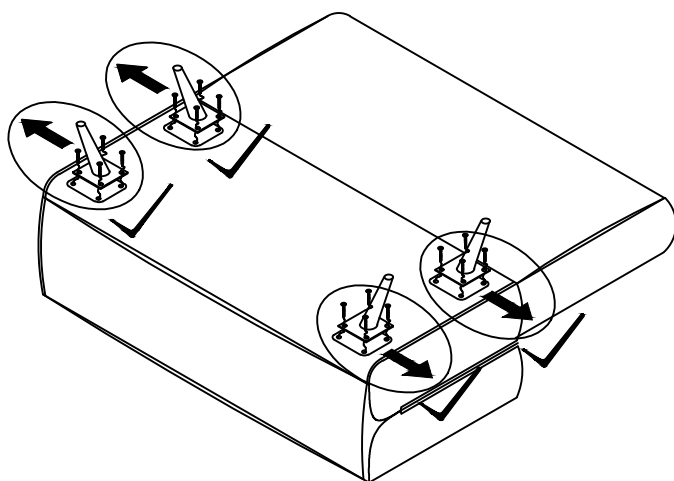
Ruler – Use this to measure your screws (mm)



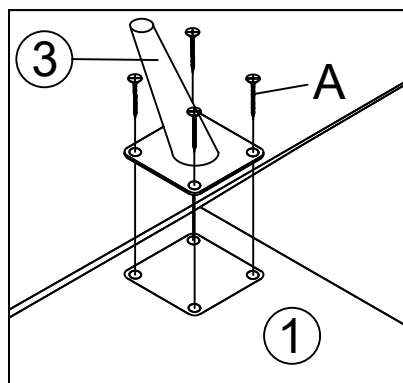
Important – Please read these instructions fully before starting assembly

# Assembly Instructions

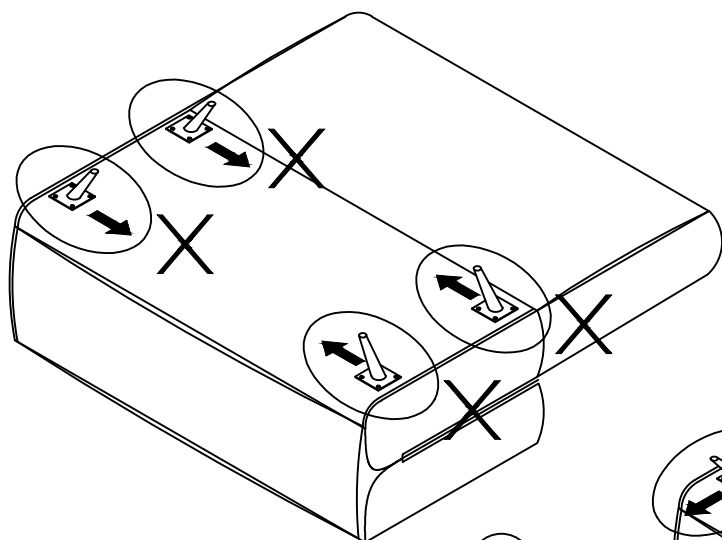
## Step 1



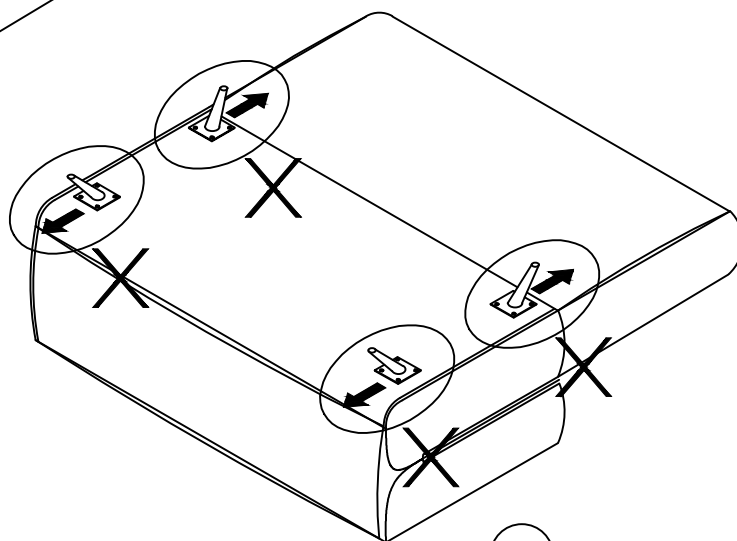
(a)



Please install the feet as photo (a)



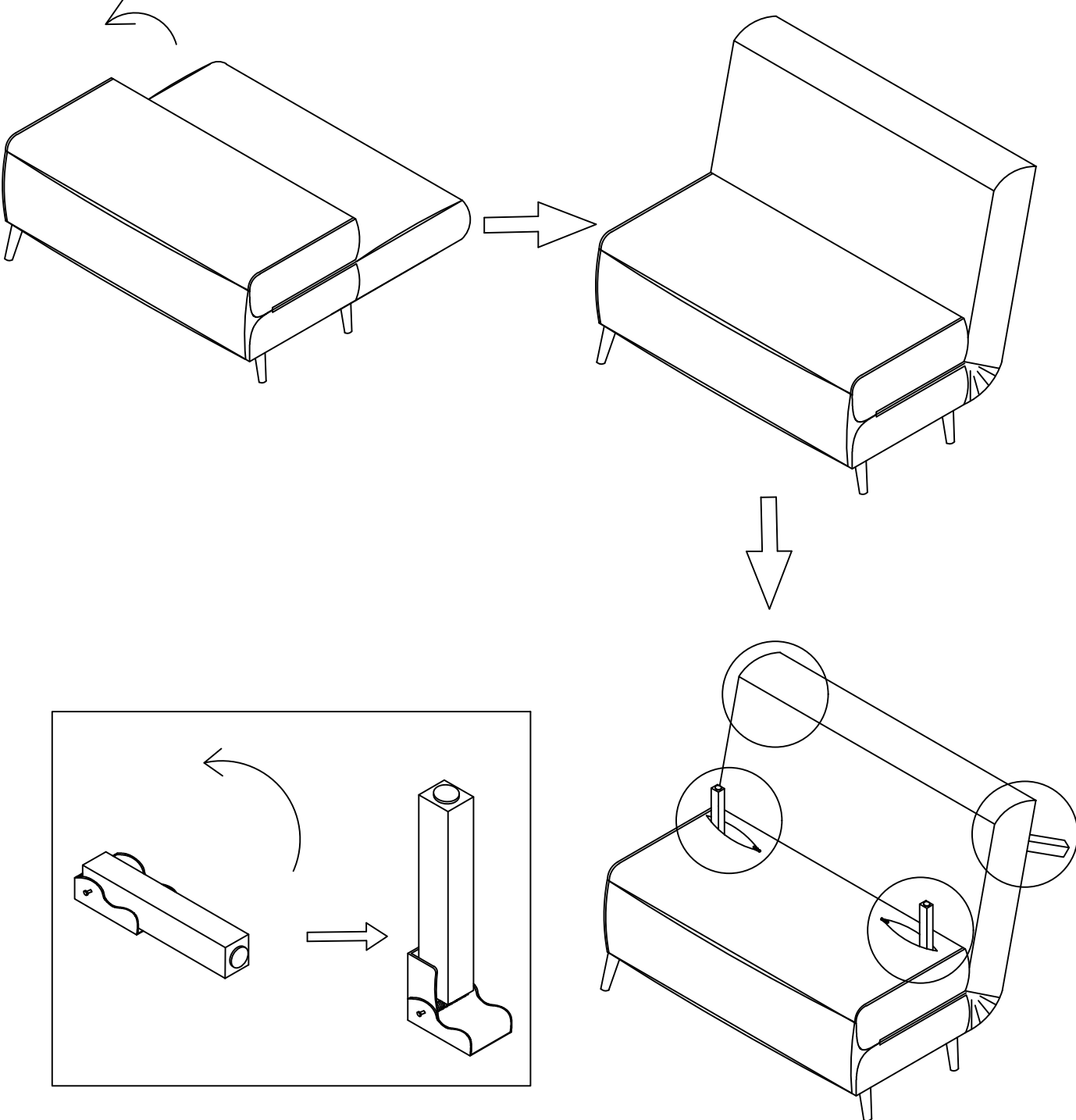
(b)



(c)

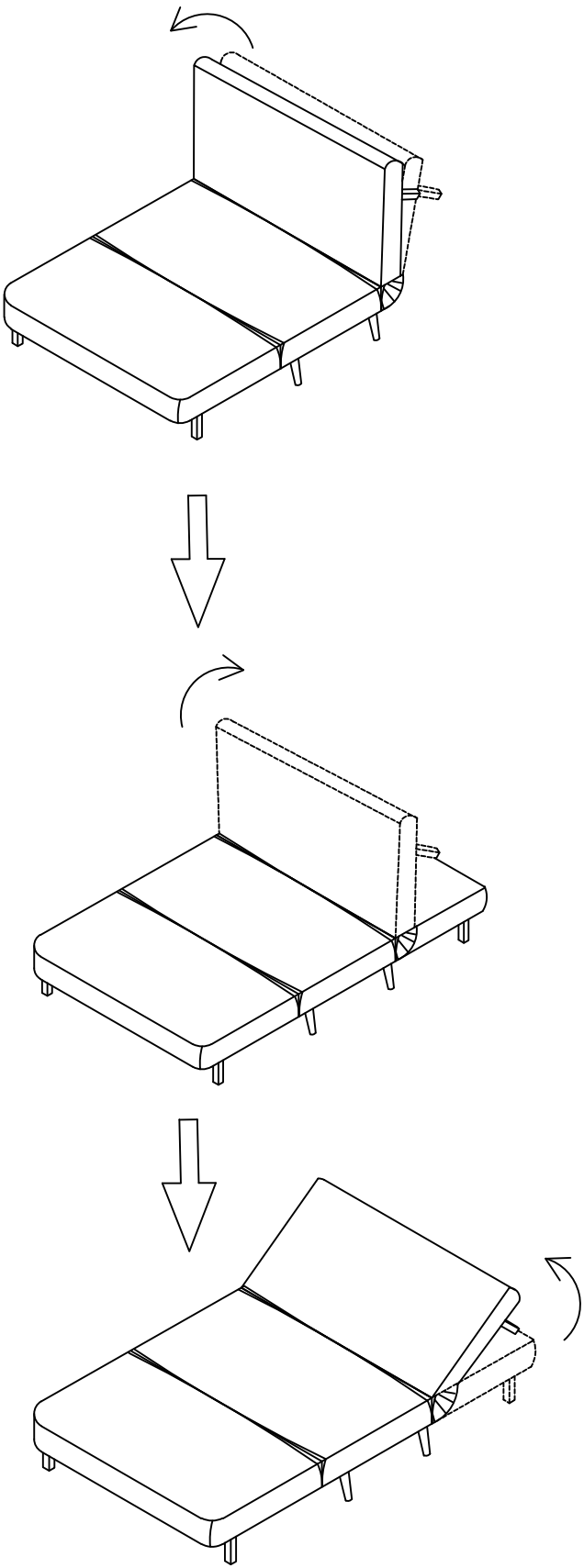
# Assembly Instructions

## Step 2



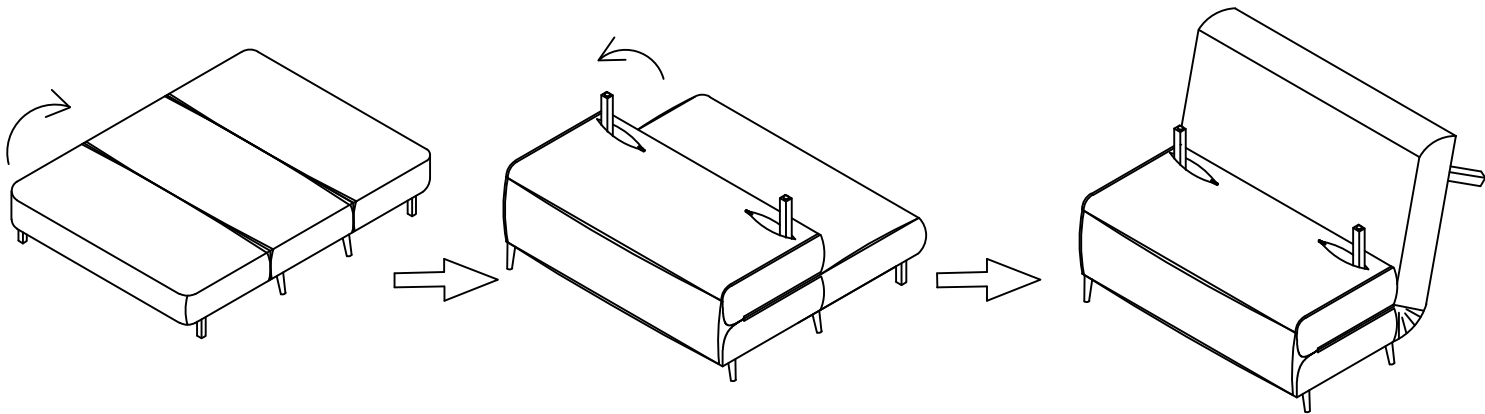
# Assembly Instructions

## Step 3



# Assembly Instructions

## Step 4



## Step 5

