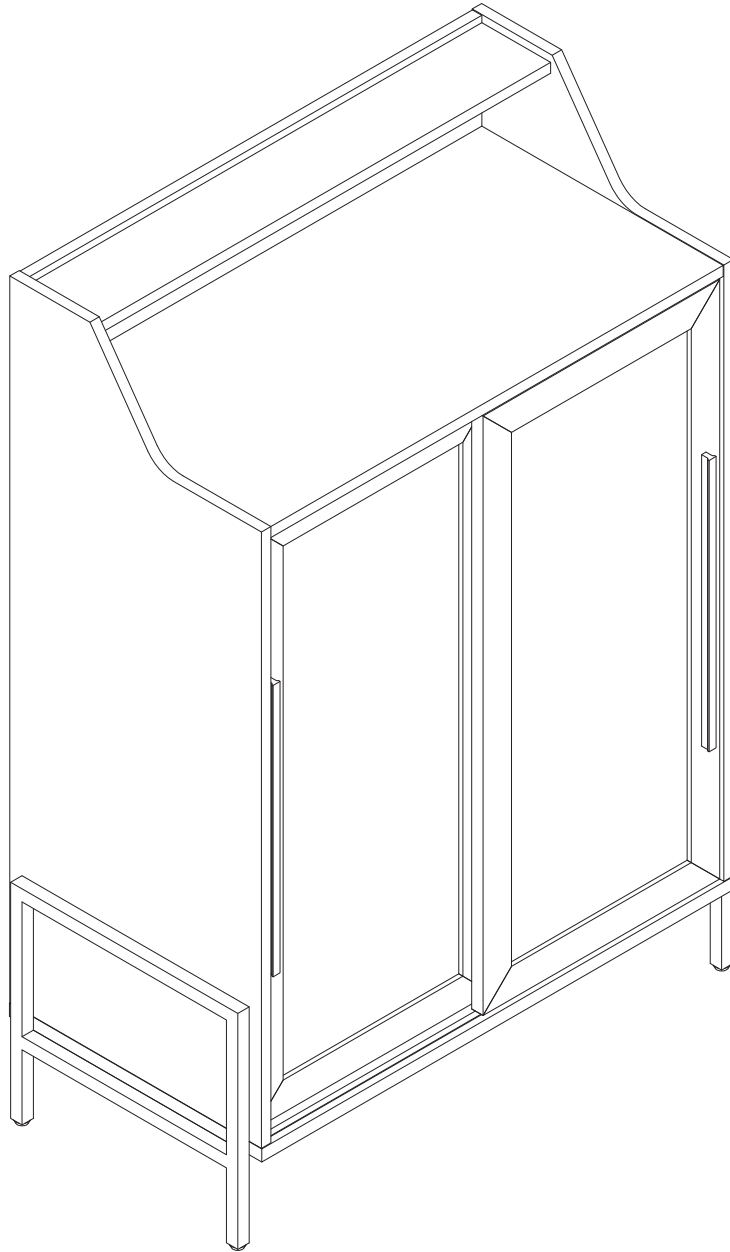


# Shoe Rack



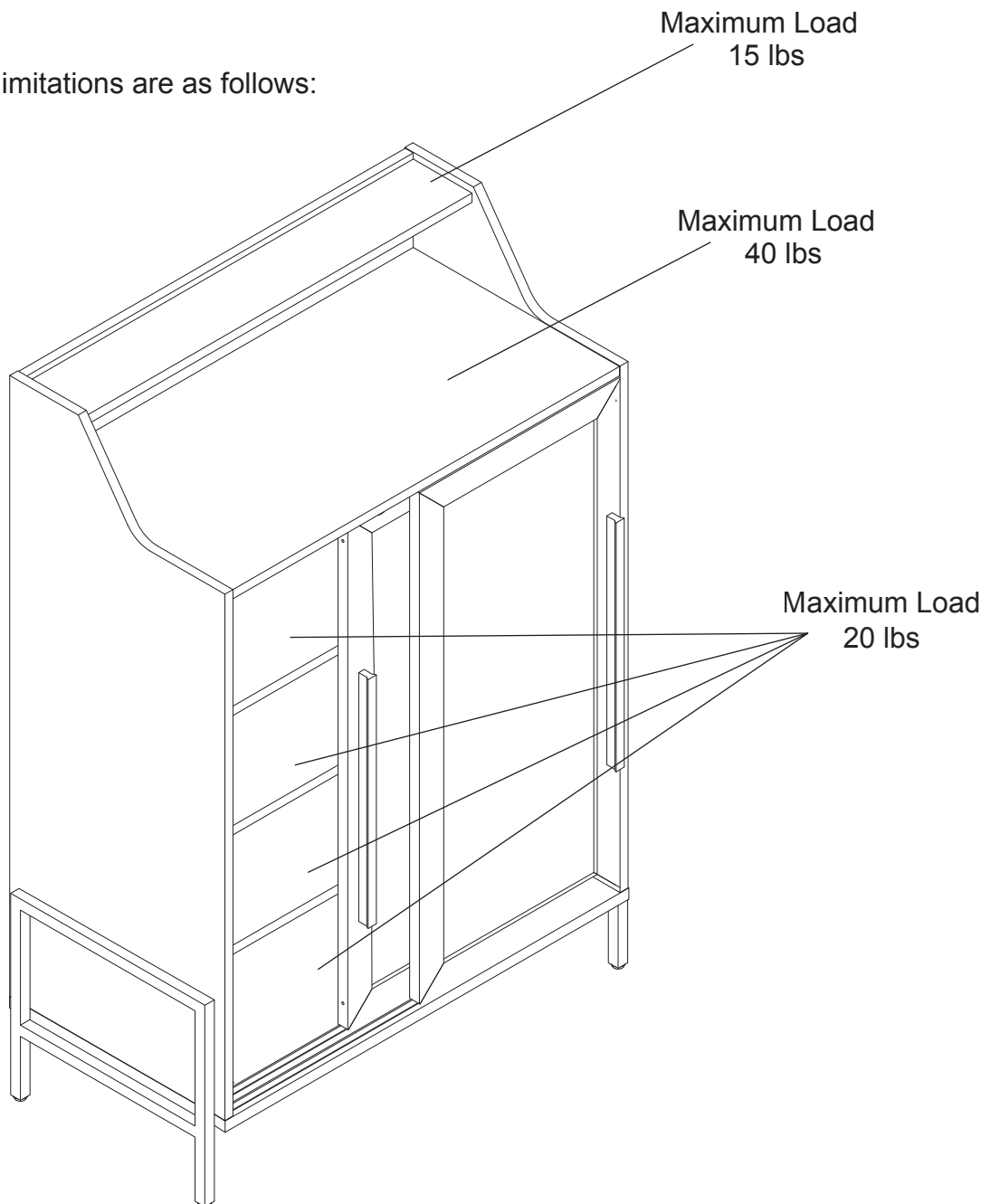


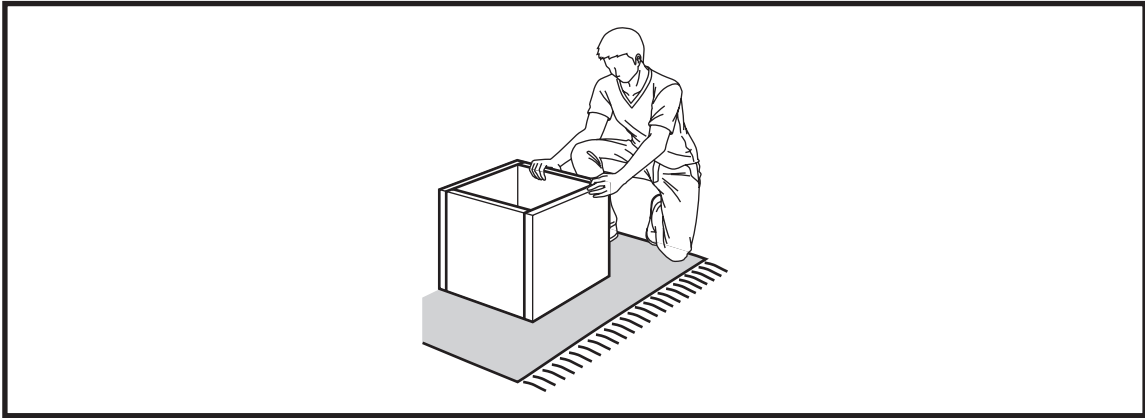
Estimated time for assembly:

**50 mins**



Weight limitations are as follows:

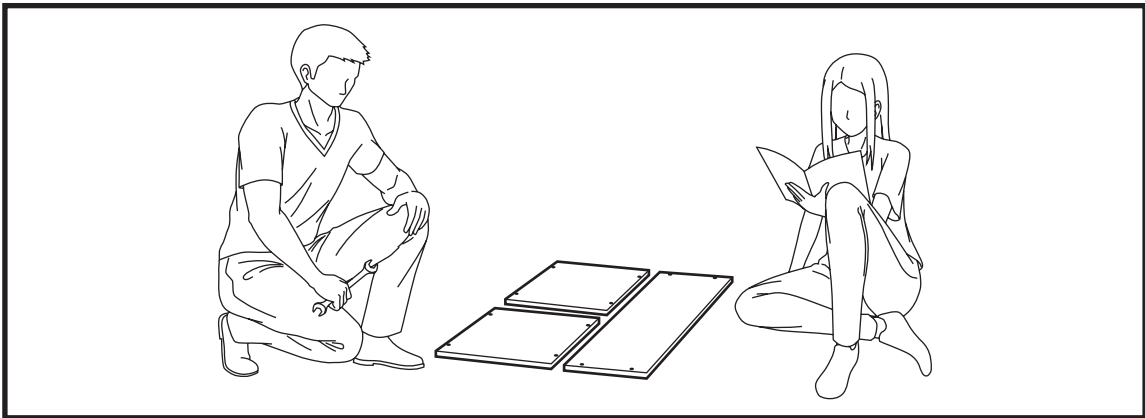




Assemble the furniture on an empty carton, carpet, or rug to prevent scratches or damage.

For safety, please keep pets and children away from the assembly area.

Ensure the product is fully assembled before use. If you are missing any hardware or products, do not use it until you have restored the missing parts.



This furniture requires 2 people for assembly.

Read this instruction manual prior to assembly to familiarize yourself with the various steps.

Lay out all components and hardware separately on a flat surface and make sure that no parts are missing or damaged before assembly. Do not destroy or discard any packaging until you are certain that you have all the necessary parts for assembly.

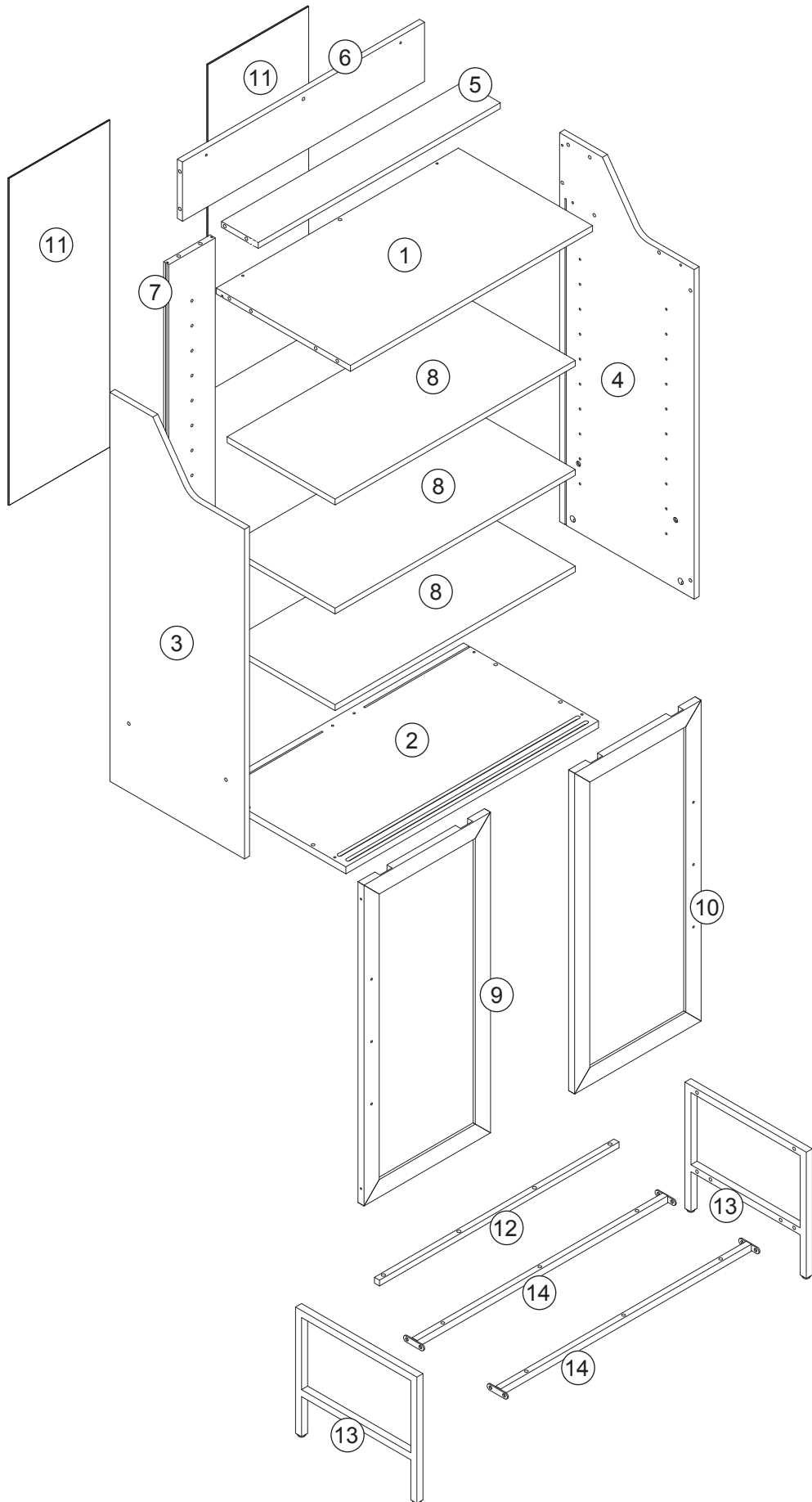
Hand tight all hardware and careful not to over tighten to avoid damaging the product.

## **CAUTION**

There are small components used in the construction of this product. Loose items should be kept away from pets and children to avoid a choking hazard.

Keep all plastic bags and packaging film away from pets and children to avoid suffocation.

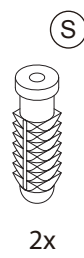
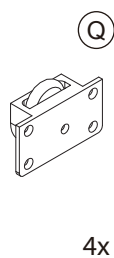
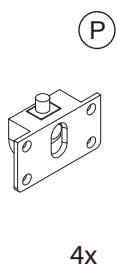
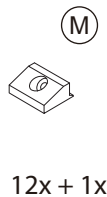
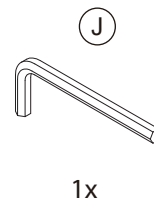
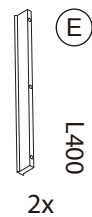
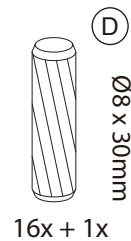
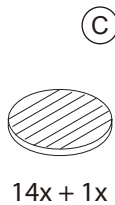
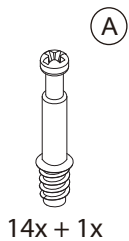
# PACKAGE CONTENTS



# PACKAGE CONTENTS

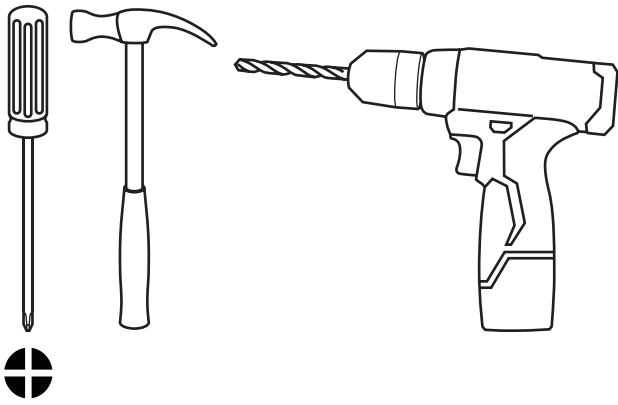
CODE	DESCRIPTION	QTY
1	Top Panel	1
2	Bottom Panel	1
3	Left Side Panel	1
4	Right Side Panel	1
5	Top shelf Panel	1
6	Upper Back Panel	1
7	Back Support Panel	1
8	Storage Shelf Panel	3
9	Left Cabinet Door	1
10	Right Cabinet Door	1
11	Back Panel	2
12	Metal Support Strip	1
13	Metal Frame	2
14	Metal Connection Strip	2

# PACKAGE CONTENTS



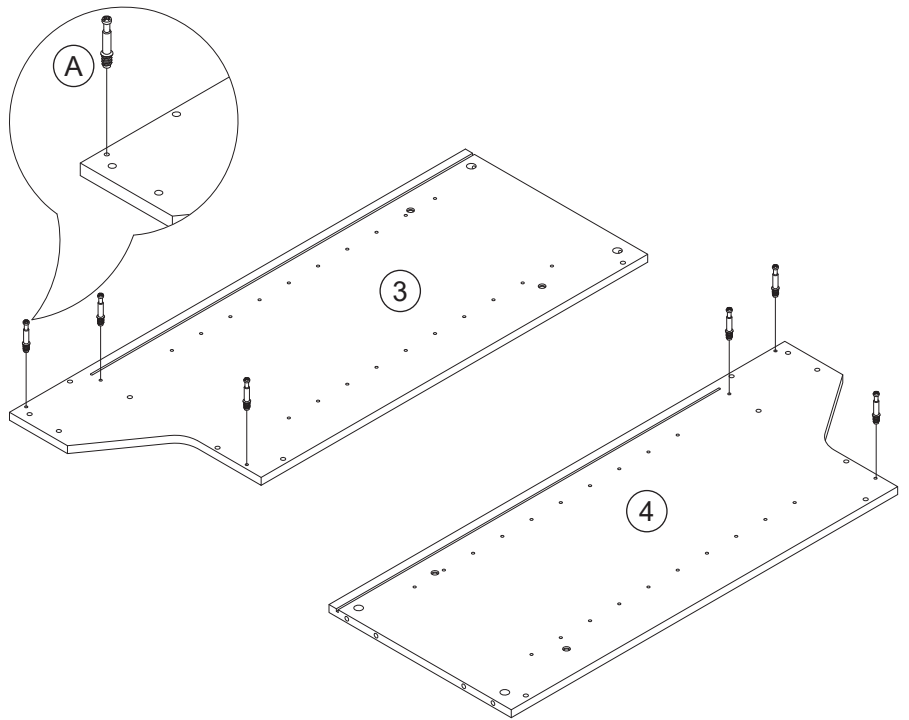
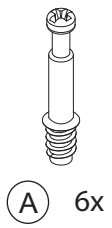
Install all hardware perpendicular to the opening.

Required tools for assembly (Not included)



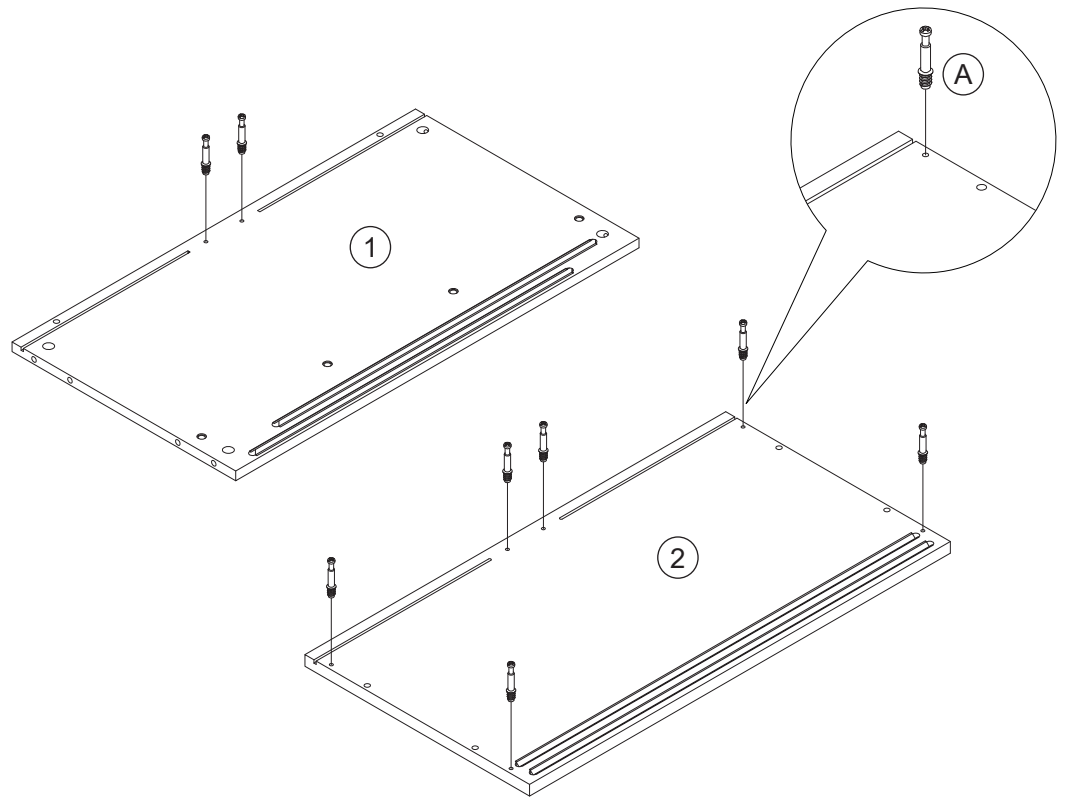
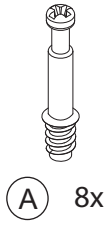
1

Attach cam bolts to the left side panel (3) and right side panel (4).



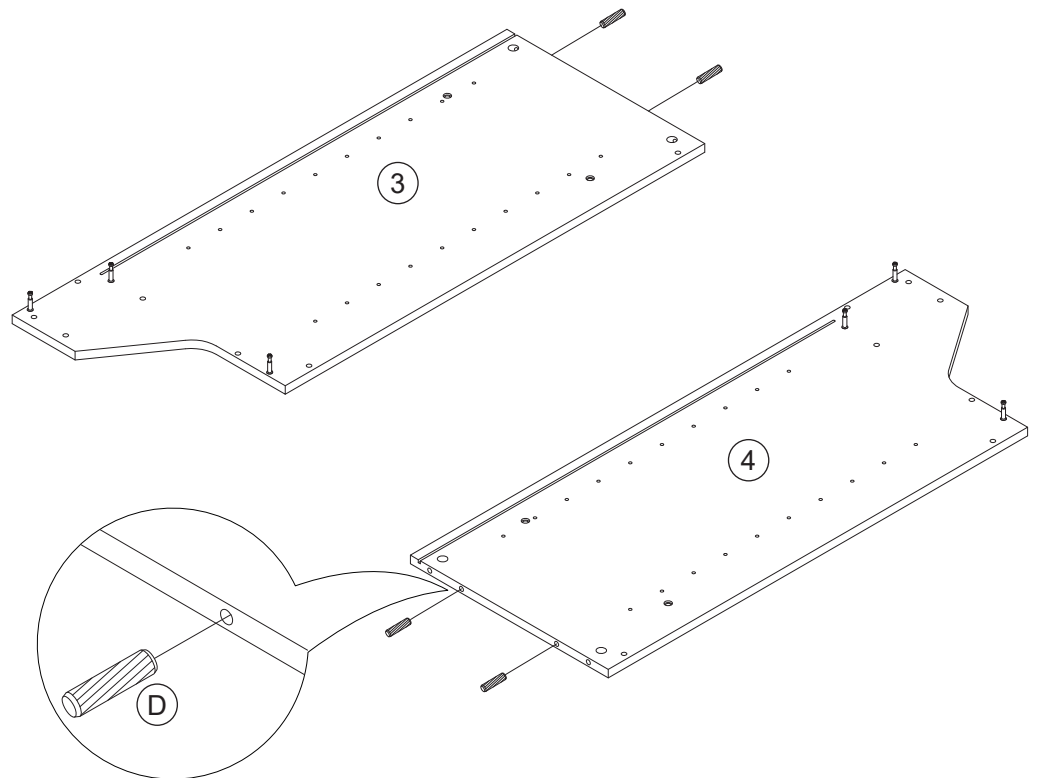
# 2

Attach cam bolts to the top panel (1) and bottom panel (2).

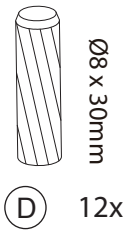


# 3

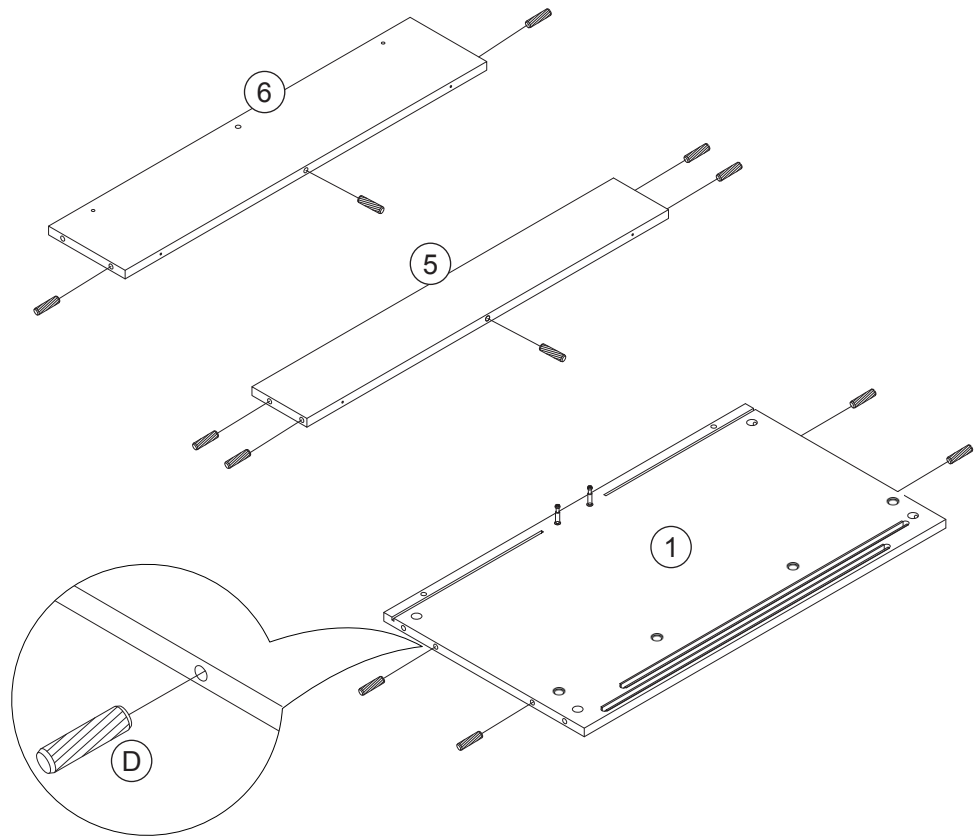
Insert wood dowels to the left side panel (3) and right side panel (4).



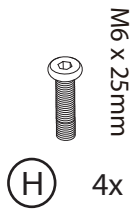
# 4



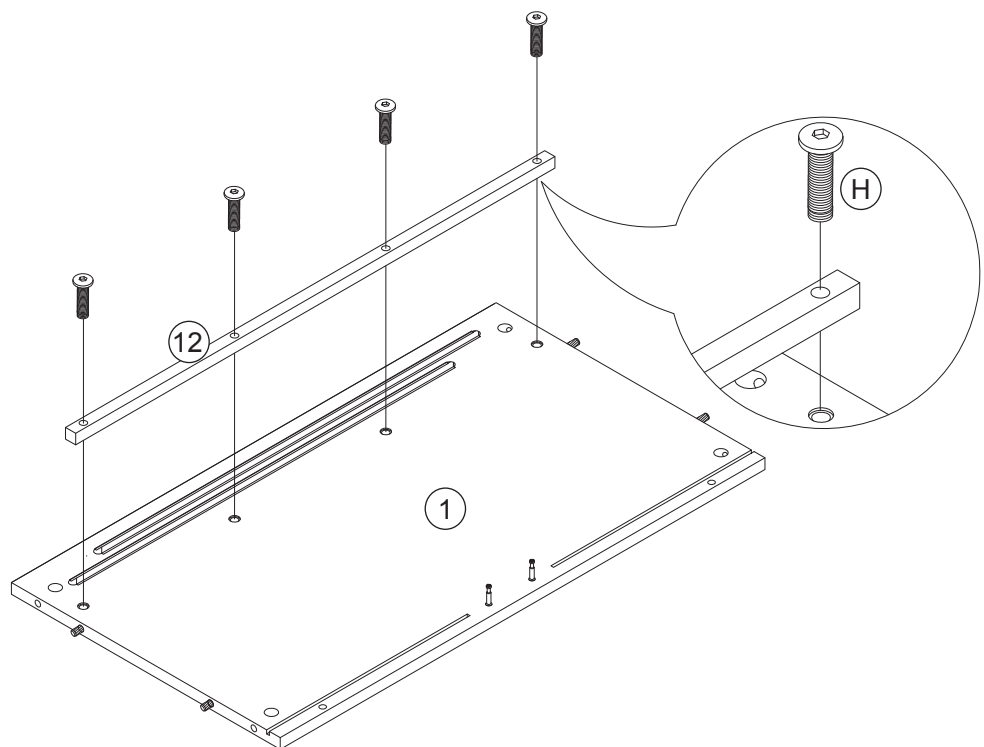
Insert wood dowels to the top panel (1) , top shelf panel (5) and upper back panel (6).



# 5



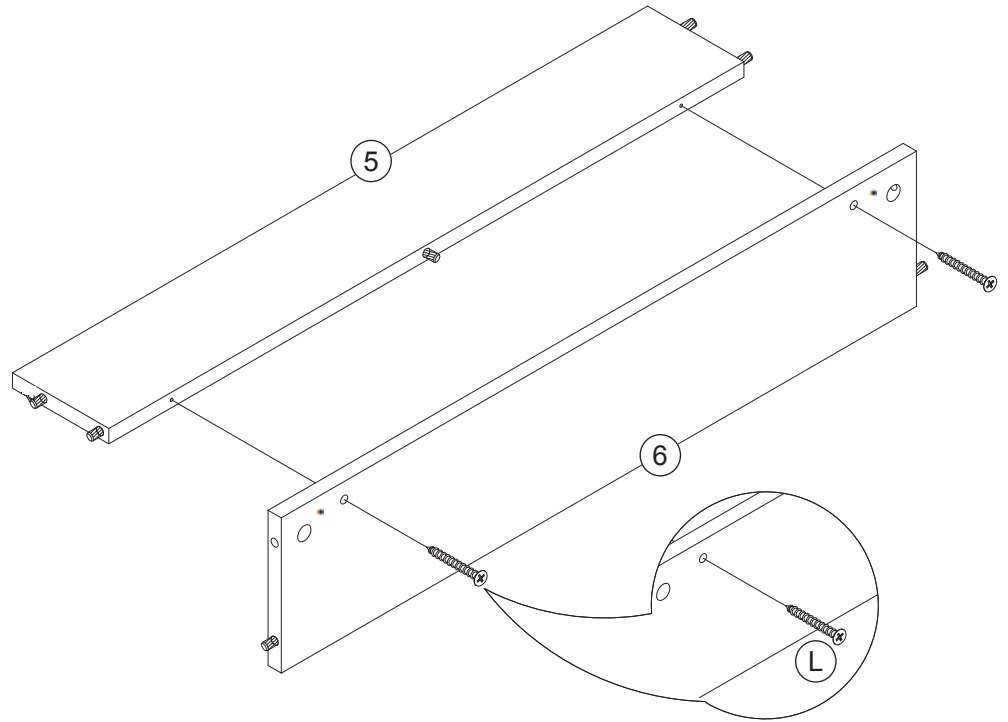
Assemble the metal support strip (12) to the top panel (1).



# 6

Assemble the upper back panel (6) to the top shelf panel (5).

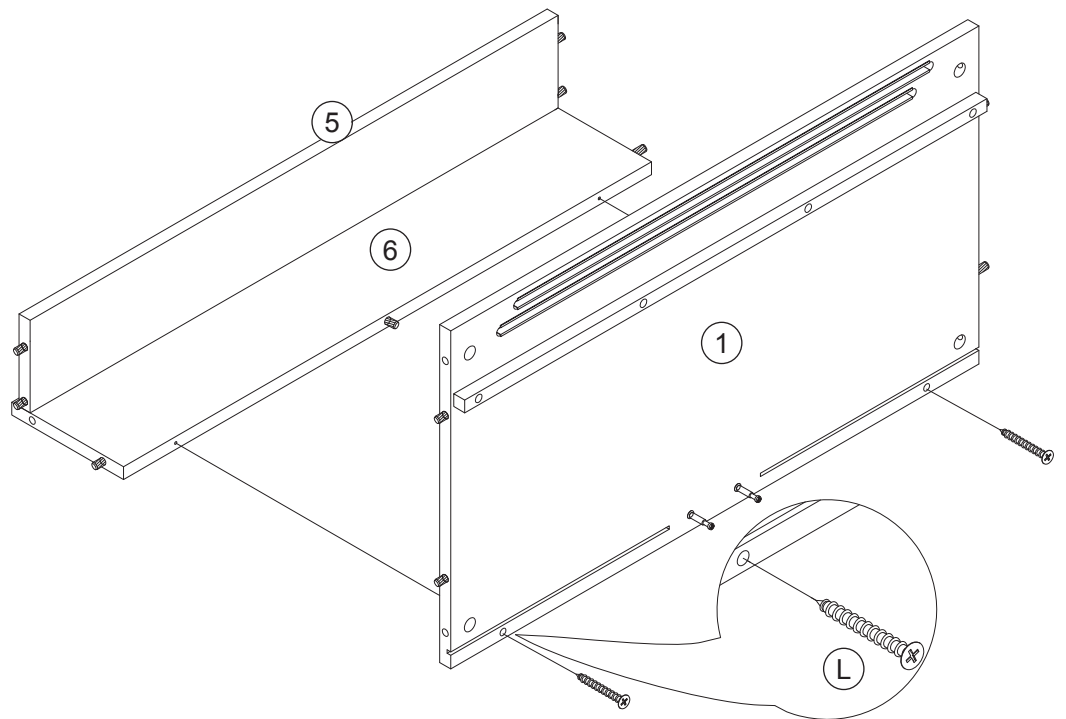
Ø4 x 30mm  
L 2x



# 7

Assemble the top panel (1) to the upper back panel (6).

Ø4 x 30mm  
L 2x



# 8

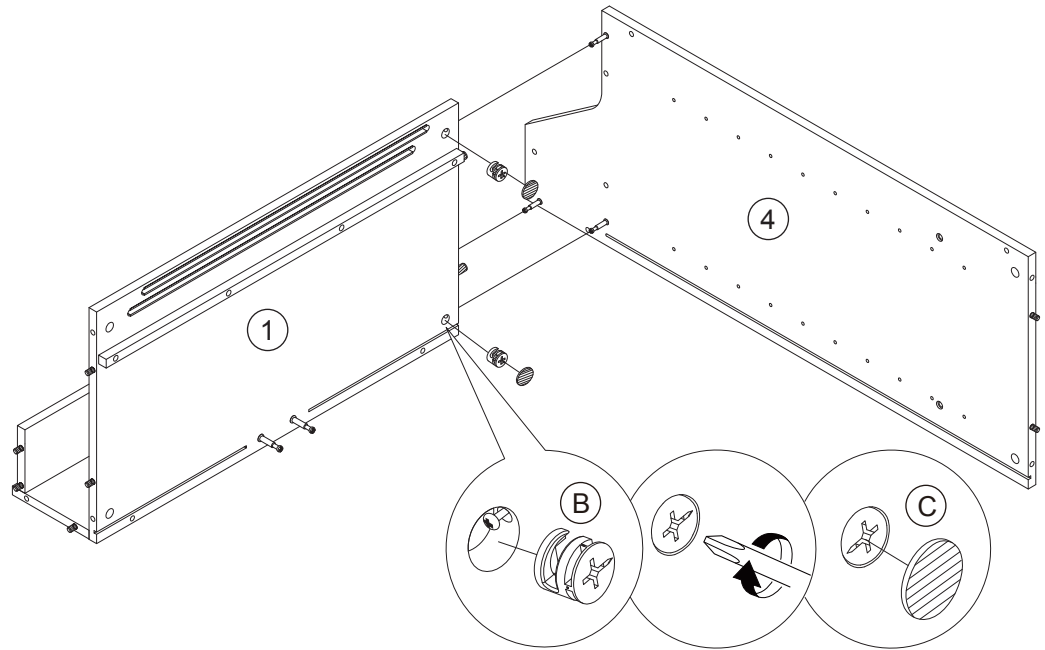
Assemble the right side panel (4) to the top panel (1).



(B) 2x



(C) 2x



# 9

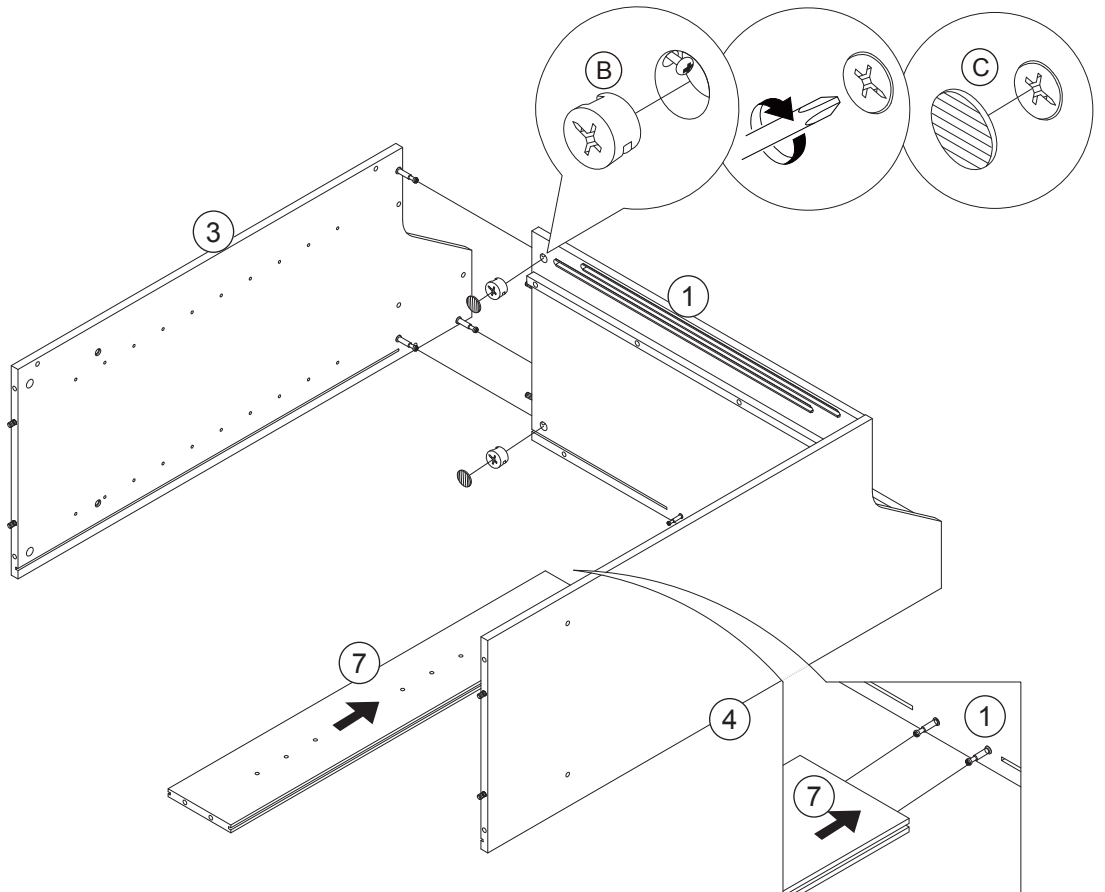
Assemble the left side panel (3) and back support panel (7) to the top panel (1).



(B) 2x

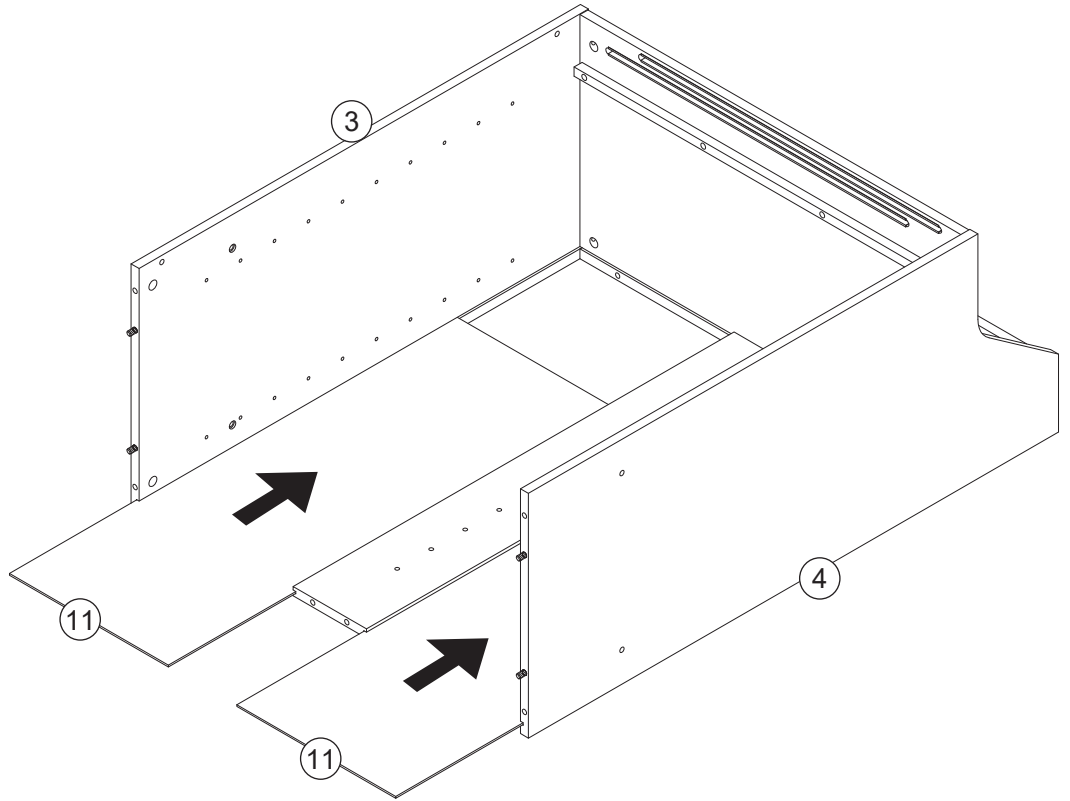


(C) 2x




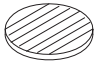
# 10

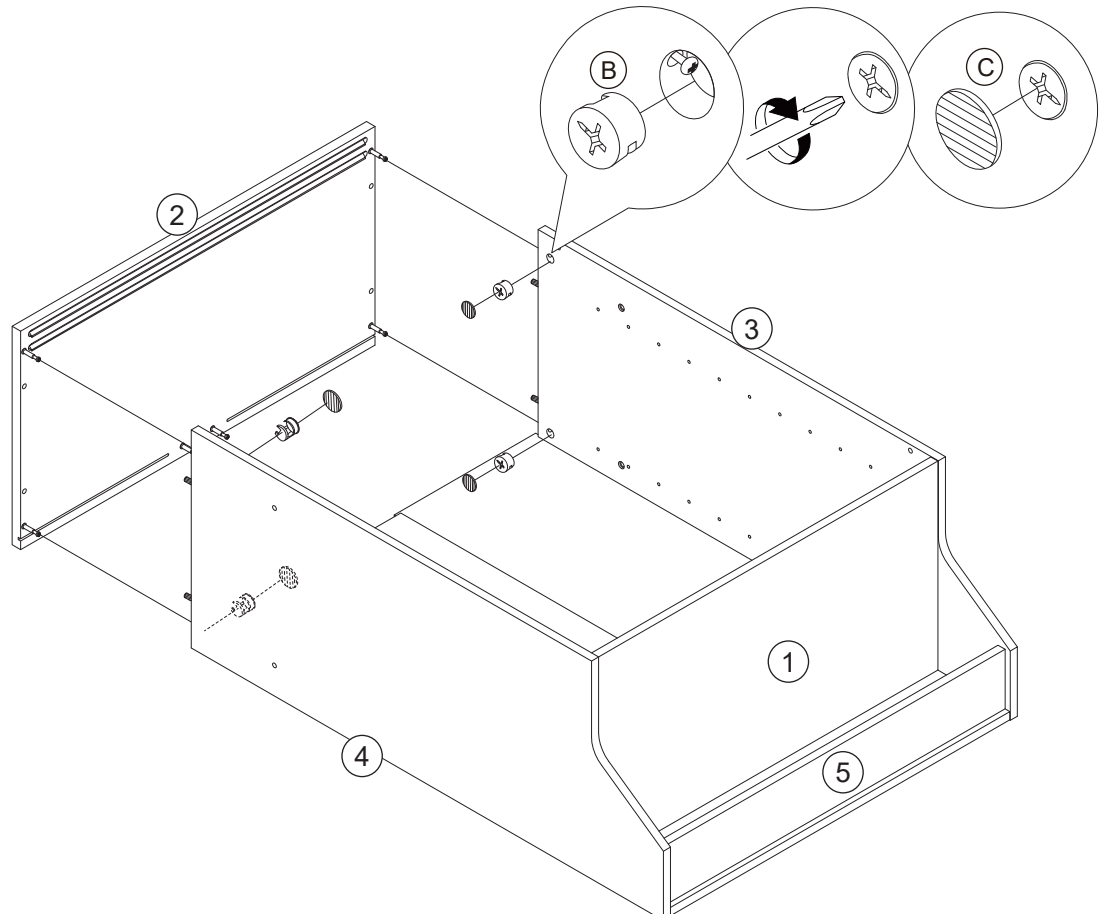
Slide in the back panels (11) to the assembly.



# 11

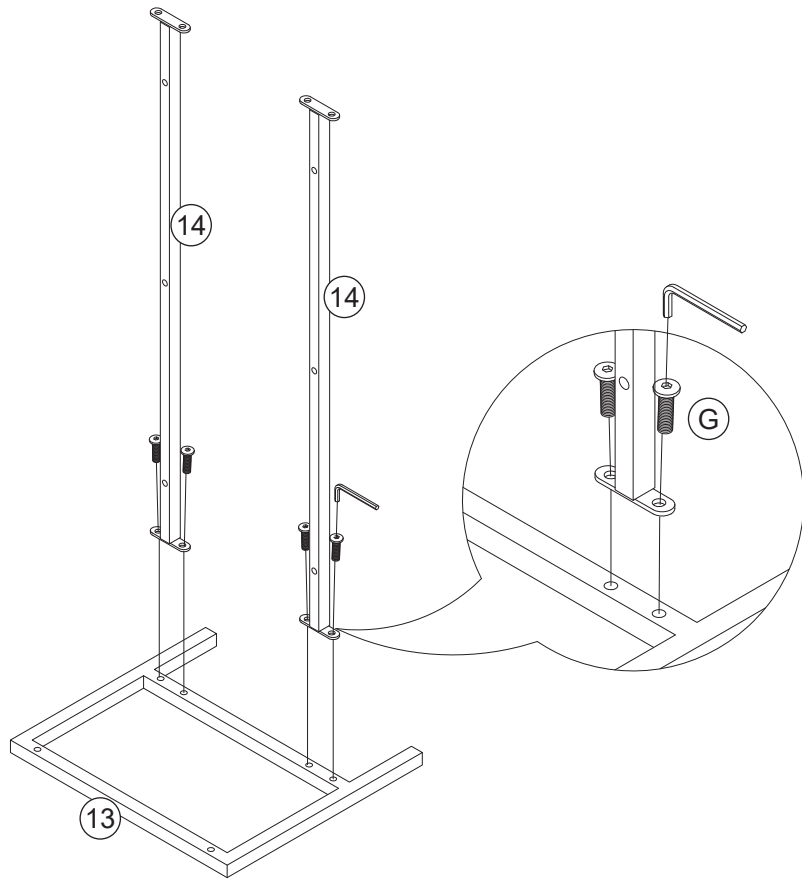
Assemble the bottom panel (2) to the assembly.

-  Ø15 x 11mm
- (B)** 4x
- 
- (C)** 4x



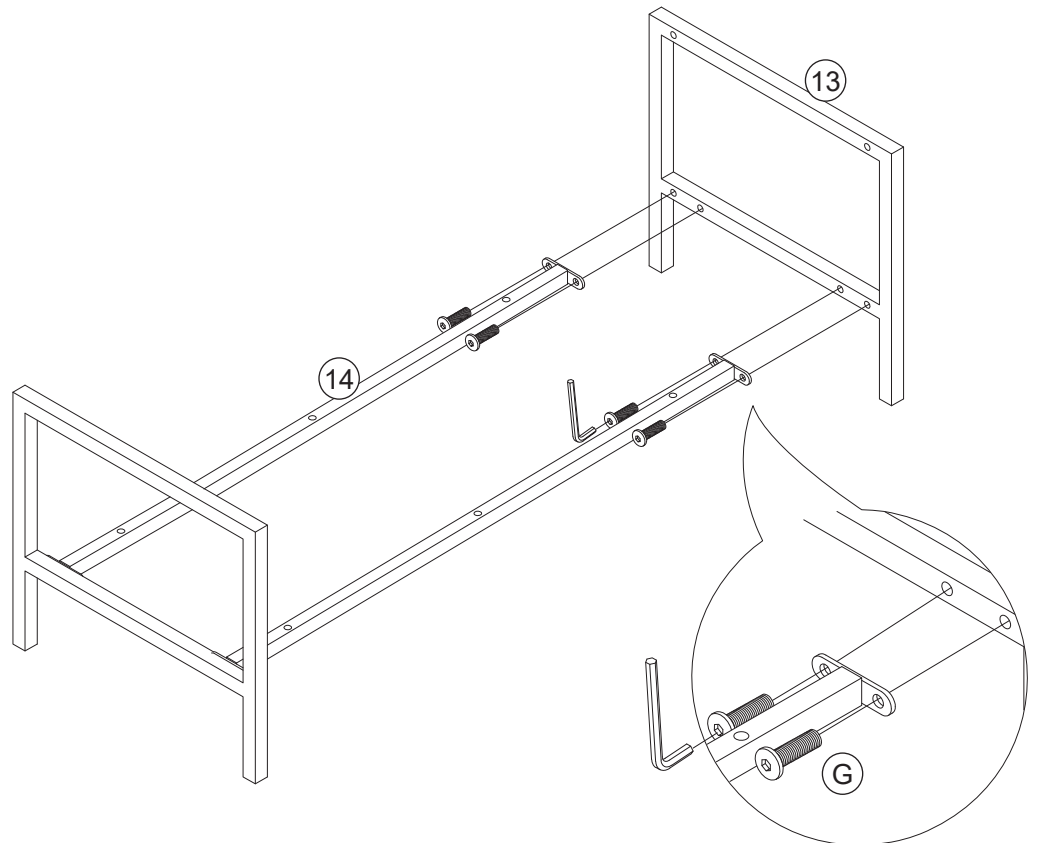
# 12

Assemble the metal connection strips (14) to the metal frame (13).



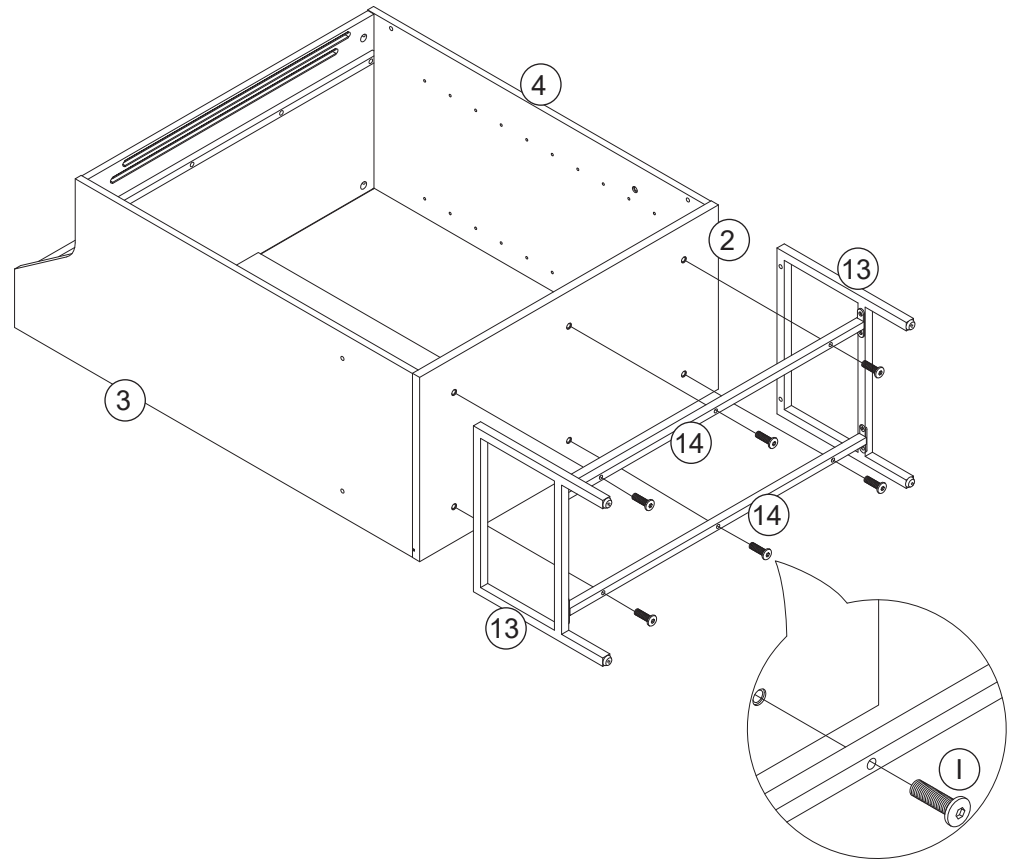
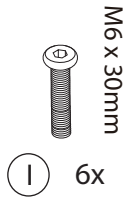
# 13

Assemble the metal frame (13) to the assembly.



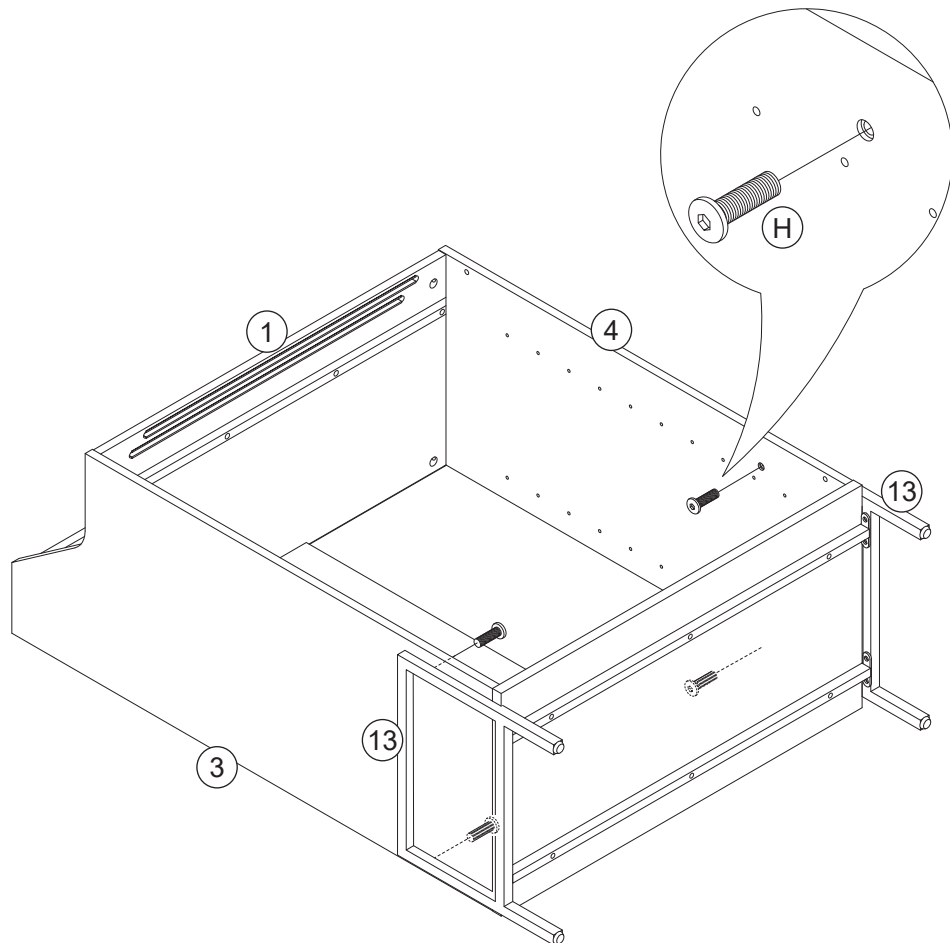
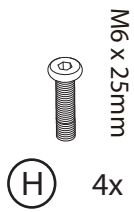
# 14

Assemble the base on underside of the bottom panel (2).




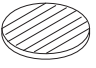
# 15

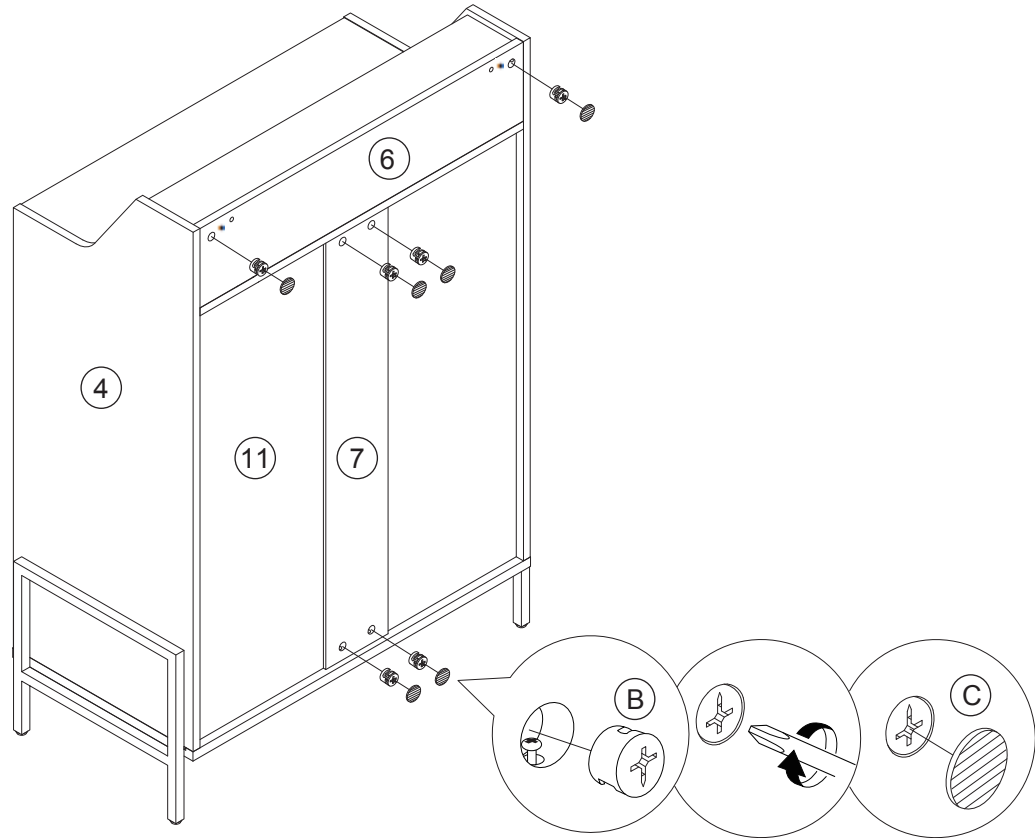
Secure the base in place.



# 16


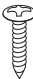
Secure the upper back panel (6) and back support panel (7) in place.

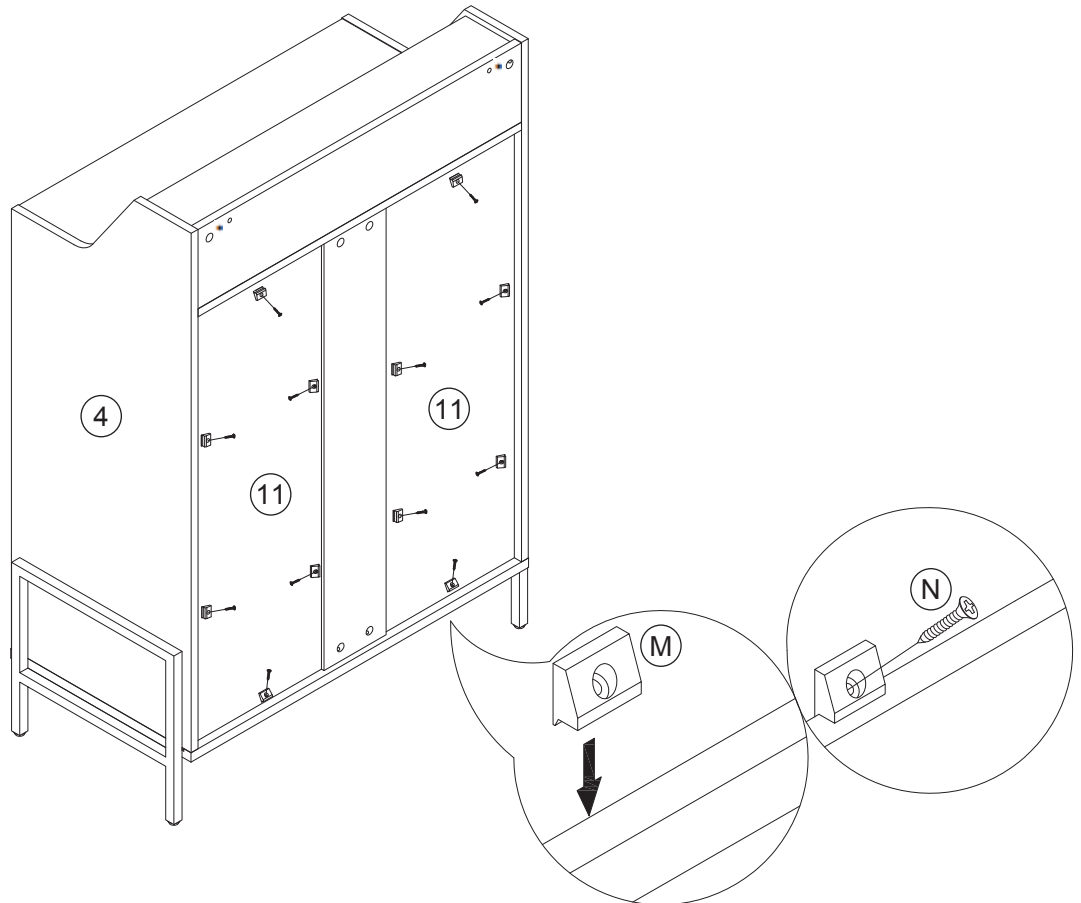
-  Ø15 x 11mm
- (B)** 6x
- 
- (C)** 6x



# 17

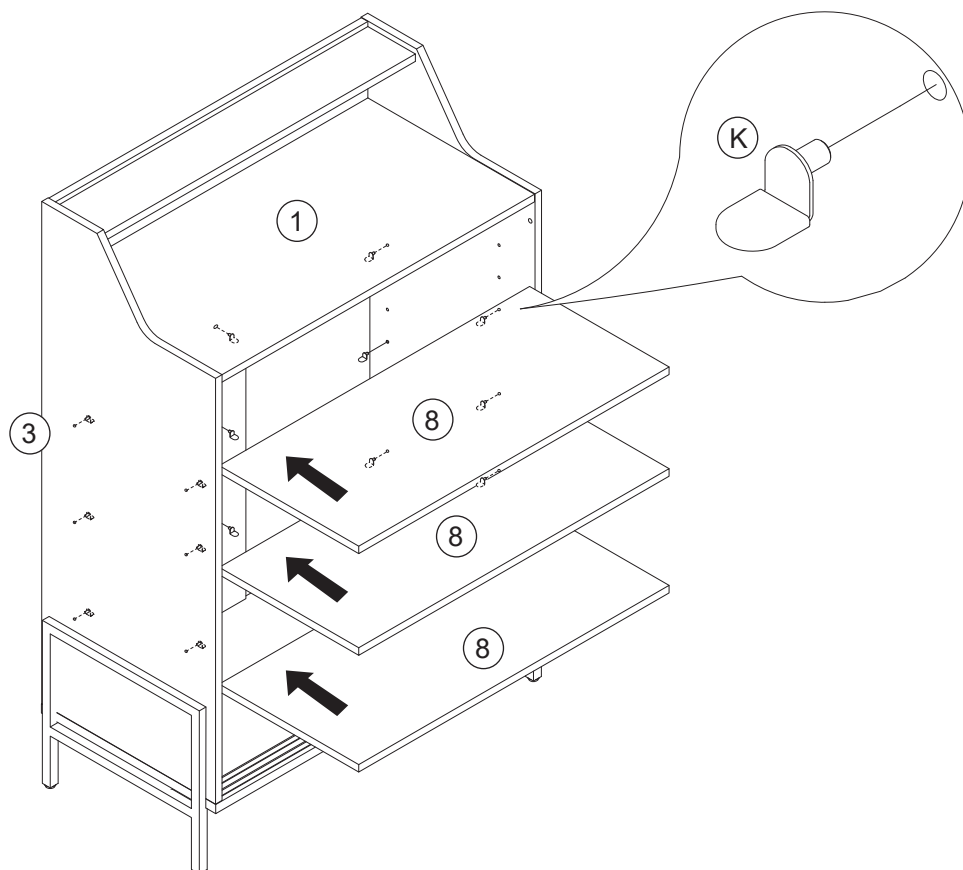
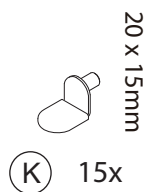
Secure the back panels (11) in place.

- 
- (M)** 12x
-  Ø3 x 17mm
- (N)** 12x



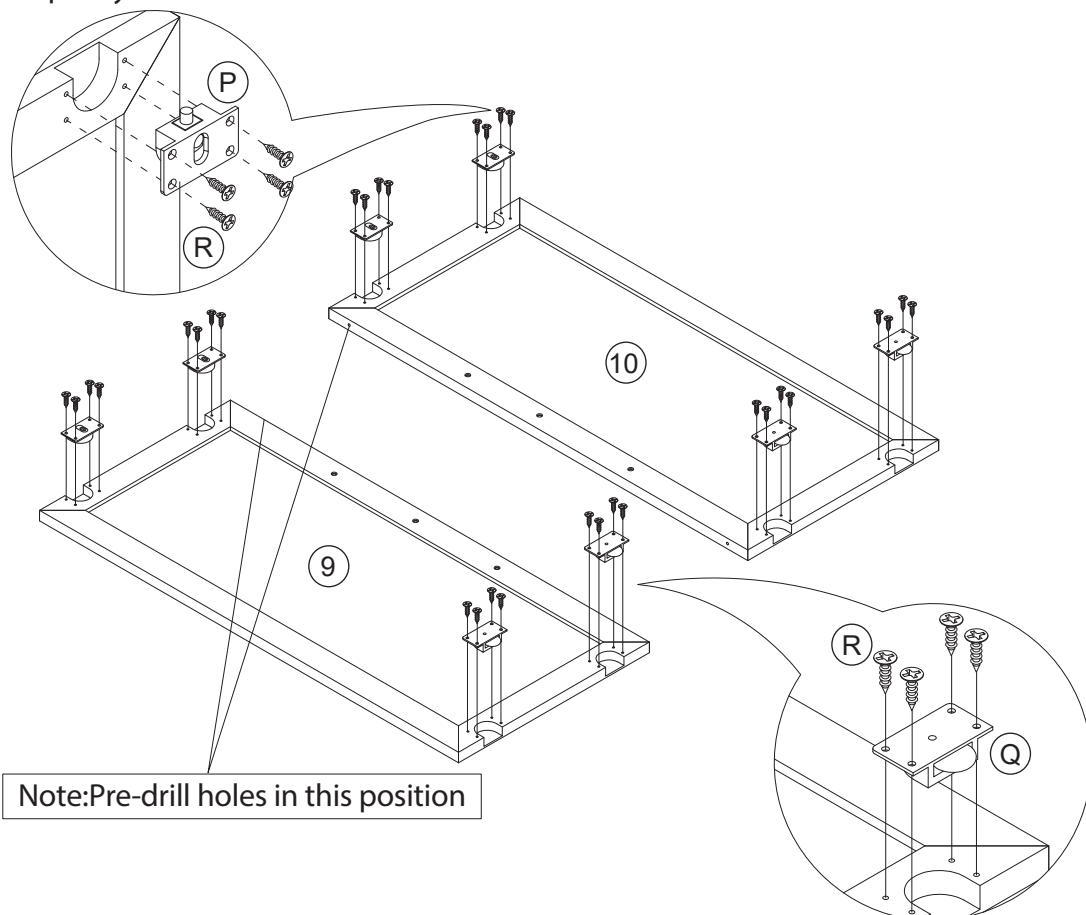
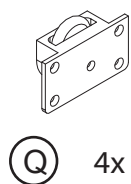
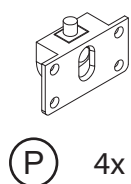
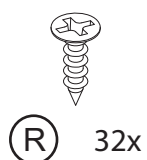
# 18

Insert shelf pegs into the stand and put on the storage shelf panels (8).



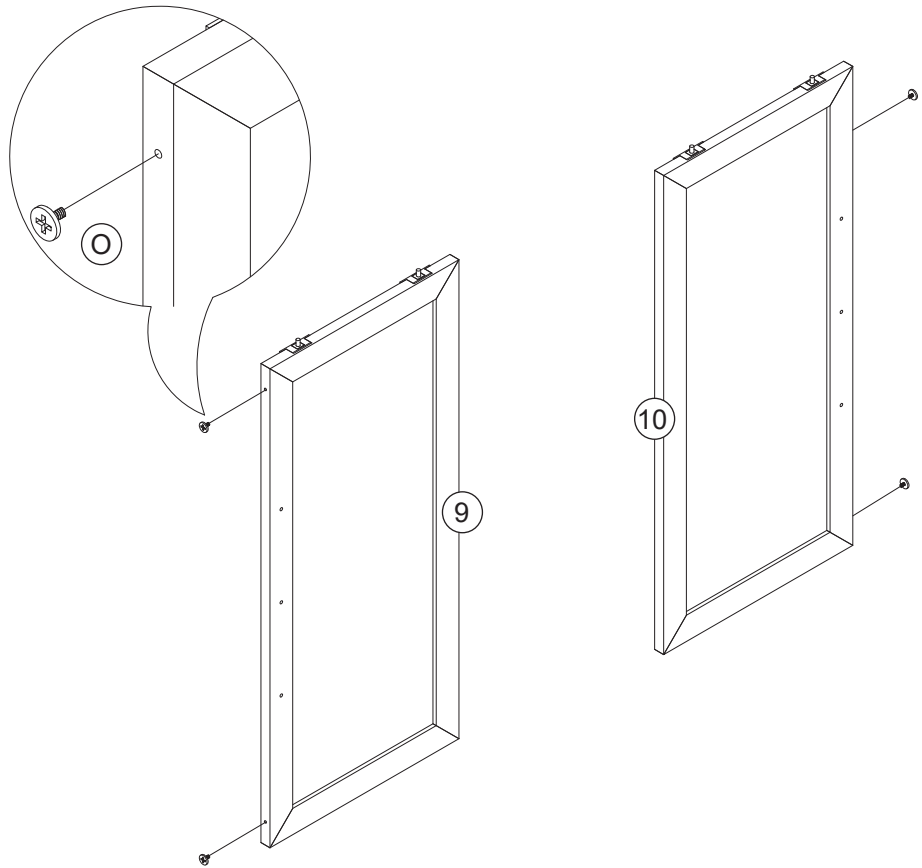
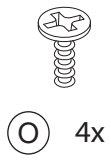
# 19

Attach upper pulleys and lower pulleys to the back of the cabinet doors (9,10).  
Tips: pay attention to the direction of the cabinet doors (9,10) before installing the pulleys.



# 20

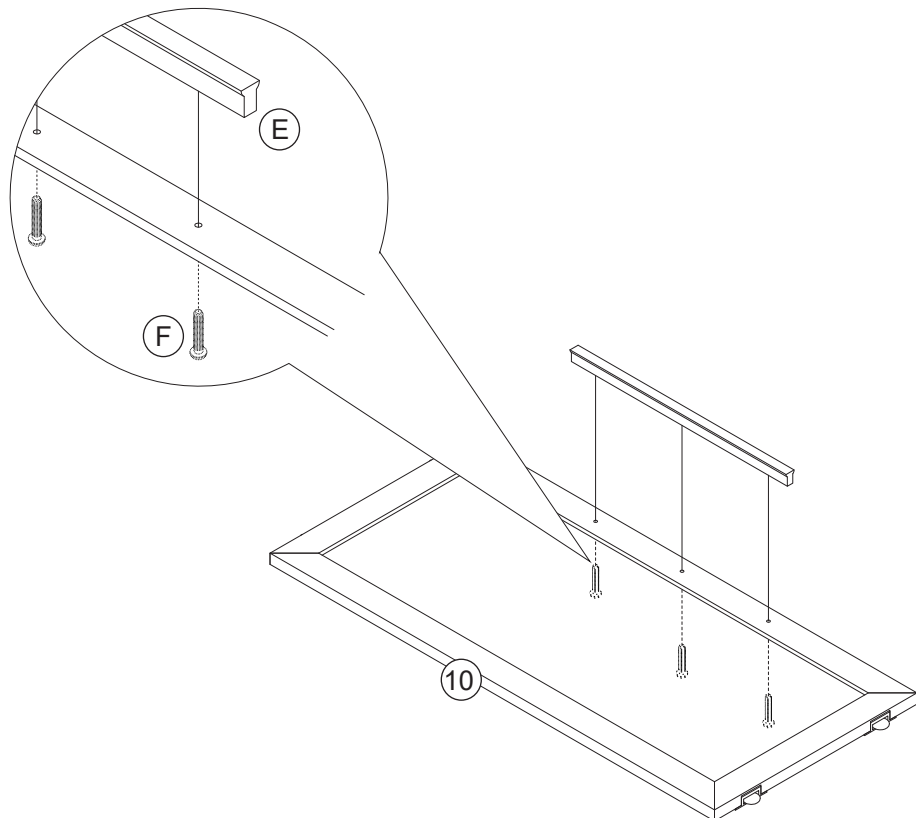
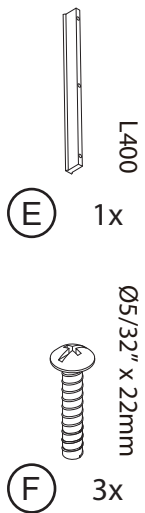
Attach magnet screws to the cabinet doors (9,10).



# 21

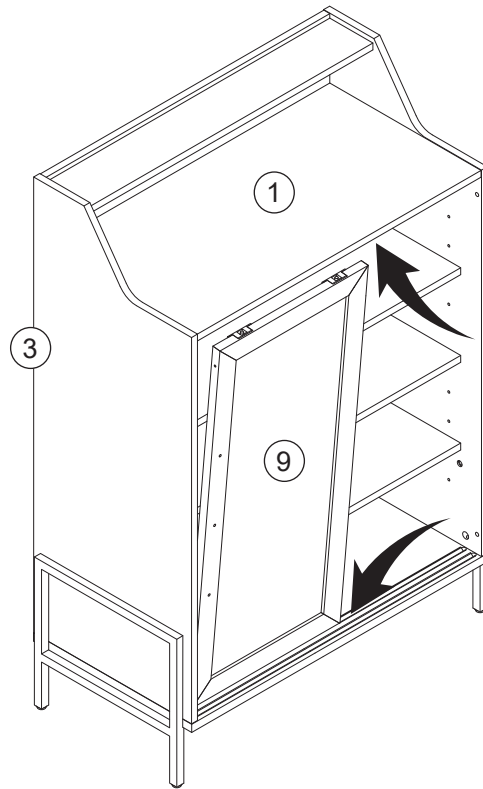
Attach handle to the right cabinet door (10).

Tips: the handle for the right cabinet door (10) is installed here, and the handle for the left cabinet door (9) will be installed in the following steps.

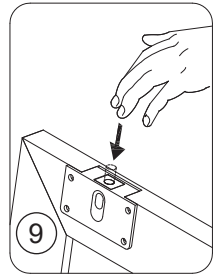


# 22

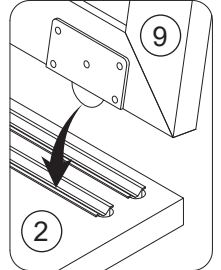
Install the left cabinet door (9) onto the track.



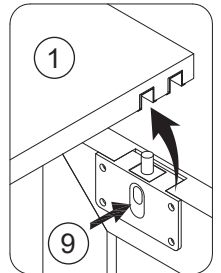
Step1:  
Press down the top pin of the upper pulley and keep it in a non ejected state.



Step2:  
Place the lower pulley of the left cabinet door (9) diagonally in the groove inside the bottom panel (2).



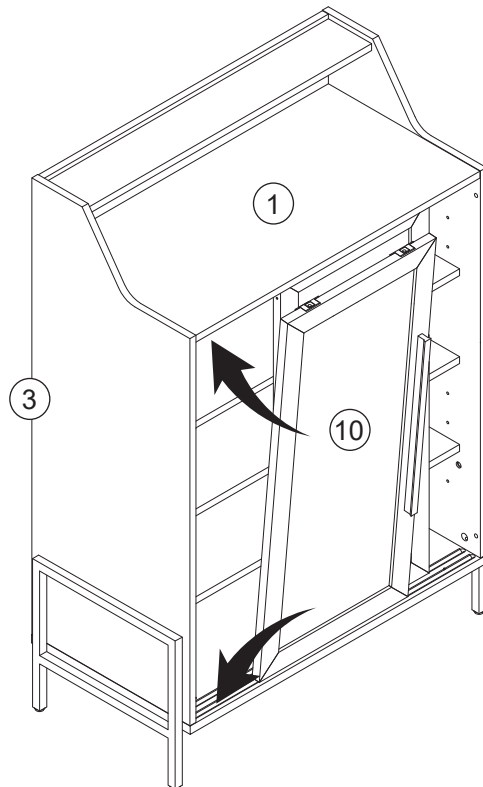
Step3:  
Align the left cabinet door (9) to the horizontal position, press the upper pulley buttons to eject the ejector pins and insert them into the slot inside the top panel (1).



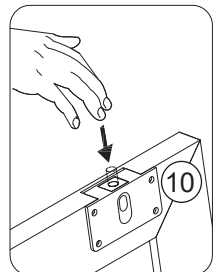
# 23

Install the right cabinet door (10) onto the track.

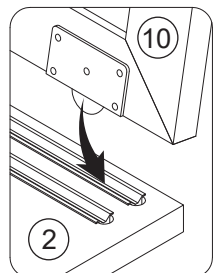
Tips: push the left cabinet door (9) to the right side before install the right cabinet door (10).



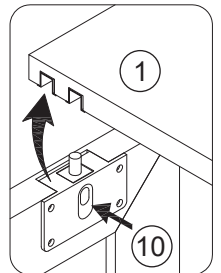
Step1:  
Press down the top pin of the upper pulley and keep it in a non ejected state.



Step2:  
Place the lower pulley of the right cabinet door (10) diagonally in the groove outside the bottom panel (2).



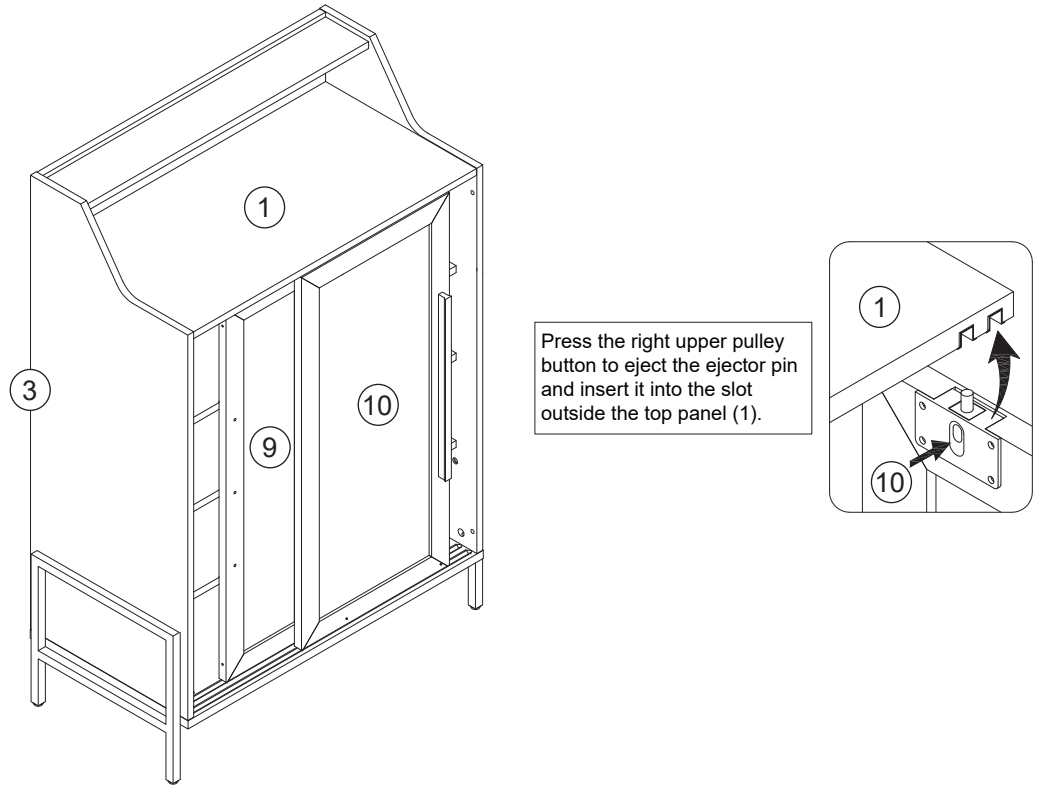
Step3:  
Align the right cabinet door (10) to the horizontal position, press the left upper pulley button to eject the ejector pin and insert it into the slot outside the top panel (1).



Tips: the right upper pulley on the right cabinet door (10) cannot be installed at this step because the left cabinet door (9) is blocking it.

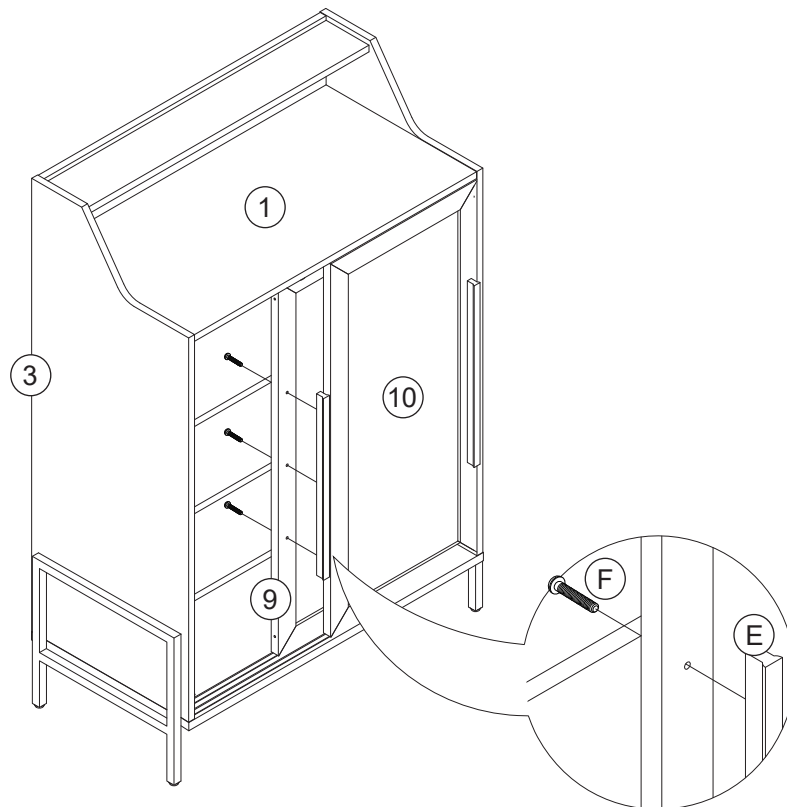
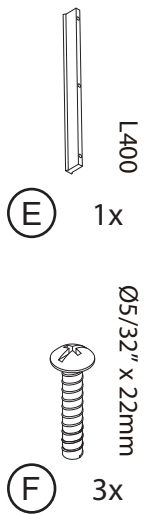
# 24

Tips: push the left cabinet door (9) to the left side to press the right upper pulley on the right cabinet door (10).



# 25

Attach handle to the left cabinet door (9).



# 26

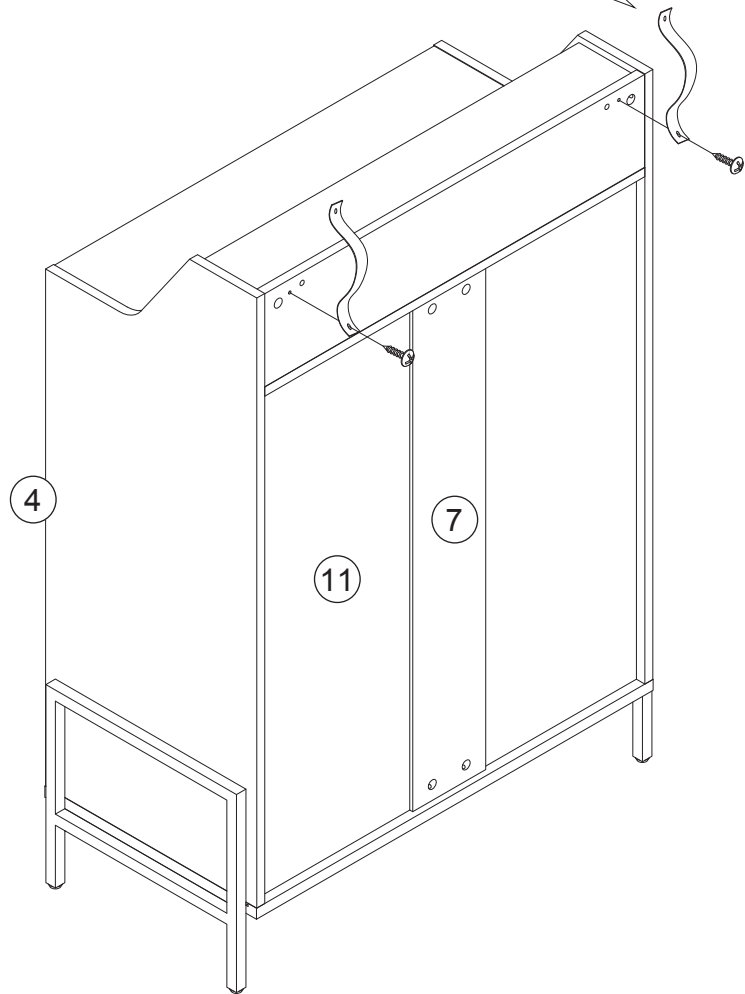
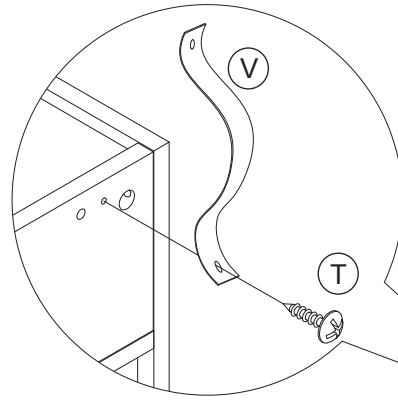
Attach anti-tipping straps to the back of the stand.



(T) 2x

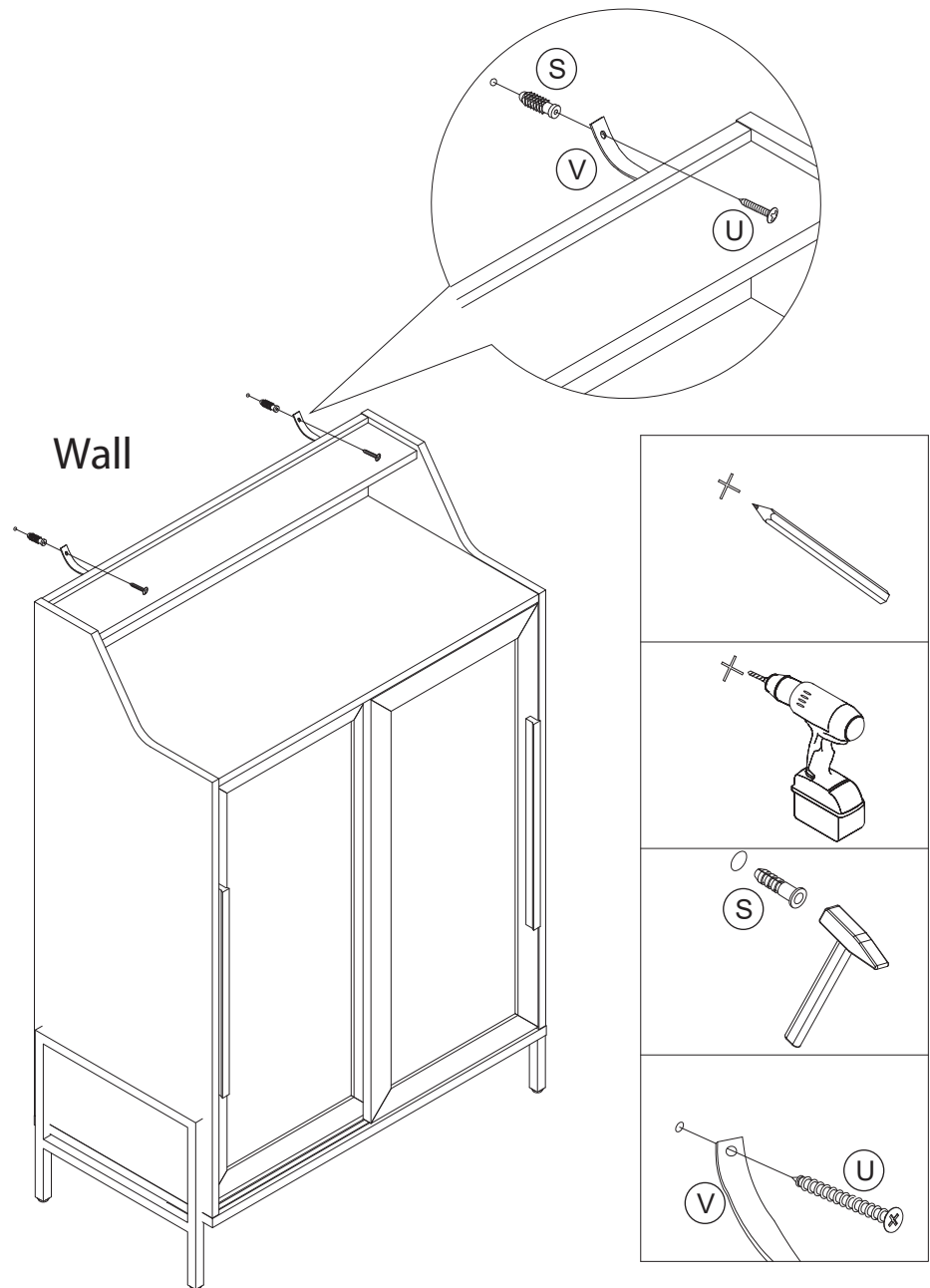
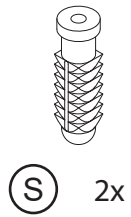
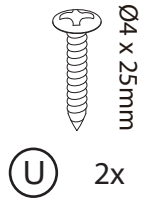


(V) 2x



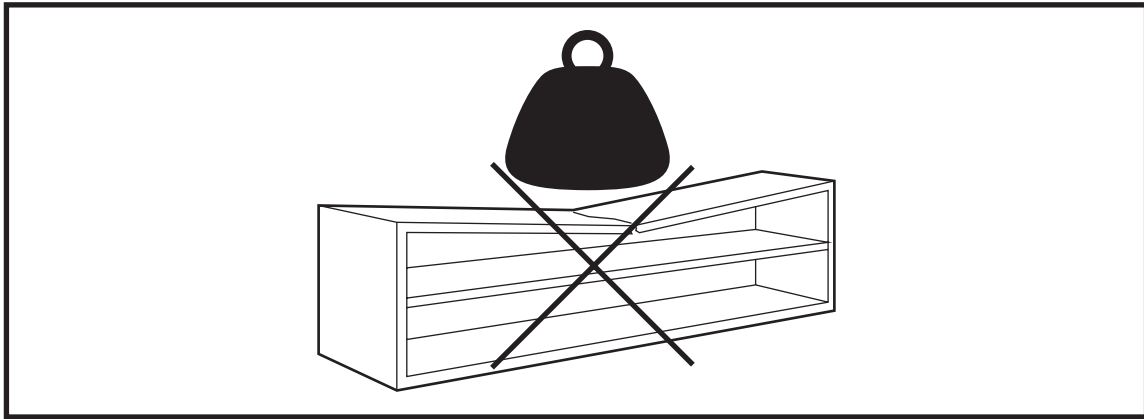
# 27

Affix the stand to a wall.



Furniture must permanently fixed to the wall stud with included anti-tipping device to prevent the furniture from tipping over.

- Mark the drill position on the wall with a pencil.
- Drill a small hole on the marked position.
- Insert a wall anchor into the drilled hole.
- Fixed the anti-tipping strap to the wall with provided screws.

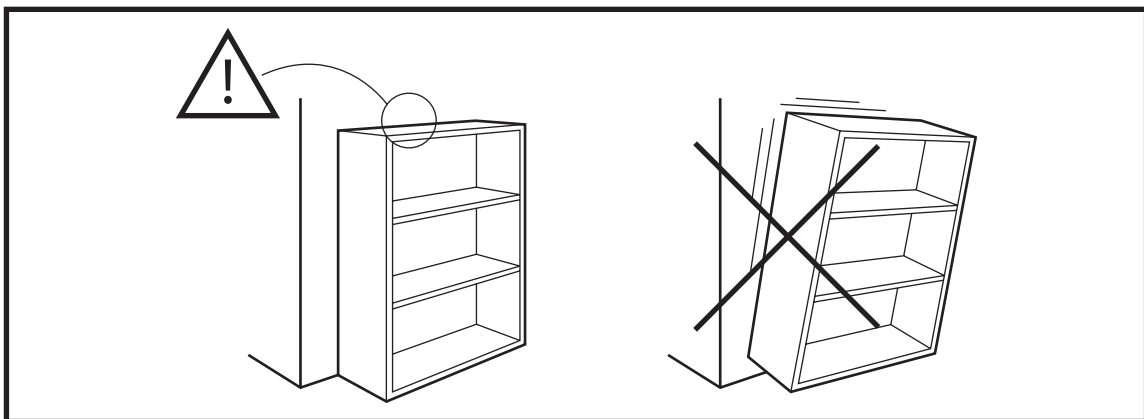


## Warning

Only place items on top of the product if they meet the recommended size and weight limits.

Climbing on, stepping on, or placing overweighted objects on the product may cause property damage and/or injuries.

Items placed onto this product must be resting on a support surface without hanging over the edges.



## Warning

Serious or fatal crushing injuries may occur if the furniture tip-over. Furniture must permanently affixed to the wall with included anti-tipping device in order to prevent the furniture from tipping over.

Different wall materials requires different types of wall anchors or screws. Use a suitable wall anchors or screws for your specific wall in order to secure the stability and load bearing capacity of the furniture. If you are uncertain about which type of device to use, please contact us or your local hardware store.

## FURNITURE CARE AND MAINTENANCE

### Medium - Density Fiberboard

Thank you for your purchase. We want your item to last as long as possible. To ensure the product gives you years of longevity, please follow the recommendations in this care and maintenance guide.



#### MAINTENANCE

- Tighten all bolts and screws again within the first 2 weeks of assembly.
- Check the tightness of all bolts every 2 months and tighten them if necessary.



#### CLEANING

- Clean the surface of the MDF (medium - density fiberboard) with a lightly dampened cloth.
- A small amount of mild soap can be used if necessary.
- Dry the surface immediately after cleaning.

- ⚠ DO NOT use bleach or alcohol to clean the surface.
- ⚠ DO NOT apply wood treatment on parts made with MDF.

MDF will swell and distort when exposed to water damage. Make sure to dry the furniture immediately after cleaning.

### ⚠ WARNING

The manufacturer and seller are not responsible for any and all liability relating to personal injury, property damage or losses, whether direct, indirect, or incidental, resulting from the incorrect attachment, improper use, inadequate maintenance, unapproved modification or neglect of this product.

# WARRANTY

Our products come with a 1-year warranty from the date of delivery. **Register your product on our website to enjoy our limited lifetime warranty!**

## AFTER-SALE SERVICE



Encounter any difficulties or missing parts?



Contact us



We will send you replacement.



Hassle free!  
No need to worry about repackaging and sending your item back.