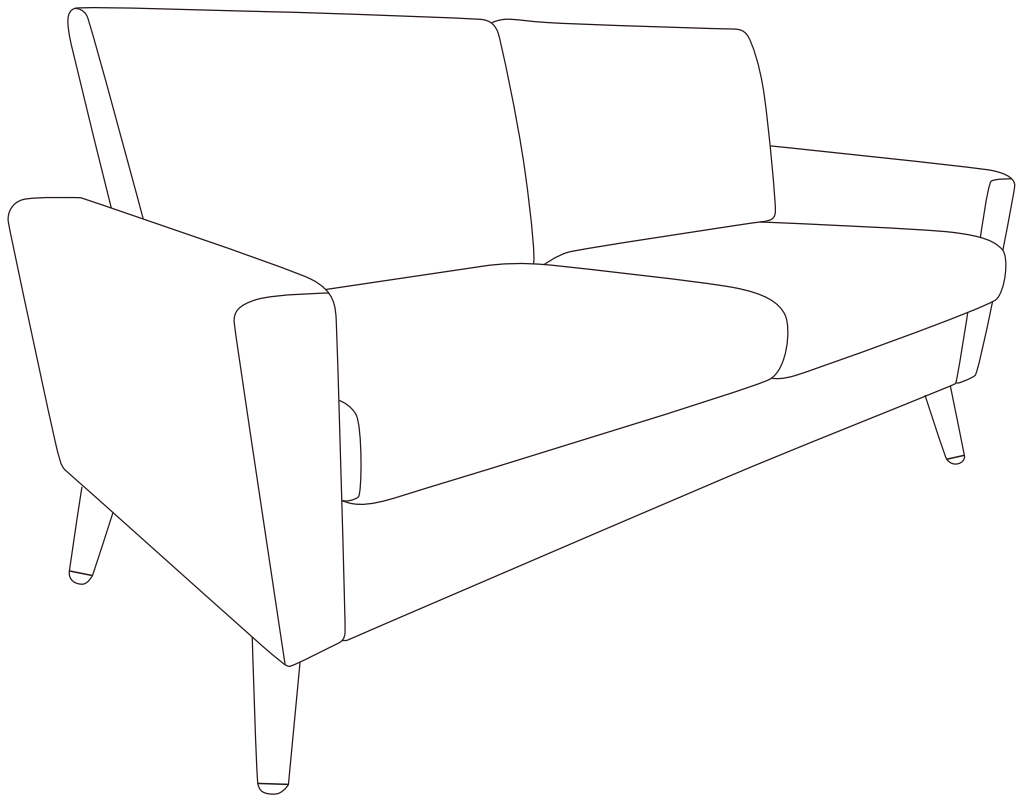


ASSEMBLY INSTRUCTION

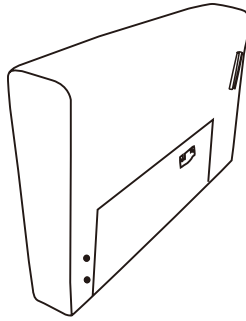
Item No. : S13



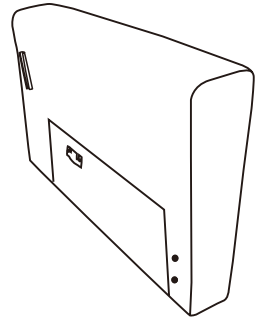
Components List



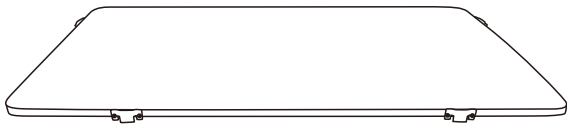
Ix1



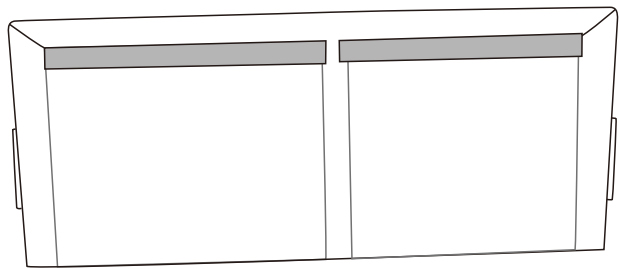
J-Lx1



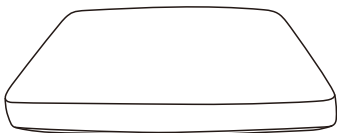
J-Rx1



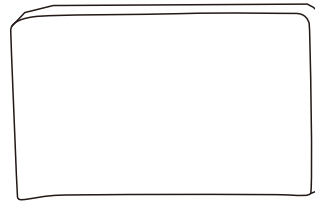
Kx1



Lx1




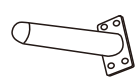


Mx2

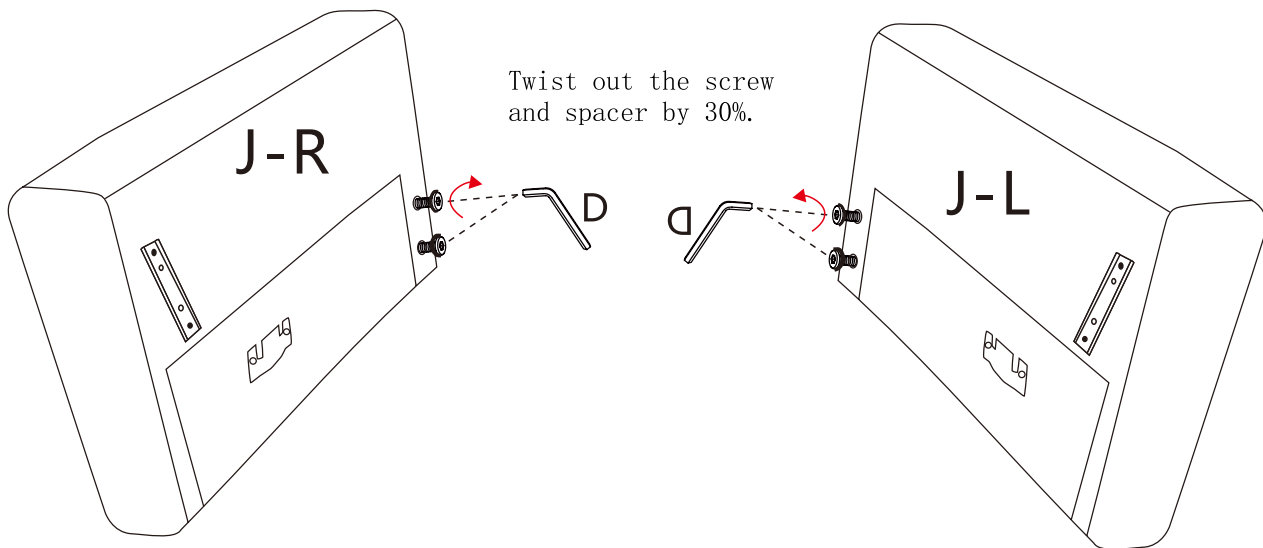


Nx2

Hardware List

<p>A M8x20mm</p>  <p>x16</p>	<p>D</p>  <p>x1</p>	<p>H</p>  <p>x1</p>	<p>O</p>  <p>x4</p>
--	---	---	---

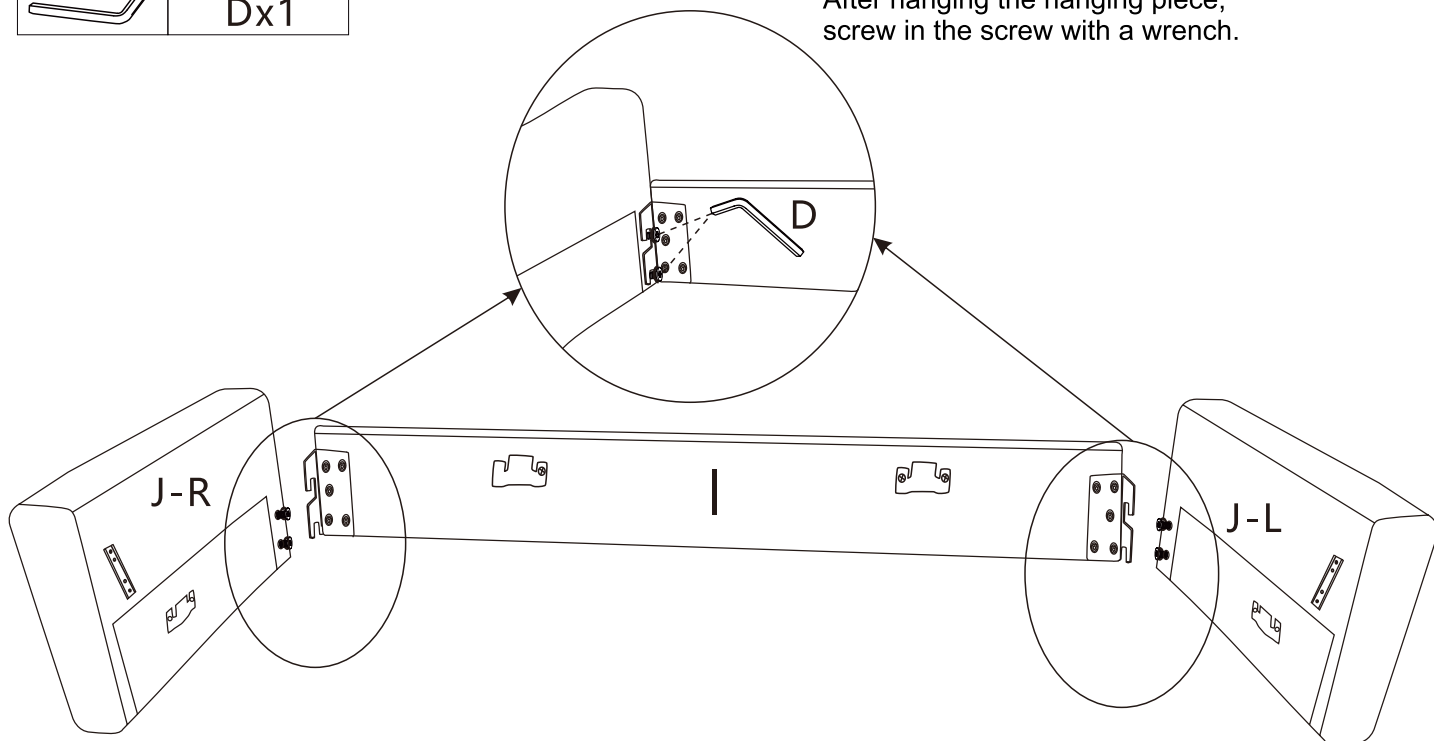
STEP 1






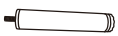
STEP 2

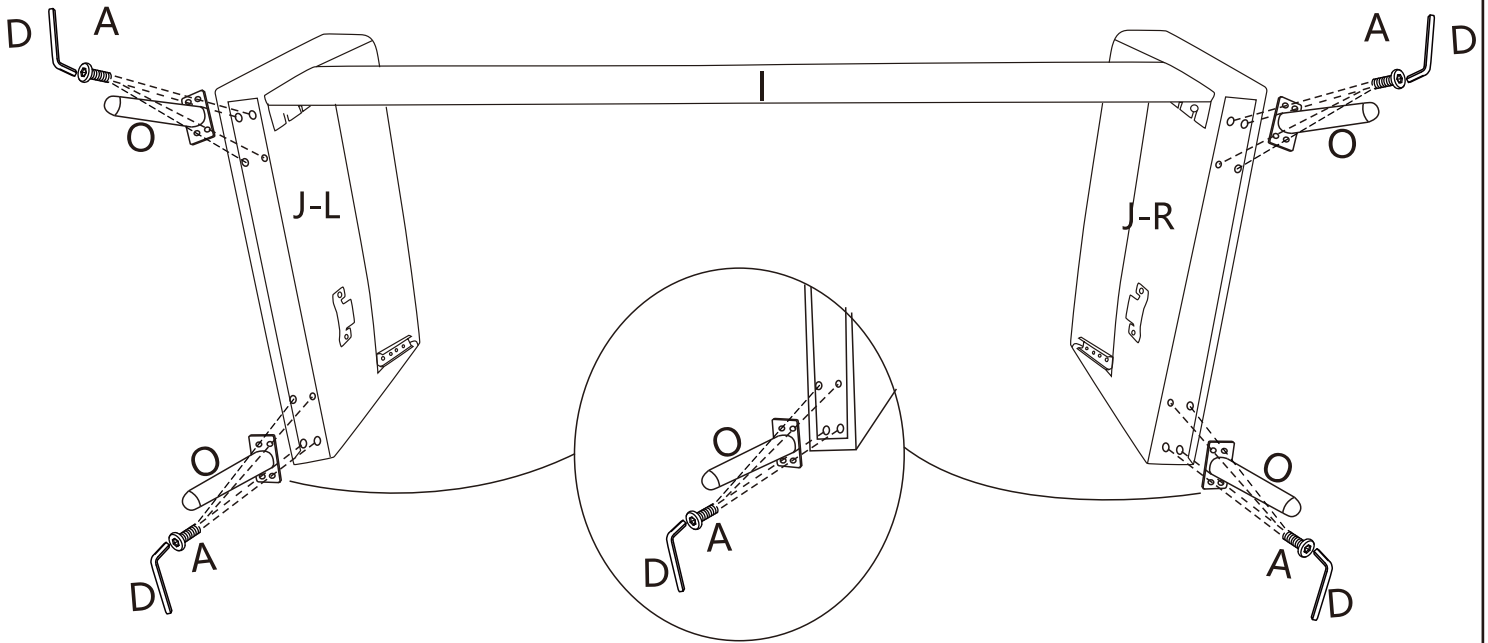
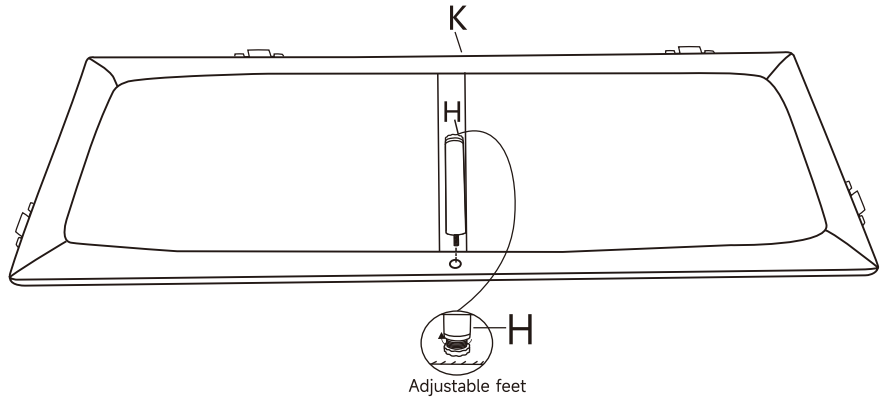


After hanging the hanging piece, screw in the screw with a wrench.

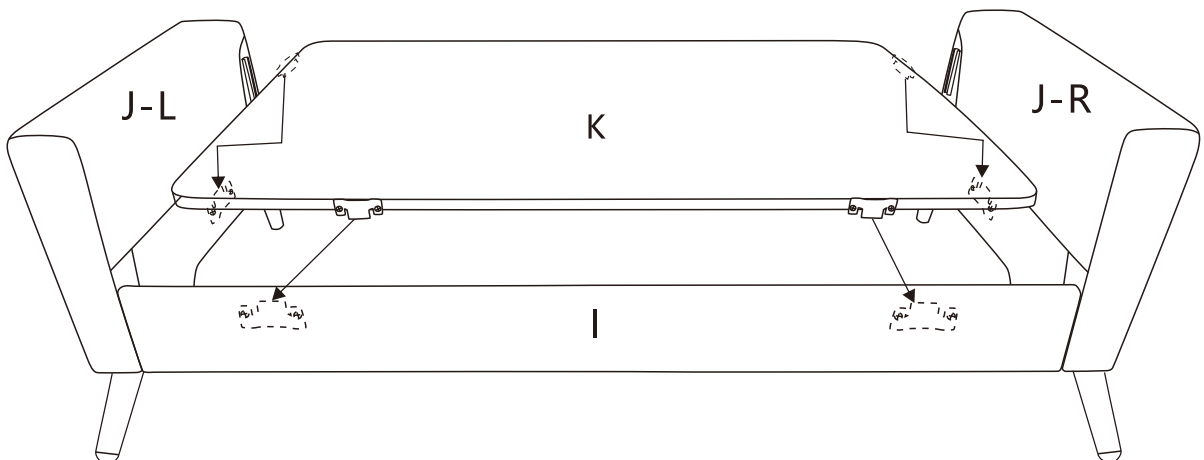
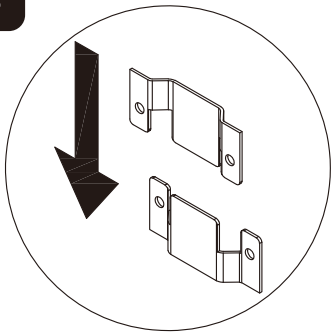


STEP 3

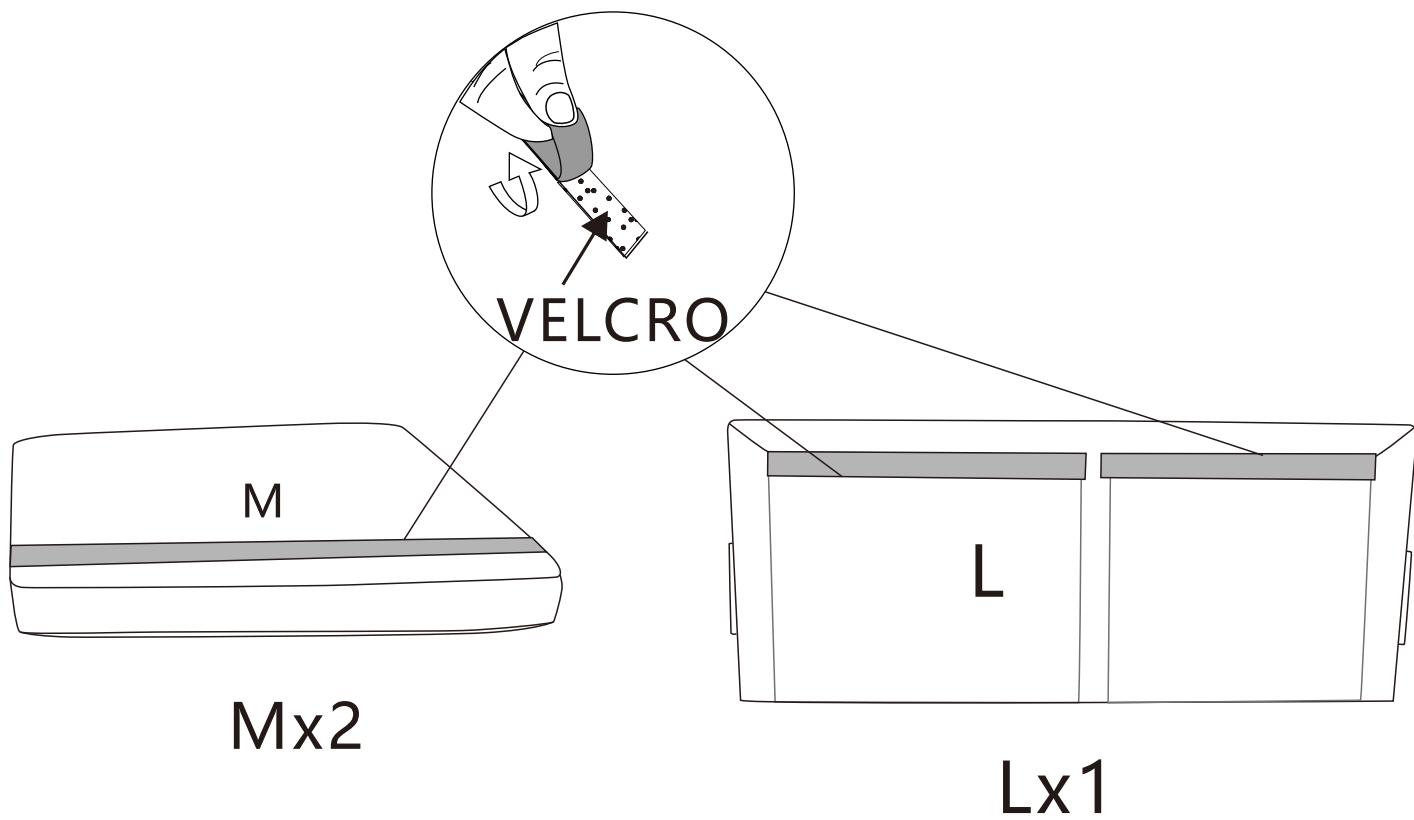
	Ax16
	Dx1
	Ox4
	Hx1



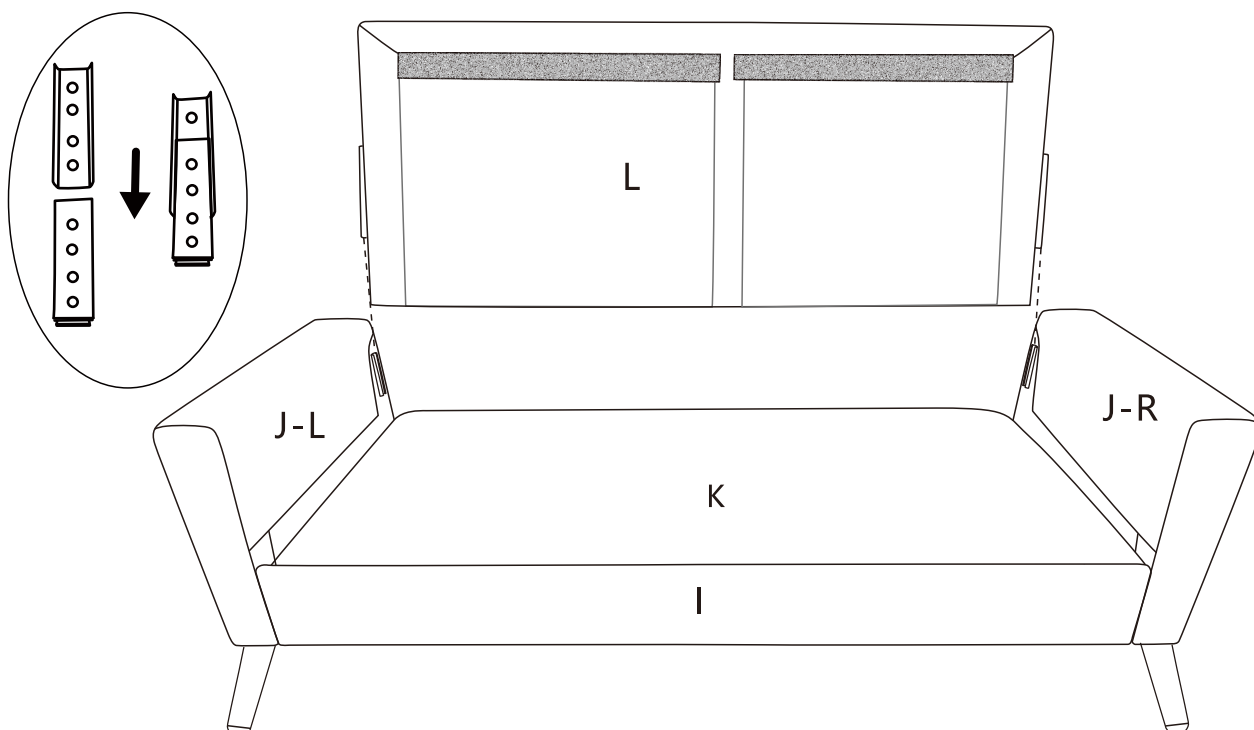
STEP 4



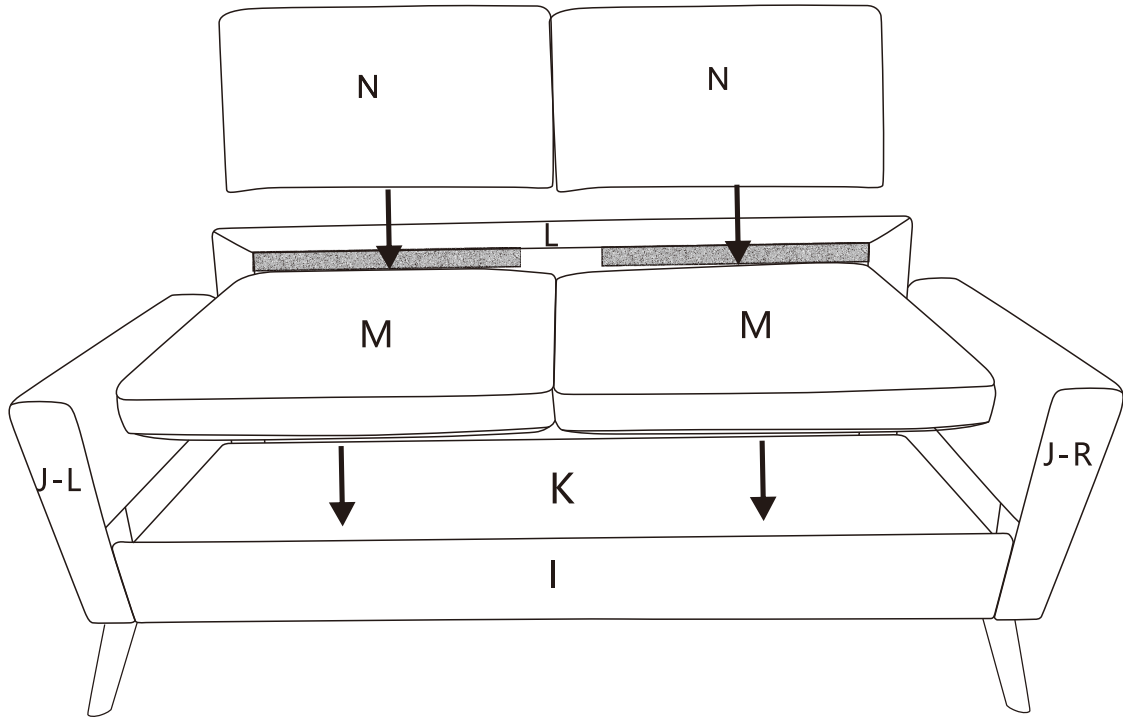
STEP 5



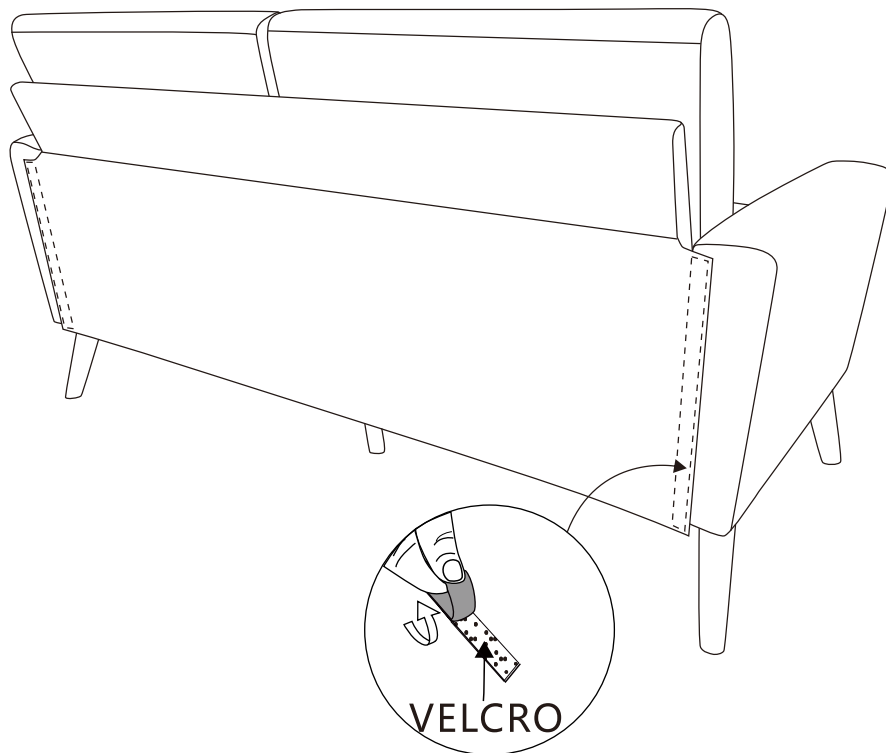
STEP 6



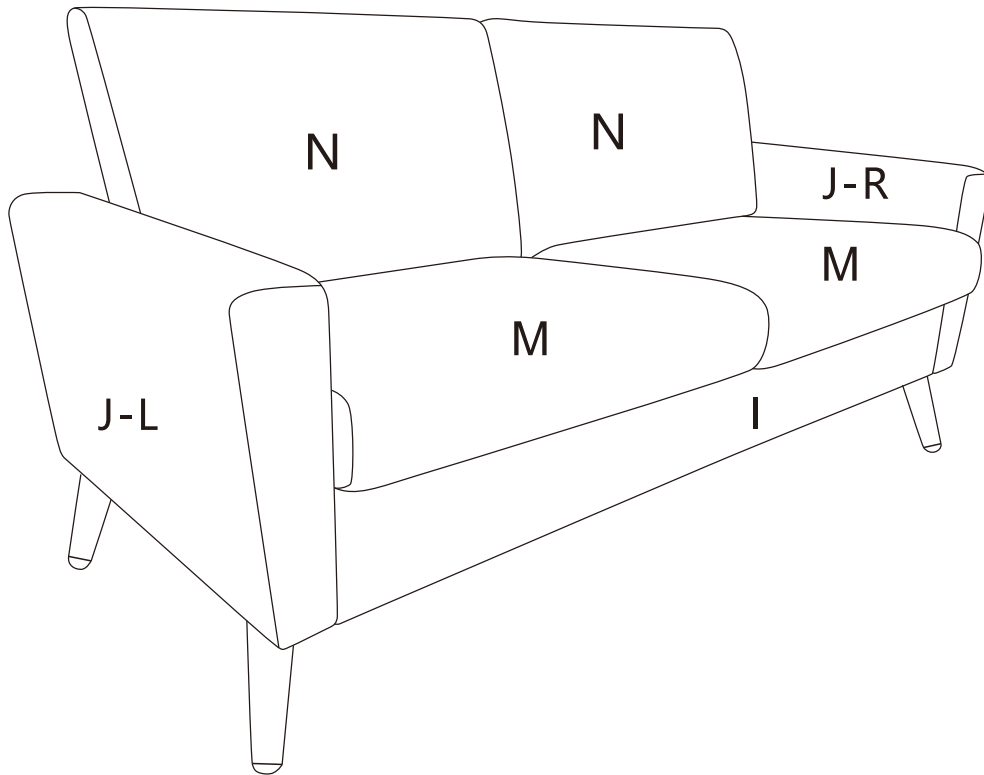
STEP 7



STEP 8



STEP 9



QUESTIONS? CONTACT US:

• Email: customerservice@hkfoam.com

If in any case, you are not 100% happy with the item received, would you please contact us first and give us a chance to make it right for you? All of our products are covered by warranty and we will do our best to address any of your concerns. We are dedicated to your 100% satisfaction with your order.