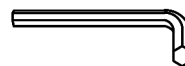


ASSEMBLY INSTRUCTIONS

TOOLS REQUIRED



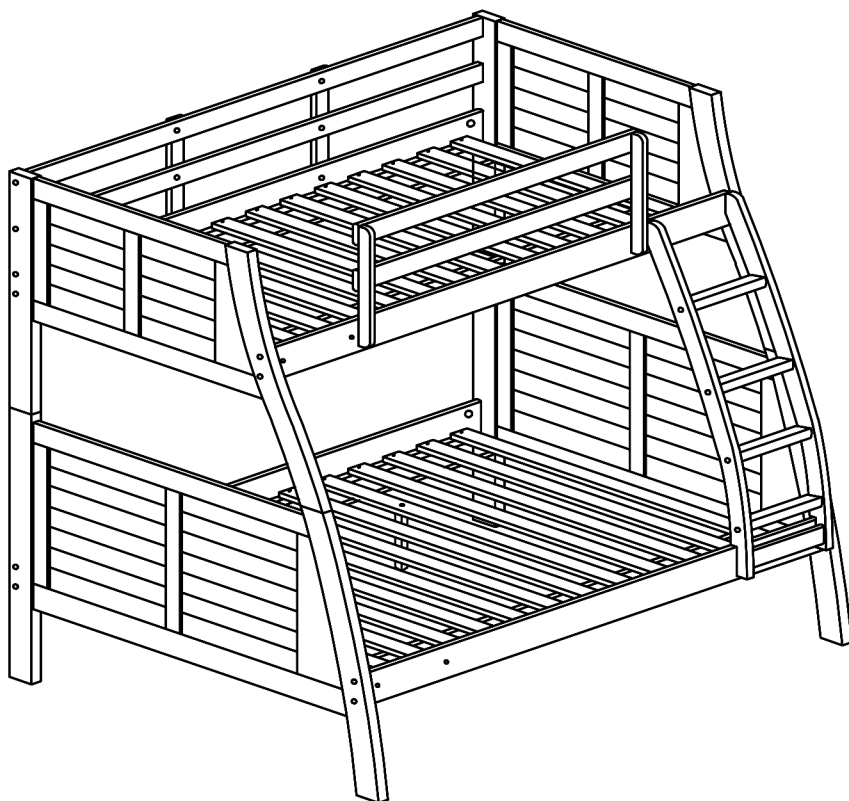
Allen Wrench

(Included)



**Phillips
Screwdriver**

(Not Included)



**2 - Persons
Recommended**

ASSEMBLY RATING



EASY ————— DIFFICULT

The Assembly Rating is a 5-point system showing the level of effort needed to assemble a specific product.



CHECK BEFORE STARTING

Are you missing anything?

Double-check all parts, hardware and accessories listed on Page 6 are accounted for.

Check out our Quick Tips!

We recommend reviewing the pre-assembly handouts. Even experts need a refresher now and then!

Should we send any replacements?

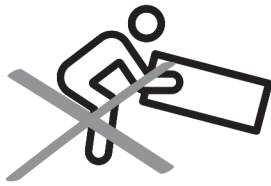
Are there any irregularities or flaws in the parts? We can send replacements!

Prep Time!

Please review the assembly instructions and all diagrams prior to assembling. Arrange parts as recommended on Page 7 and group identical hardware together to make assembling easier.

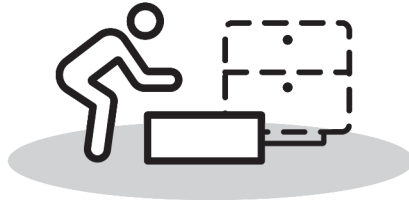
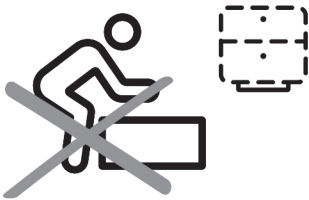
PRE ASSEMBLY INTRODUCTION

We understand building ready-to-assemble furniture can be a challenging experience for some. To help avoid confusion, we have provided some helpful tips that may speed up the process.



Teamwork

ALWAYS have at least two people to help with transporting and assembling the product to avoid potential injury and/or damage.



Suitable Location

Assembling near the area of the intended location is highly recommended.



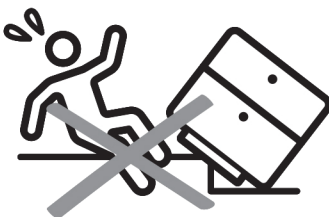
Sufficient Space

Make sure you have enough space to move around during the assembly.



Avoid Scratches

Use cardboard, blankets or a carpeted area while assembling furniture to prevent scratches.



Flat Surface

Make sure the furniture rests on a flat and level surface with each leg evenly touching the floor.

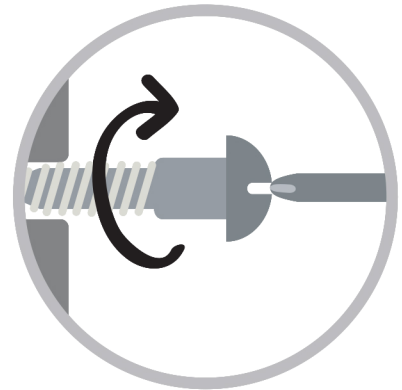
ASSEMBLY AND CARE ADVICE



FAILURE TO FOLLOW THE GUIDELINES BELOW MAY RESULT IN INJURY AND/OR PROPERTY DAMAGE.



Position each part correctly and insert screws or bolts into their respective holes.



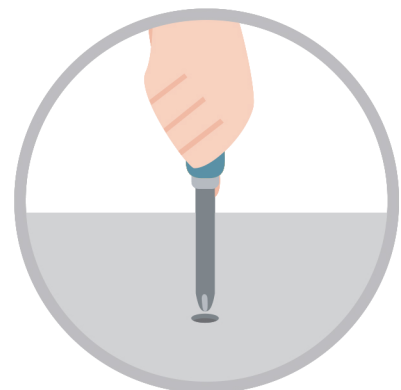
Turn clockwise to tighten and only tighten when step is completed or when instructed to do so.



Use the appropriate hand tools or power tools for assembly. Select steps, such as tightening screws and/or bolts, may require hand tools to avoid causing damage during assembly.



Save the instructions and store any supplied tools for later maintenance.



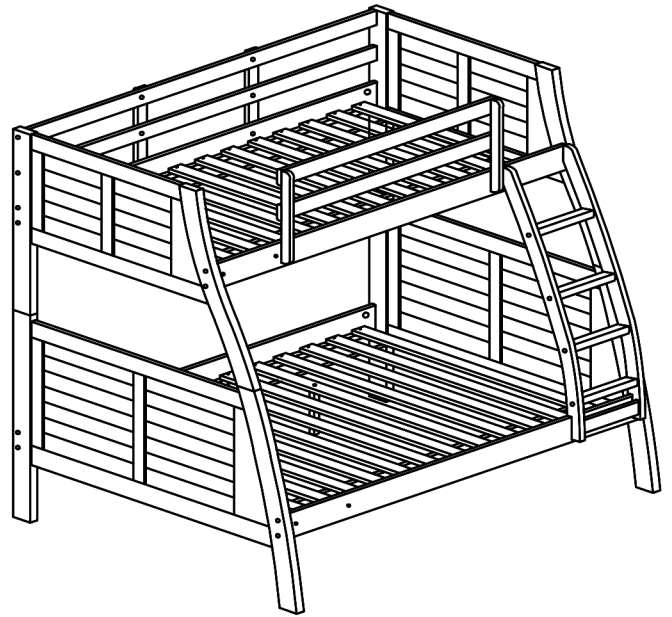
After two weeks, check and tighten any loose hardware and repeat again every six months thereafter.

IT IS THE USER'S RESPONSIBILITY TO MAINTAIN THE FURNITURE. THE HARDWARE MAY LOOSEN OVER TIME AND MAY CAUSE THE FURNITURE TO BE WOBBLY AND UNABLE TO SUPPORT ITS INTENDED WEIGHT CAPACITY. THIS MAY LEAD TO COLLAPSE AND MAY CAUSE SERIOUS INJURY.

BUNK BED



- Please keep instructions for future reference.
- Check the quantity and irregularity of parts and hardware before you start.



PARTS

#1 1pc



Lower End Guardrail(R)

#2 1pc



Lower End Guardrail(L)

#3 1pc



Lower Back Side Rail

#4 1pc



Lower Front Side Rail

#5 1pc



Upper End Guardrail(R)

#6 1pc



Upper End Guardrail(L)

#7 1pc



Upper Front Side Rail

#8 1pc



Upper Back Side Rail

#9 2pcs



Back Guardrail

#10 2pcs



Guardrail Support

#11 2pcs



Guardrail Support

#12 2pcs



Front Guardrail

#13 1pc



Ladder Rail (L)

#14 1pc



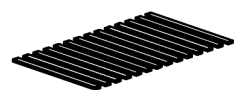
Ladder Rail (R)

#15 5pcs



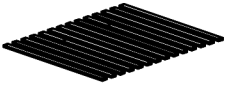
Ladder Rung

#16 1set



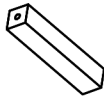
Top Slat (14pcs)

#17 1set



Bottom Slat (14pcs)

#18 2pcs



Support Leg

HARDWARE

#A 4pcs



Dowel Ø10 x 1-5/8"

#B 16pcs



Bolt Ø1/4 x 2-3/4"

#C 16pcs



Hanger Nut Ø1/4

#D 4pcs



Screw Ø6.5 x 3-1/8"

#E 10pcs



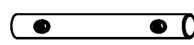
Screw Ø6.5 x 2"

#F 24pcs



Screw Ø1/4" x 1-3/16"

#G 4pcs



Connection nut
Ø10 x 3-18"

#H 8pcs



Bolt Ø1/4" x 1"

#I 56pcs



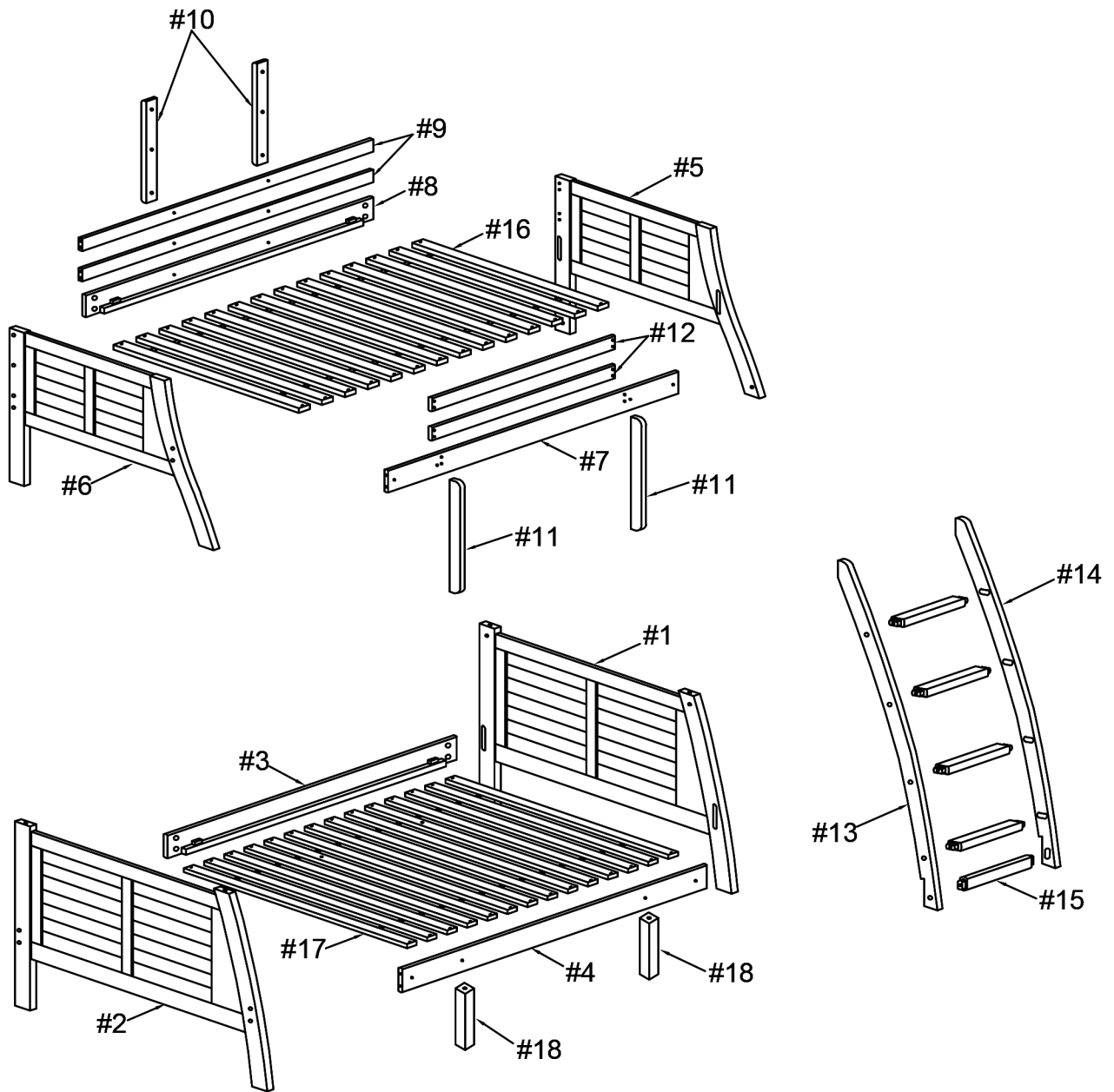
Screw #4 x 30mm

#J 1pcs



Allen Key 4mm

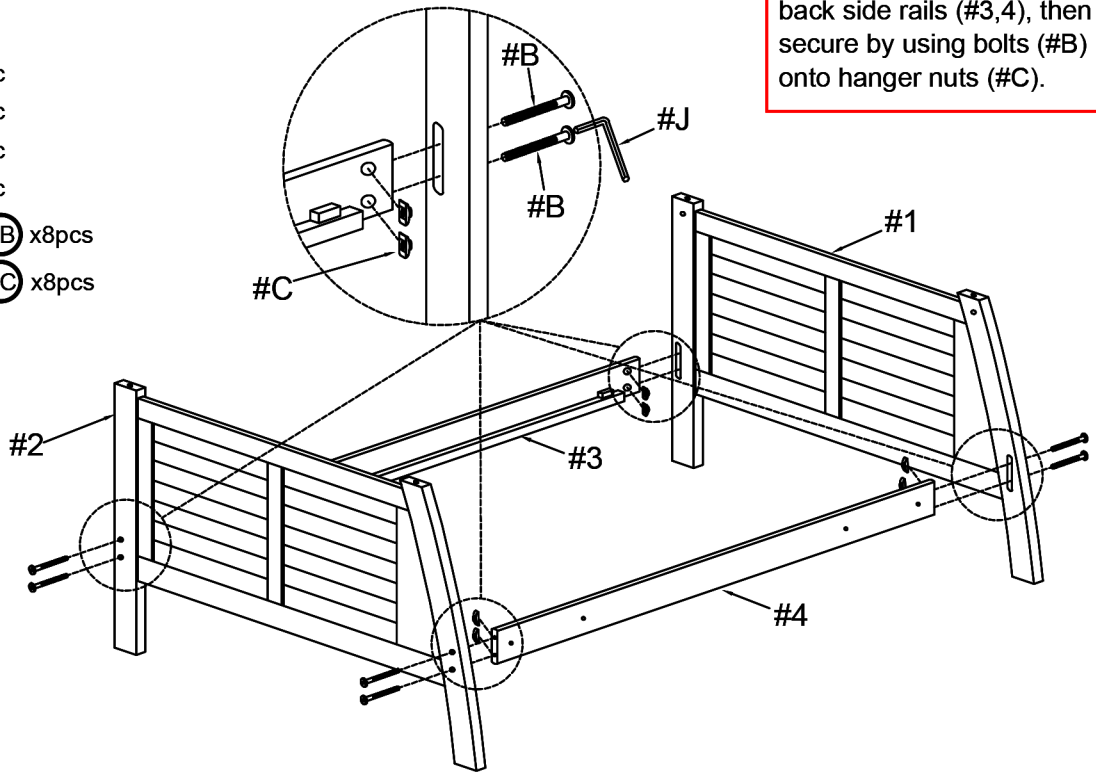
Exploded View



ASSEMBLY INSTRUCTIONS

1

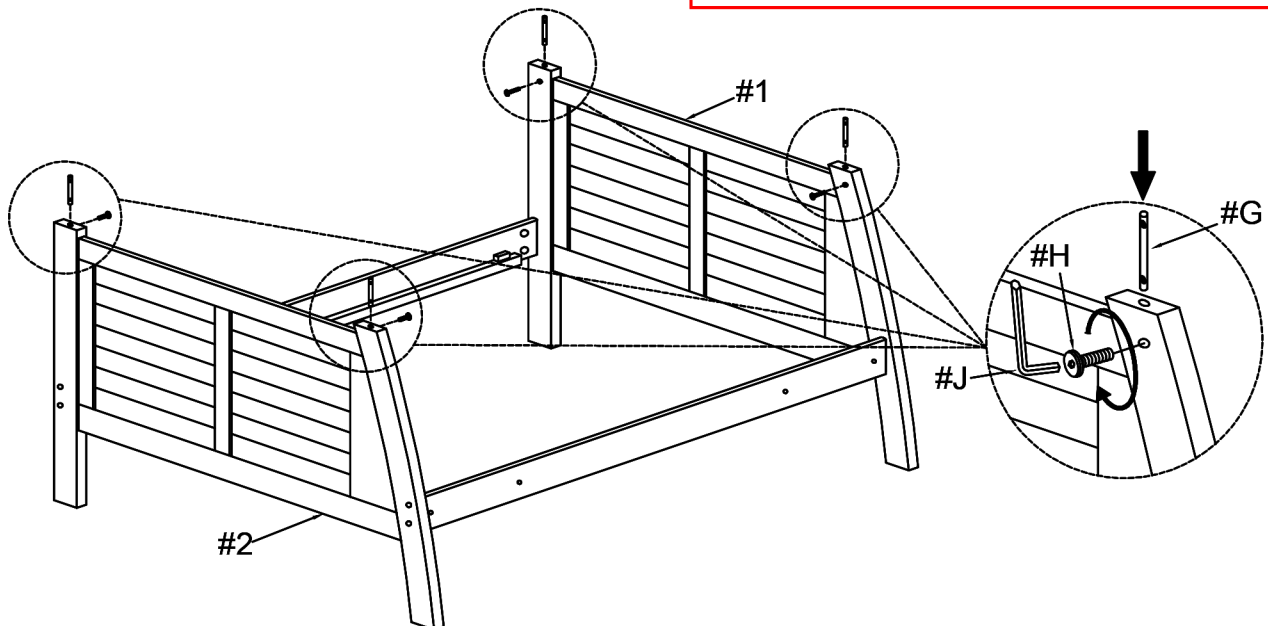
- Part #1 x1pc
- Part #2 x1pc
- Part #3 x1pc
- Part #4 x1pc
- Hardware #B x8pcs
- Hardware #C x8pcs



Align lower end guardrails (#1,2) to the lower front and back side rails (#3,4), then secure by using bolts (#B) onto hanger nuts (#C).

2

- Hardware #G x4pcs
- Hardware #H x4pcs

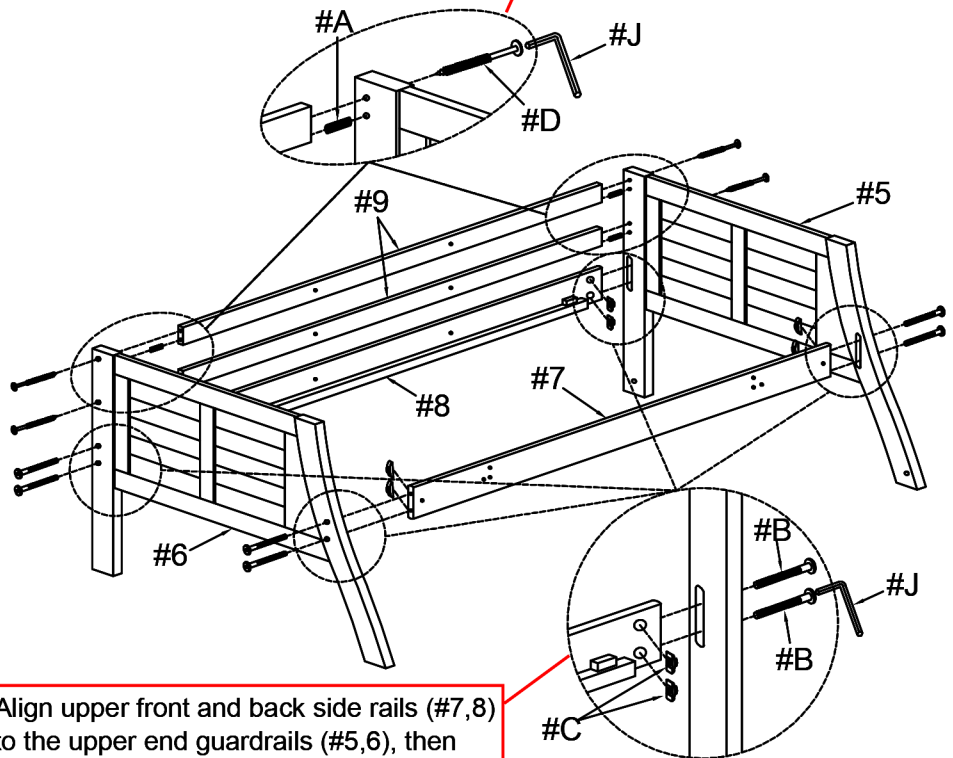


Align connection nuts (#G) to end guardrails (#1,2), then secure by using bolts (#J).

ASSEMBLY INSTRUCTIONS

3

- Part #5 x1pc
- Part #6 x1pc
- Part #7 x1pc
- Part #8 x1pc
- Part #9 x2pcs
- Hardware #A x4pcs
- Hardware #B x8pcs
- Hardware #C x8pcs
- Hardware #D x4pcs

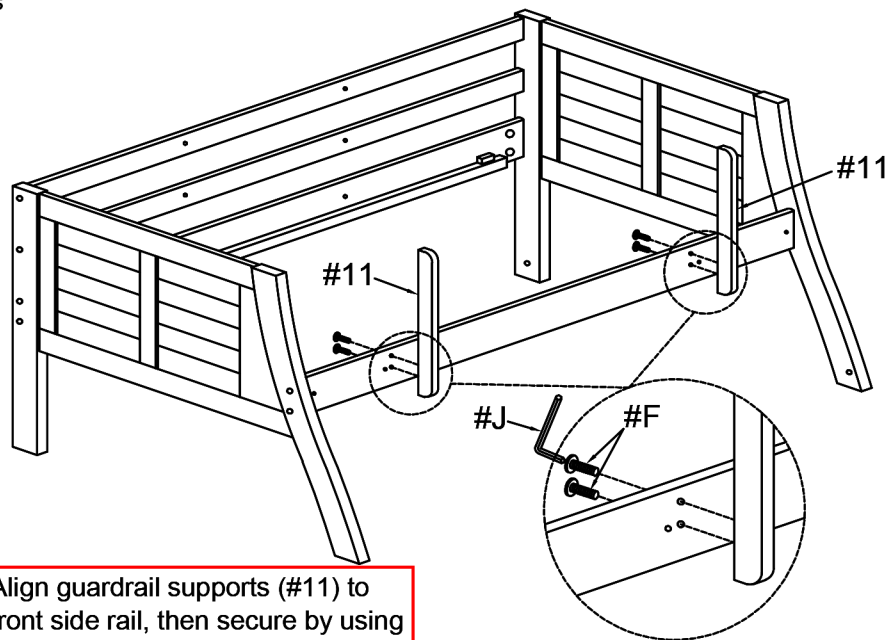


Insert dowels (#A) to upper end guardrails (#5,6), then secure back guardrails (#9) to upper end guardrails (#5,6) by using screws (#D).

Align upper front and back side rails (#7,8) to the upper end guardrails (#5,6), then secure by using bolts (#B) onto hanger nuts (#C).

4

- Part #11 x2pcs
- Hardware #F x4pcs



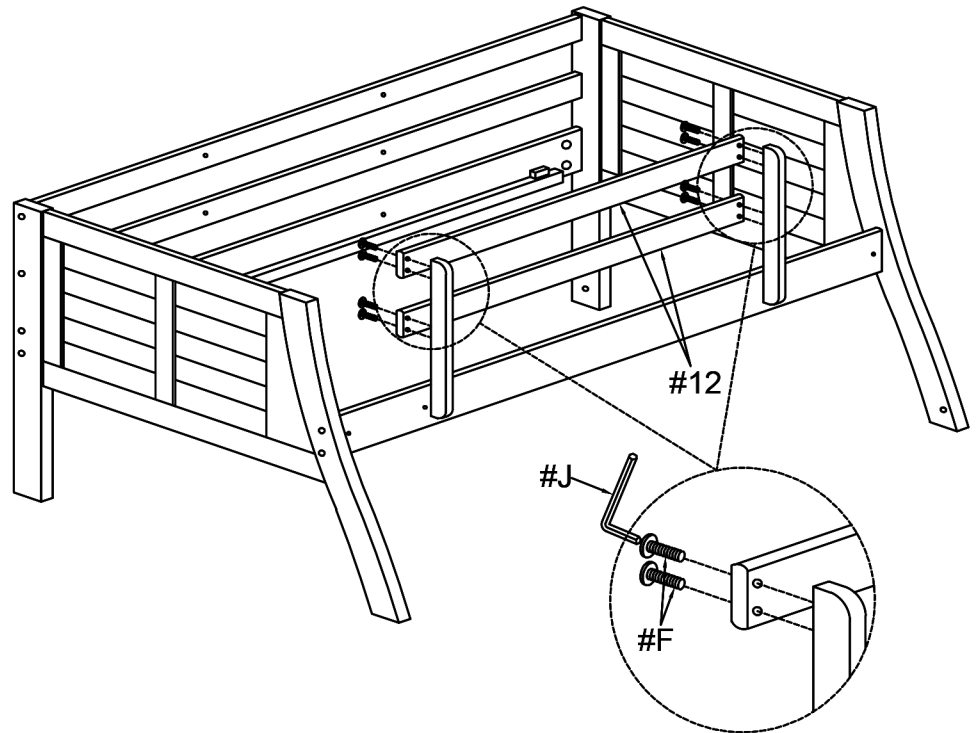
Align guardrail supports (#11) to front side rail, then secure by using bolts (#F).

ASSEMBLY INSTRUCTIONS

Align front guardrails (#12) to the support, then secure by using bolts (#F).

5

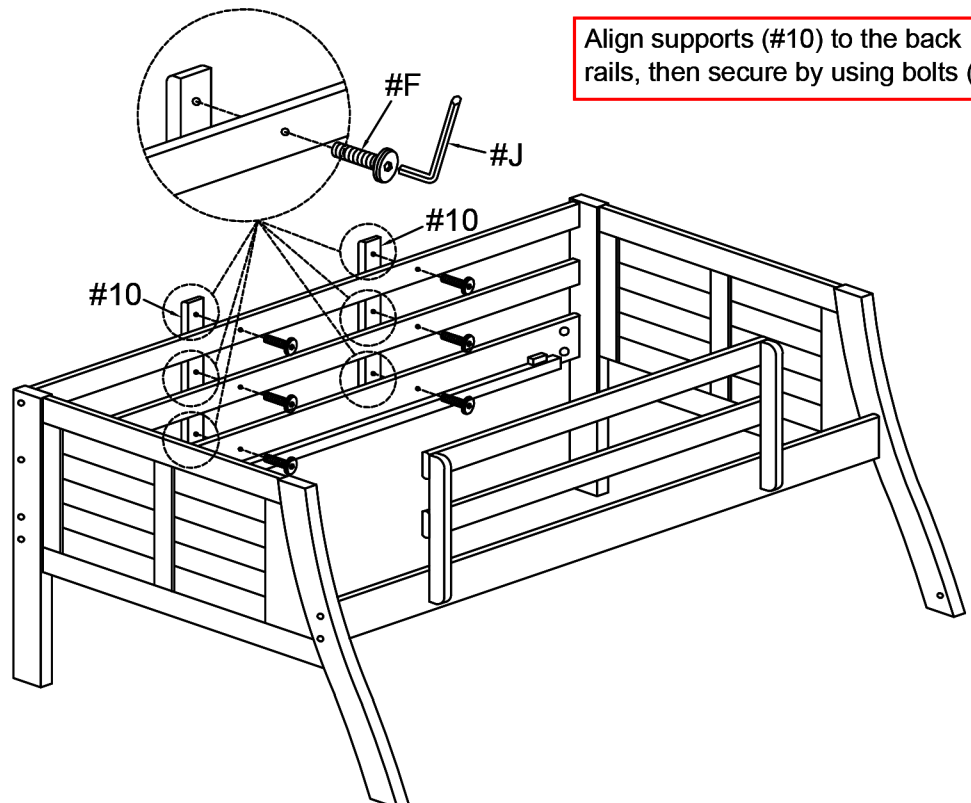
Part #12 x2pcs
Hardware #F x8pcs



6

Part #10 x2pcs
Hardware #F x6pcs

Align supports (#10) to the back rails, then secure by using bolts (#F).

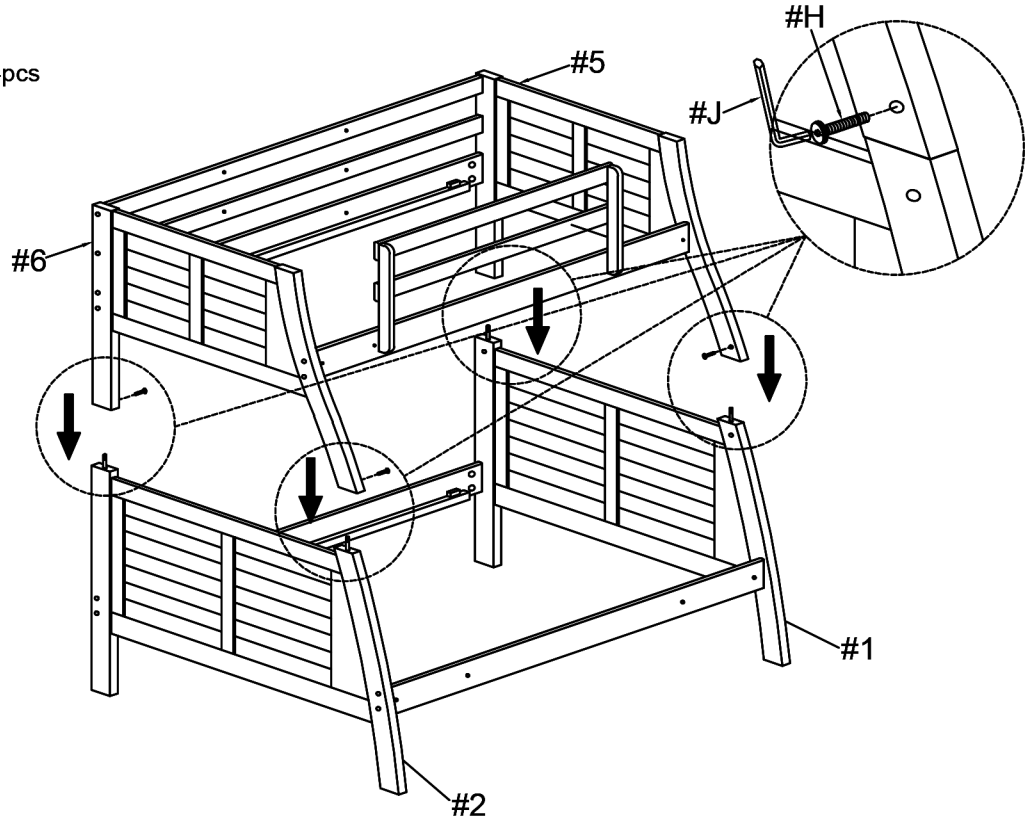


ASSEMBLY INSTRUCTIONS

Align upper bunk to lower bunk, then secure by using bolts (#H).

7

Hardware (#H) x4pcs



8

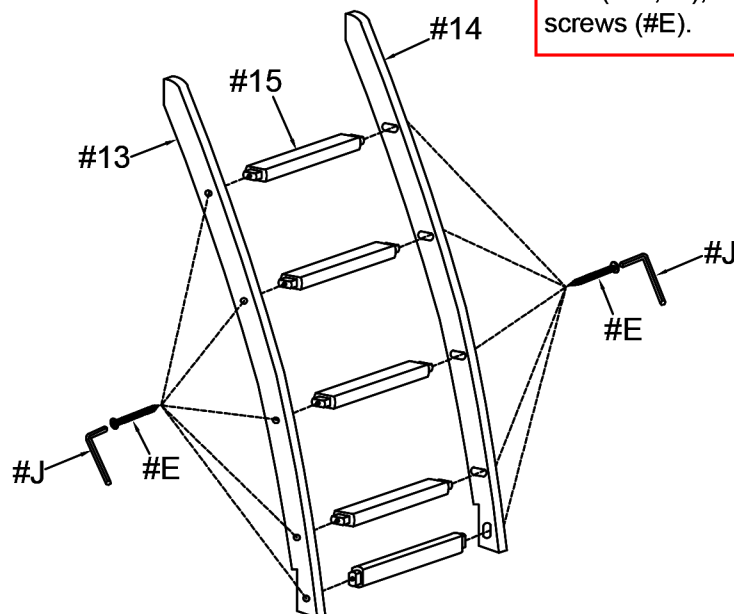
Part (#13) x1pc

Part (#14) x1pc

Part (#15) x5pcs

Hardware (#E) x10pcs

Align ladder rungs (#15) to ladder rails (#13,14), then secure by using screws (#E).

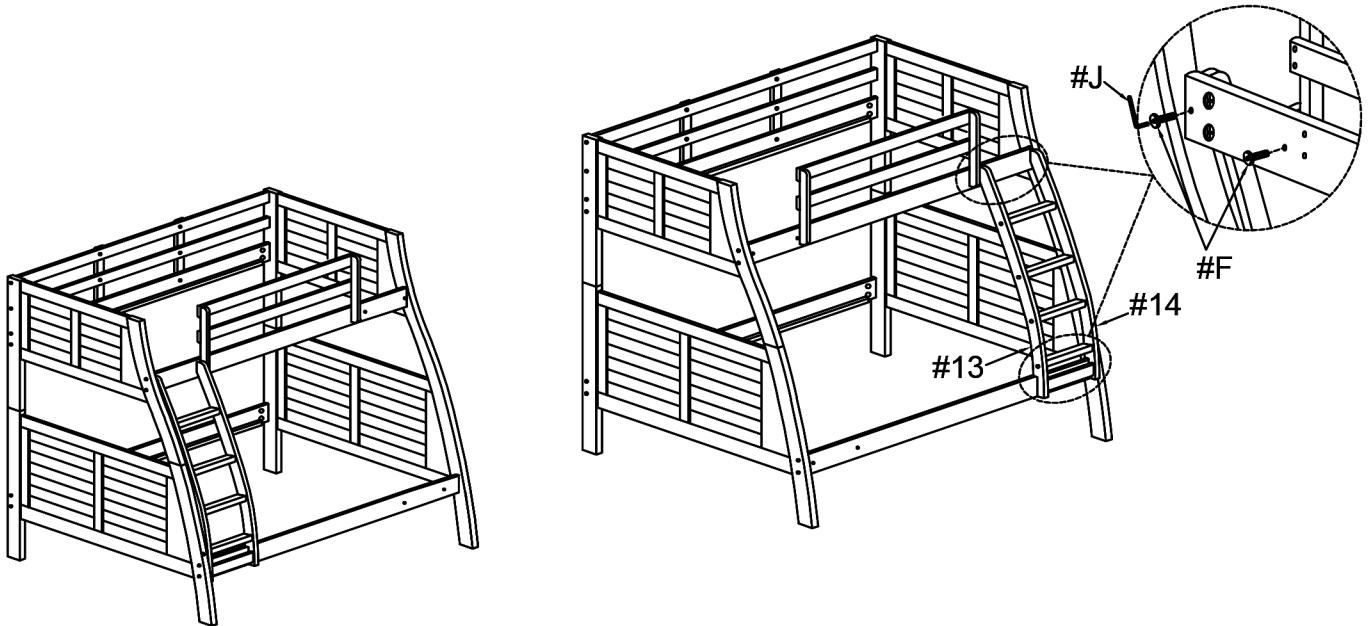


ASSEMBLY INSTRUCTIONS

9

Hardware **#F** x4pcs

Align ladder in either side of the bunk bed, then secure by using bolts (#F).



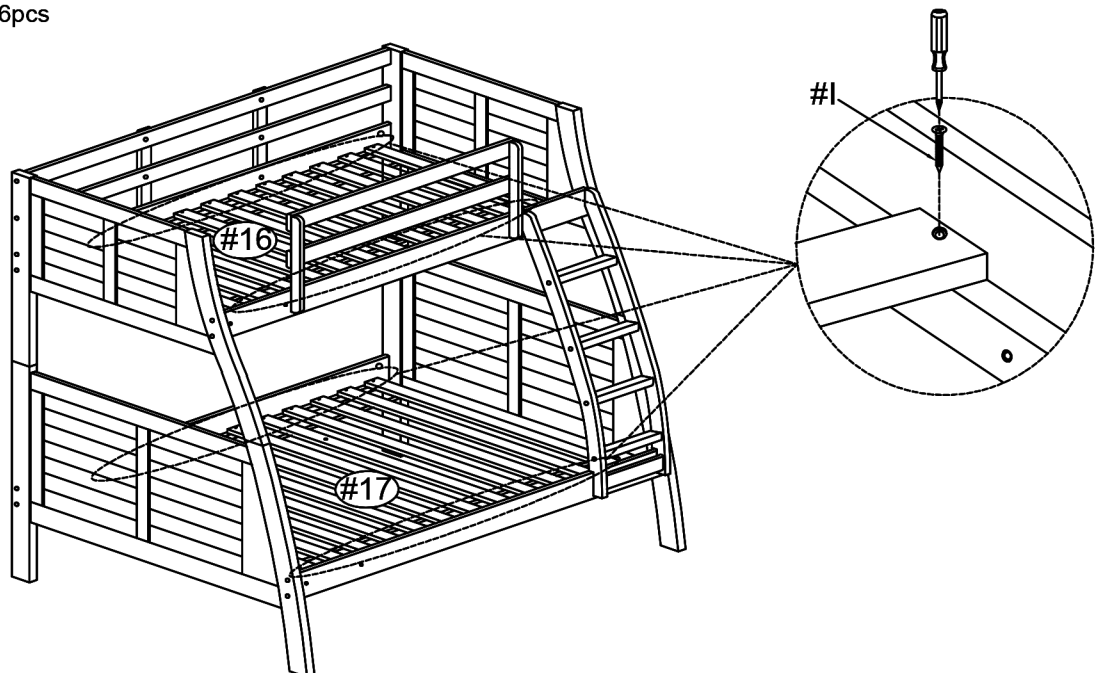
10

Part **#16** x1set

Part **#17** x1set

Hardware **#I** x56pcs

Align slat kits (#16,17) to the bunk bed, then secure by using screws (#I).

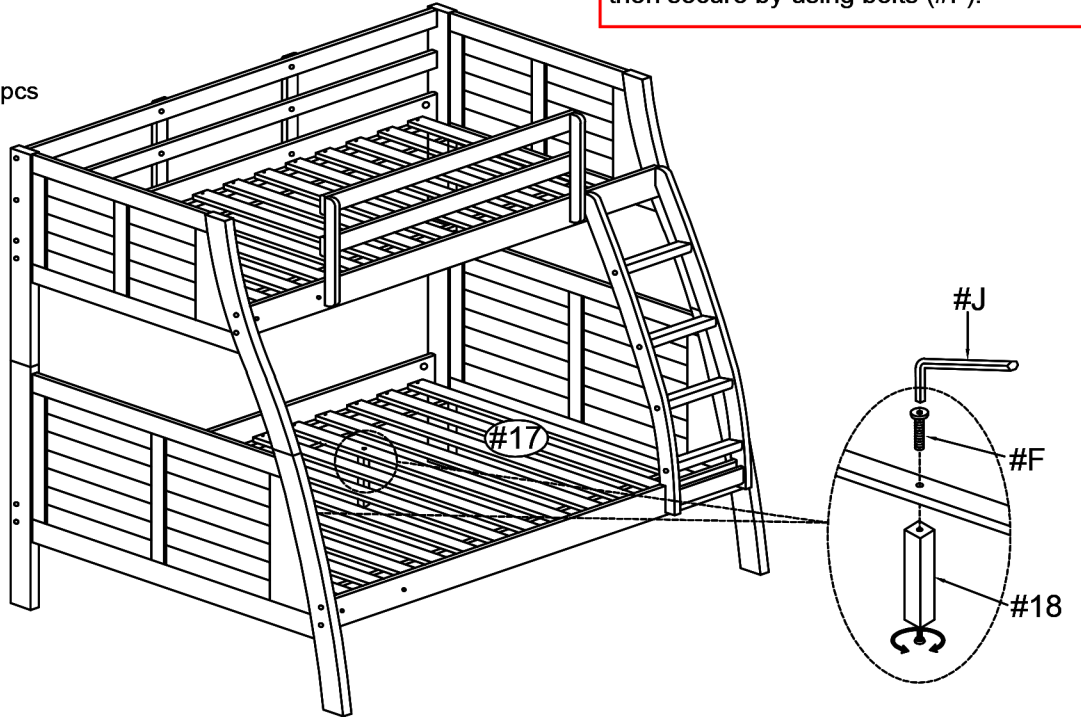


ASSEMBLY INSTRUCTIONS

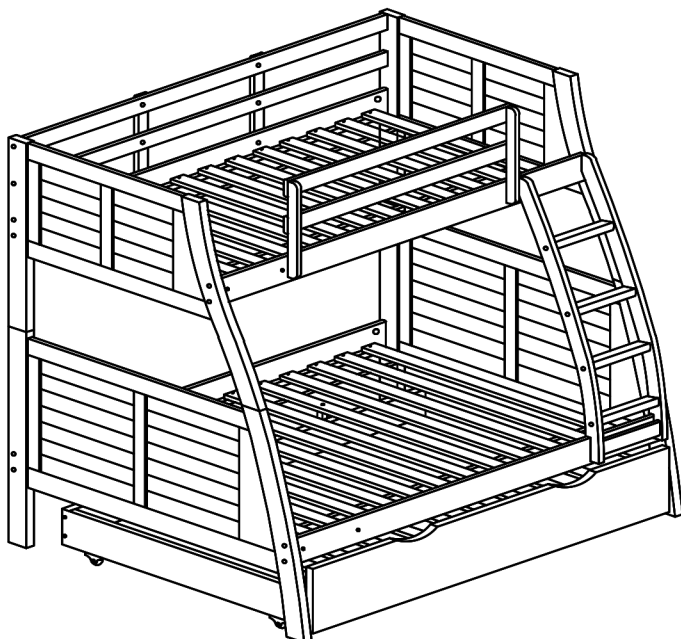
11

Part #18 x2pcs
Hardware #F x 2pcs

Align support leg (#18) to the slat kit (#17), then secure by using bolts (#F).



12



ASSEMBLY COMPLETED



Please ensure the furniture rests on an even and flat surface. If the product wobbles or feels loose, double-check all bolts and/or screws are properly tightened and secured.

✓ Keep this handy!

Please retain this instruction manual and any order-related information for future reference.