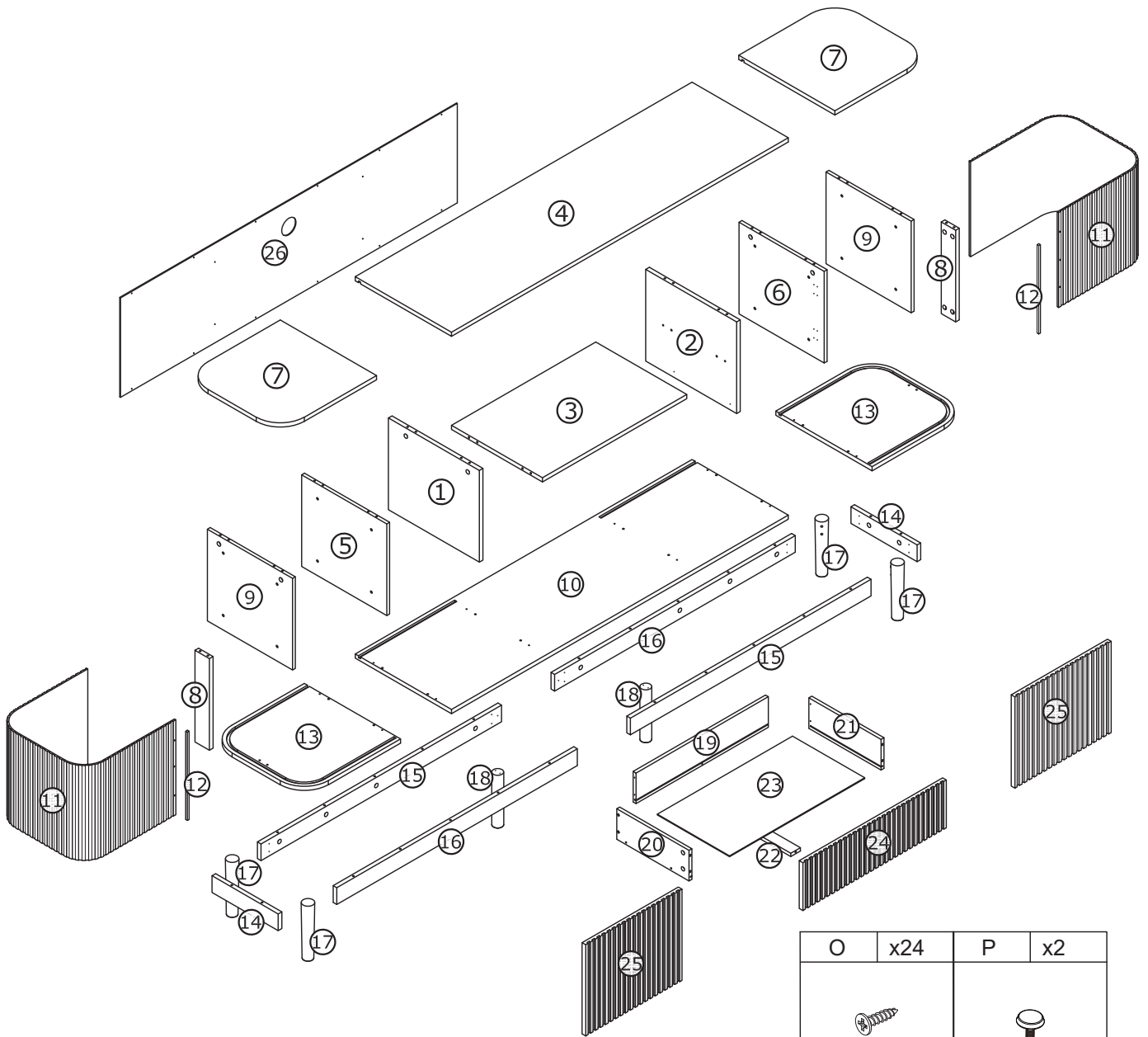


Installation instruction

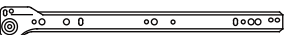


Packing list



O	x24	P	x2
Ø3.5*12			

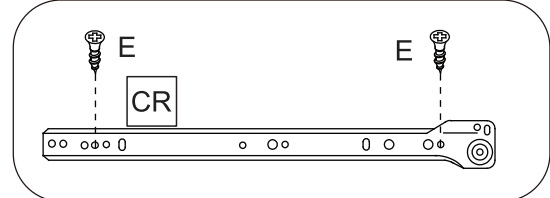
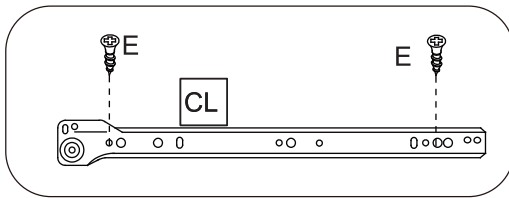
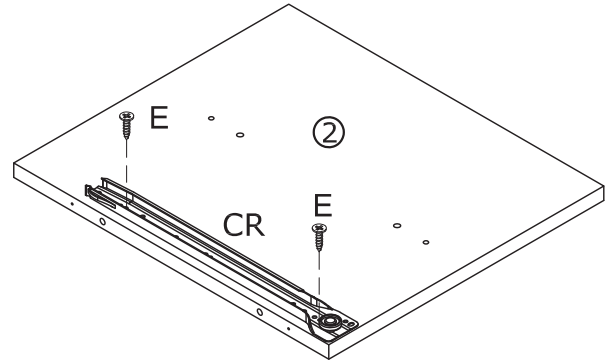
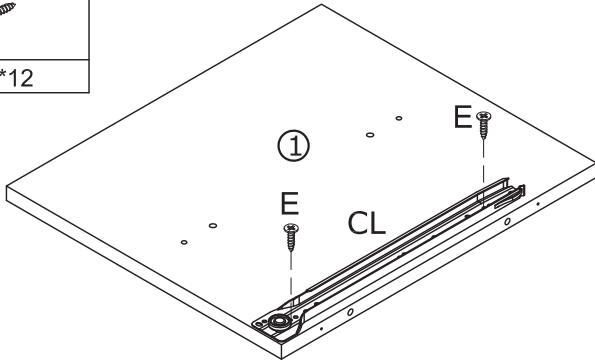
A	x49	B	x49	C	x32	D	x21	E	x8	F	x8	G	x2
M6*35		Ø15*10		Ø6*30		Ø4*40		Ø3*12		M6*12			
H	x4	I	x2	J	x42	K	x8	L	x1	M	x4	N	x16
				Ø4*14		M6*30		M4				Ø3*14	
CL	x1	CR	x1	DL	x1	DR	x1						
300MM		300MM		300MM		300MM							

STEP1

CL	x1	CR	x1
			
300MM		300MM	
E	x4		
			
Ø3*12			

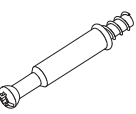
Fix right outer drawer runner (CL) to parts ① using screws (E), as shown.

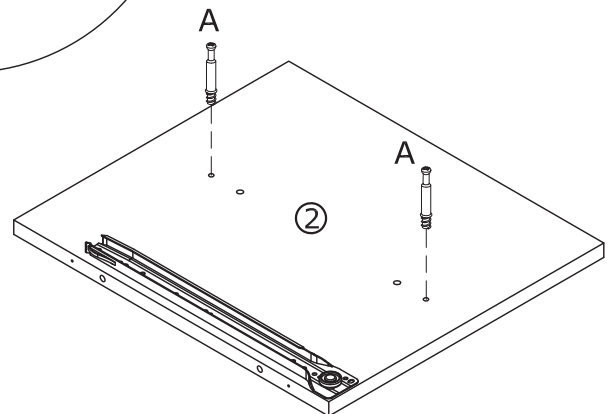
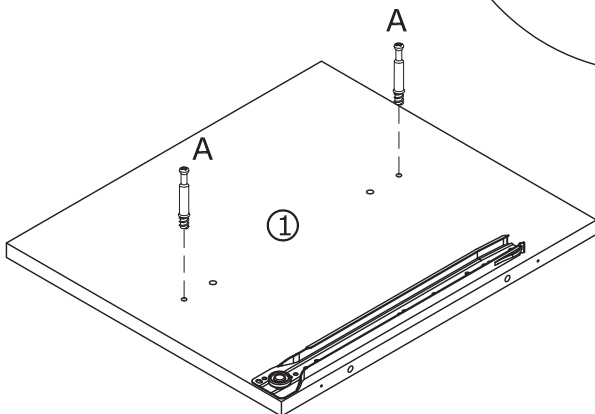
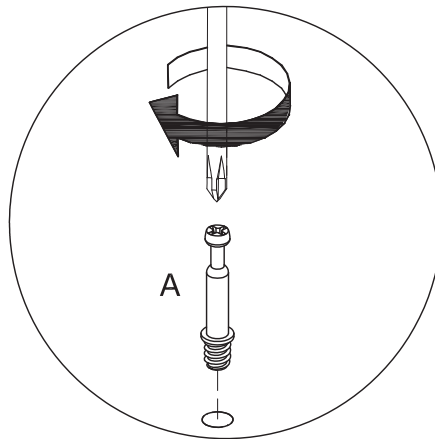
Fix right outer drawer runner (CR) to parts ② using screws (E), as shown.



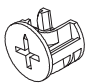
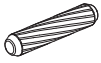
STEP2

Insert quickfit screws (A) into corresponding holes in part ① ② as shown.

A	x4
	
M6*35	

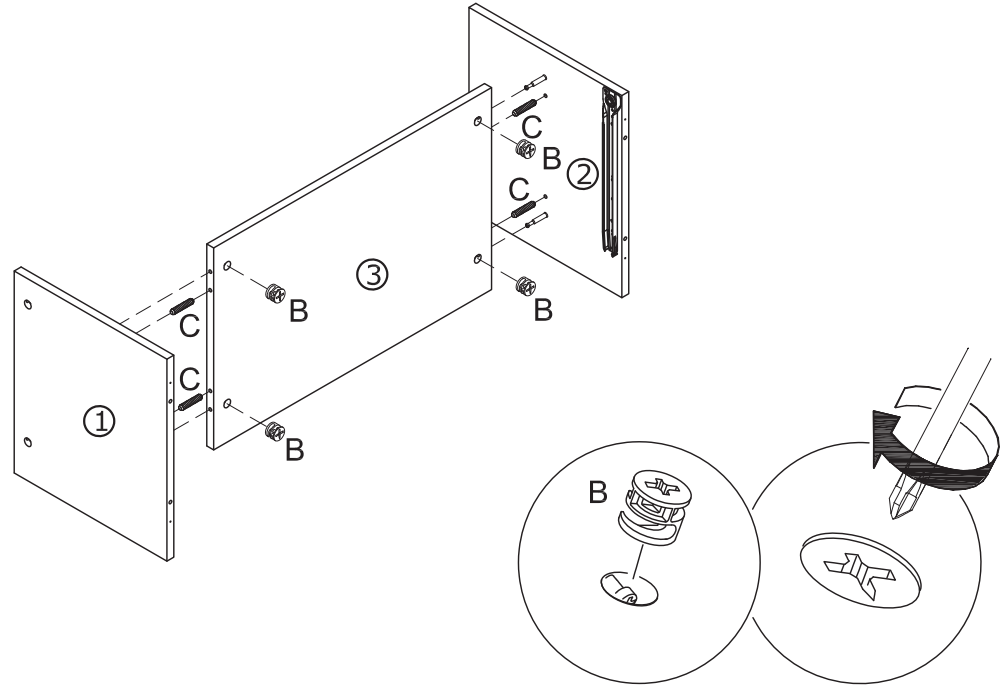


STEP3

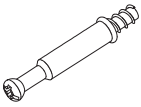
B	x4
	
Ø15*10	
C	x4
	
Ø6*30	

Insert wooden dowels (C) into part ③, as shown.

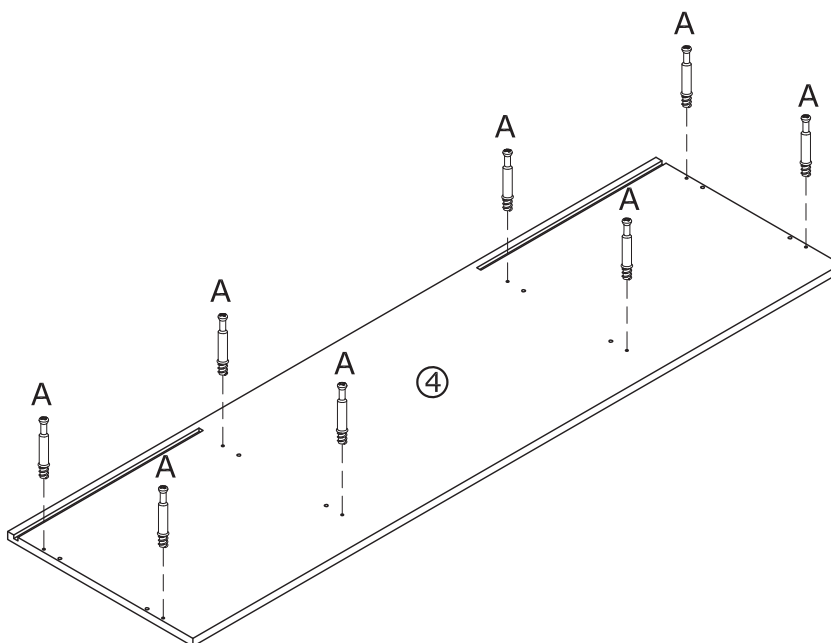
Insert cam locks (B) into parts ③ and attach parts ① ② as shown. Turn cam locks clockwise to tighten.



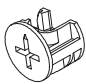
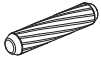
STEP4

A	x8
	
M6*35	

Insert quickfit screws (A) into corresponding holes in part ④ as shown.

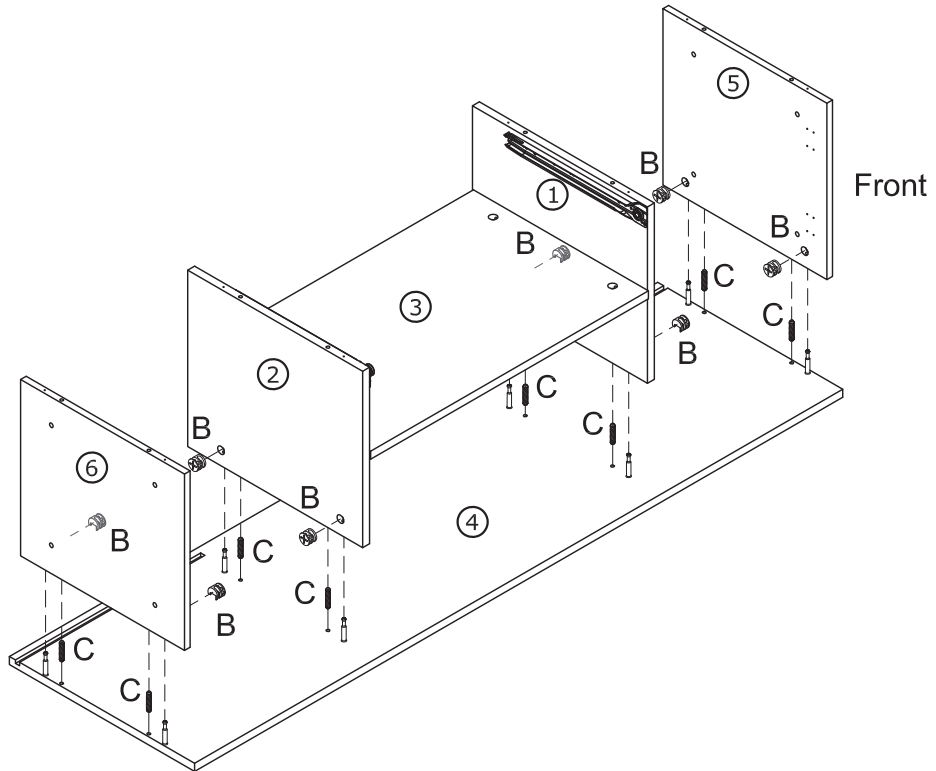


STEP5

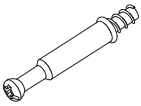
B	x8
	
Ø15*10	
C	x8
	
Ø6*30	

Insert wooden dowels (C) into part ④, as shown.

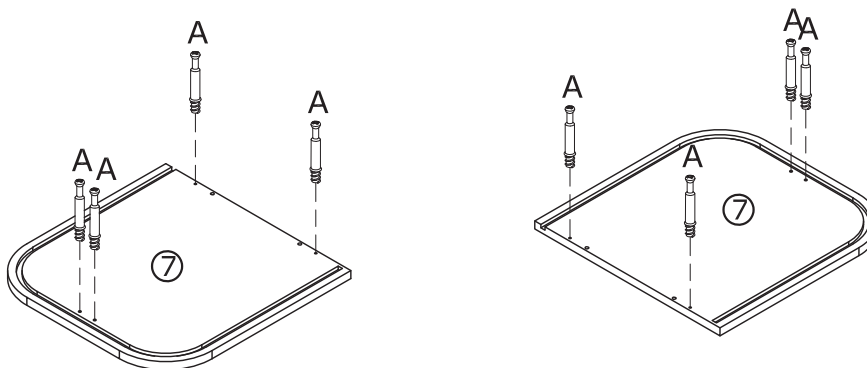
Insert cam locks(B) into parts ① ② ⑤ ⑥ and attach part ④ as shown. Turn cam locks clockwise to tighten.



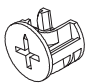
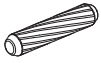
STEP6

A	x8
	
M6*35	

Insert quickfit screws(A) into corresponding holes in parts ⑦ as shown.

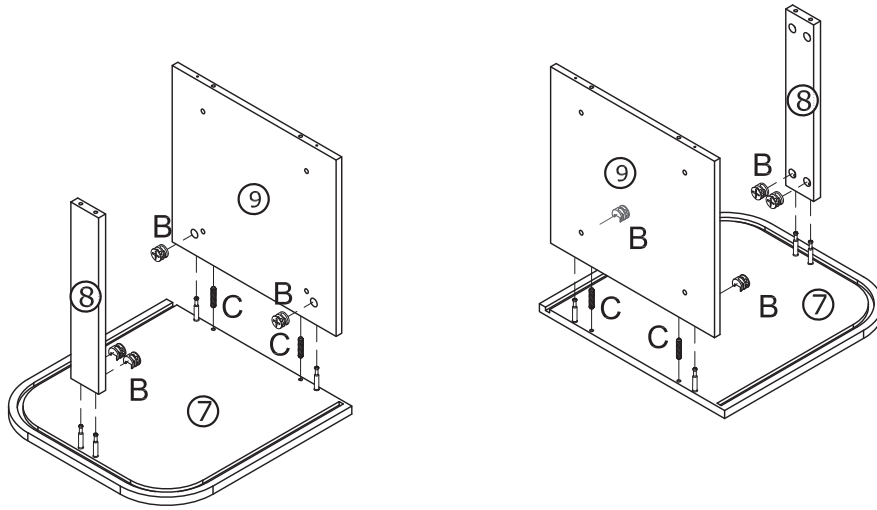


STEP 7


B	x8
	
Ø15*10	
C	x4
	
Ø6*30	

Insert wooden dowels (C) into parts ⑦, as shown.

Insert cam locks (B) into parts ⑧ ⑨ and attach parts ⑦ as shown. Turn cam locks clockwise to tighten.

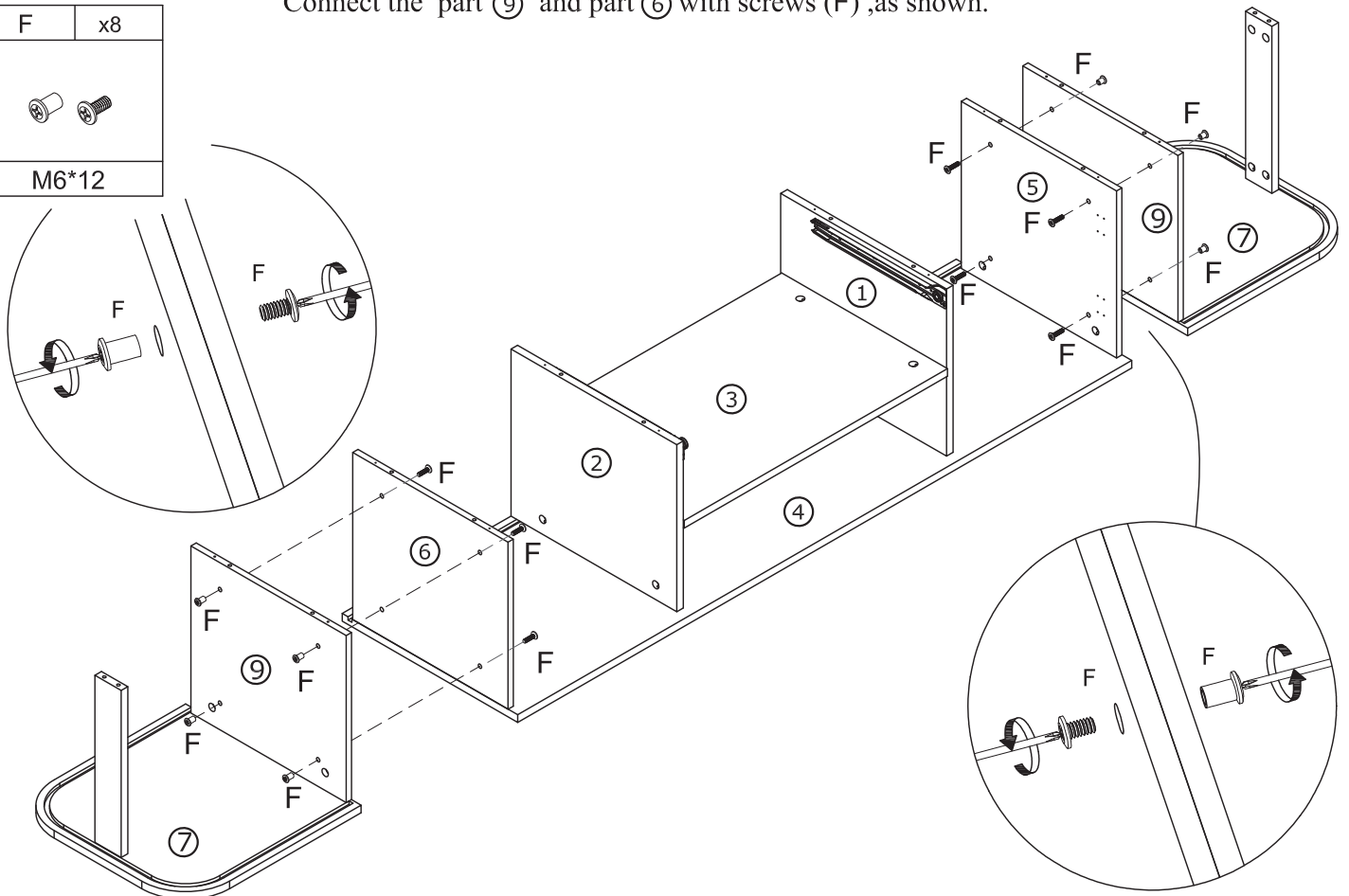


STEP 8

F	x8
	
M6*12	

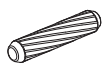

Connect the part ⑨ and part ⑤ with screws (F), as shown.

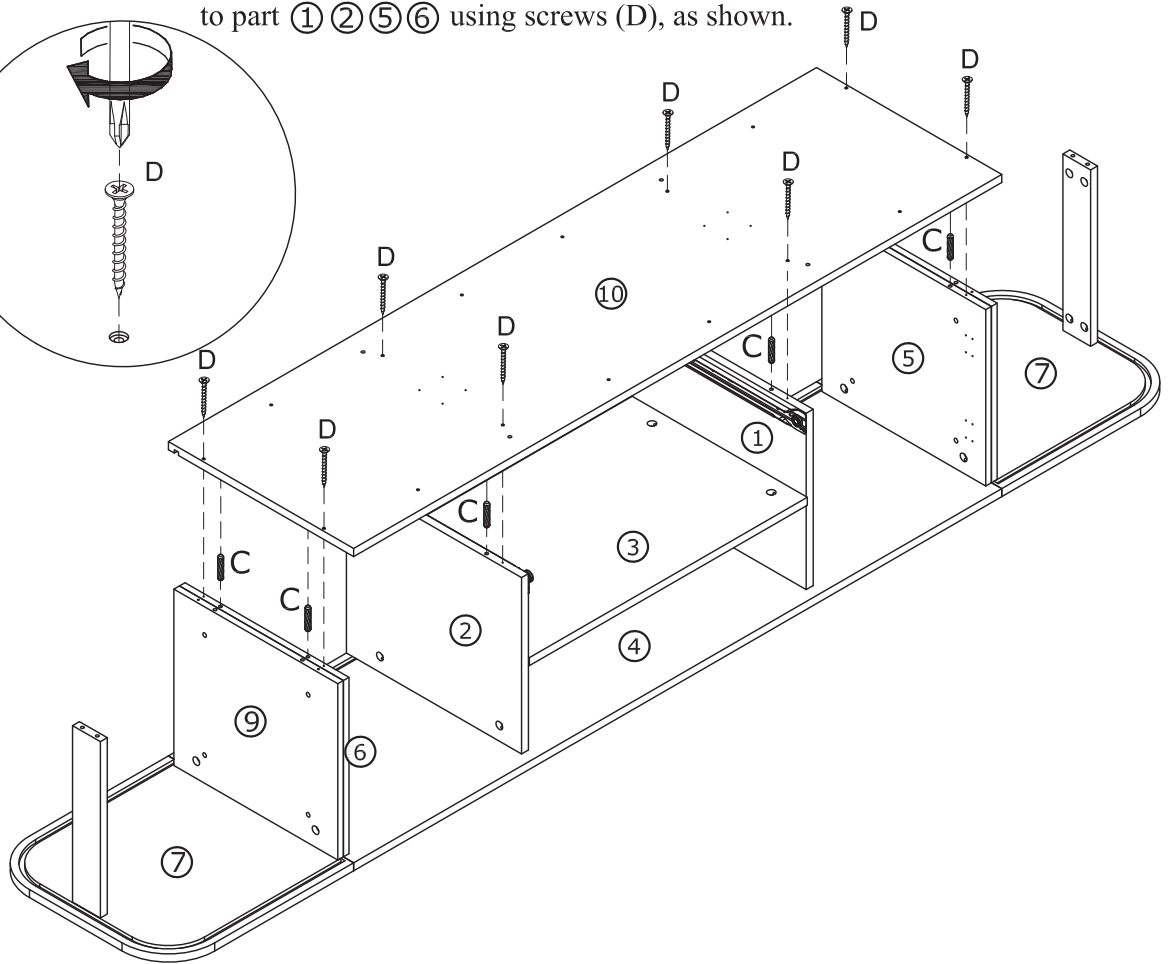
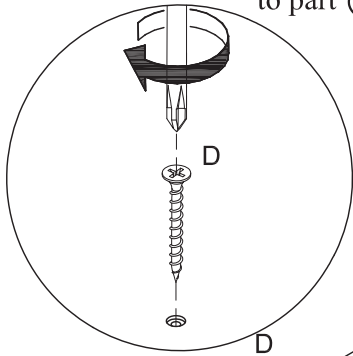
Connect the part ⑨ and part ⑥ with screws (F), as shown.



STEP 9


Insert wooden dowels (C) into part ① ② ⑤ ⑥ ,as shown. Attach part ⑩ to part ① ② ⑤ ⑥ using screws (D), as shown.

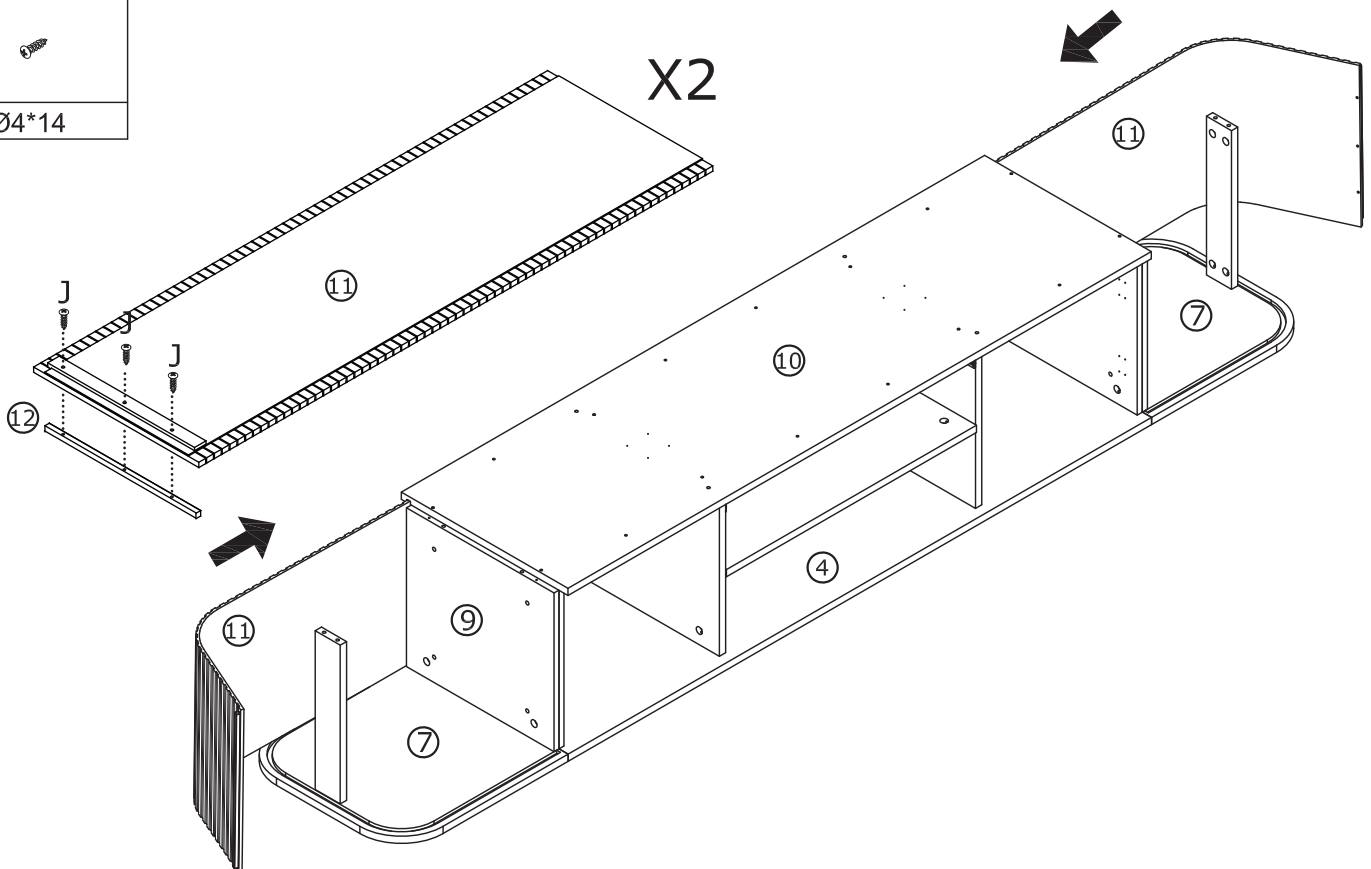
C	x8
	
Ø6*30	
D	x8
	
Ø4*40	



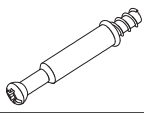
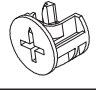
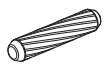

STEP 10

Thread screw (J) through part ⑪ and connect it to handle ⑫,as shown. Slide part ⑪ into available slots of parts ⑩ and 4' as shown.

J	x6
	
Ø4*14	



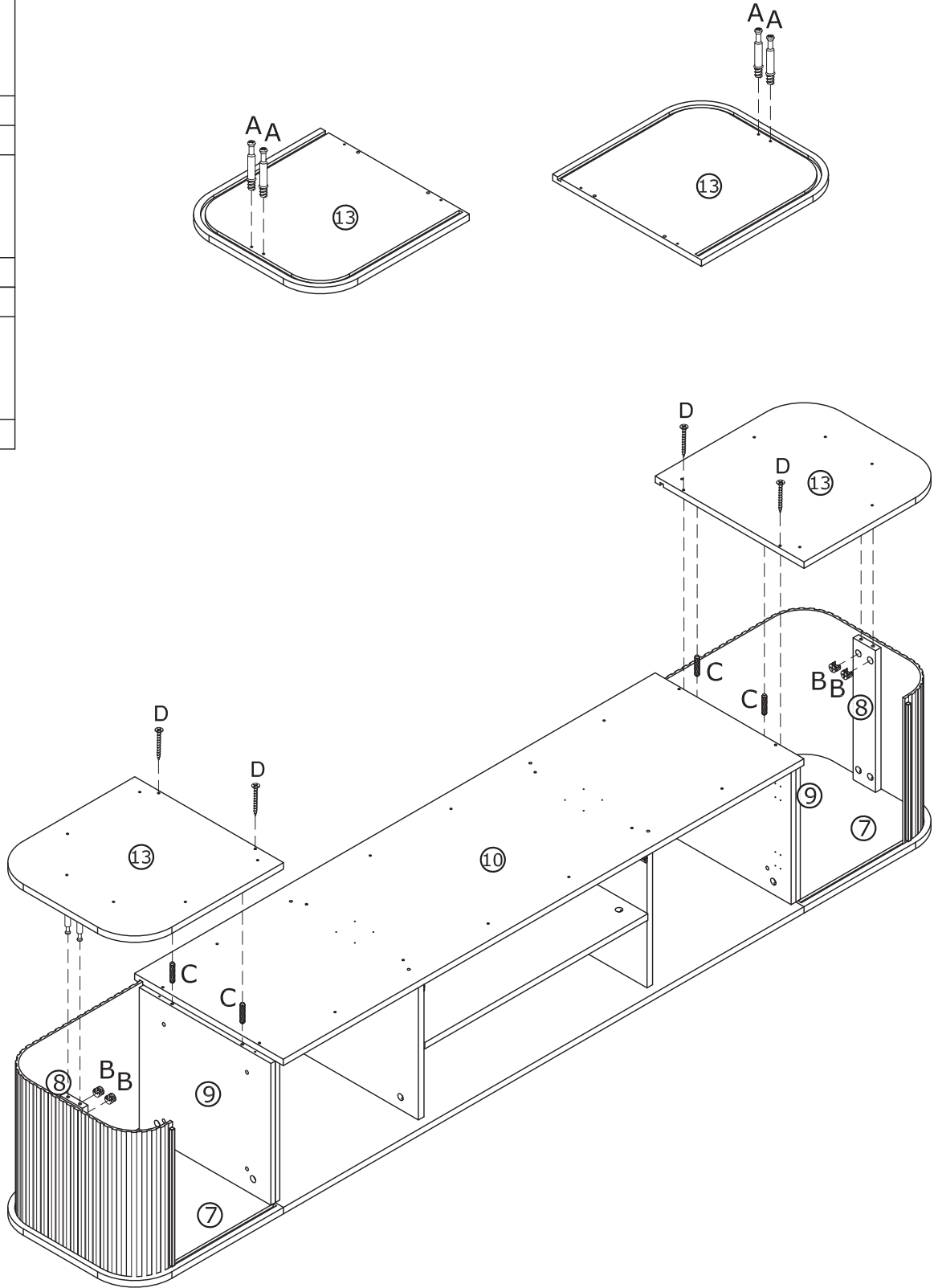
STEP 11

A	x4
	
M6*35	
B	x4
	
Ø15*10	
C	x4
	
Ø6*30	
D	x4
	
Ø4*40	

Insert quickfit screws(A) into corresponding holes in parts ⑬ as shown.

Insert wooden dowels (C) into part ⑨ ,as shown.Attach parts ⑬ to parts ⑨ using screws (D), as shown.

Insert cam locks(B) into parts ⑧ and attach parts ⑬ as shown.Turn cam locks clockwise to tighten.

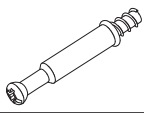
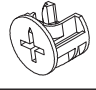
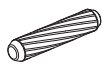


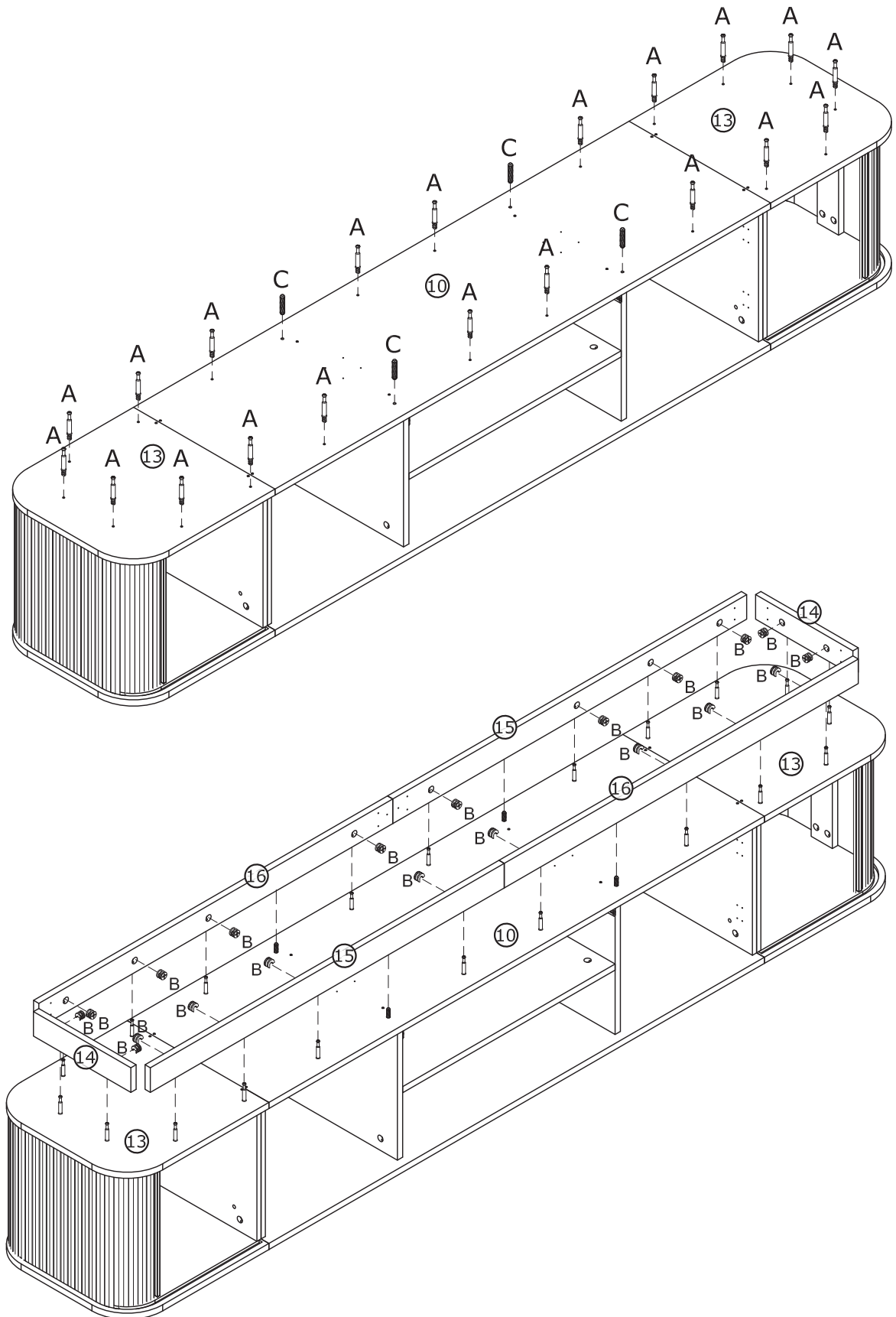
STEP 12

Insert quickfit screws(A) into corresponding holes in parts ⑩ ⑬ as shown.

Insert wooden dowels (C) into part ⑩, as shown.

Insert cam locks(B) into parts ⑭ ⑮ ⑯ and attach parts ⑩ ⑬ as shown. Turn cam locks clockwise to tighten.

A	x20
	
M6*35	
B	x20
	
Ø15*10	
C	x4
	
Ø6*30	



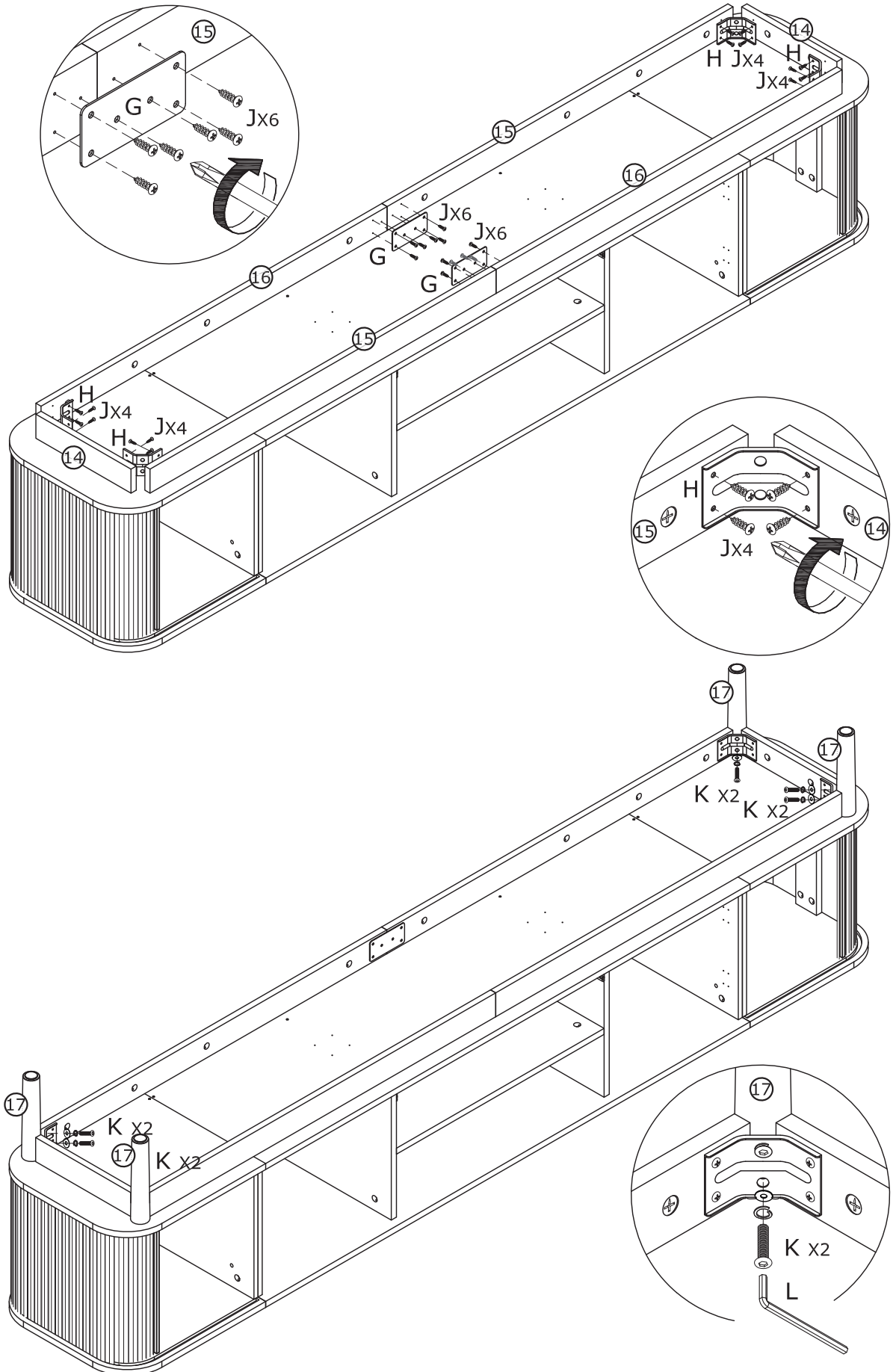
STEP 13

Fix Connector (G) to parts ⑮⑯ using screws (J), as shown.

Fix Connector (H) to parts ⑭⑮⑯ using screws (J), as shown.

Thread screw (K) through Connector (H) and leg ⑰ fit together use hex key (L).

G	x2
H	x4
J	x28
Ø4*14	
K	x8
M6*30	
L	x1
M4	







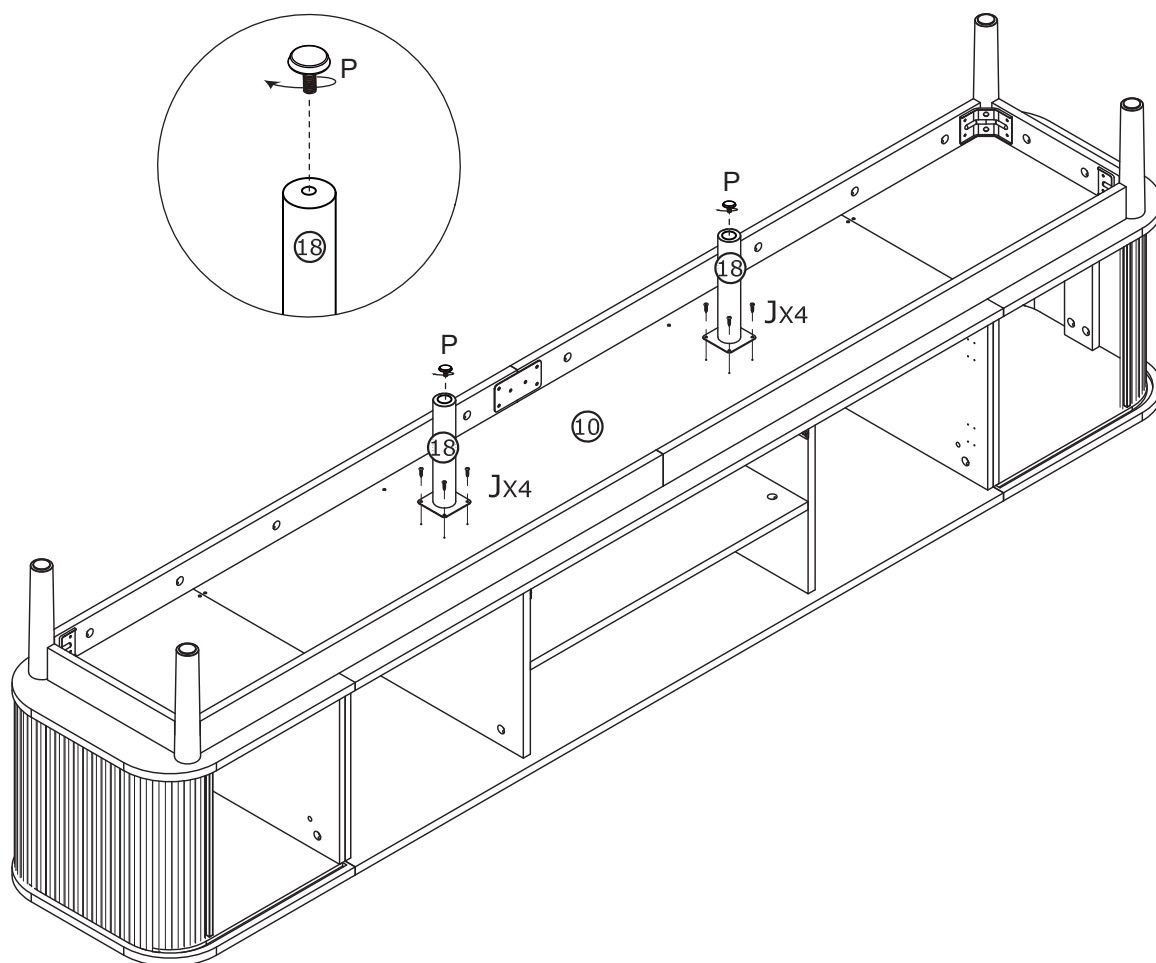
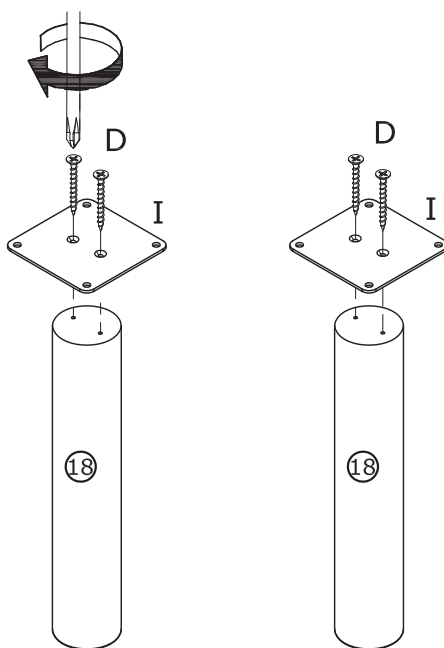
STEP 14

Fix iron sheet (I) to legs (18) using screws (D), as shown.

Thread screw (J) through iron sheet (I) and connect it to board (10), as shown.

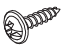
Fix the adjustable foot pad (P) to the leg (18)

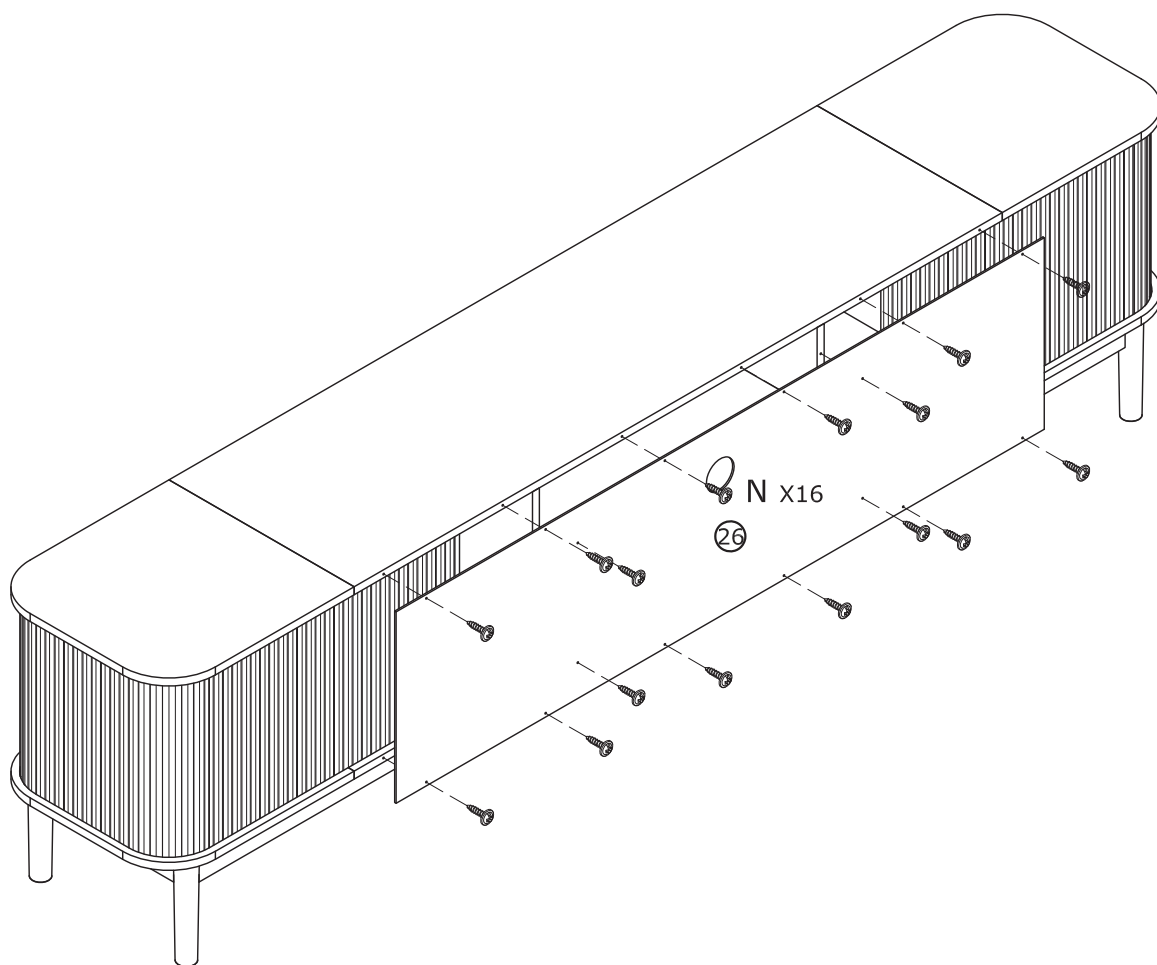
D	x4
	
Ø4*40	
I	x2
	
J	x8
	
Ø4*14	
P	x2
	



STEP 15

Attach backplane ②⑥ using screws(N), as shown.

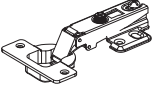

N	x16
	
Ø3*14	

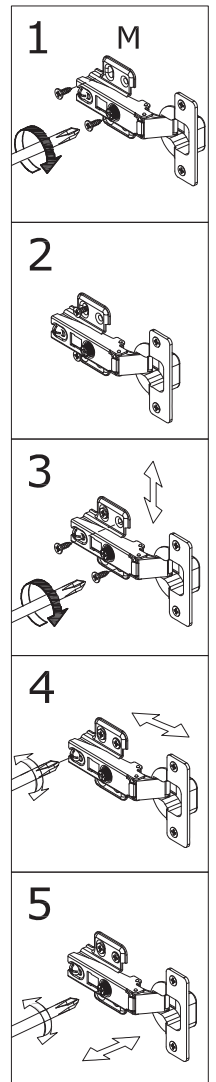
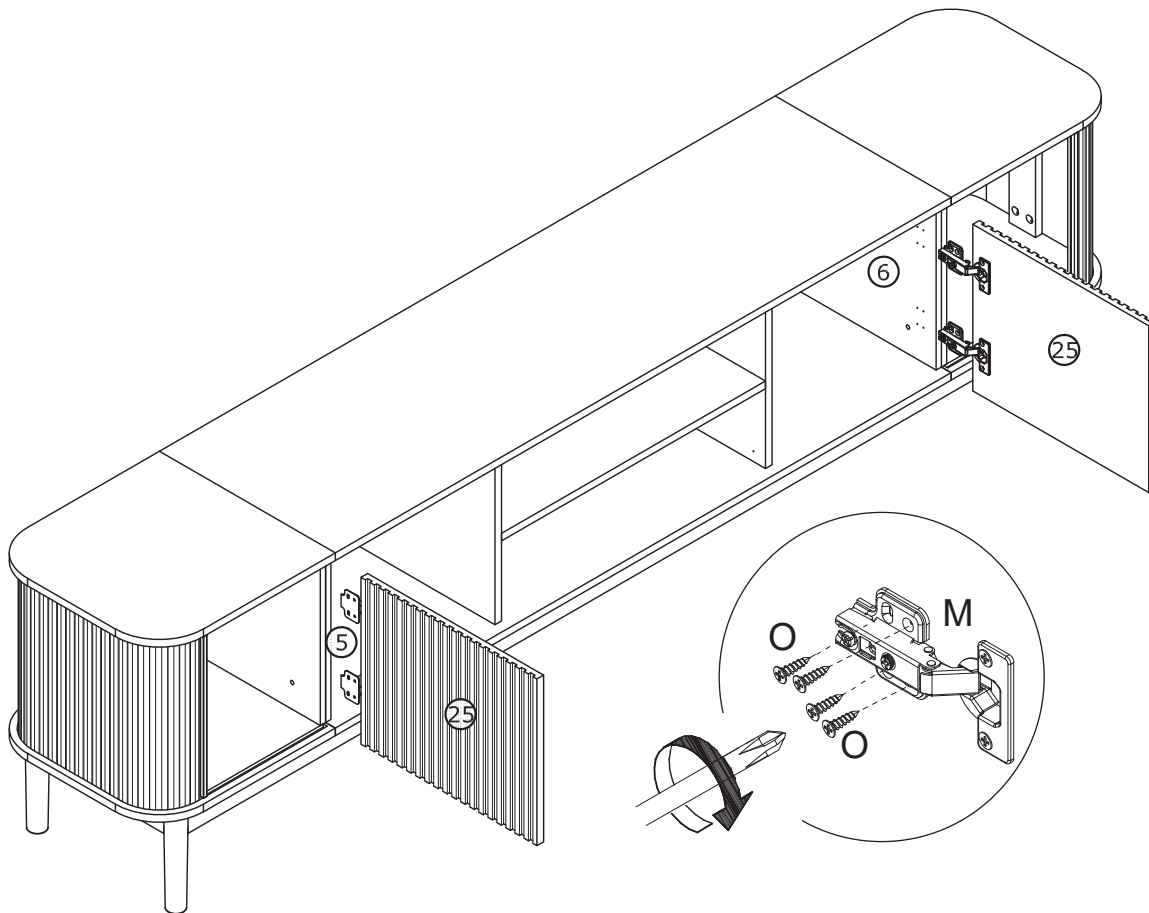
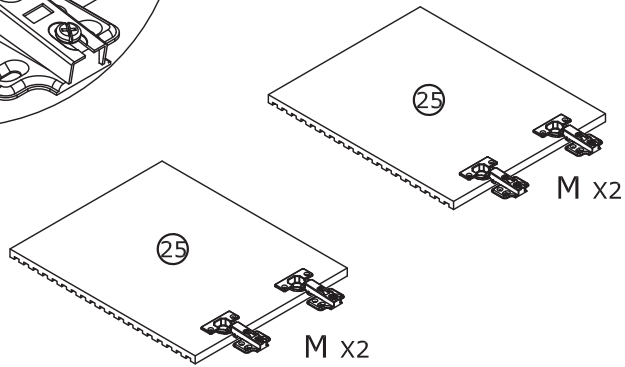
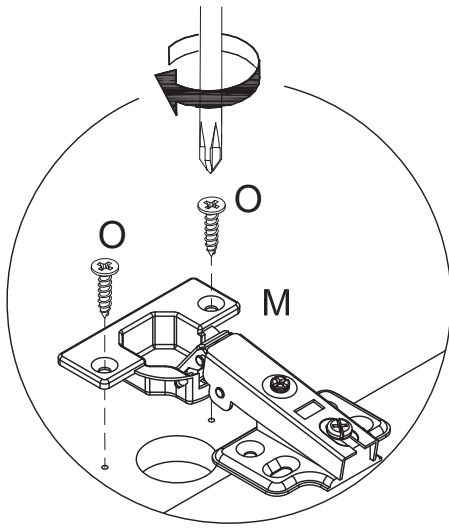


STEP 16

Fix hinge (M) to parts ②⑤ using screws Ø3.5*12mm, as shown.


Fix hinge (M) to parts ⑤⑥ using screws Ø3.5*12mm, as shown.

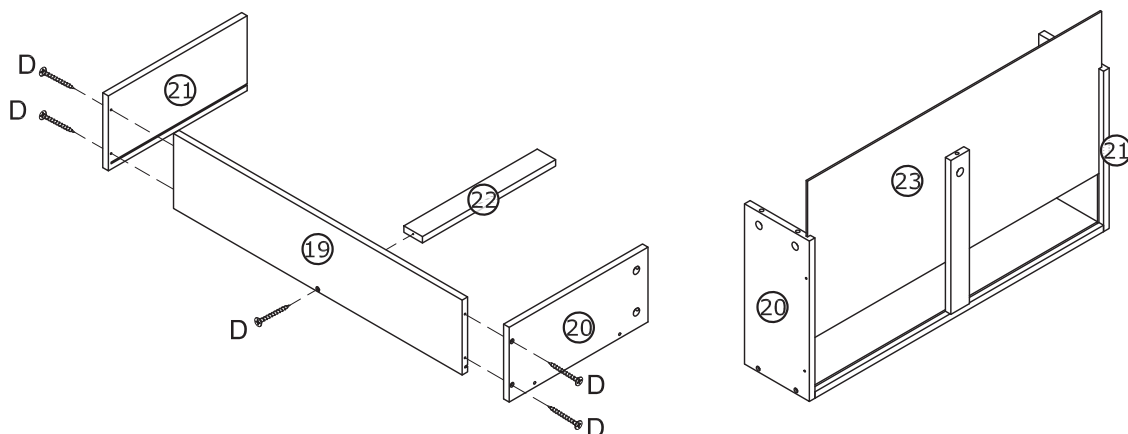
M	x4
	
O	x24
	
Ø3.5*12	



STEP17

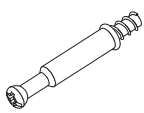
Connect the ①⑨ ②① ②② and ②③ plates with screw D.
Slide part ②③ into available slots of parts ②① and ②② as shown.

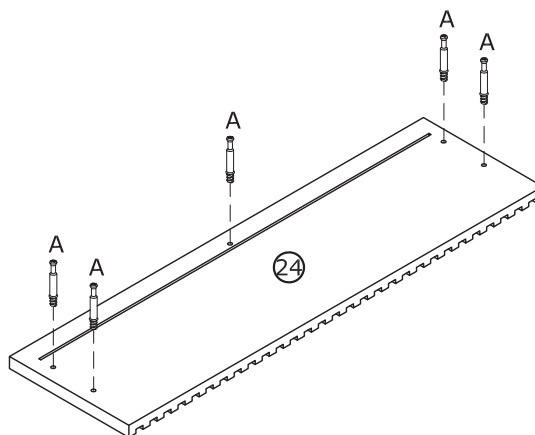
D	x5
	
Ø4*40	



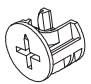
STEP18

Insert quickfit screws(A) into corresponding holes in part ②④ as shown.

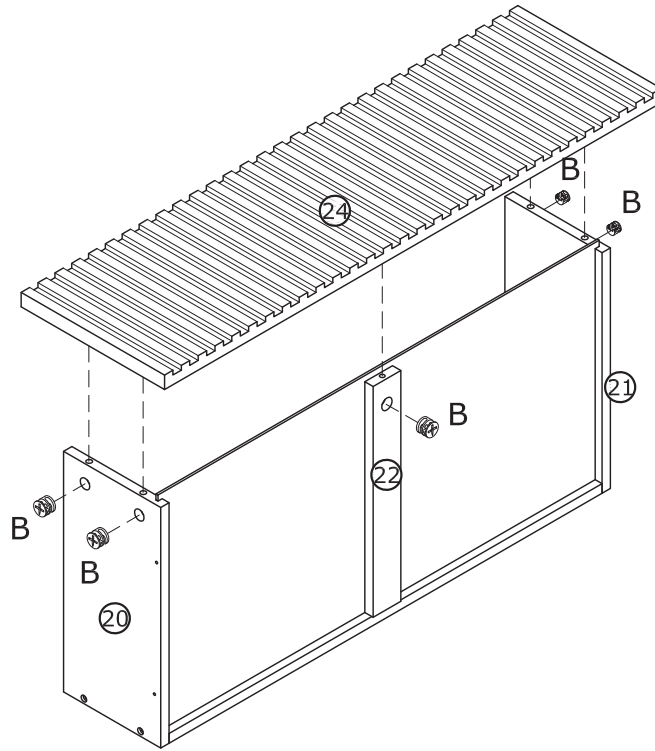
A	x5
	
M6*35	






STEP19

B	x5
	
Ø15*10	

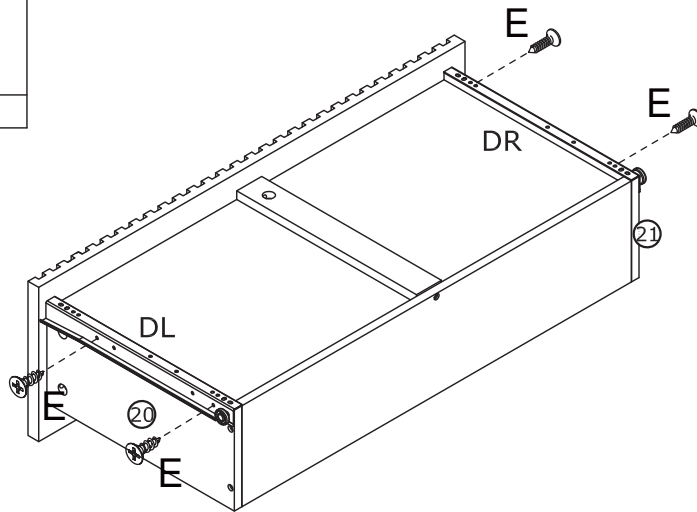
Insert cam locks(B) into parts ②① ②③ and attach parts ②④ as shown. Turn cam locks clockwise to tighten.



STEP20

DL	x1	E	x4
			
300MM		Ø3*12	
DR	x1		
			
300MM			

Fix left inner drawer runner (DL) to part ②① and fix right inner drawer runner (DR) to part ②③ using screws (E), as shown.



STEP21

The drawer slides must be aligned with the internal rails, otherwise the drawer will tilt.

