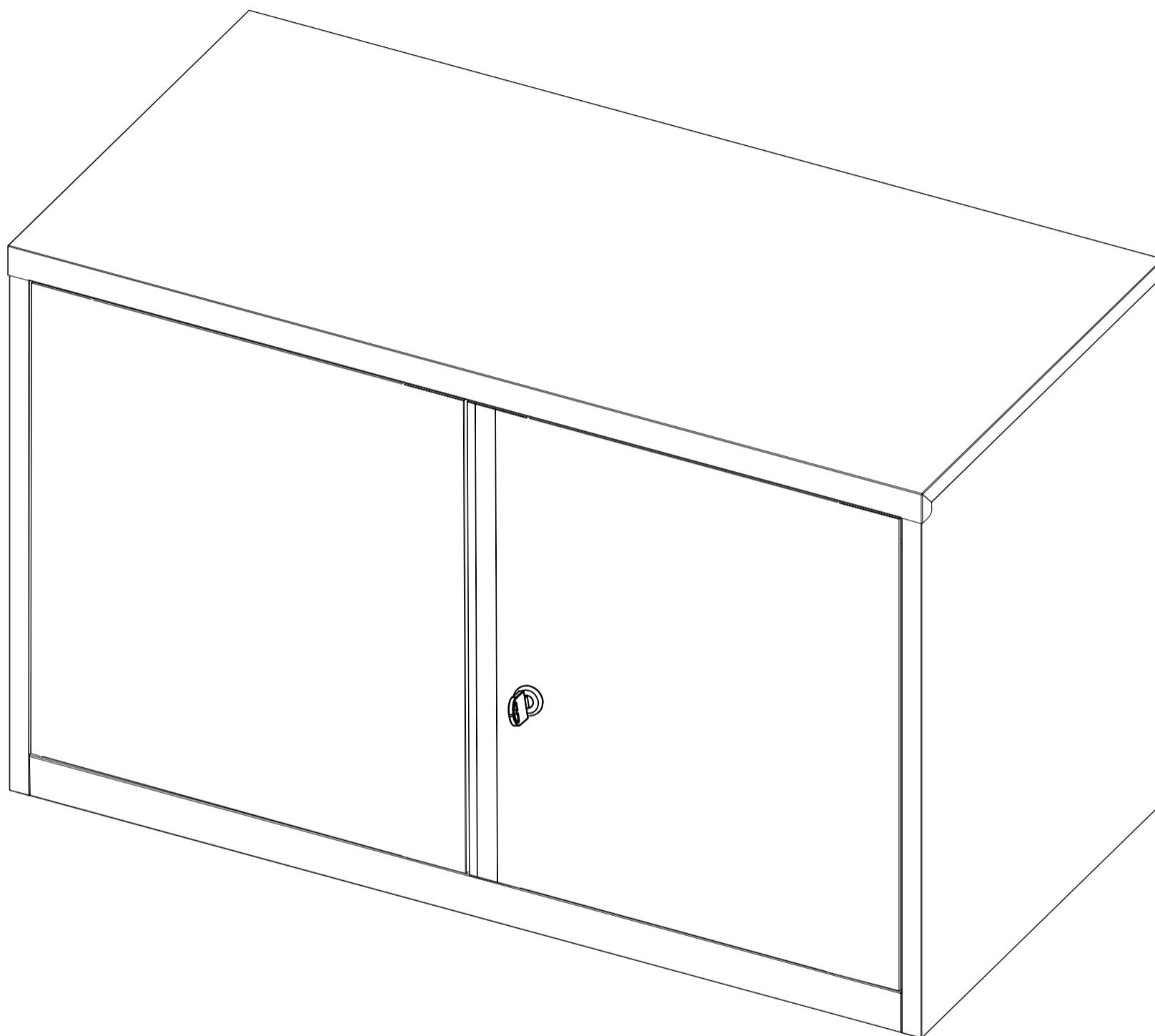
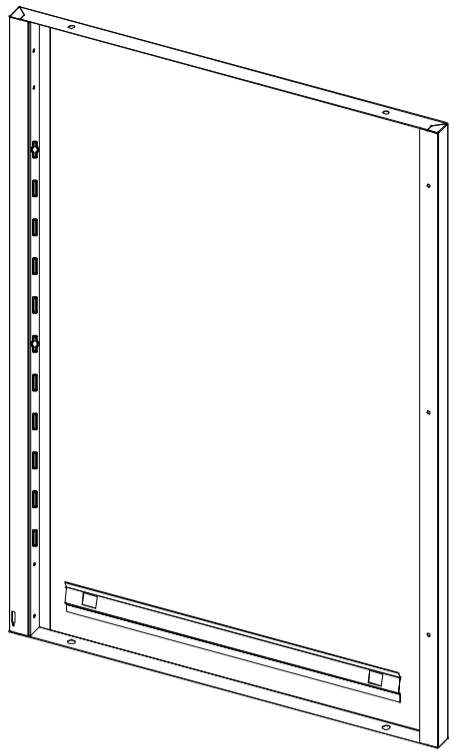


Thank you for choosing our products. Before installing, please carefully read the installation manual and watch the installation video available on our website or scan the QR code. If you encounter any installation issues or have other concerns, feel free to contact our after-sales team for assistance.

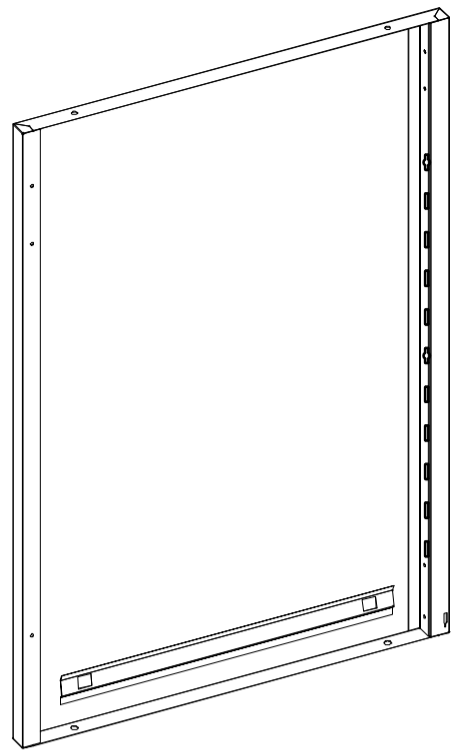


Please scan the QR code to check the assemble video

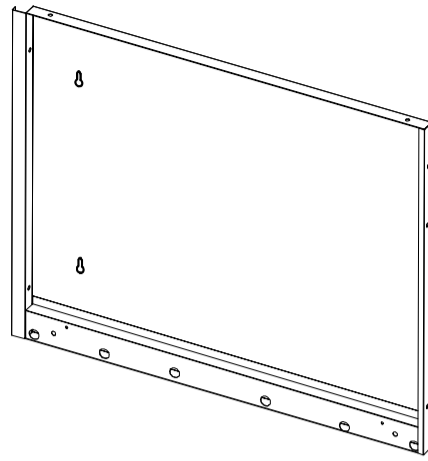
A×1



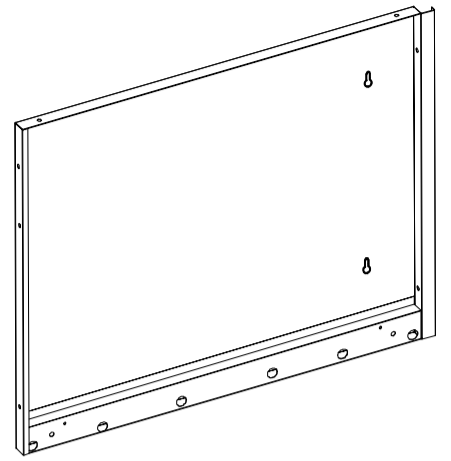
B×1



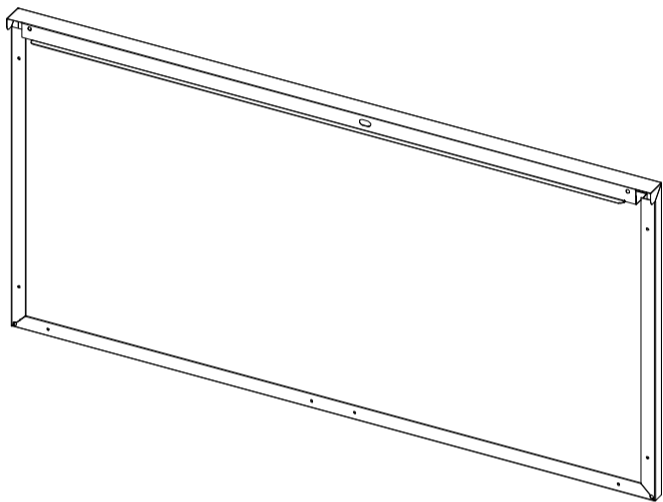
C×1



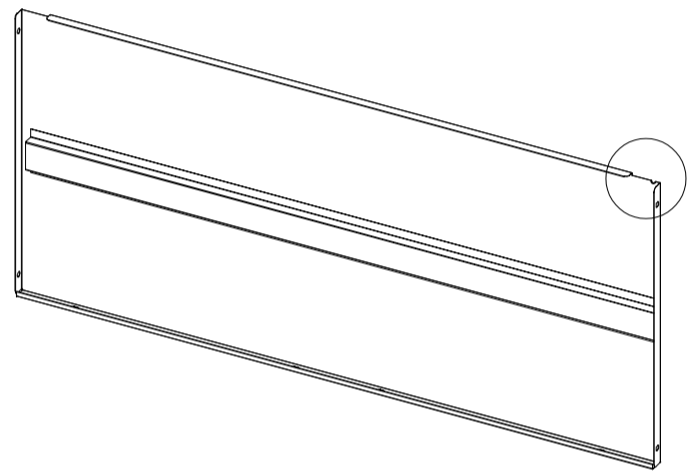
D×1



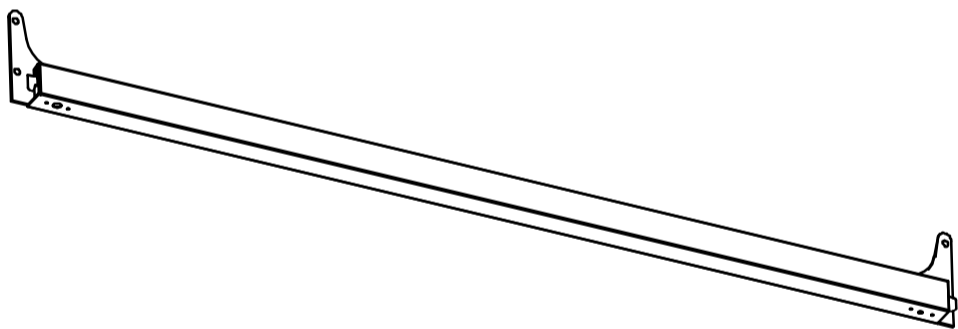
E×1



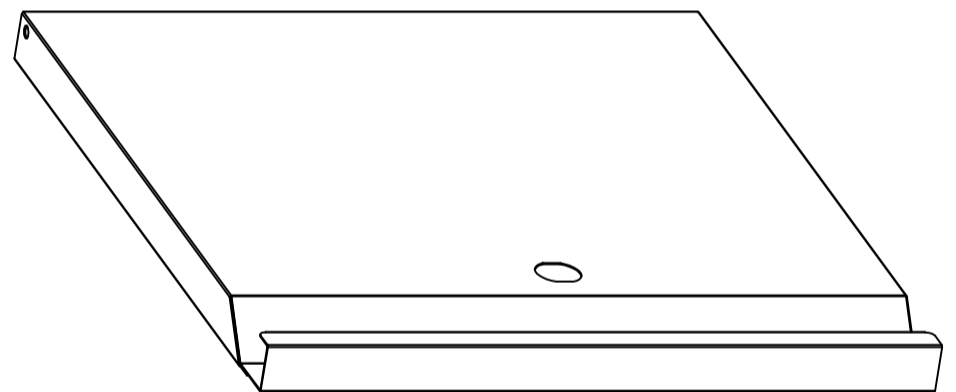
F×1



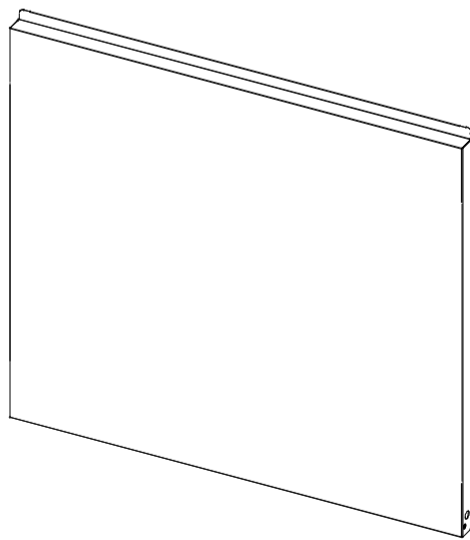
H×1



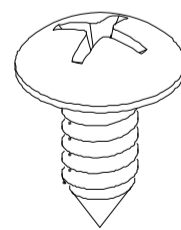
I×1



J×1

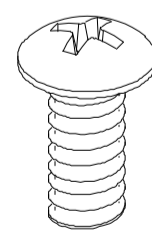


L×18



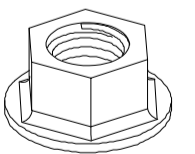
M5\*12

M×2



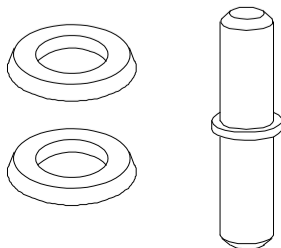
M5\*10

N×2

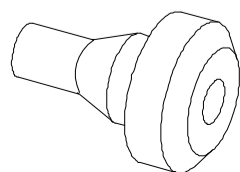


M5

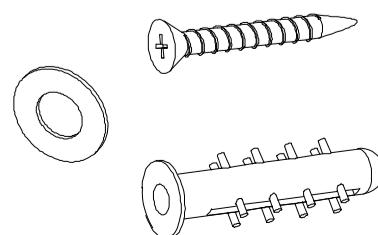
O×2



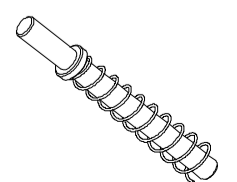
Q×2



R×4

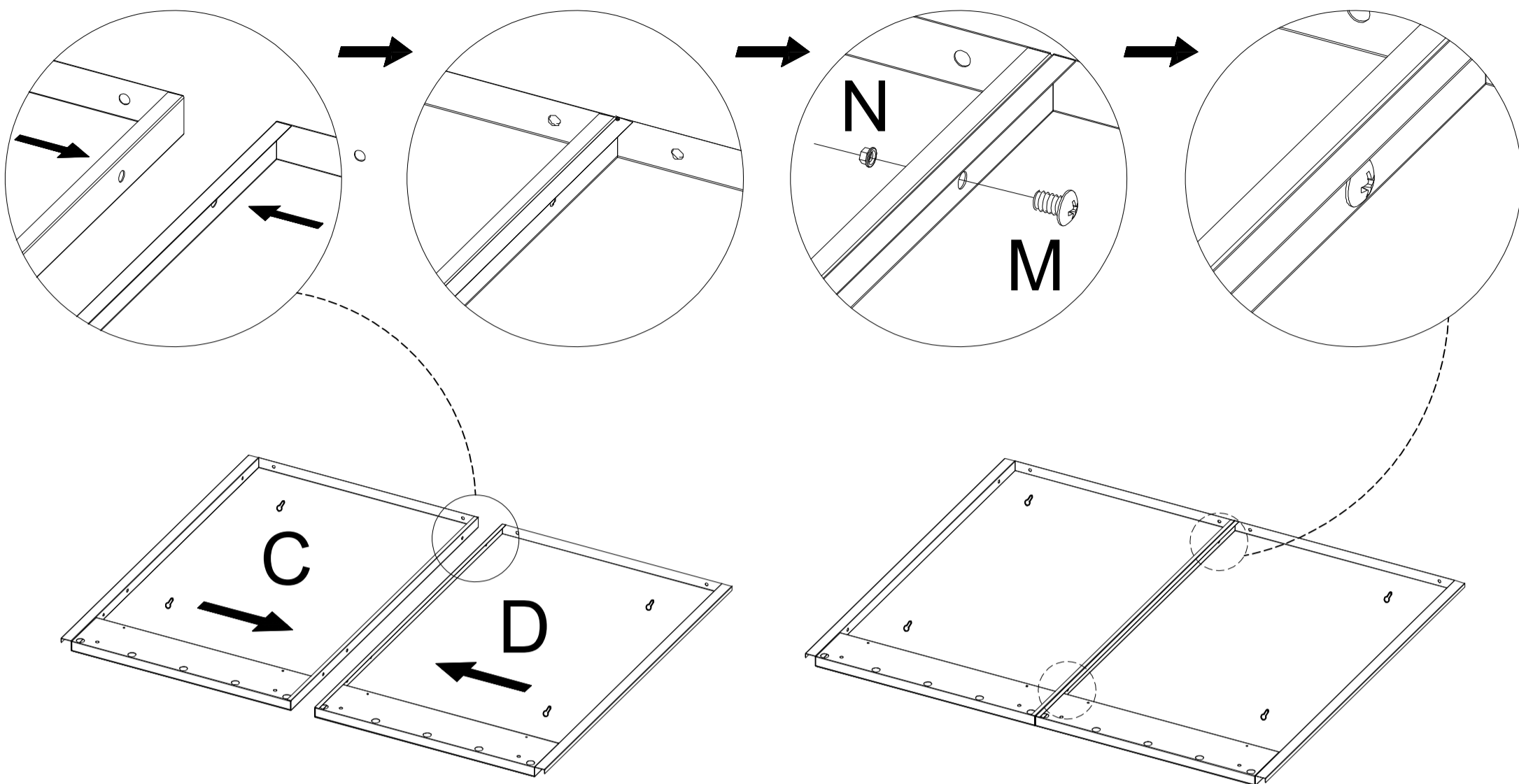


U×1



Standby Application

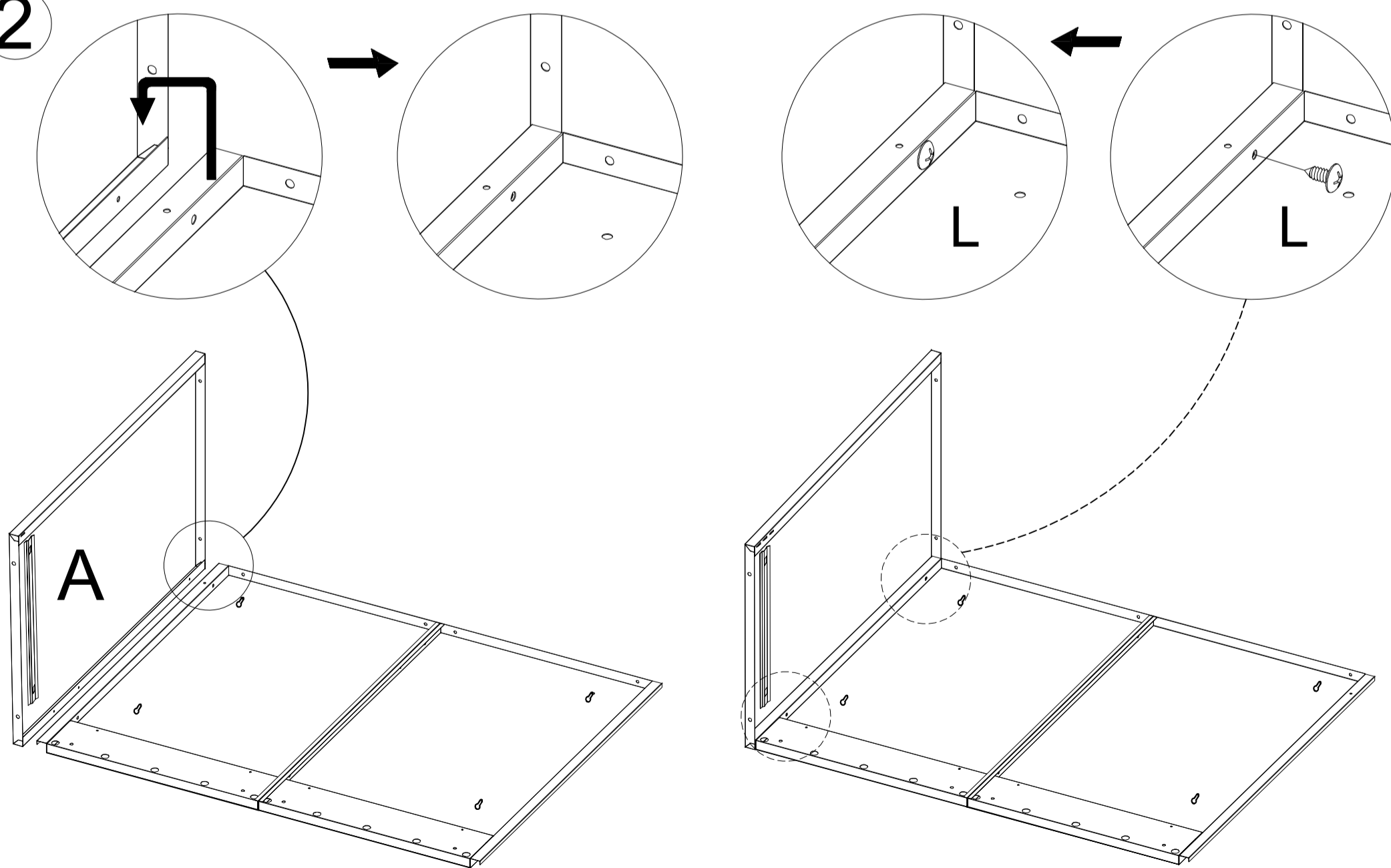
1



M×2  
N×2

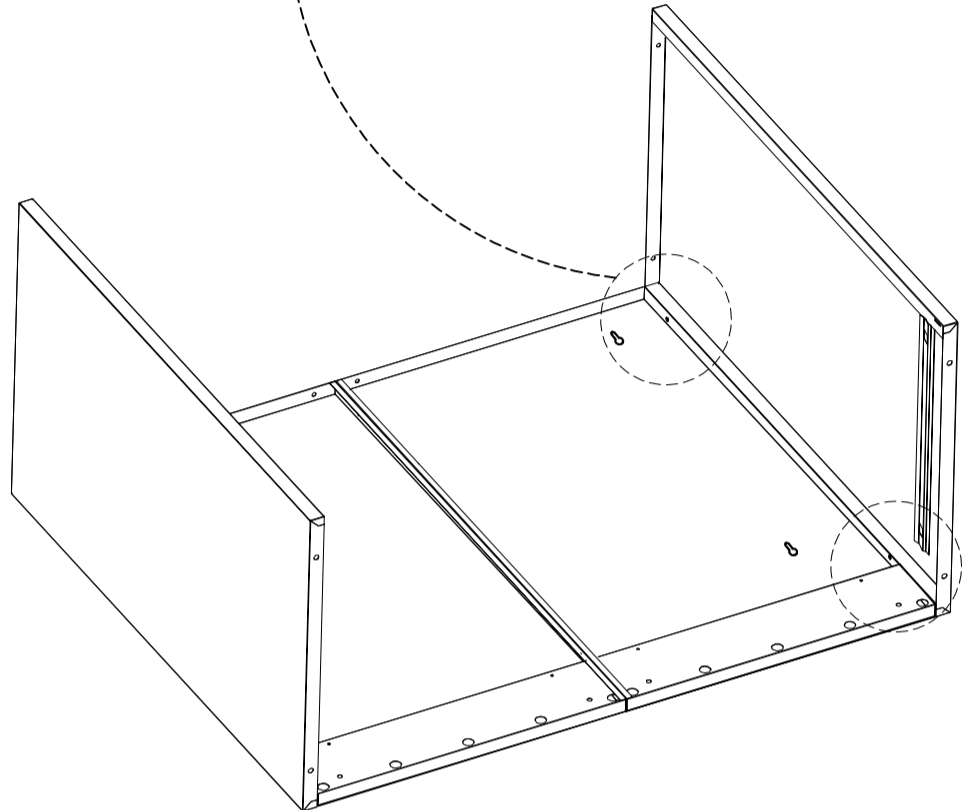
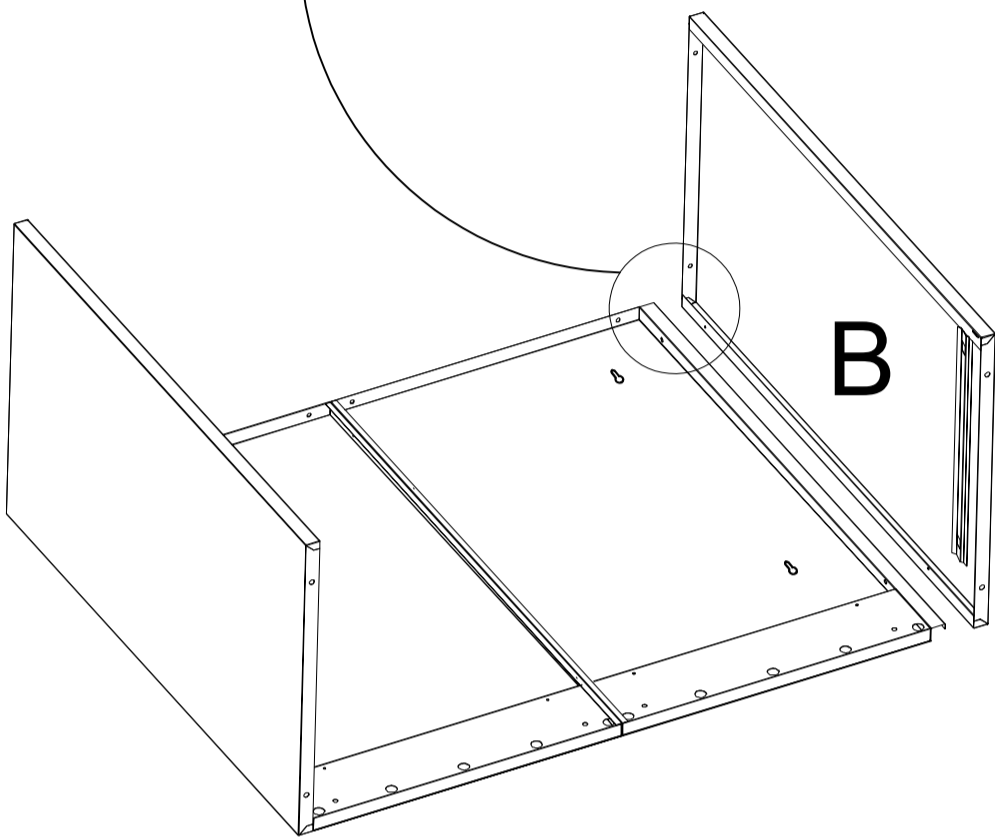
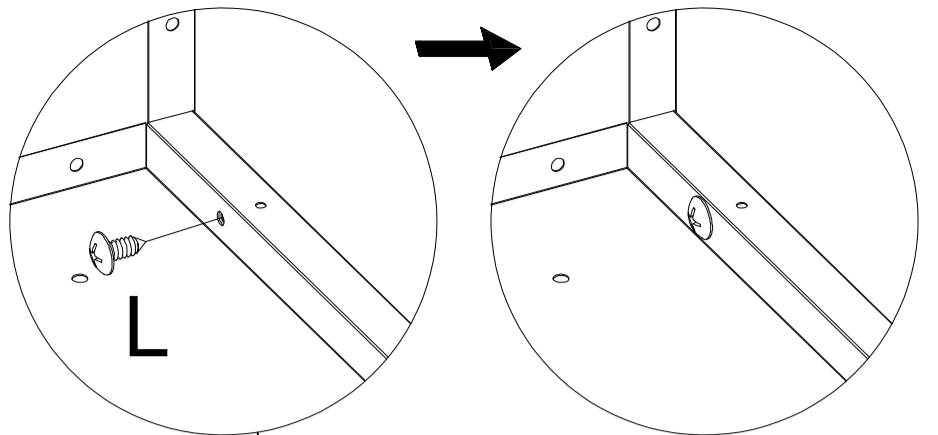
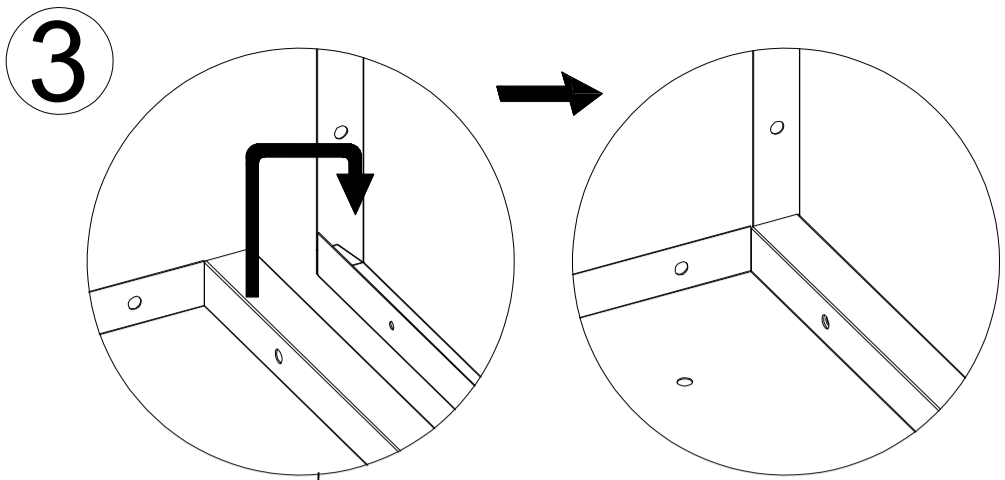
1. Assemble C and D, secure with screws M and N

2



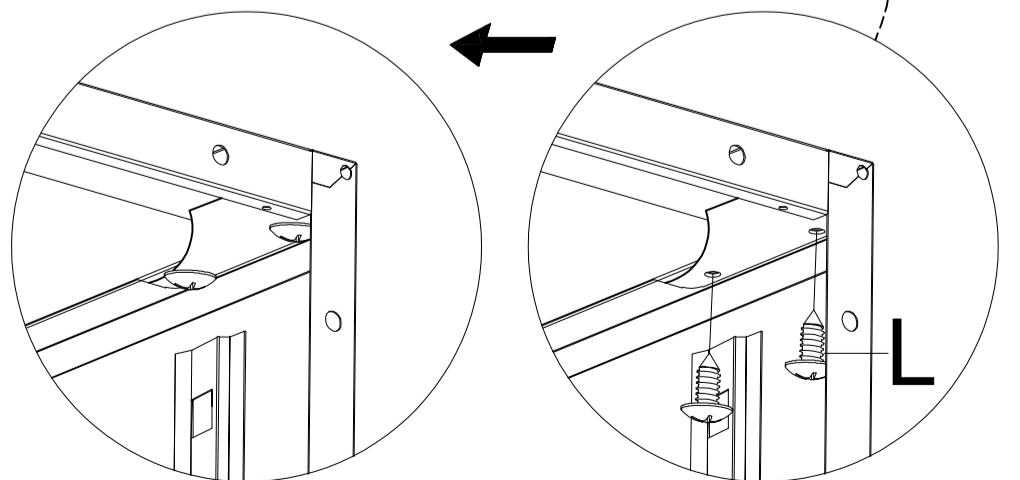
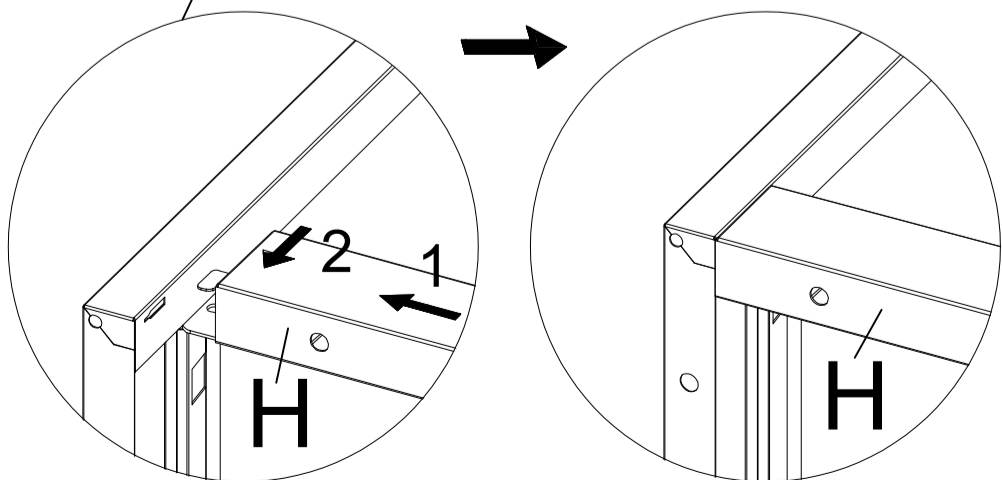
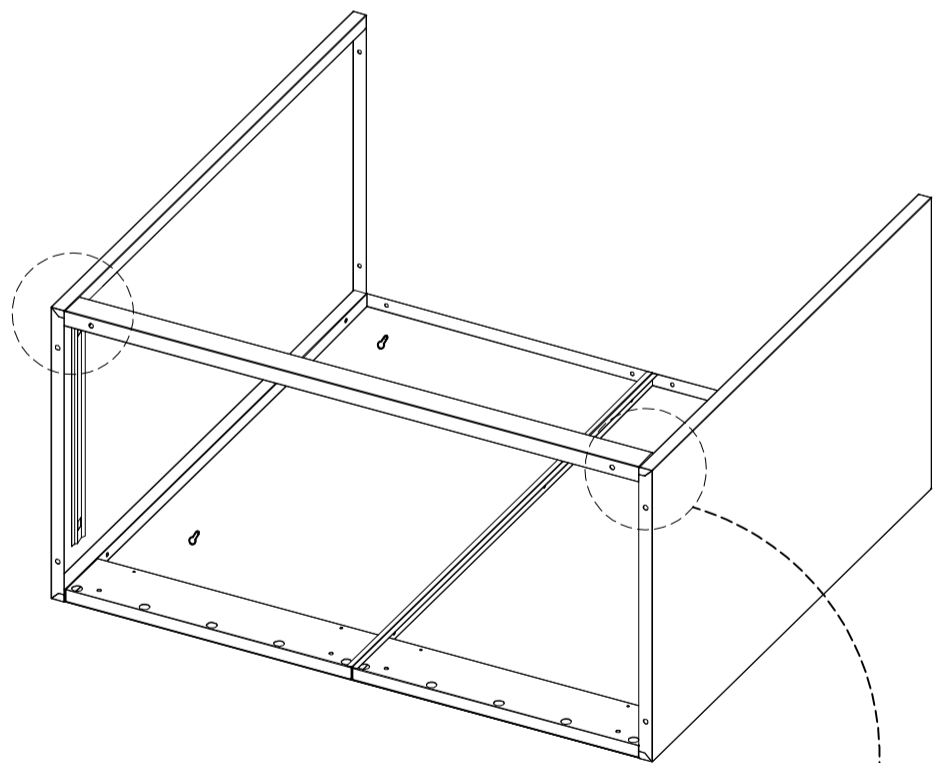
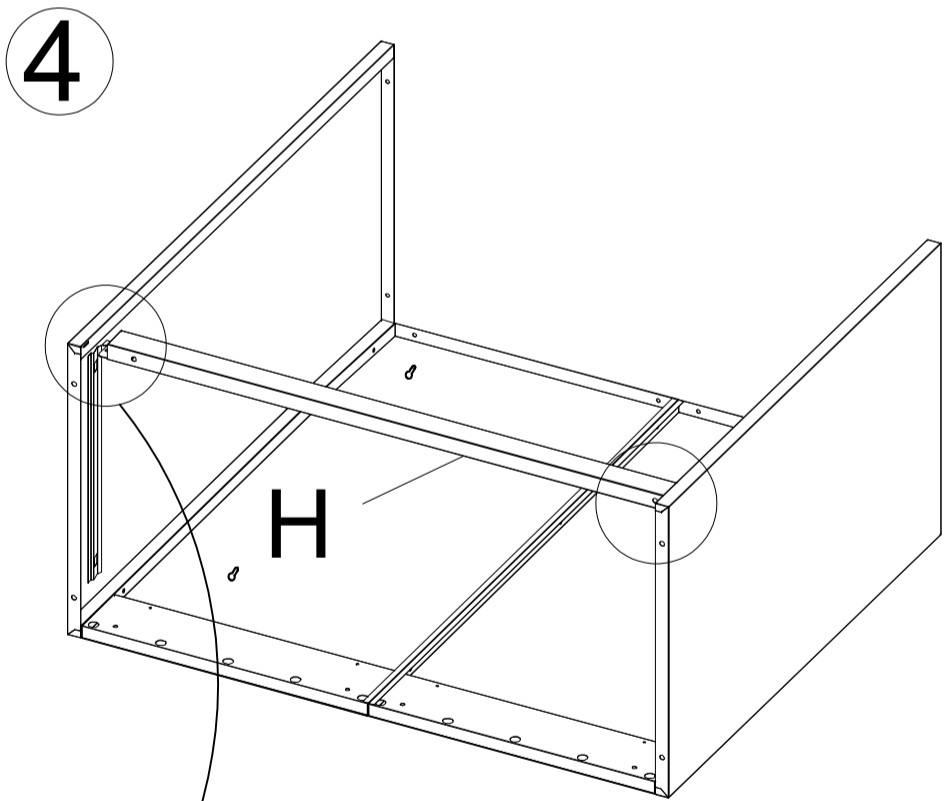
L×2

2. Install A, secure with screw L



3. Install B, secure with screw L

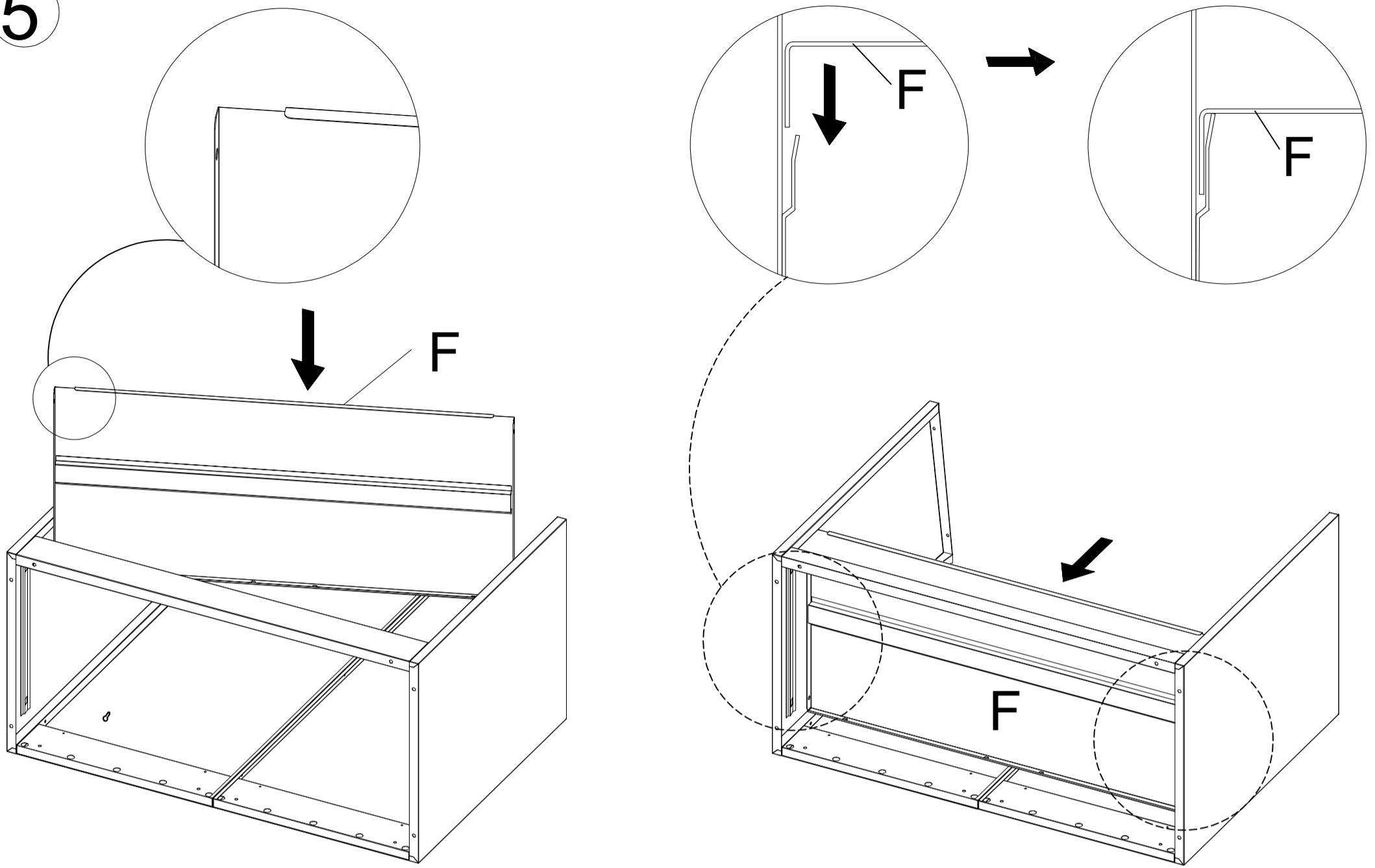
L×2



4. Install H, secure with screw L

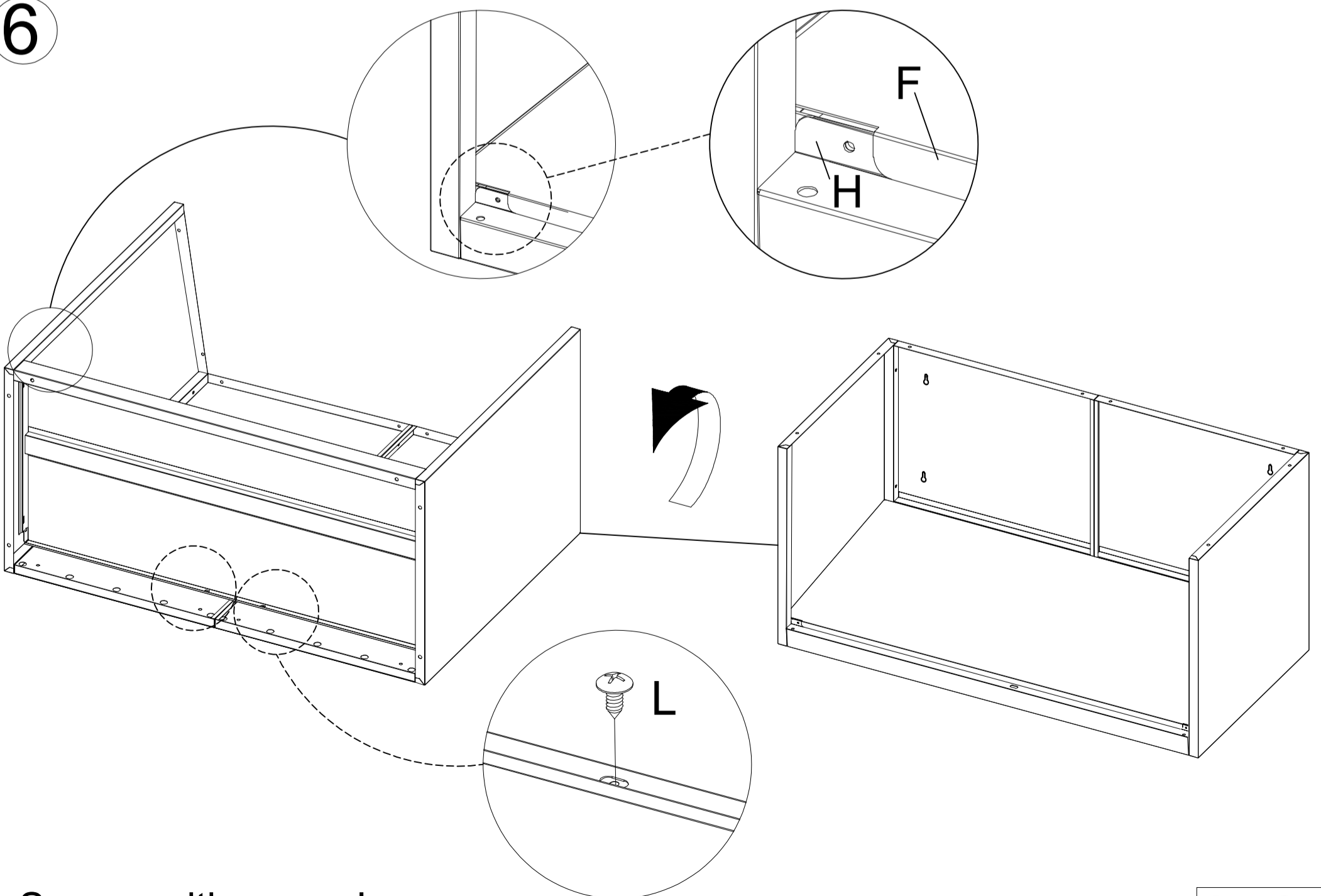
L×4

5



5. Install F

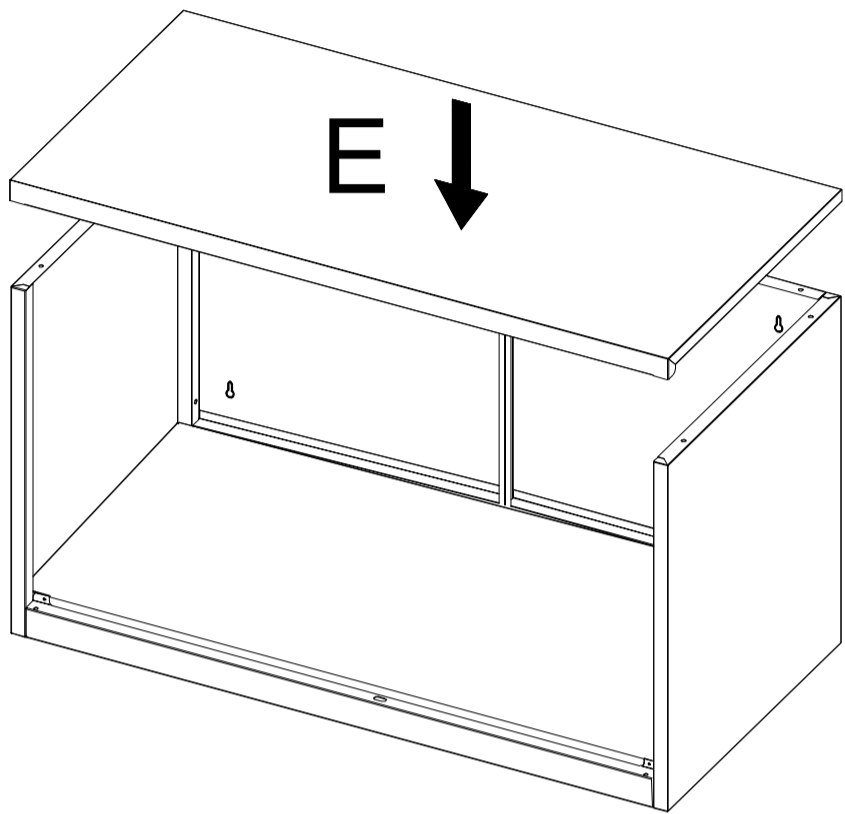
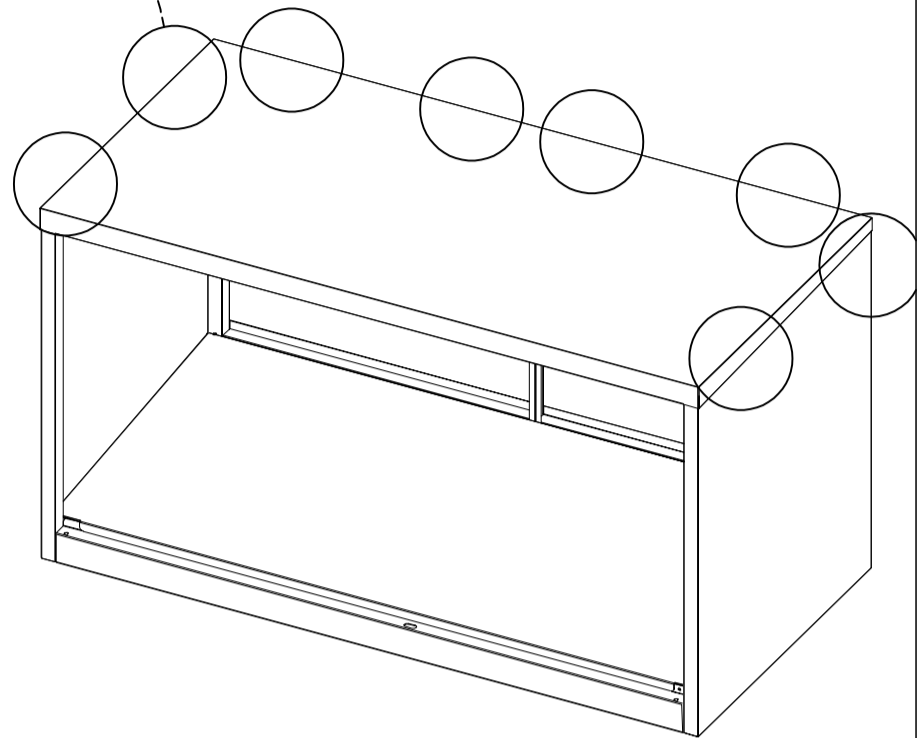
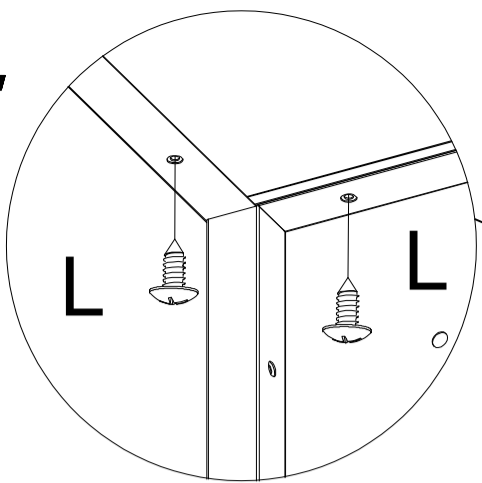
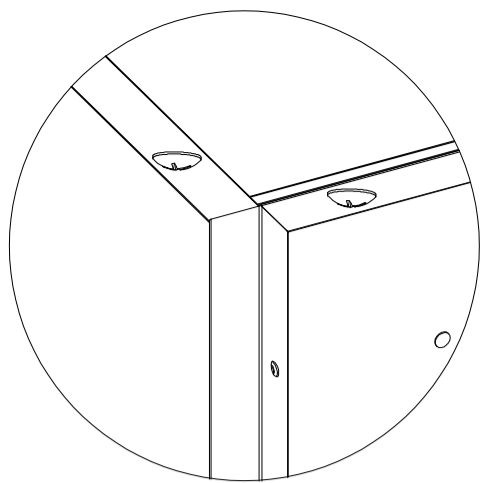
6



6. Secure with screw L

Lx2

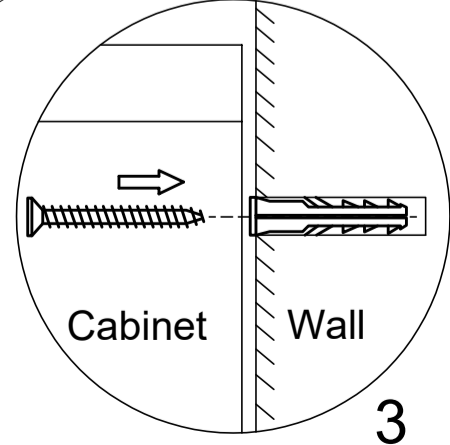
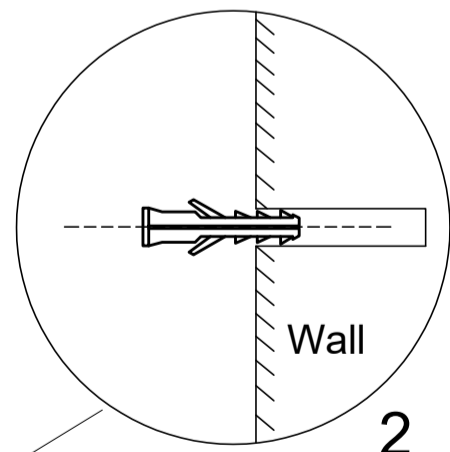
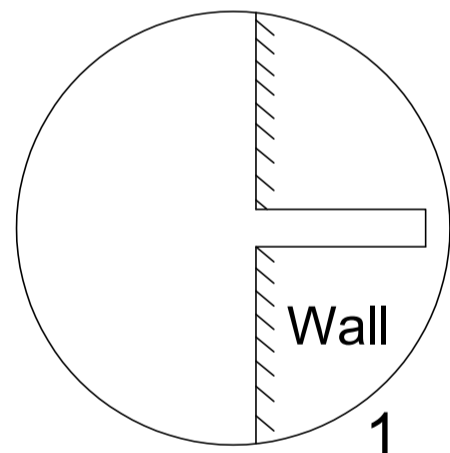
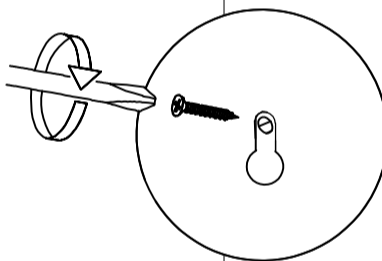
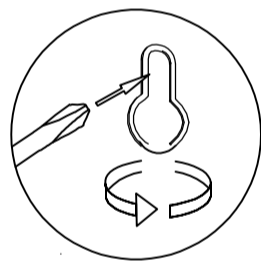
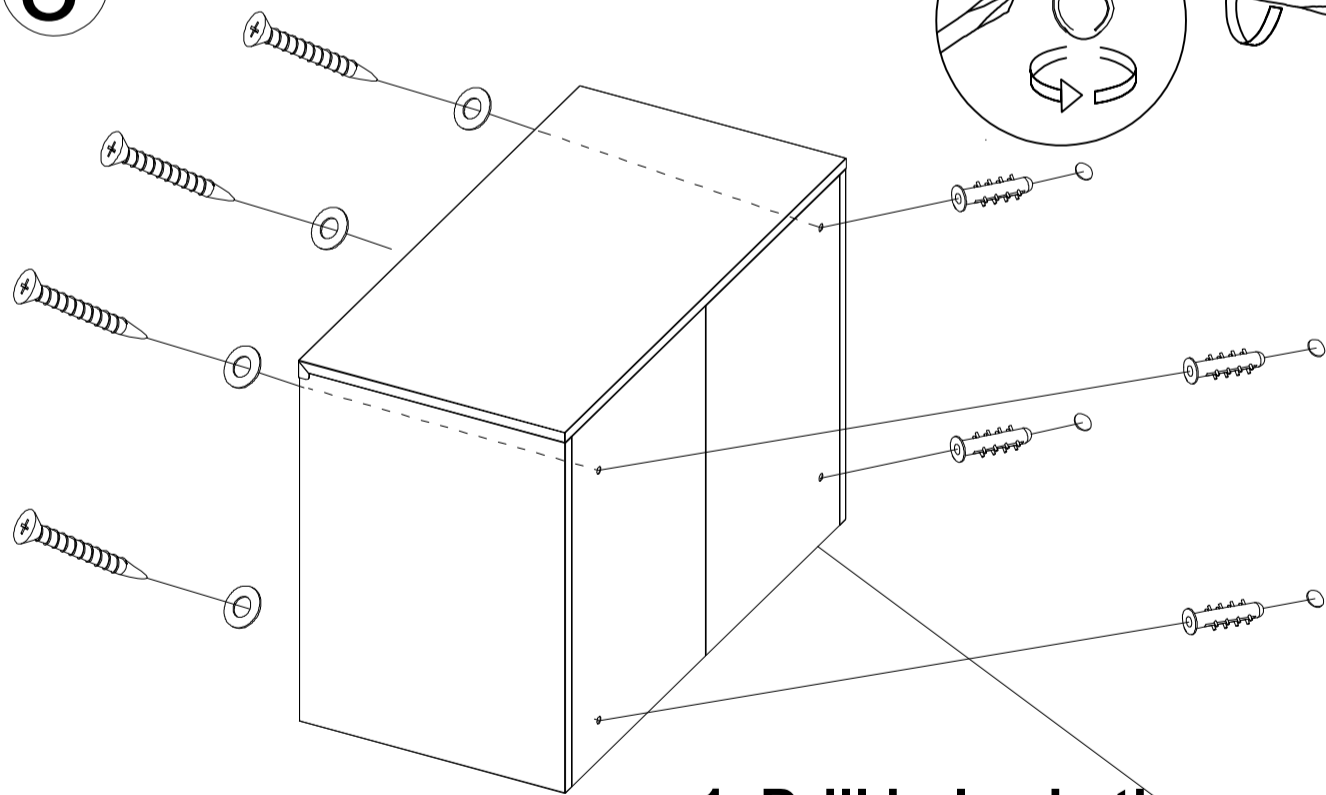
7



7. Install E, secure with screw L

L×8

8



1. Drill holes in the corresponding positions on the wall

2. Install N in the hole

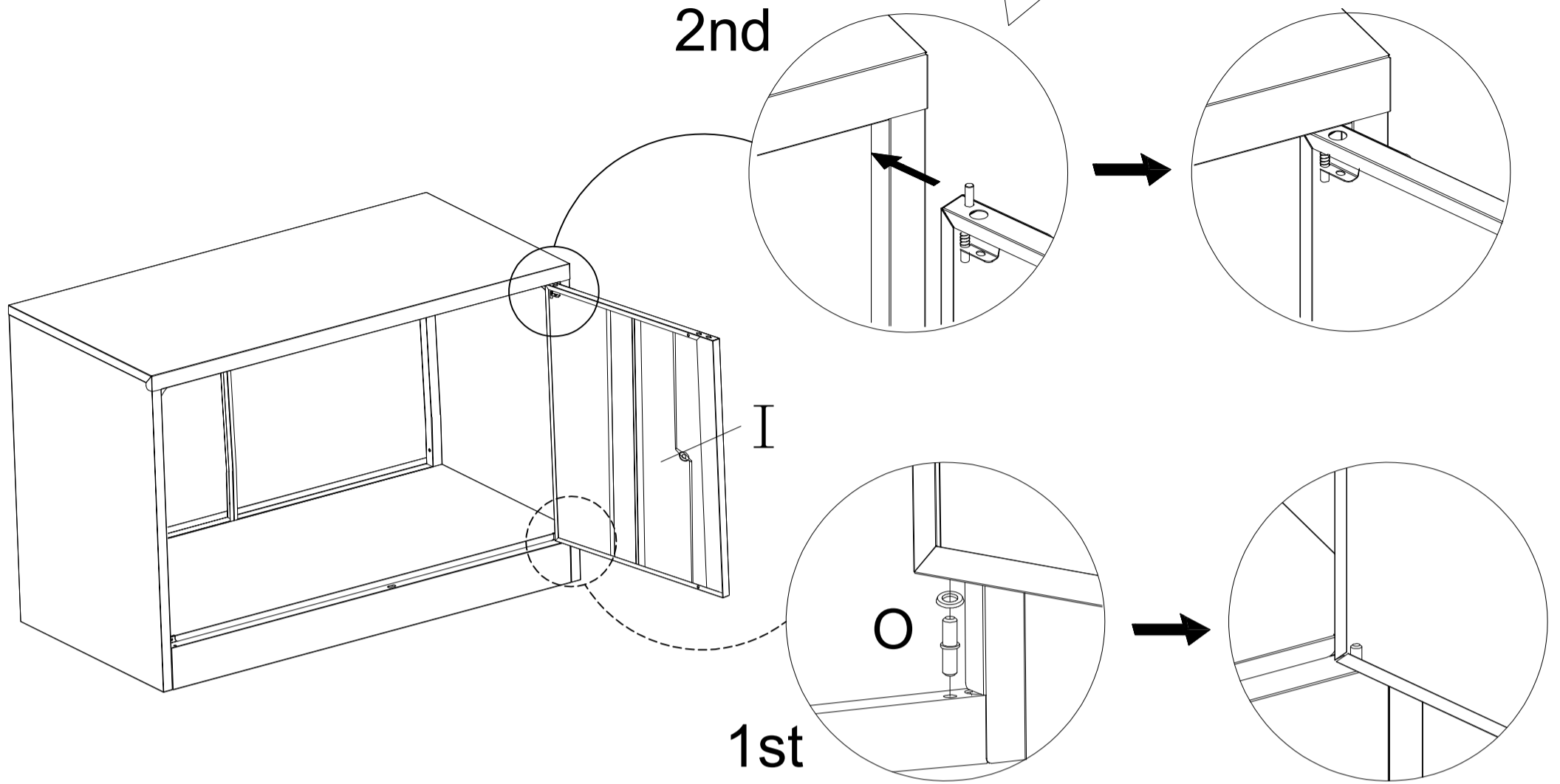
3. Install N, fasten the cabinet to the wall

8. Install E, secure with screw L

R×4

9

If the spring shaft is lost, spare parts U can be used.

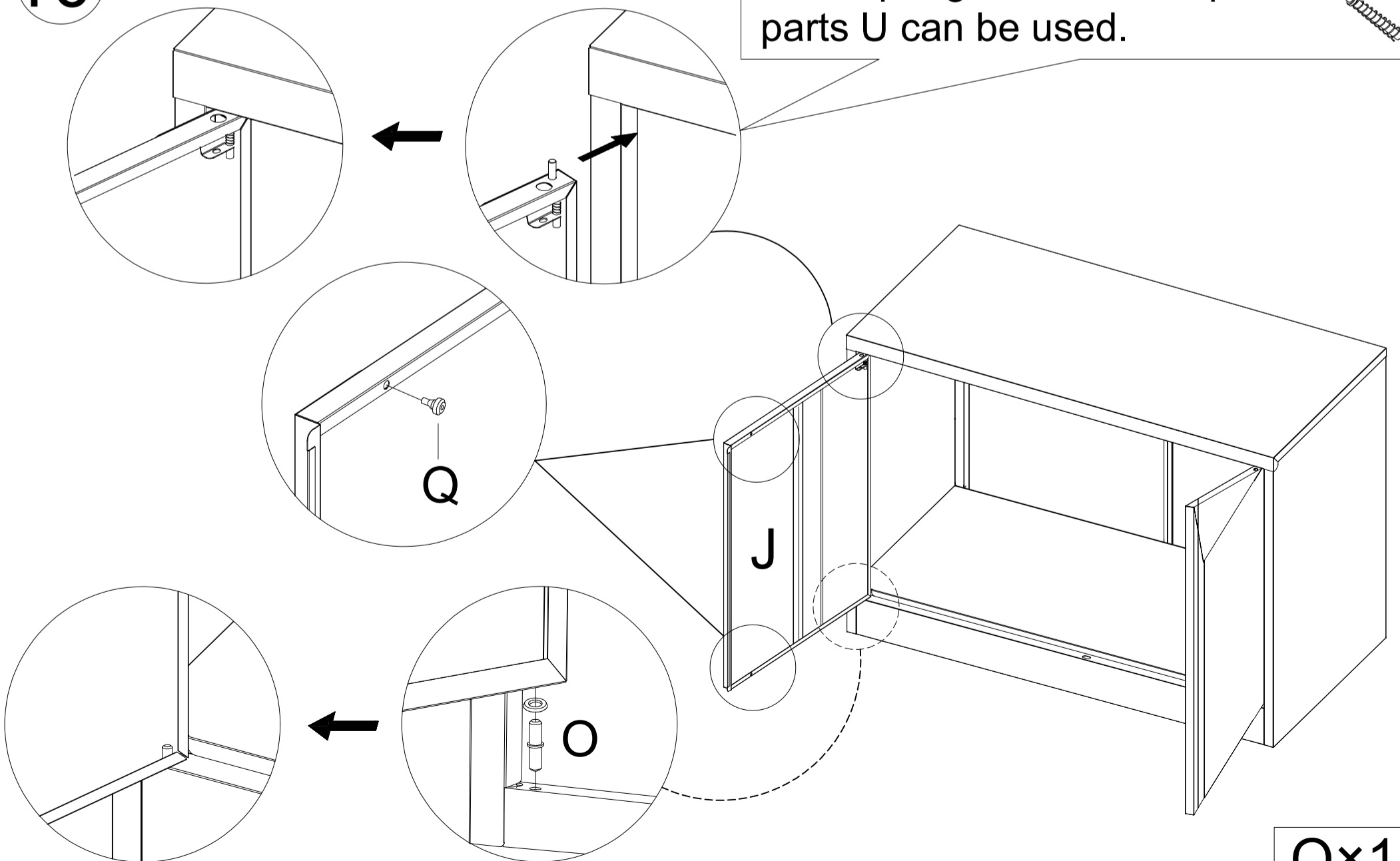


9. Install I, O and Q

O×1
Q×2

10

If the spring shaft is lost, spare parts U can be used.



10. Install J, O and Q

O×1
Q×2