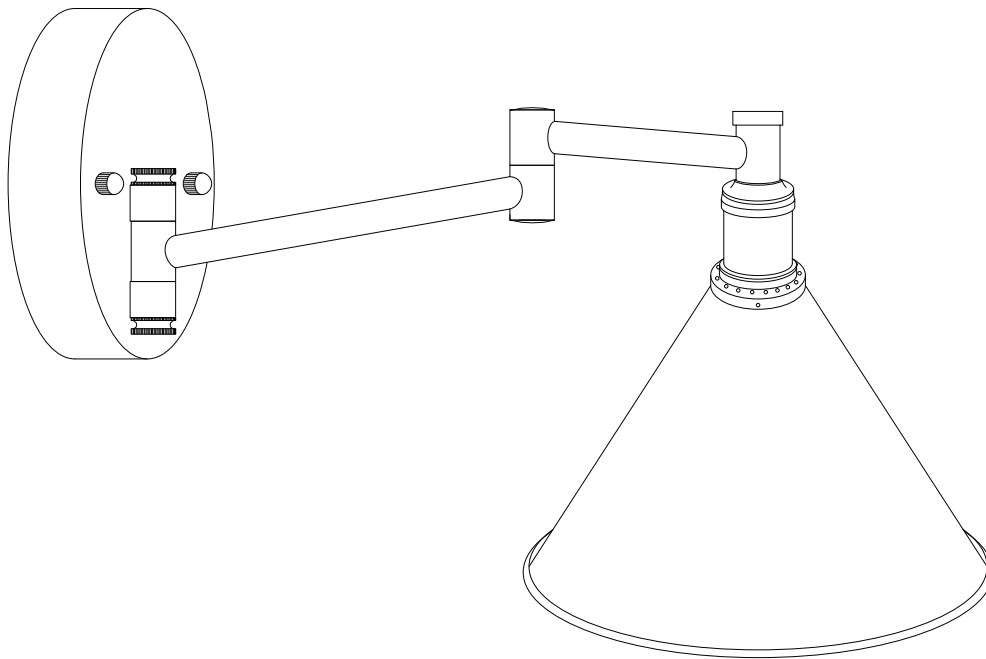


WARNING (To reduce the risk of fire, electric shock, or injury to persons):

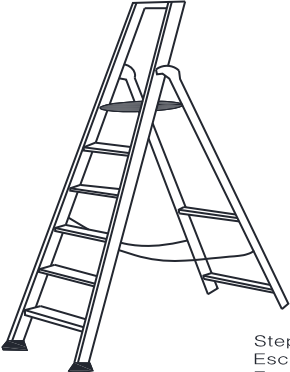
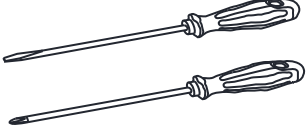

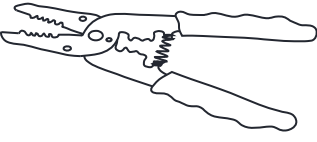
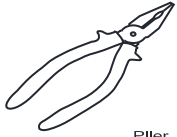
1. We suggest installation by a licensed electrician.
2. Please read the instruction carefully and save it as you may need it at later time.
3. Before you start, NEVER attempt any work without shutting off the electricity until the work is done. A). Go to the main fuse, or circuit breaker, box in your home. Place the main power switch in the "OFF" position. B). Place the wall switch in the "OFF" position.
4. Mounting surface should be clean, dry, flat, strong enough and 1/4" larger than the canopy on all side. Any gaps between the mounting surface and canopy exceeding 3/16" should be corrected as required.
5. Make sure that the ceiling or wall can stand the weight of the lamp before fixture.
6. Make sure the voltage you are using is 120V. The maximum wattage is 60W per bulb.
7. Keep the lamp away from acidic and basic objects in case of damaging the surface of the lamp.
8. When replacing bulb, you should turn off or unplug the lamp and you must wait until it is cool as bulbs get hot quickly.
9. The safety instructions appearing in this manual are not meant to cover all possible conditions that may occur. It must be understood that common sense, caution and care must be used with any electrical products.

IMAGE FOR FINISHED PRODUCT :



TOOLS REQUIRED (NOT INCLUDED):

Before doing assembly and installation please prepare the needed tools as below picture

 <p>Step Ladder Escabeau Escalera</p>	 <p>Phillips Head, Flat Blade Screwdrivers Tournevis à tête Phillips et à tête plate Destornilladores Cabeza Phillips y Destornilladores Cabeza Plana</p>	 <p>Electrical tape Ruban isolant Cinta Eléctrica.</p>
	 <p>Wire Cutter/Stripper Pince coupe-fil/ à dénudé Cortador de Cable</p>	 <p>Plier Pince Alicates</p>

Please read the instruction before assembling

This product supports plug-in or external box connection. Please choose one of the following installation methods according to your requirements.

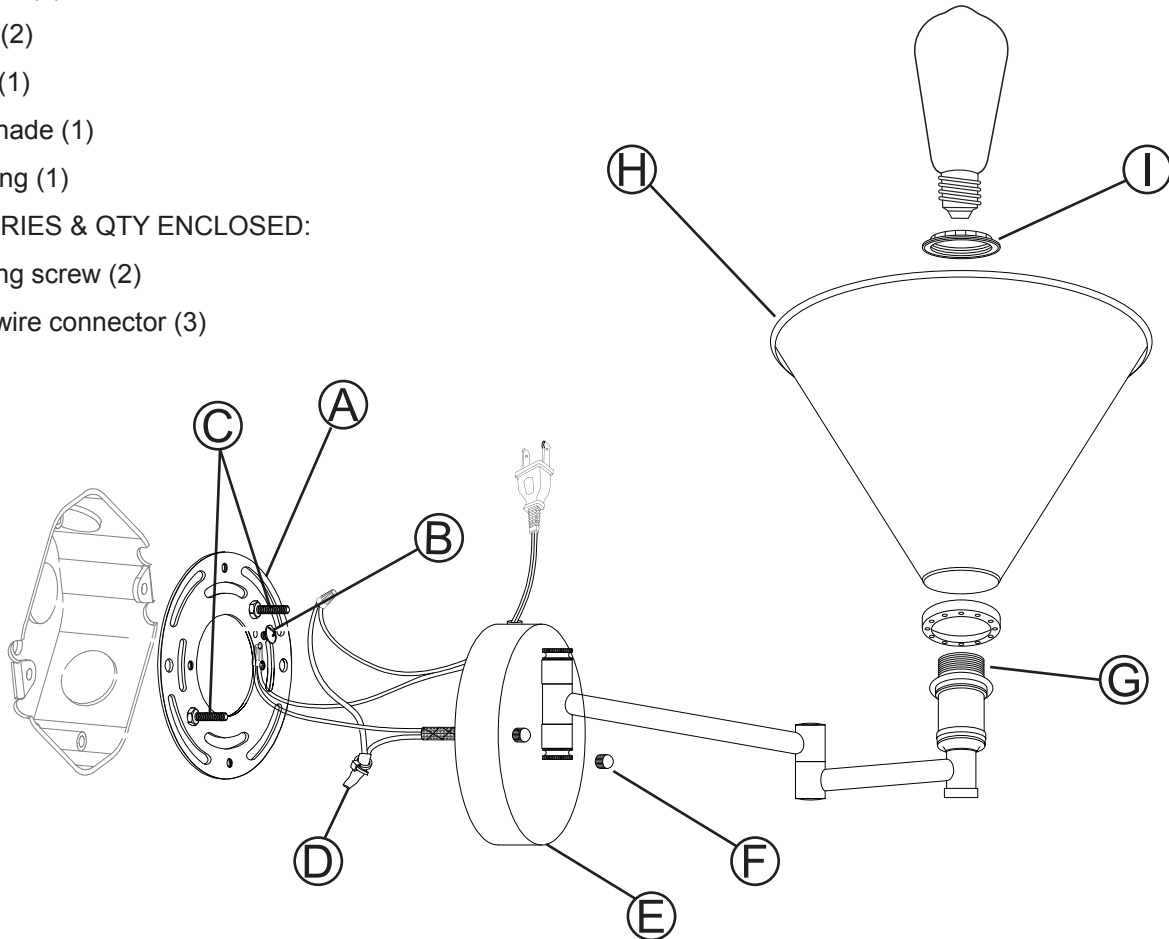
Please note: the two installation methods cannot be used simultaneously;

PARTS TYPE & QTY INCLUDING:

- (A) Mounting plate (1)
- (B) Green ground screw (1)
- (E) Backplate (1)
- (F) Ball nut (2)
- (G) Socket (1)
- (H) Lampshade (1)
- (I) Socket ring (1)

ACCESSORIES & QTY ENCLOSED:

- (C) Mounting screw (2)
- (D) Plastic wire connector (3)



ASSEMBLY & INSTALLATION INSTRUCTIONS:

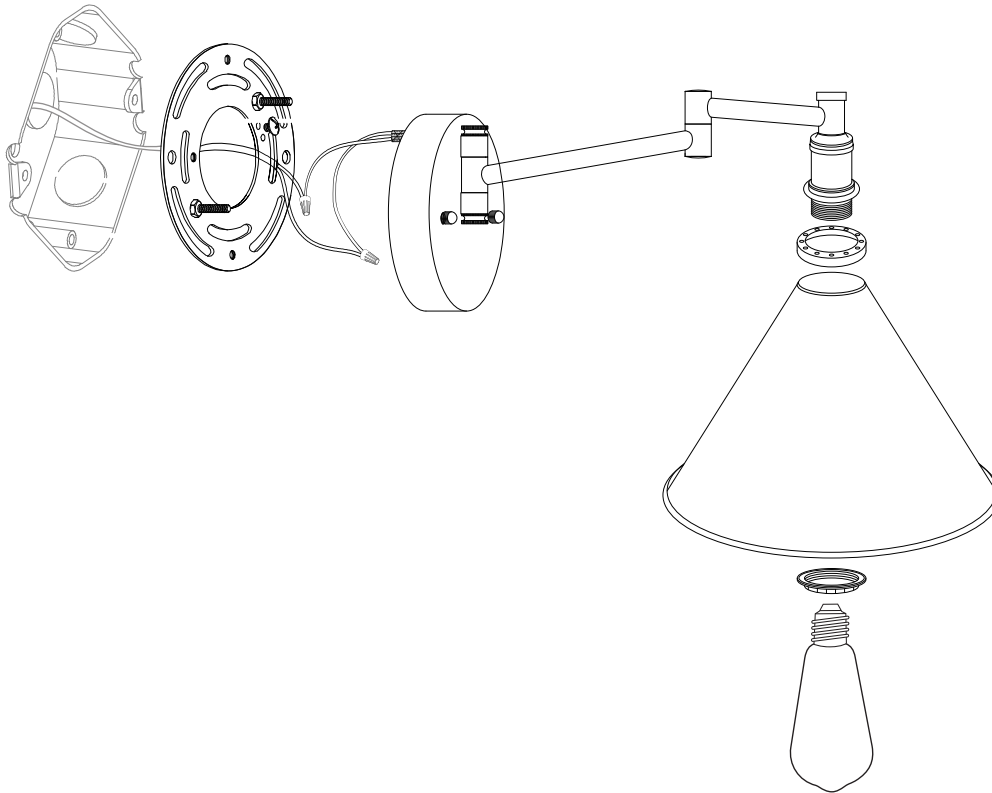
1. Carefully remove the fixture from the carton and check that all parts and accessories
2. Turn off power
3. Make installation

- (1) Unscrew the ball nuts (F) from backplate (E) then carefully remove the mounting plate (A) from backplate (E)
- (2) Fix the mounting plate (A) on the wall in the desired position
- (3) Put the backplate (E) onto the screws and secure with ball nuts (F)
- (4) Install bulb (Not included. Please do not exceed the maximum capacity recommended on the socket.)

PLUG THE POWER CORD INTO AN OUTLET AND TURN ON AT SWITCH

1. OUTLET BOX INSTALLATION:

2. IF CONNECTED TO THE OUTLET BOX. PLEASE FOLLOW THE FOLLOWING INSTRUCTIONS. PLEASE REMOVE THE POWER CORD FIRST (PLEASE REFER TO THE "REMOVE THE POWER CORD" INSTRUCTION)



1. Carefully remove the fixture from the carton and check that all parts and accessories

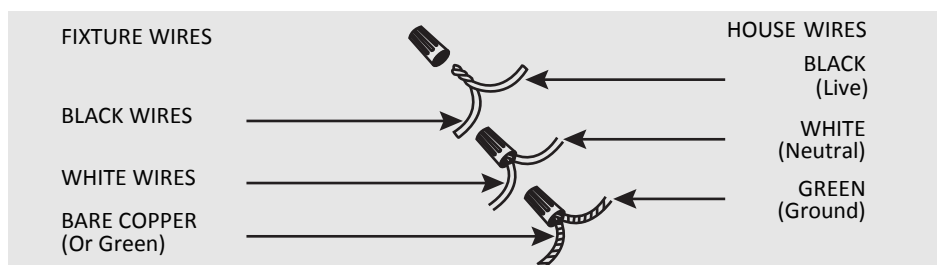
2. Turn off power

3. Remove power cord; Make installation

(1) Unscrew the ball nuts (F) from backplate (E) then carefully remove the mounting plate (A) from backplate (E)

(2) Carefully pass the wires from outlet box through the mounting plate (A) , then attach the mounting plate (A) to outlet box with mounting screws (C)

(3) Carefully and gently pull the wires. The black wire and white wire are connected with your live-wires and neutral wire



(4) Make wire connections , then twist plastic wire connector (D) until wires are tightly joined together, wrap each connector with approved electrical tape for more secure connection and carefully tuck all wires into the outlet box

(5) Put the backplate (E) onto the screws and secure with ball nuts (F)

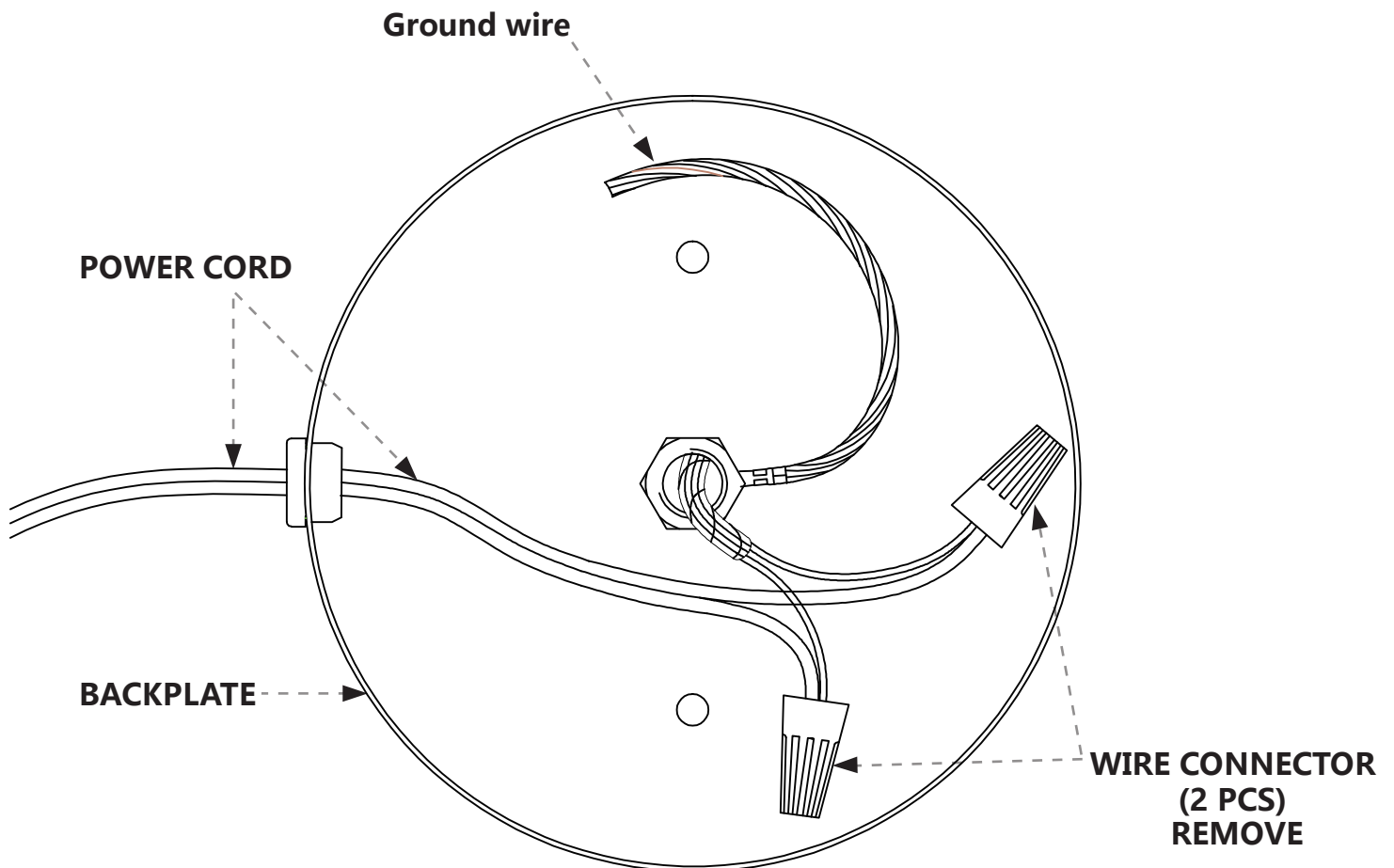
(6) then position decorative ring and the lampshade (H) onto the socket (G) , secure with the socket ring (I) .

(7) Install bulb (Not included. Please do not exceed the maximum capacity recommended on the socket.)

CLEANING

To clean, wipe fixture with a soft cloth. Do not use abrasive materials such as scouring pads or powders steel wool or abrasive paper.

REMOVING THE POWER CORD



REMOVING THE POWER CORD

THE POWER CORD IS THE WIRE THAT ENTERS THROUGH THE BOTTOM OF BACKPLATE

1.REMOVE THE (2) WIRE CONNECTORS THAT CONNECT TO POWER CORD BY TWISTING COUNTER CLOCKWISE (SEE DIAGRAM)

2.PULL POWER CORD OUT THROUGH BOTTOM OF BACKPLATE

3.FOLLOW OUTLET BOX INSTALLATION INSTRUCTIONS FOR WIRING TO AN OUTLET BOX