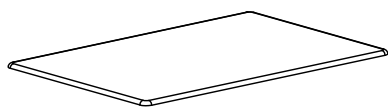
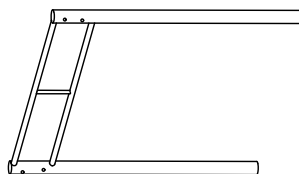


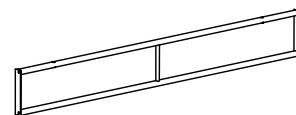
Please don't tighten the screws completely and go back later for a final tightening of all the screws after pieces are aligned with each other.



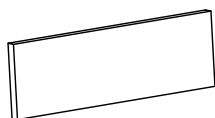
A×1PC



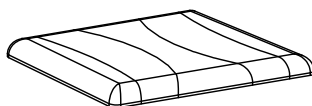
B×2PCS



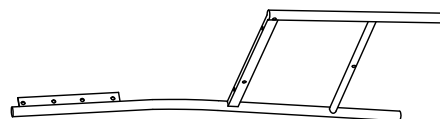
C×2PCS



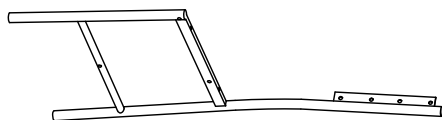
D×8PCS



E×4PCS



F×4PCS



G×4PCS



H×4PCS



I×4PCS



J×4PCS



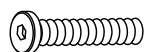
M6×10mm

K×32PCS



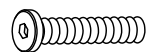
M6×25mm

L×4PCS



M6×40mm

M×40PCS



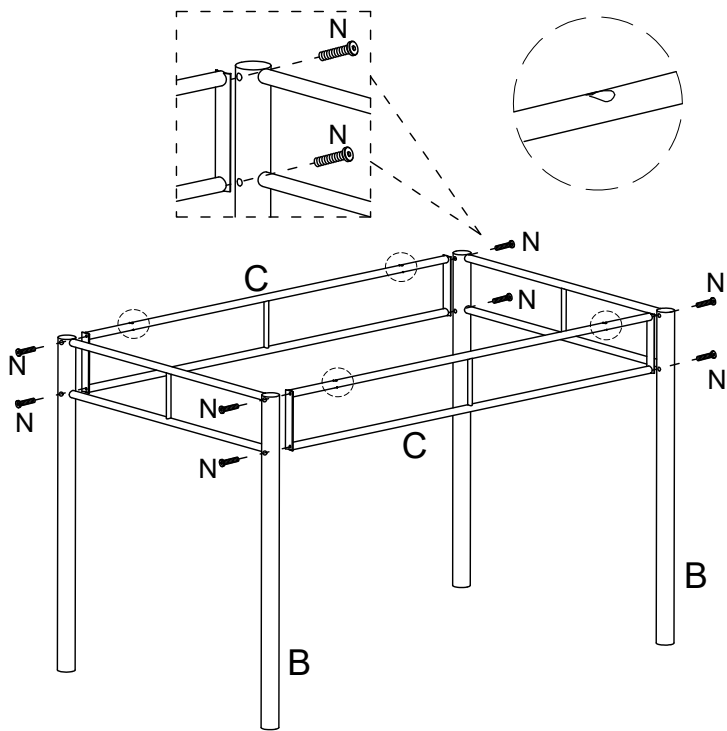
M6×50mm

N×8PCS



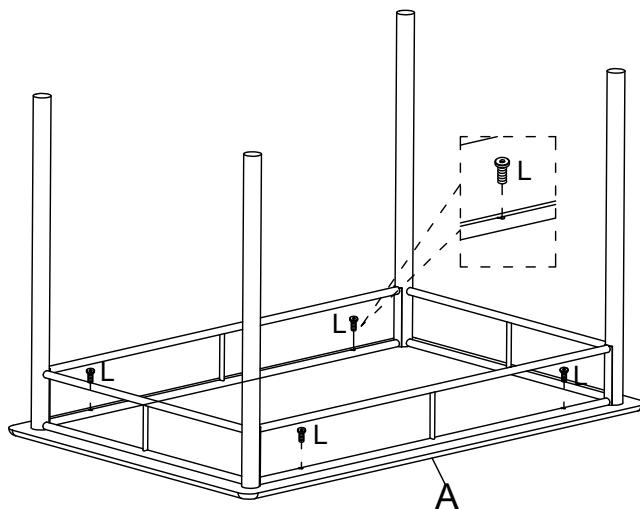
O×1PC

1



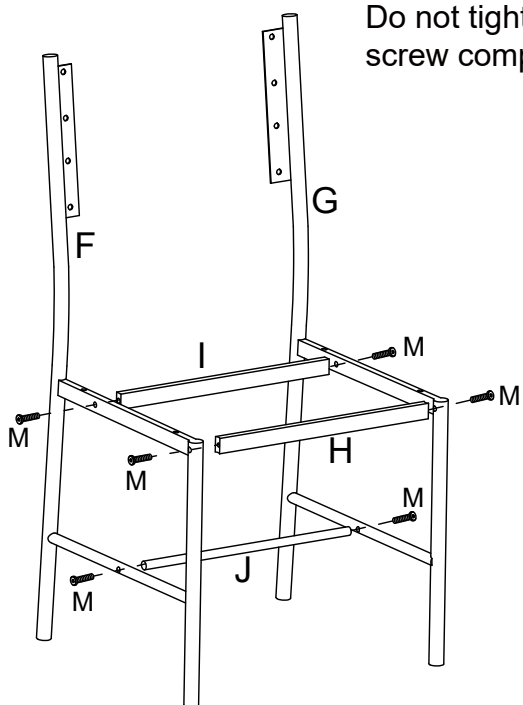
Do not tighten the screw completely

2



Tight all screws 100%

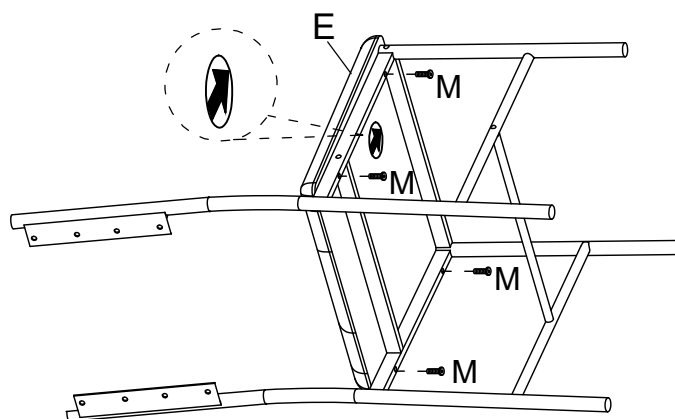
3



Do not tighten the screw completely

×4

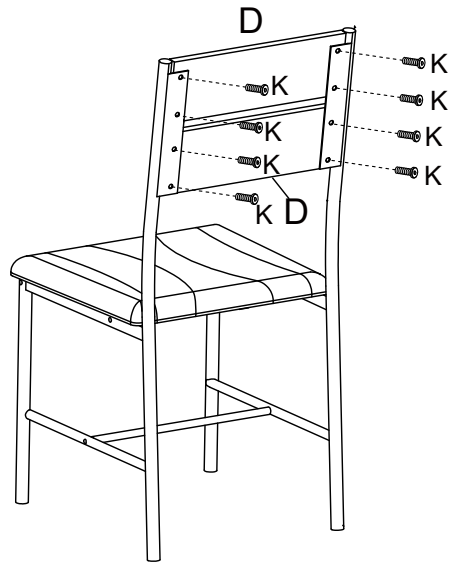
4



Do not tighten the screw completely

×4

5



Tight all screws 100%

x4

