

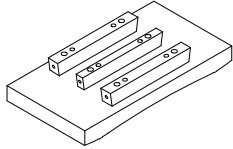

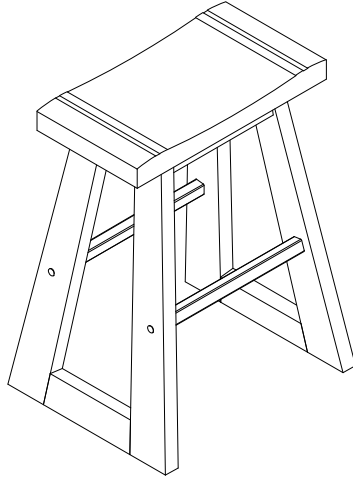

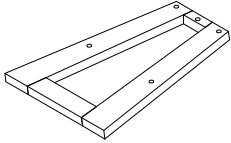


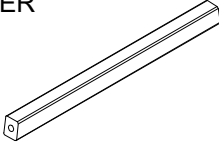

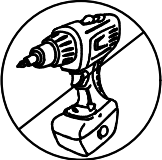
# Assembly Instructions

## Saddle Wood Stool

**Before assembling, please read this instruction carefully and keep for future reference:**

1. Refer to parts inventory for guidance and ensure you have all pieces before starting
2. Please check the condition of all the parts. If any damage or lost parts is found, please contact us immediately.
3. Be careful of the heavy board.
4. Handle with care and place all parts on a soft, clean and flat surface such as a carpet to prevent damaging/scratches.
5. Recommended # number of people needed for assembly: 1

**List of parts/hardware:**

A	SEAT 	2 PCS	D		20 pcs	<p>2 PCS IN BOX</p> 
			E		20 pcs	
B	LEG 	4 PCS	F		20 pcs	
			G		1 pc	
C	STRETCHER 	4 PCS	H		Not provided	
 <p>NOTICE: DO NOT use the power tools for assembly. This can cause the bolts to be over tightened. DO NOT over tighten hardware, damage may occur.</p>						

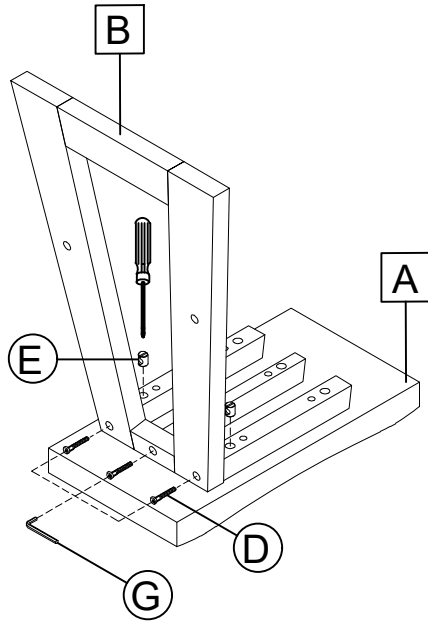
**Maximum load capacity:**

	MAX Load Capacity
Total weight capacity	380 LBS

**Disclaimer:** Install the **Saddle Wood Stool** unit following instructions provided. We and its related companies are not responsible for injury or damage resulting from incorrect installation or use. Product are for use only as Coffee Table under included MAX Load Capacity and are not designed for any different purposes. Max load capacity only applies when all the legs are installed correctly and stand evenly on the floor.

## Installation Steps:

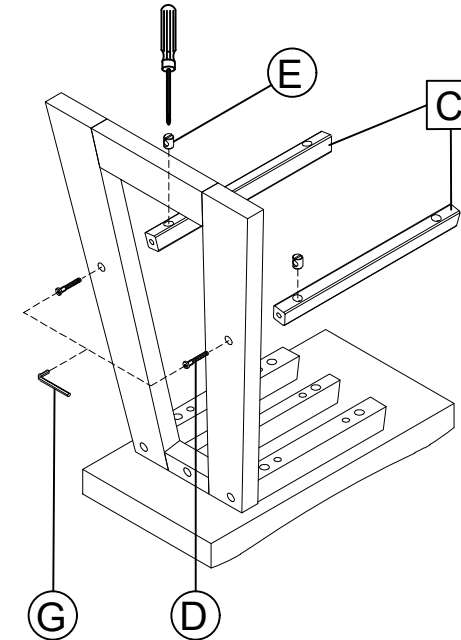
### Step 1



Step 1: Place seat (A) upside down. Line up the legs (B) with screw holes on bottom of seat (B) and attach with using Bolts (D).

Only tighten the bolts with 80% force

### Step 2



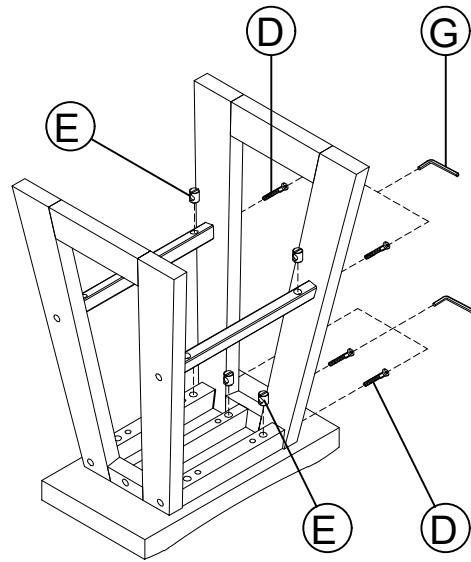
Step 2: Insert Stretcher (C) into Leg (B) and secure with Bolts (D) and Cam locks (E).

Note: Part (C) with holes facing downward. Only tighten the bolts with 80% force

Only tighten the bolts with 80% force

## Installation Steps:

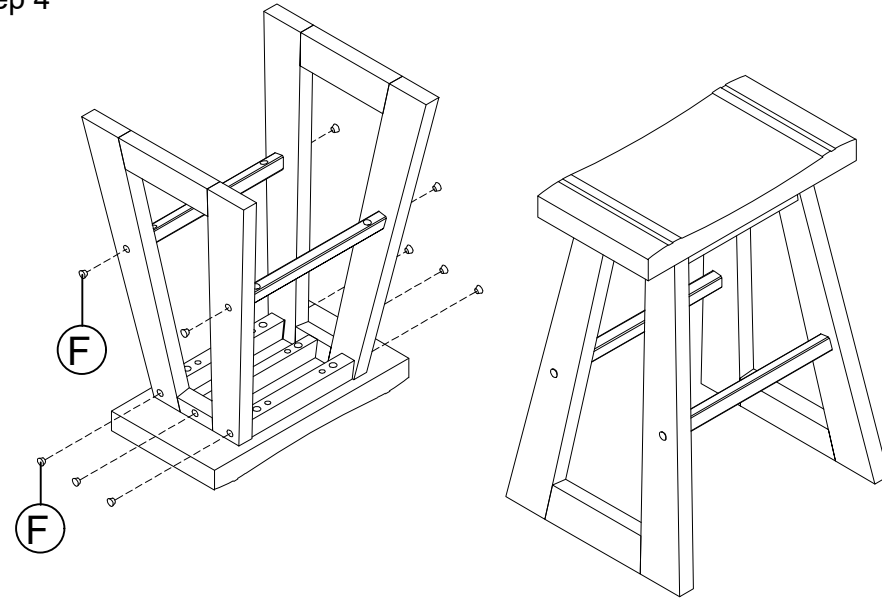
### Step 3



Step 3: Line up the second leg (B) with screw holes on the bottom of seat using Bolts (D). Do not tighten these screws all the way until you insert the cross bars when all holes are aligned. Tighten all remaining screws.

Only tighten the bolts with 80% force

### Step 4



Step 4: Insert Button (F) into every screw hole.

Now tighten all the bolts with 100% force.

## Care instructions:

1. Hardware may loosen over time. Periodically check that all connections are tight. Wipe with a soft, dry cloth. To protect finish, avoid the use of chemicals and household cleaners. Any liquid spilled onto the table should be cleaned up immediately with a damp cloth.
2. Do not put hot items directly on furniture surface.
3. Do not place furniture under direct sunlight.
4. Do not place furniture near heating or cooling vents.
5. Do not write on furniture without a padded barrier to protect the surface.
6. Do not place furniture outside. For indoor use only.
7. Not for commercial use. For residential use only.
8. Stains may be removed with mild soap solution and damp cloth.
9. Children should not climb or jump on the furniture.