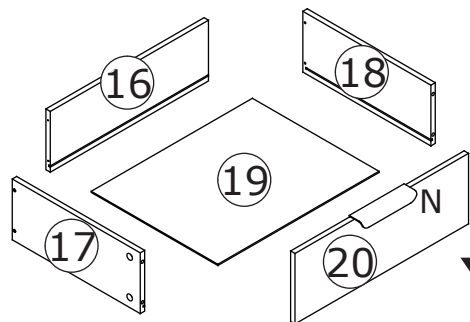
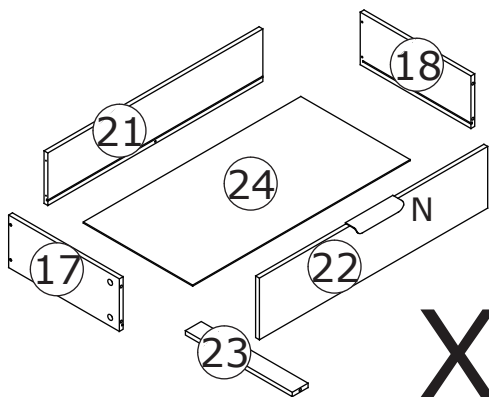
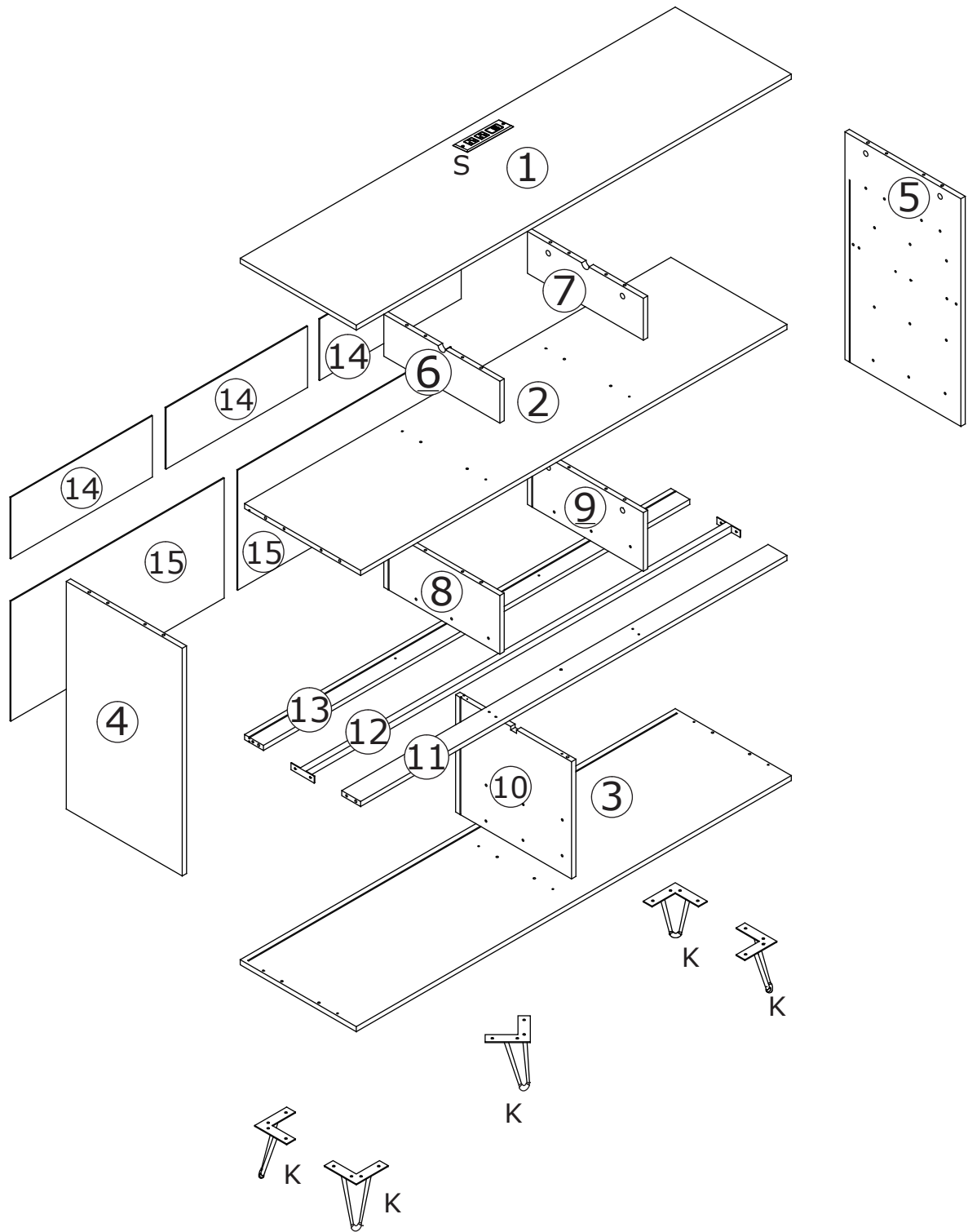
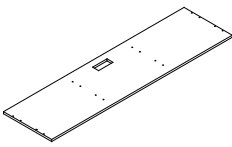
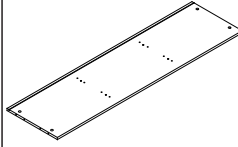
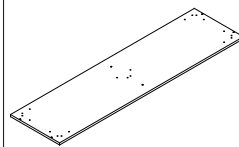
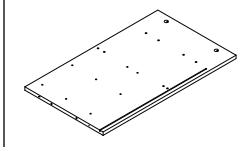
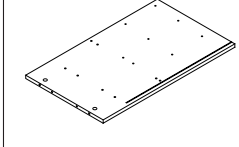
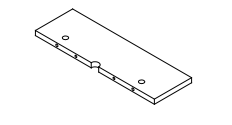
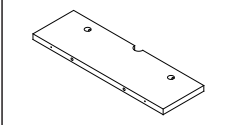
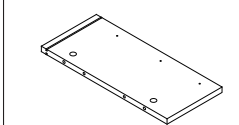
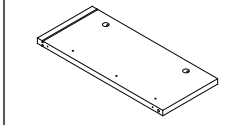
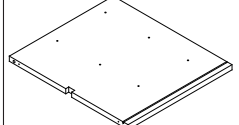
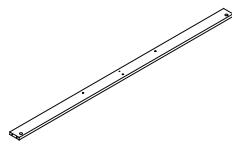
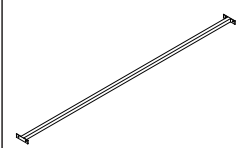
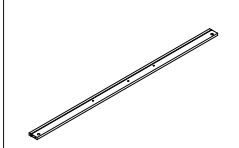
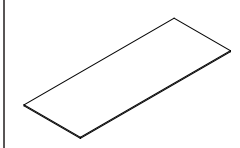
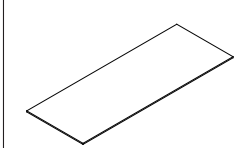
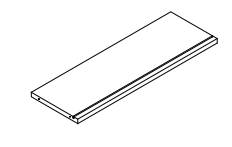
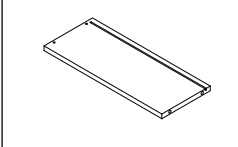
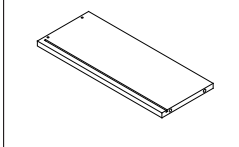
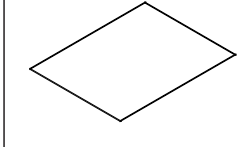
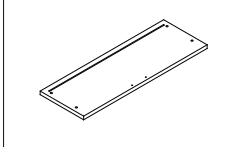
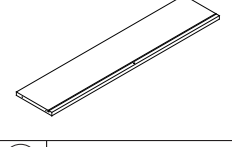
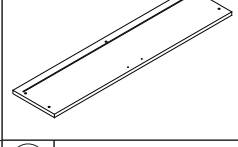
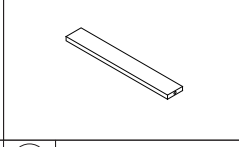
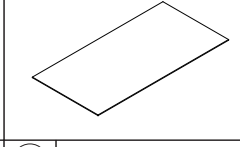


150CM





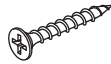
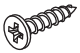


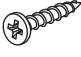

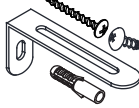

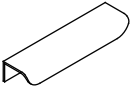

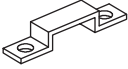

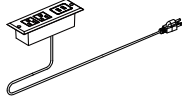




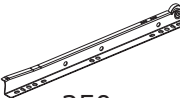



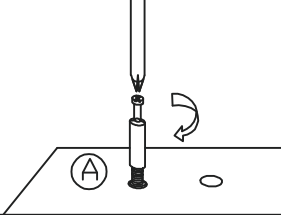
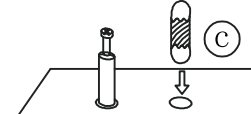
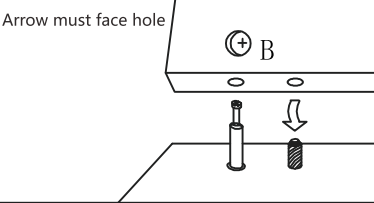
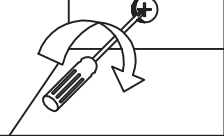


# Parts and Operation Elements

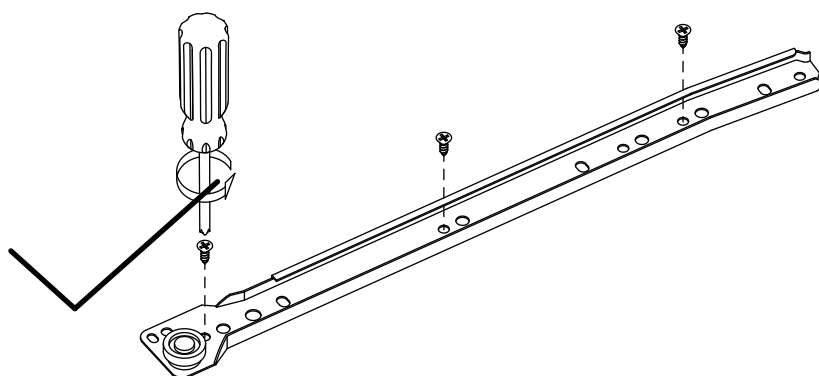
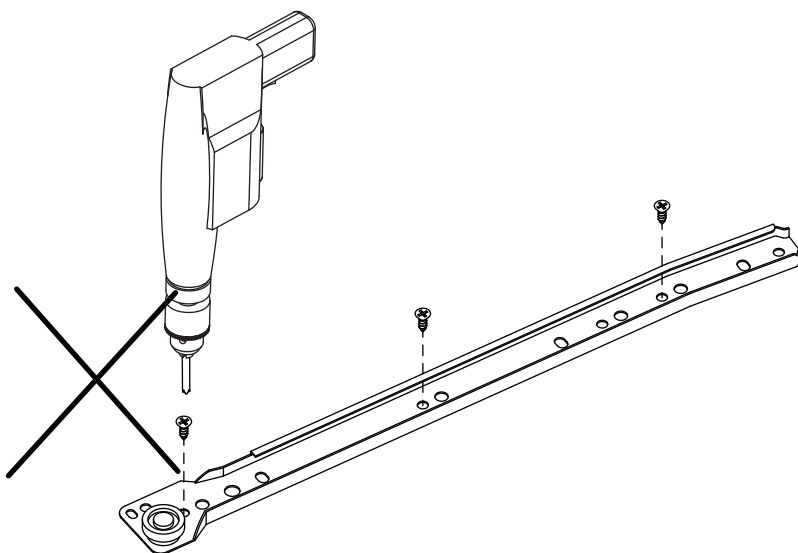
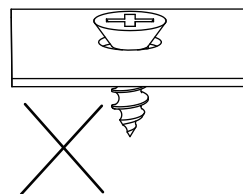
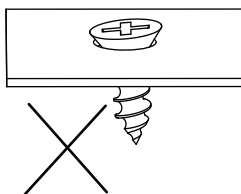
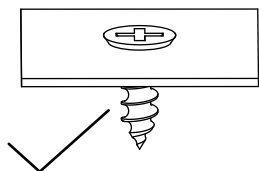
				
① 1pc	② 1pc	③ 1pc	④ 1pc	⑤ 1pc
				
⑥ 1pc	⑦ 1pc	⑧ 1pc	⑨ 1pc	⑩ 1pc
				
⑪ 1pc	⑫ 1pc	⑬ 1pc	⑭ 3pcs	⑮ 2pcs
				
⑯ 3pcs	⑰ 7pcs	⑱ 7pcs	⑲ 3pcs	⑳ 3pcs
				
㉑ 4pcs	㉒ 4pcs	㉓ 4pcs	㉔ 4pcs	

# Hardware





 Cam Bolt	 15x12mm Cam Lock	 8x40mm Screw	 5x40mm Screw	 4x30mm Screw	 3x12mm Screw
<b>(A)</b> 20pcs <sup>+2pcs</sup>	<b>(B)</b> 20pcs <sup>+2pcs</sup>	<b>(C)</b> 33pcs <sup>+2pcs</sup>	<b>(D)</b> 16pcs <sup>+2pcs</sup>	<b>(E)</b> 32pcs <sup>+2pcs</sup>	<b>(F)</b> 112pcs <sup>+2pcs</sup>
 4x14mm Screw	 3x16mm Screw	 3x16mm Screw			
<b>(G)</b> 24pcs <sup>+2pcs</sup>	<b>(H)</b> 20pcs <sup>+2pcs</sup>	<b>(J)</b> 20pcs <sup>+2pcs</sup>	<b>(K)</b> 5pcs	<b>(L)</b> 2pcs	<b>(M)</b> 32pcs <sup>+2pcs</sup>
					 3x12mm Screw
<b>(N)</b> 7pcs	<b>(P)</b> 1pc	<b>(Q)</b> 7pcs	<b>(R)</b> 52pcs <sup>+2pcs</sup>	<b>(S)</b> 1pc	<b>(T)</b> 2pcs
 15x10mm Cam Lock	 350mm	 350mm	 350mm	 350mm	
<b>(U)</b> 32pcs <sup>+2pcs</sup>	<b>(CL)</b> 7pcs	<b>(CR)</b> 7pcs	<b>(DL)</b> 7pcs	<b>(DR)</b> 7pcs	

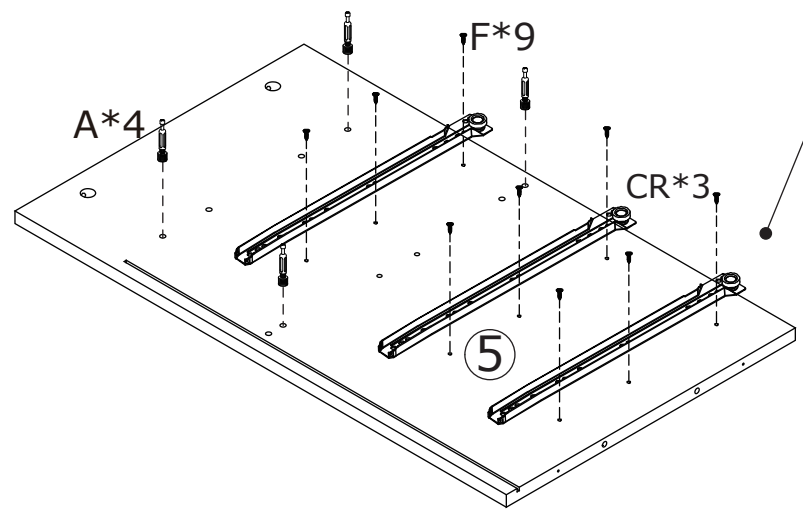
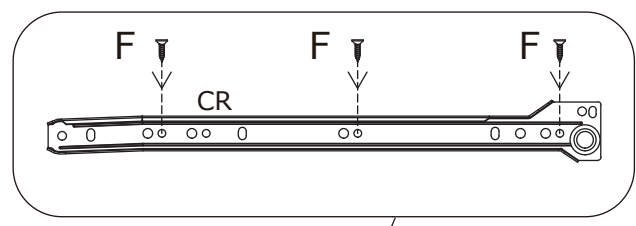
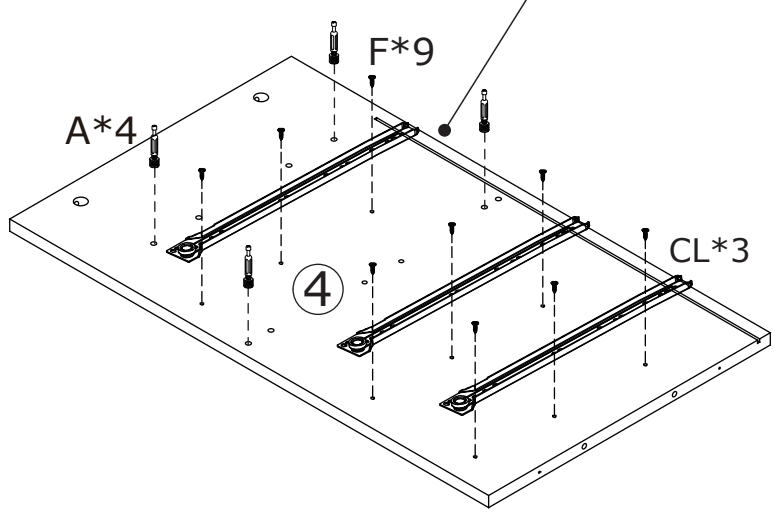
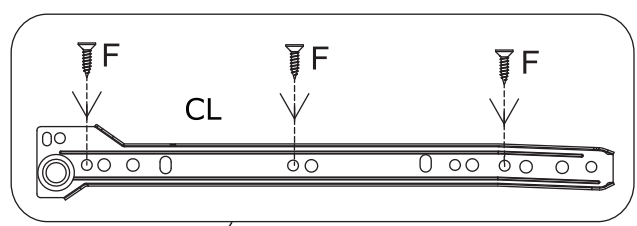
			
Gently screw cam bolt into the threaded anchor.	Insert the wood dowel halfway into hole.	Arrow must face hole	Screw the camlock firmly into locked position.

**Please kindly note the following points when you assemble the sliders of the drawers**






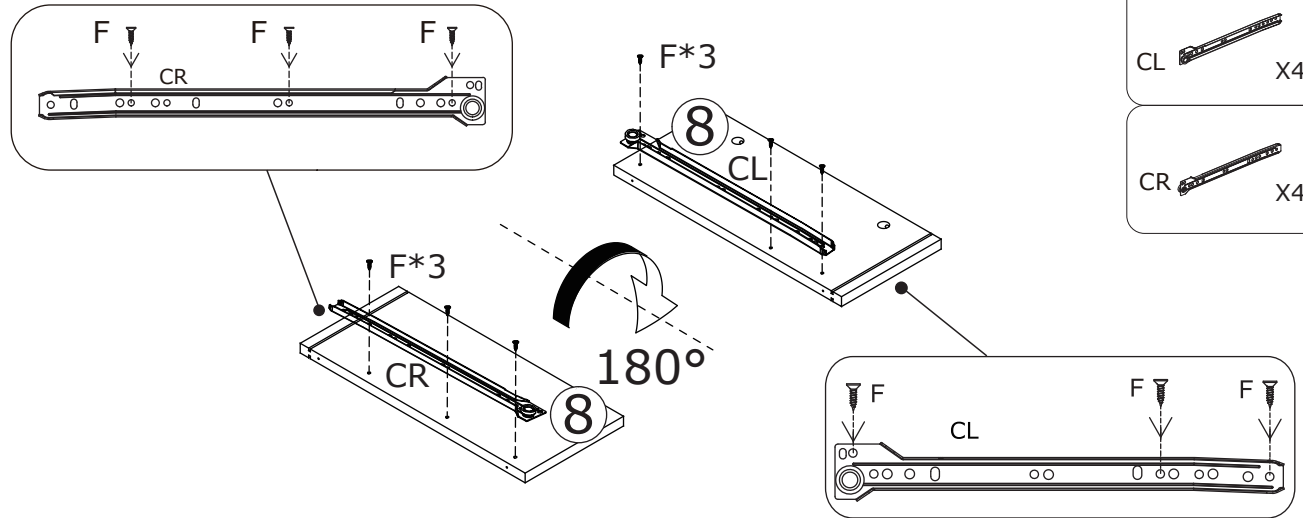
1

- A  X8
- F  X18
- CL  X3
- CR  X3

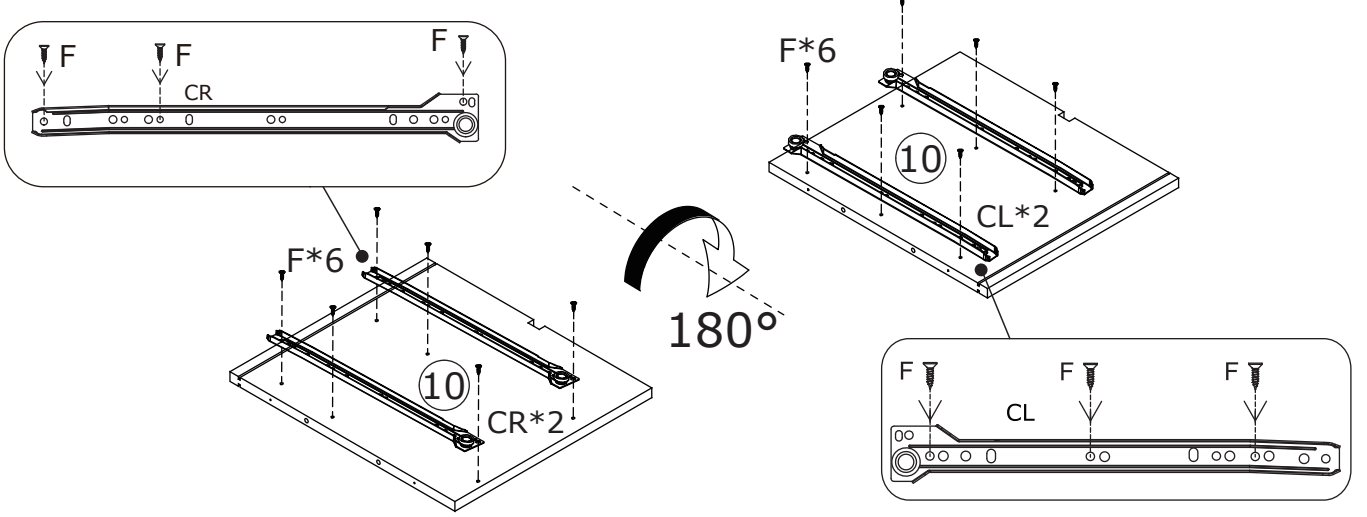
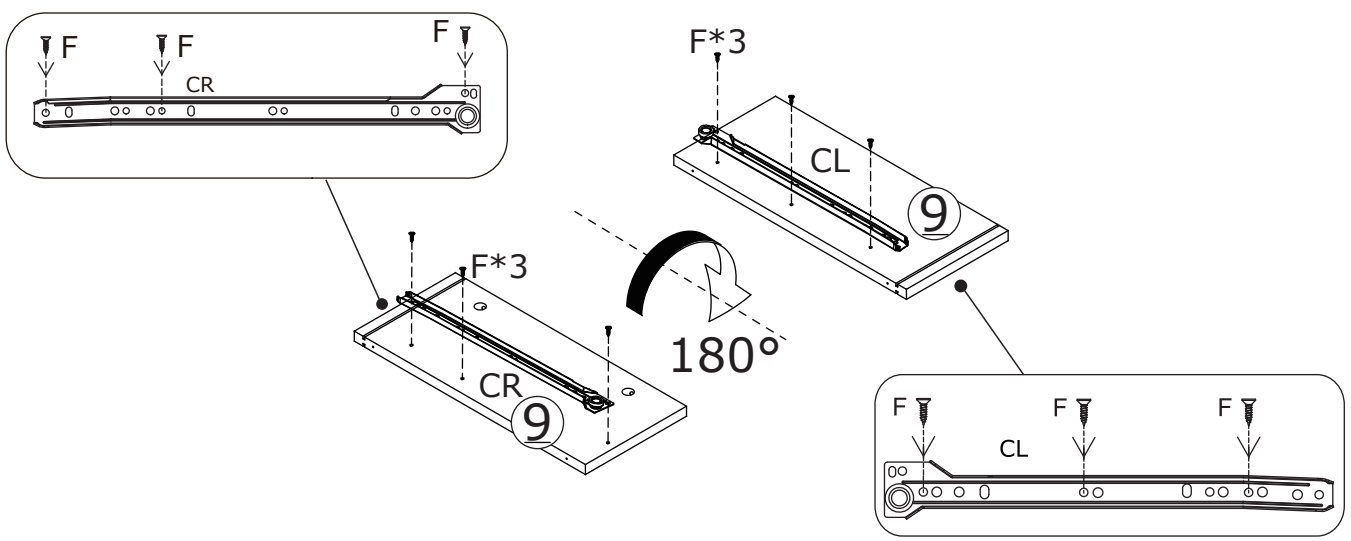


2

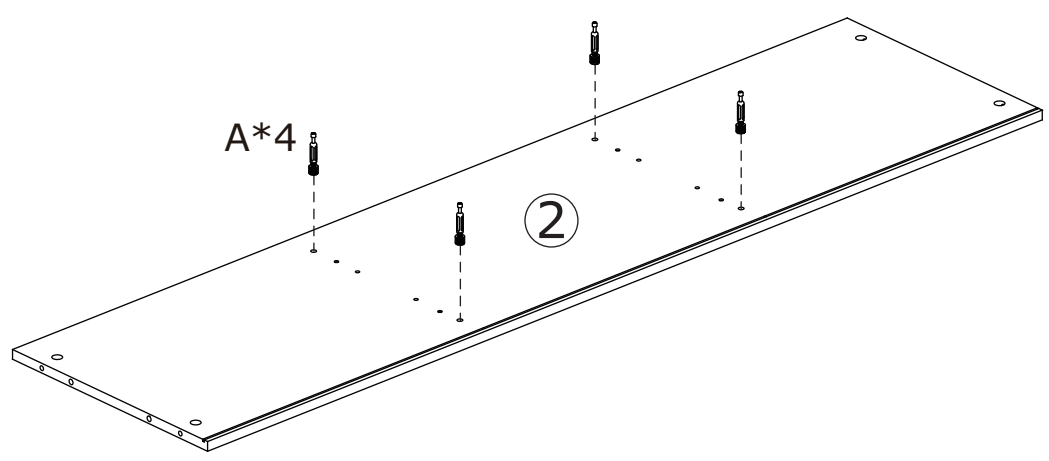
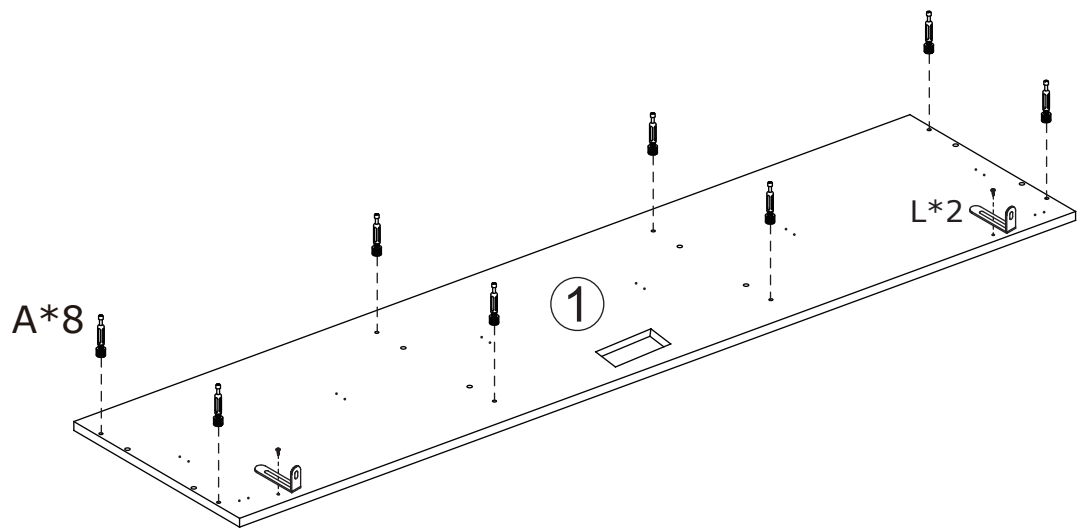
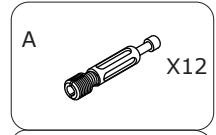
- F  X24
- CL  X4
- CR  X4



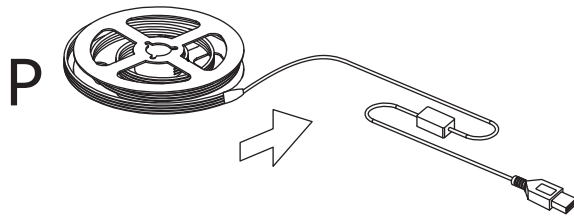
After assembling CR of No.8,9 and No.10 plates, turn it over by 180 to continue assembling CL part.



3

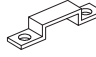


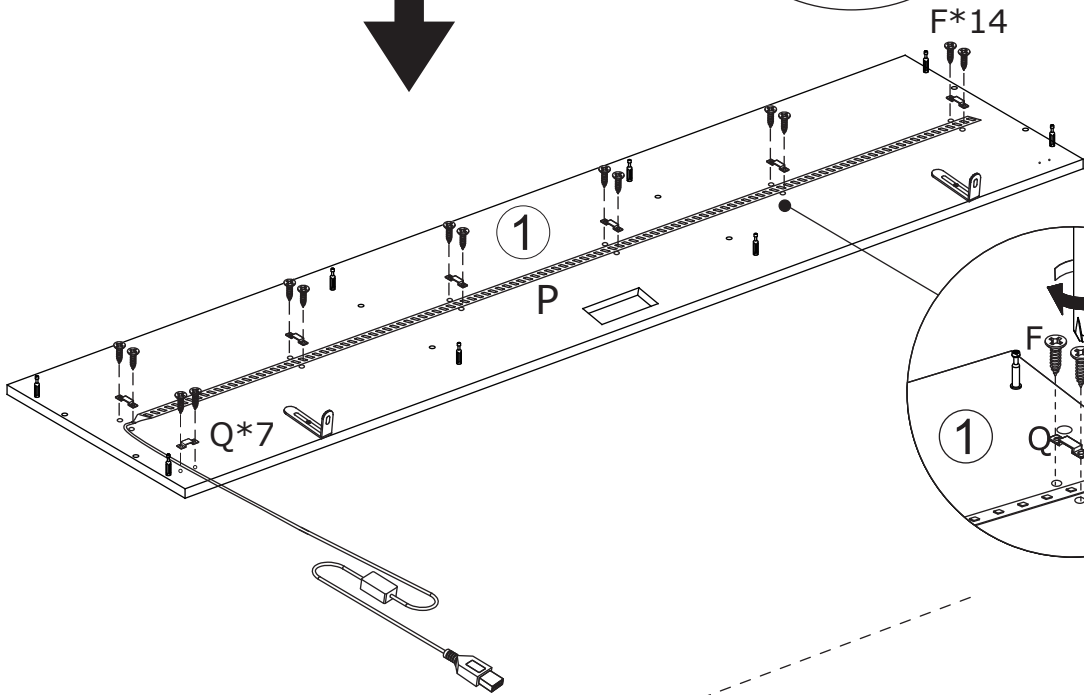
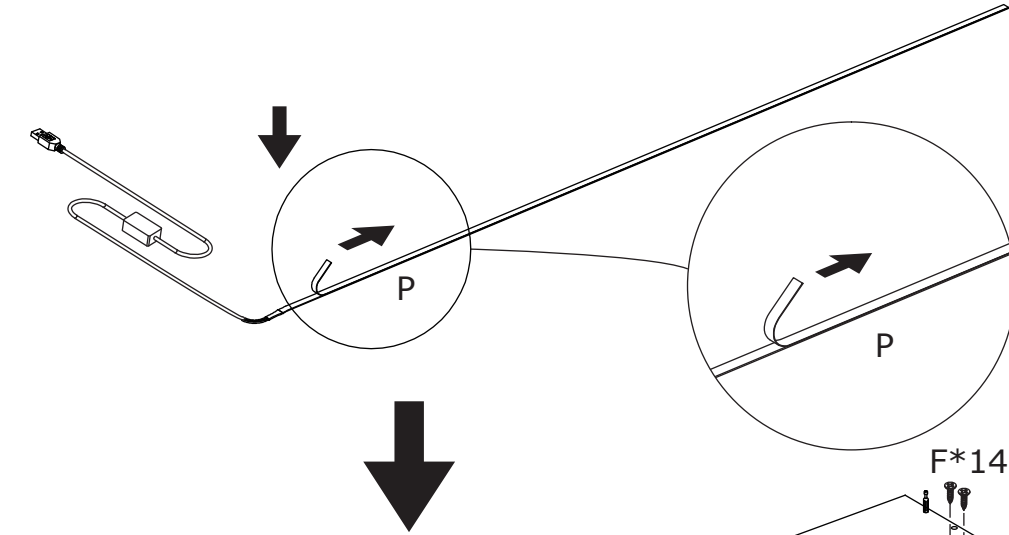
4



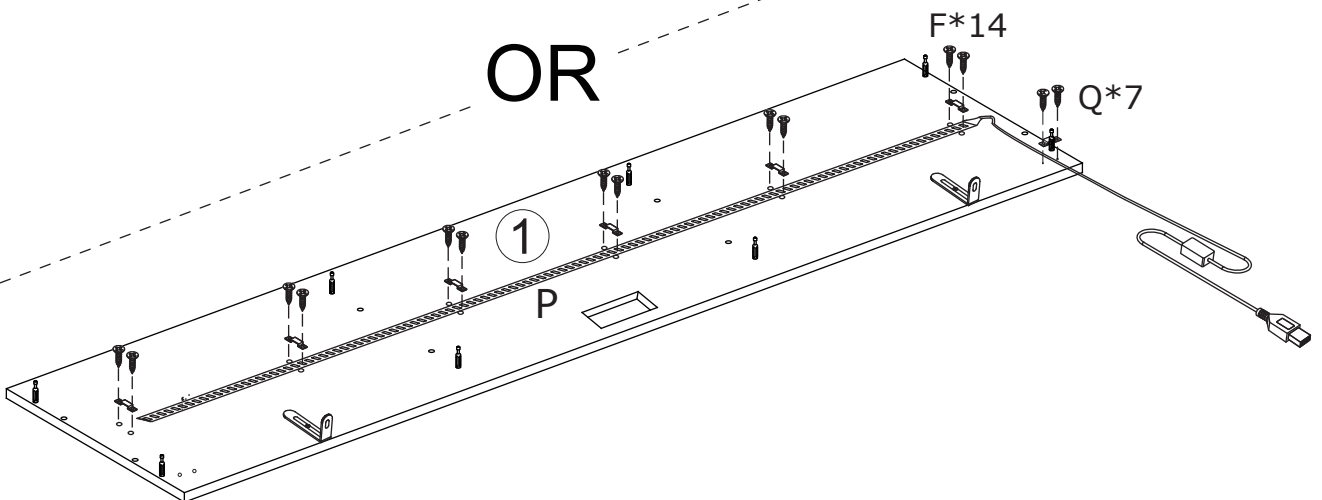
F  x14

P  x1

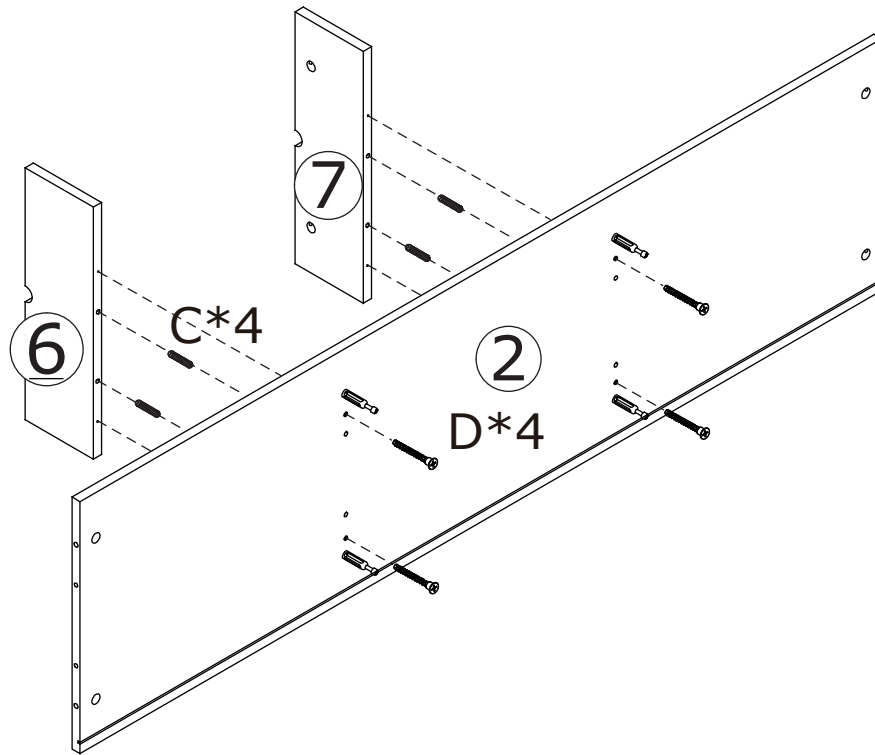
Q  x7

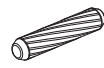


OR

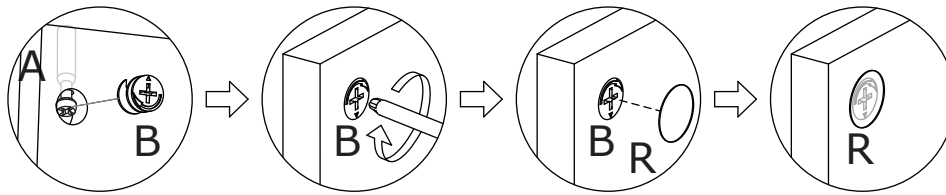



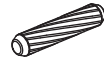

5

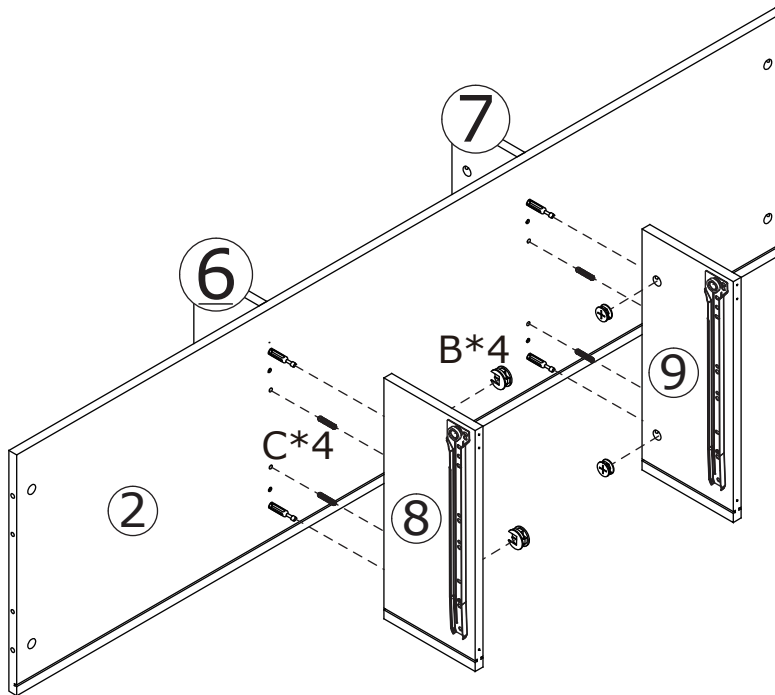


- D  x4
- C  x4

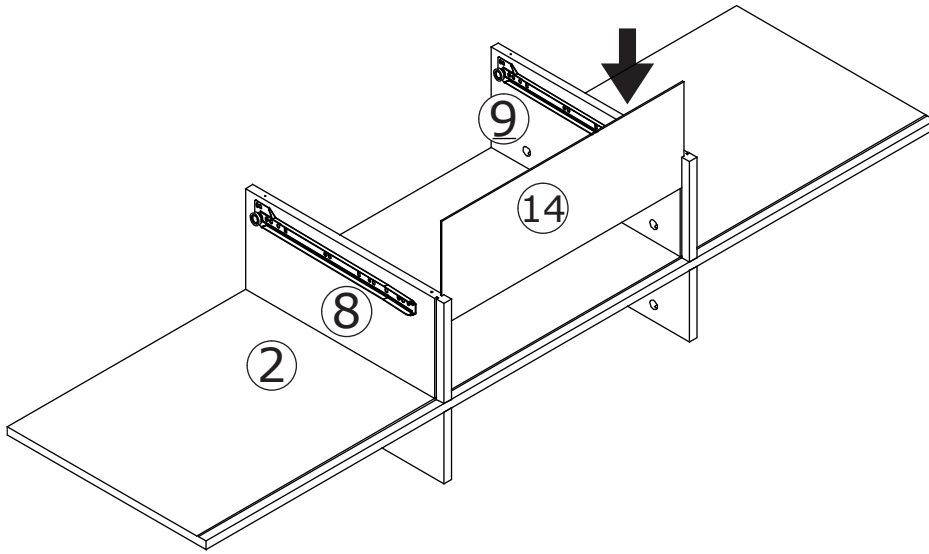
6



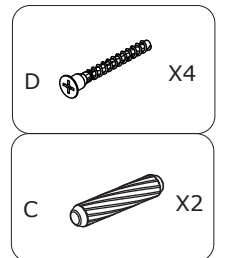
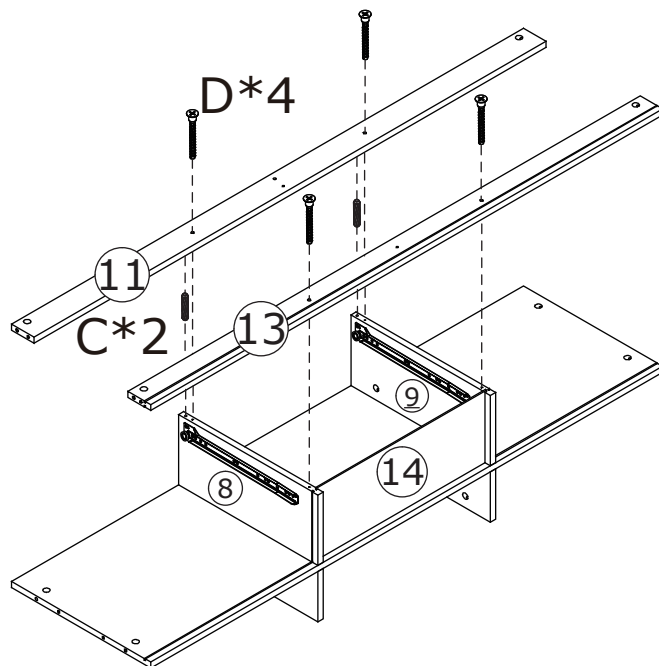
- B  x4
- C  x4
- R  x4



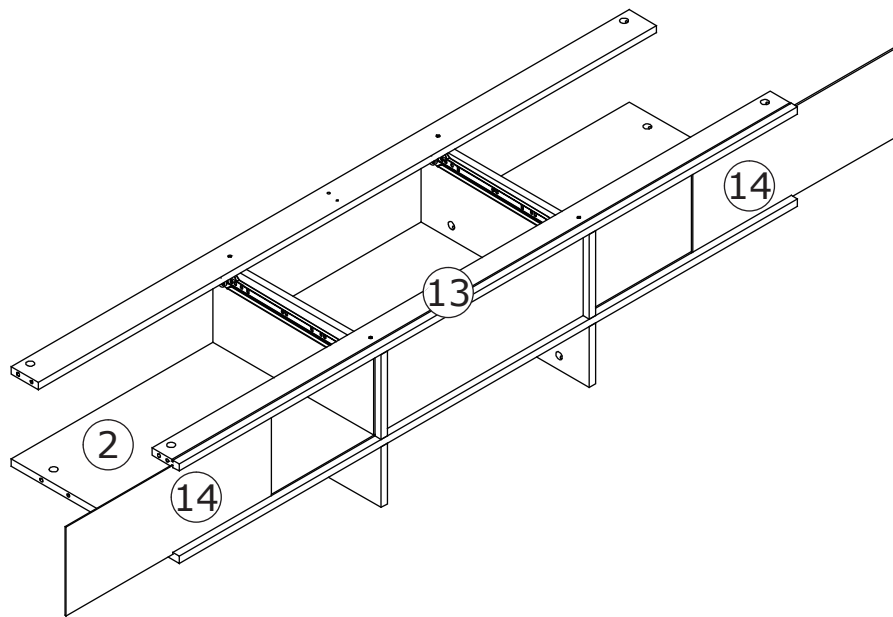
7



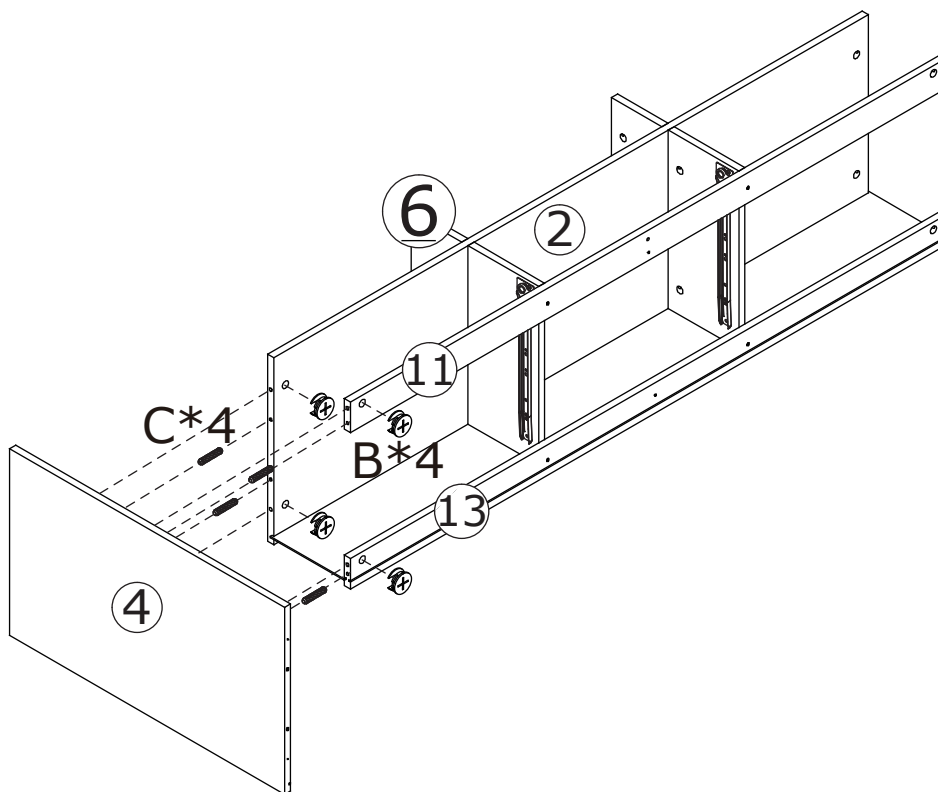
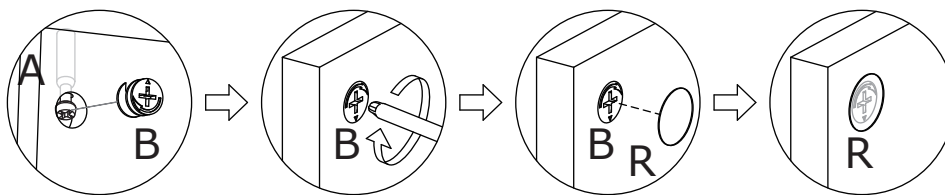
8


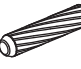



9

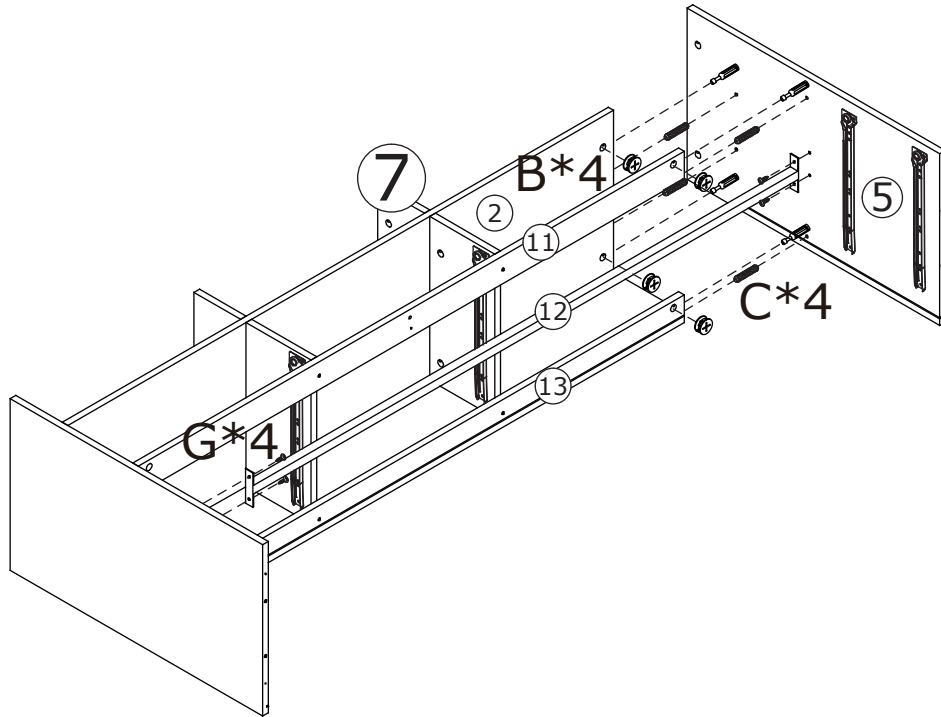
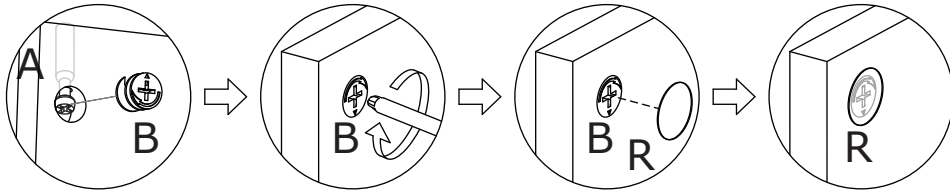






10



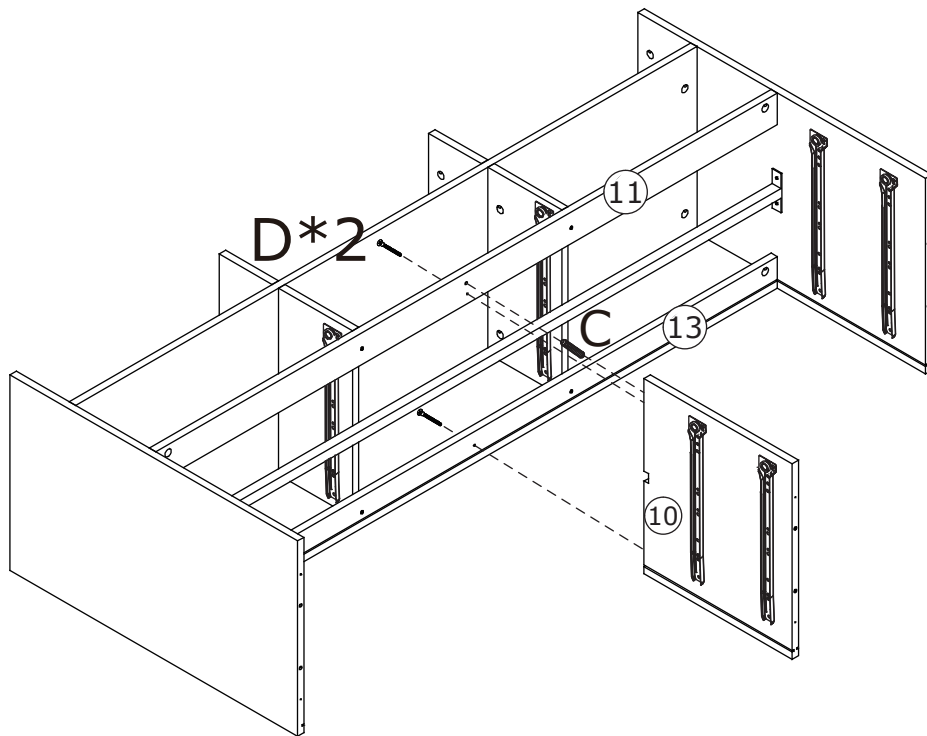
- B  x4
- C  x4
- R  x4


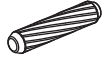
11



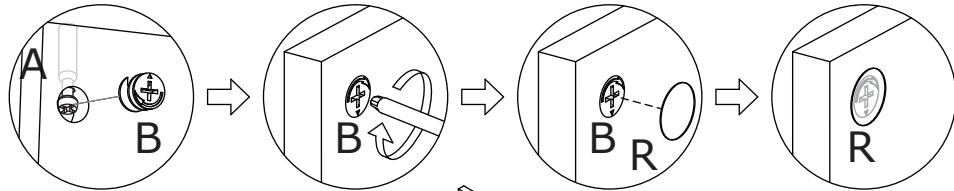
- B  x4
- C  x4
- R  x4
- G  x4


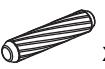

12

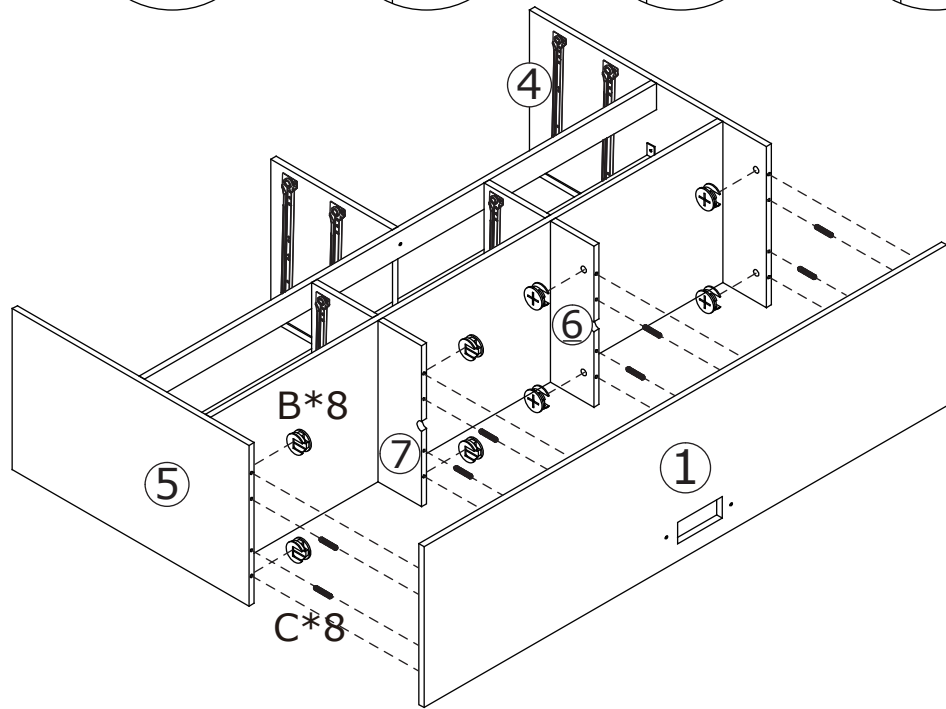


- D  x2
- C  x1

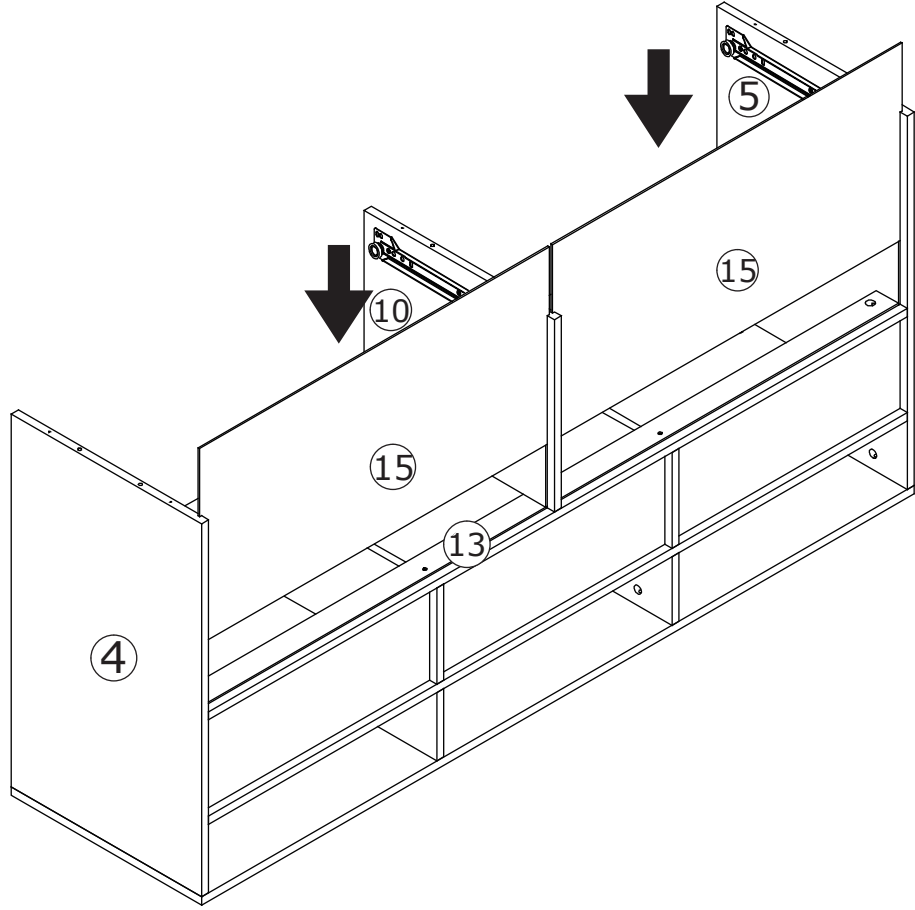
13



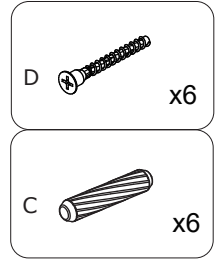
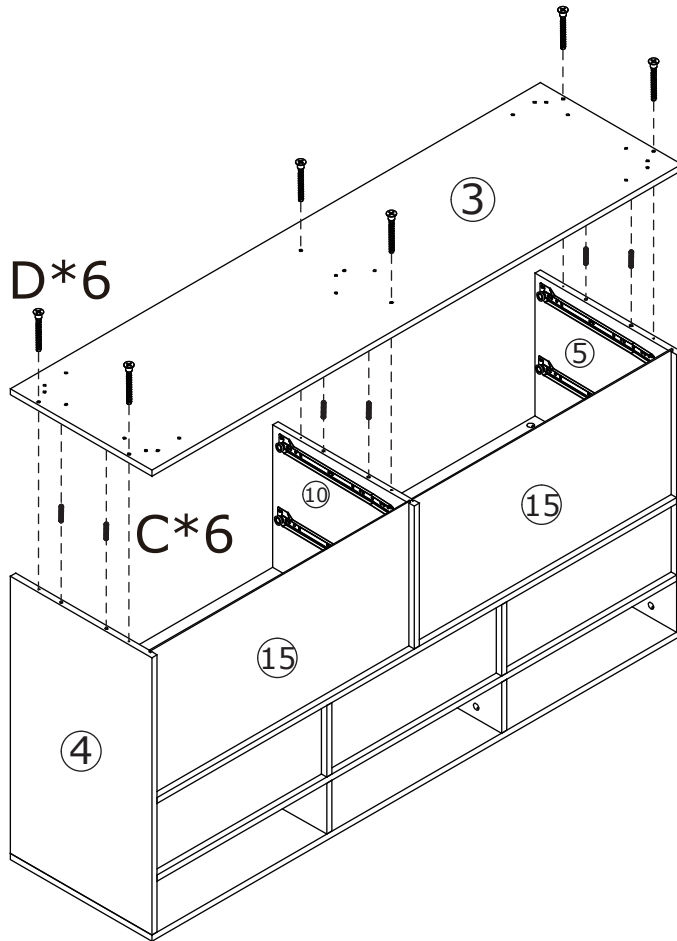
- B  x8
- C  x8
- R  x8



14

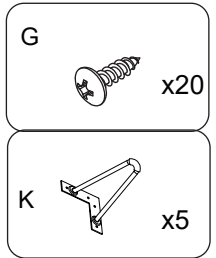
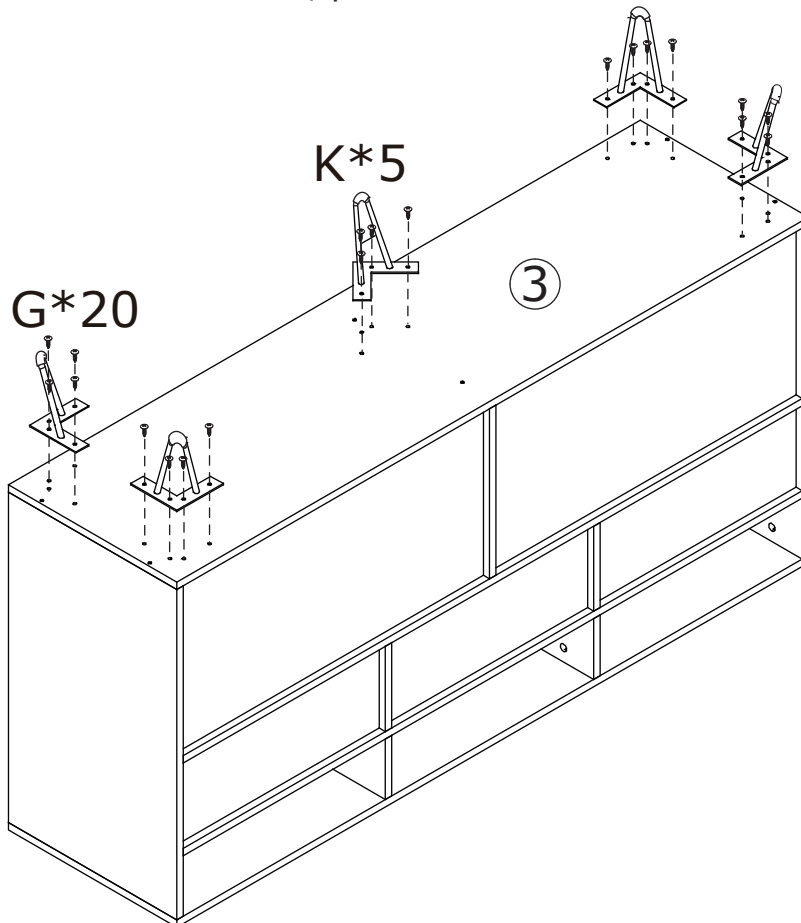


15



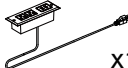


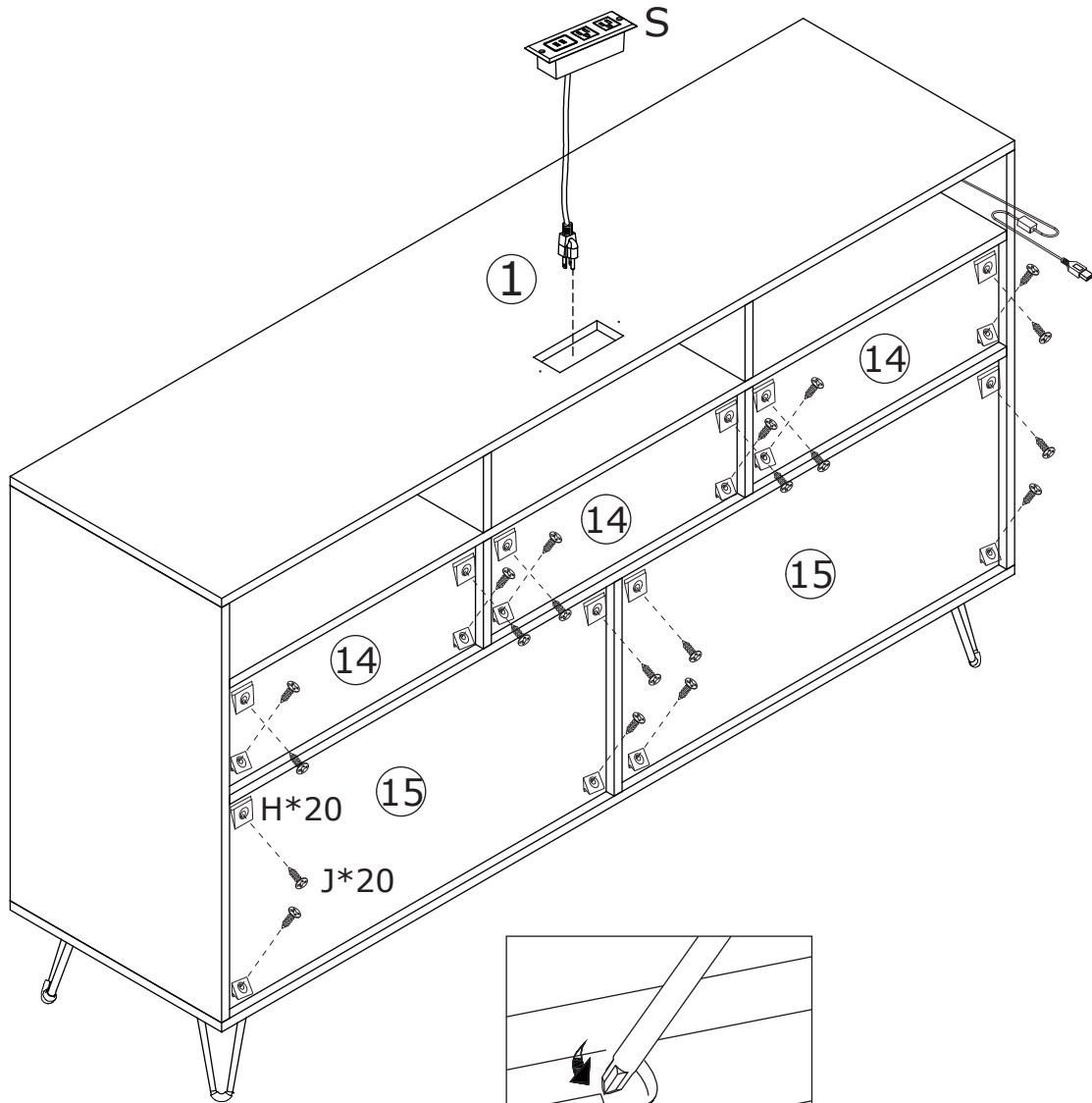
There is a plastic in the middle.  
If the ground is unbalanced, please take it out.

16

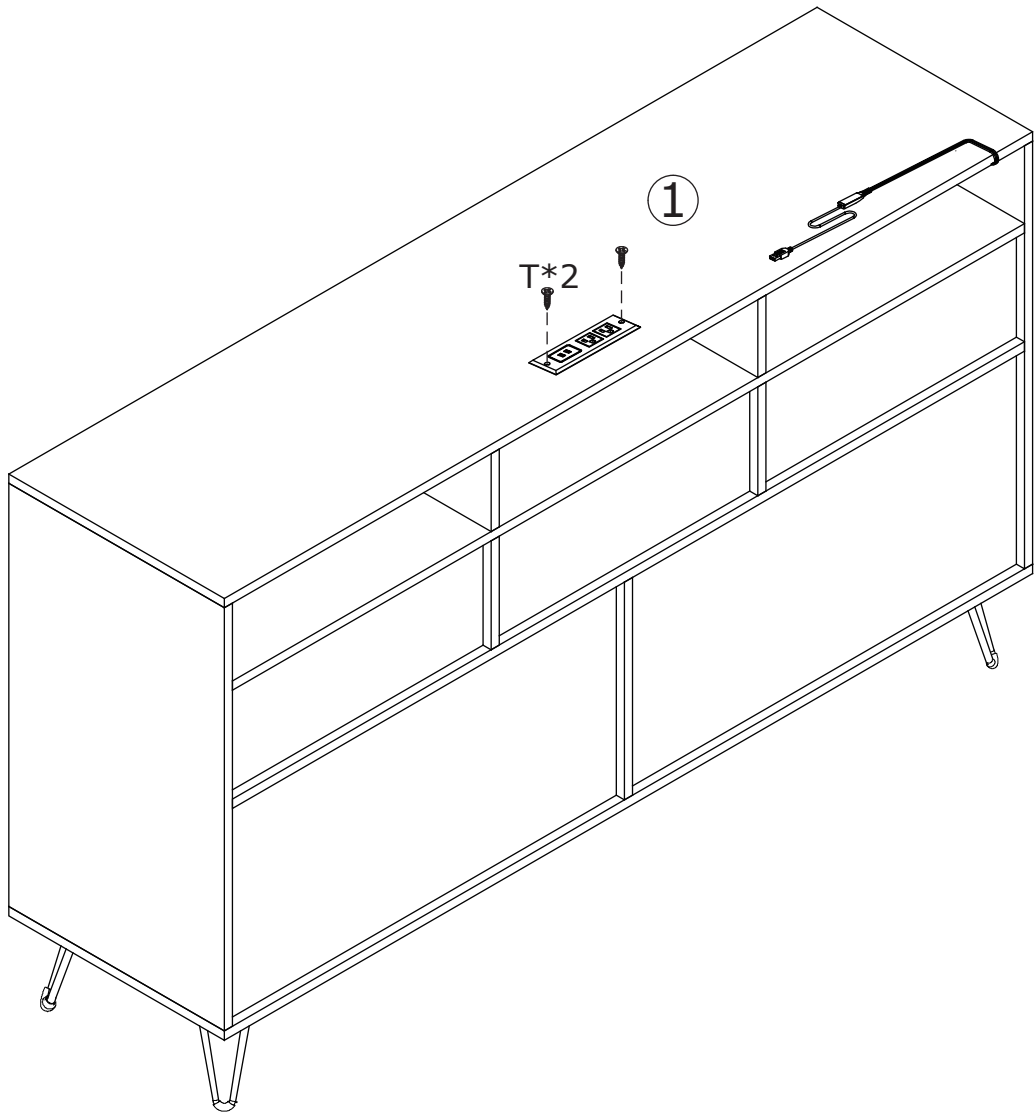
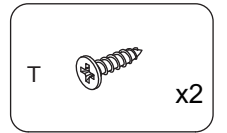


17

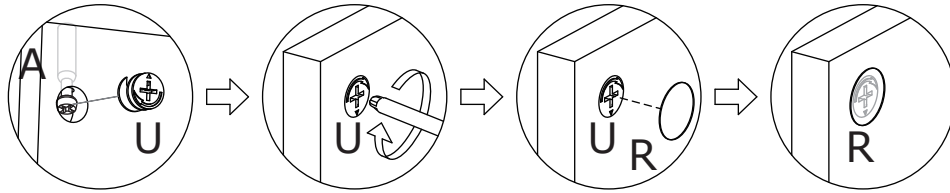
- H  x20
- J  x20
- S  x1



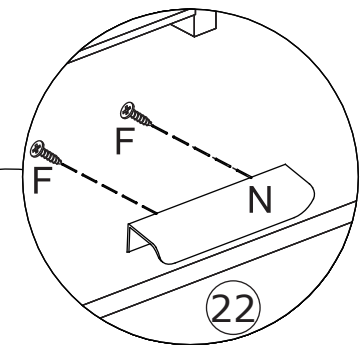
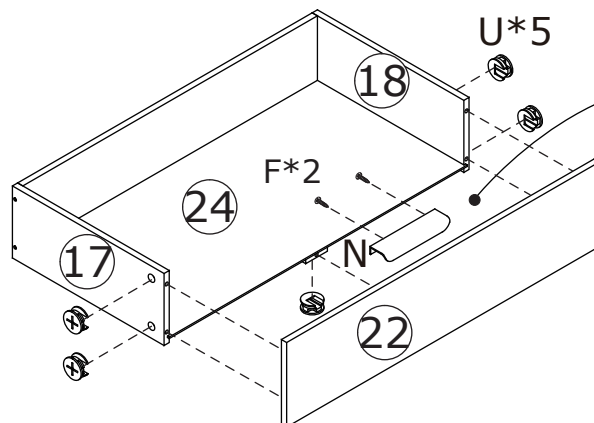
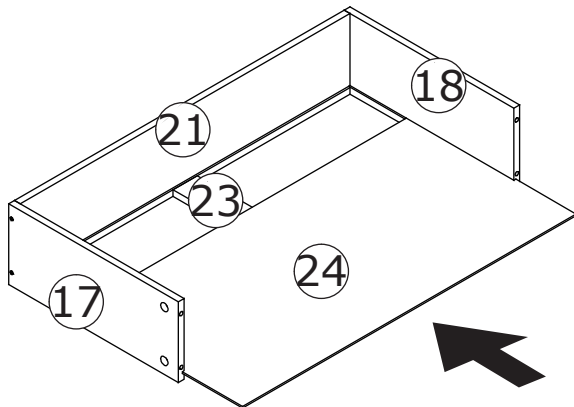
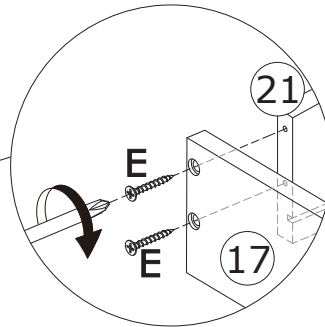
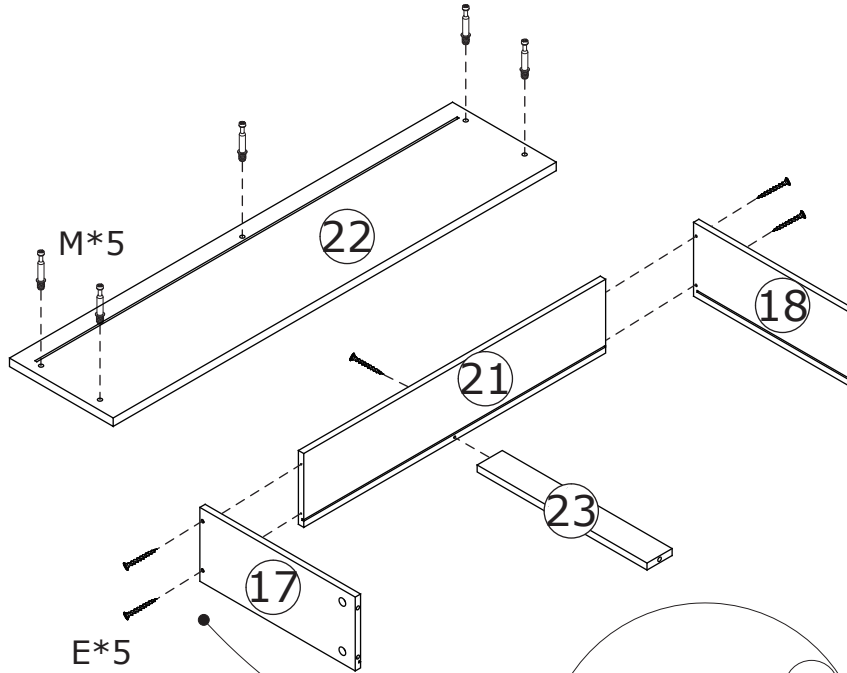
18









19



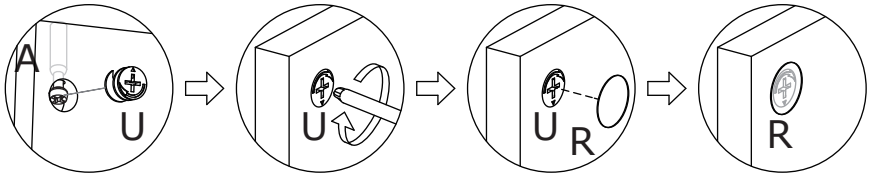
Tear off the film of plates 22 before assembly.



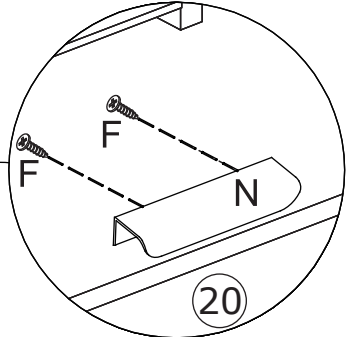
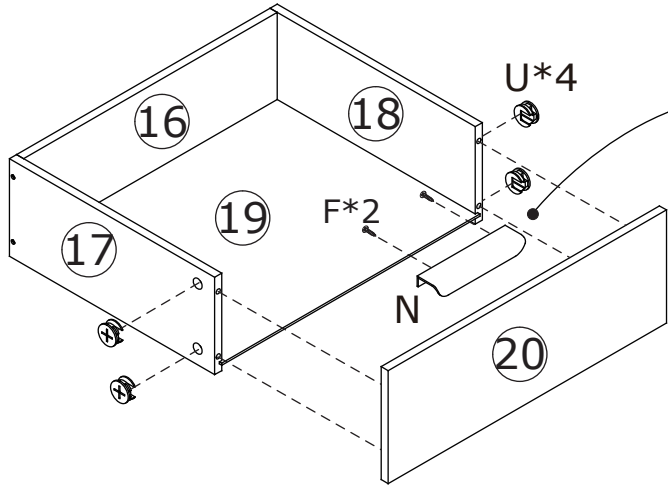
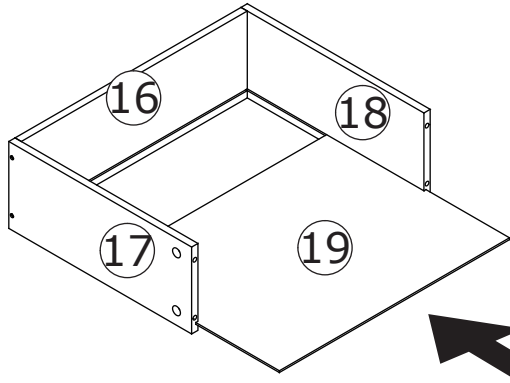
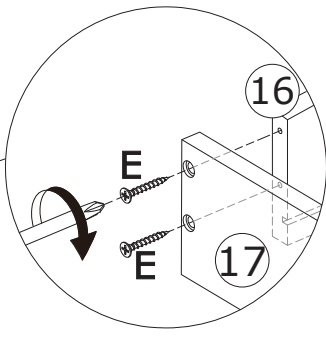
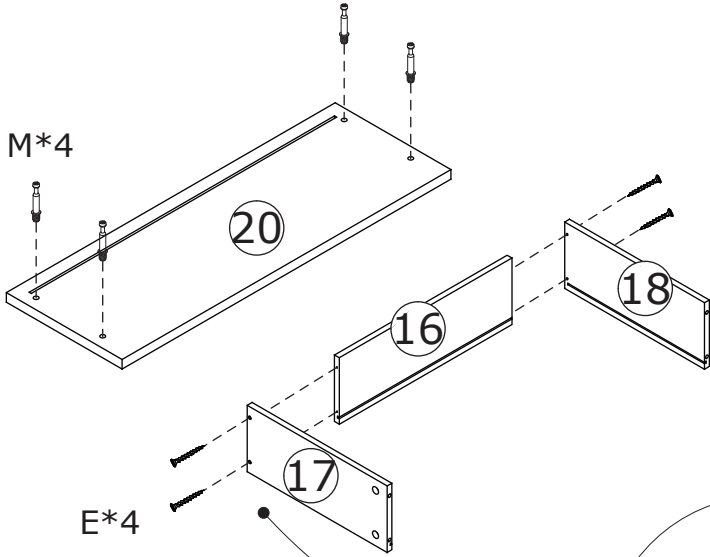
X4


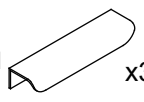


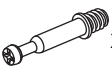

- U  x20
- N  x4
- R  x20
- F  x8
- M  x20
- E  x20

20






Tear off the film of plates 20 before assembly.

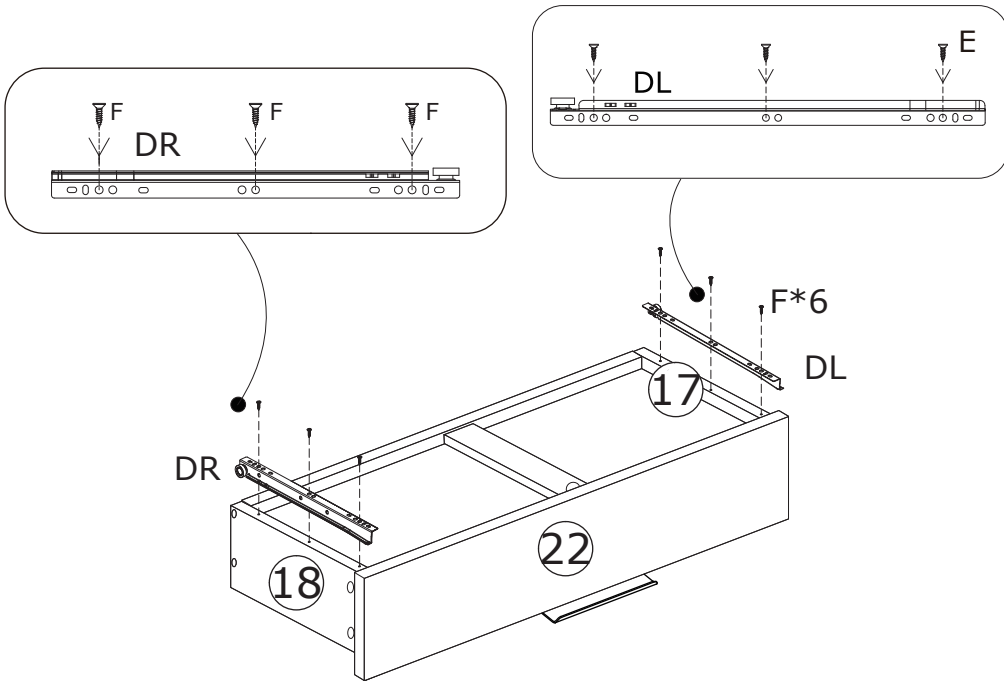


- U  x12
- N  x3
- R  x12
- F  x6
- M  x12
- E  x12

X3


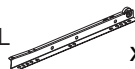

21

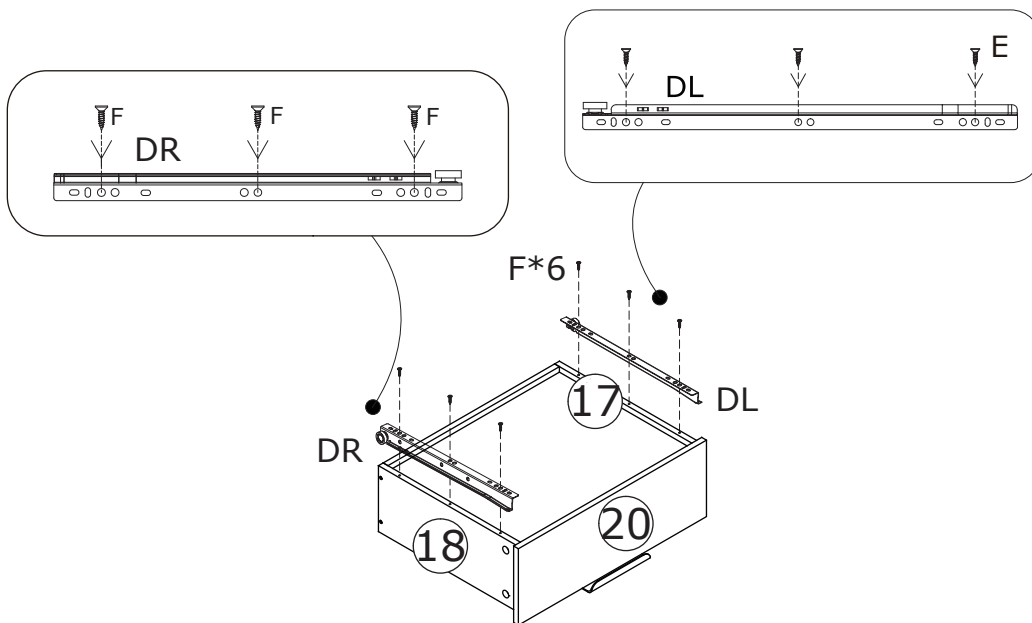
- F  x24
- DL  x4
- DR  x4



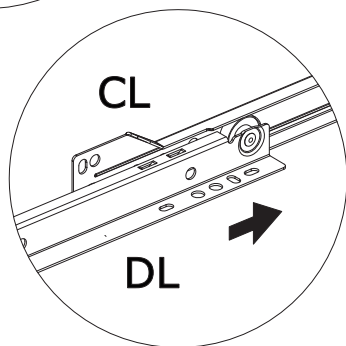
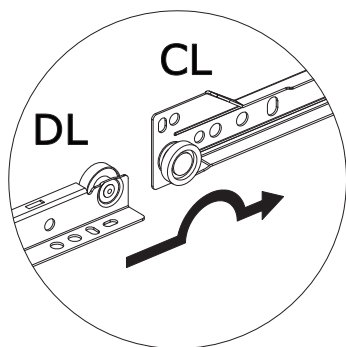
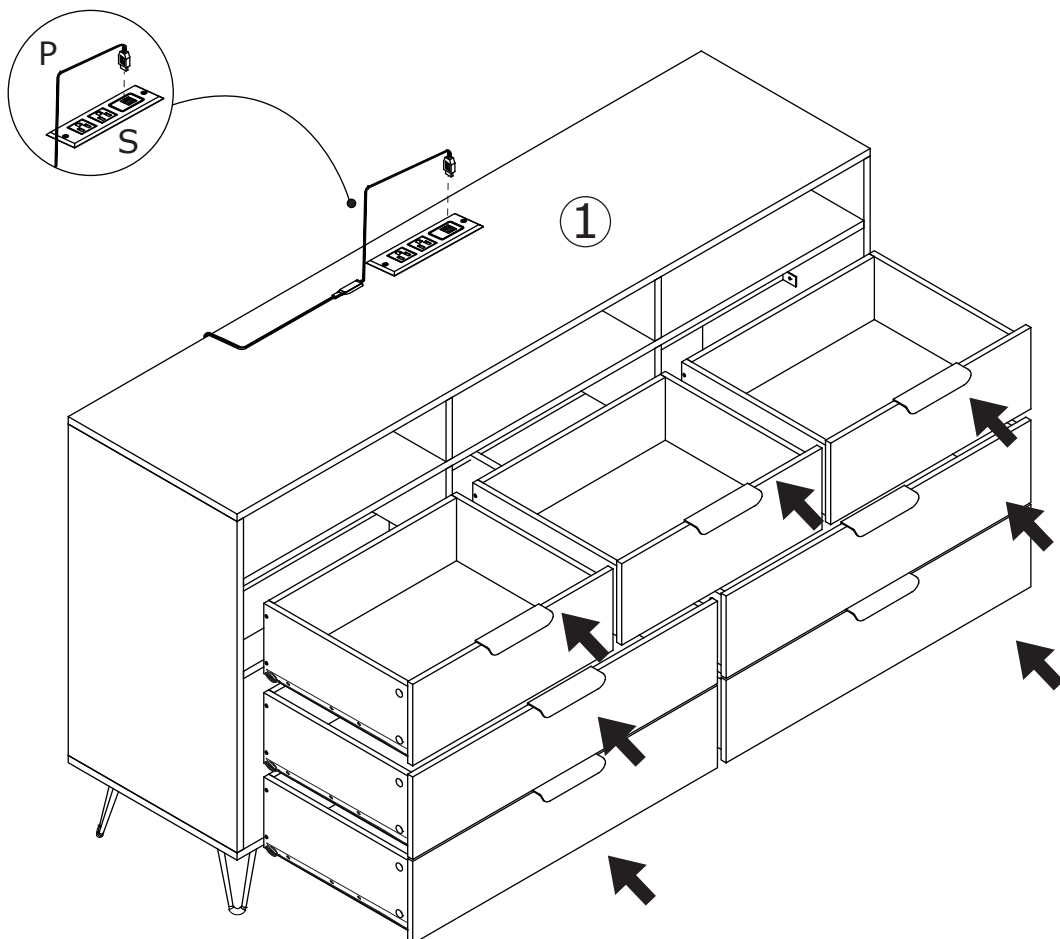
X4

22

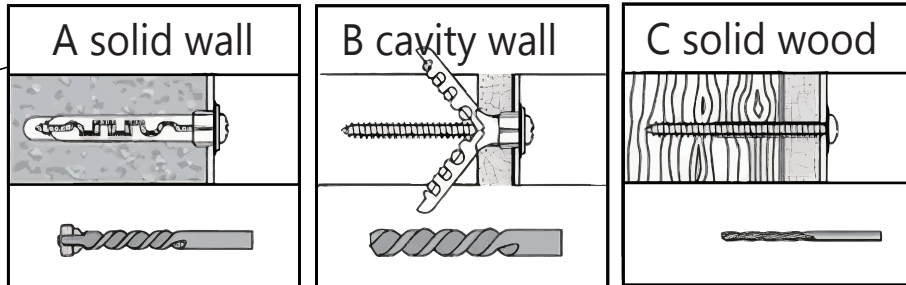
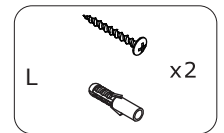
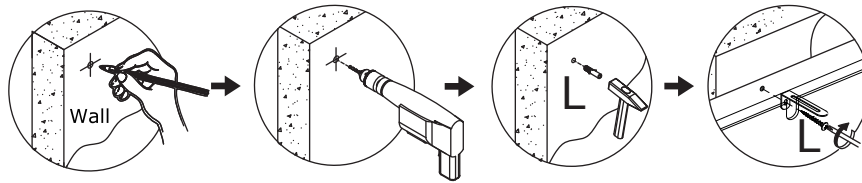
- F  x18
- DL  x3
- DR  x3



X3



24



**!** Warning: If you overturn the furniture, it may cause serious or fatal crushing injuries. We have a wall connection device attached, please use it to hold the furniture following these instructions.

1. Mark the corresponding hole positions where you want to place the furniture;
2. Use a impact drill to drill holes and pay attention to avoid wires and water pipes;
3. Knock the expansion pipes into the wall holes;
4. Place the furniture in the corresponding position and tighten the wall connection device with screws.

