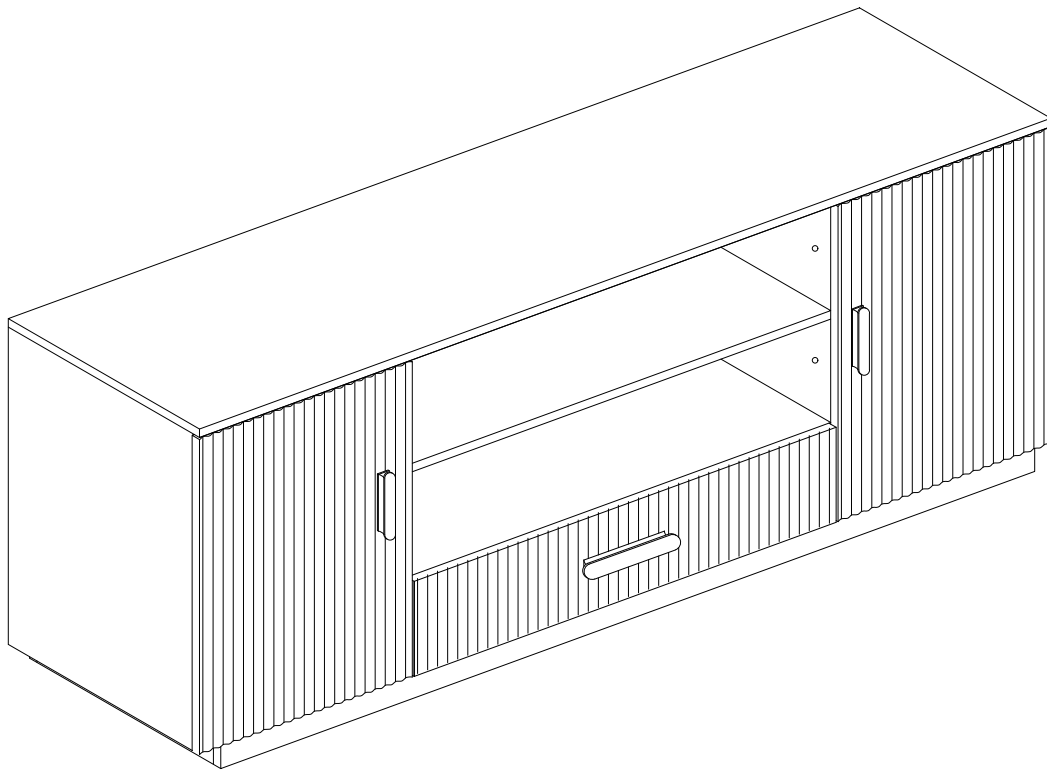


ASSEMBLY INSTRUCTION

TV STAND

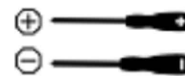
LSJ019



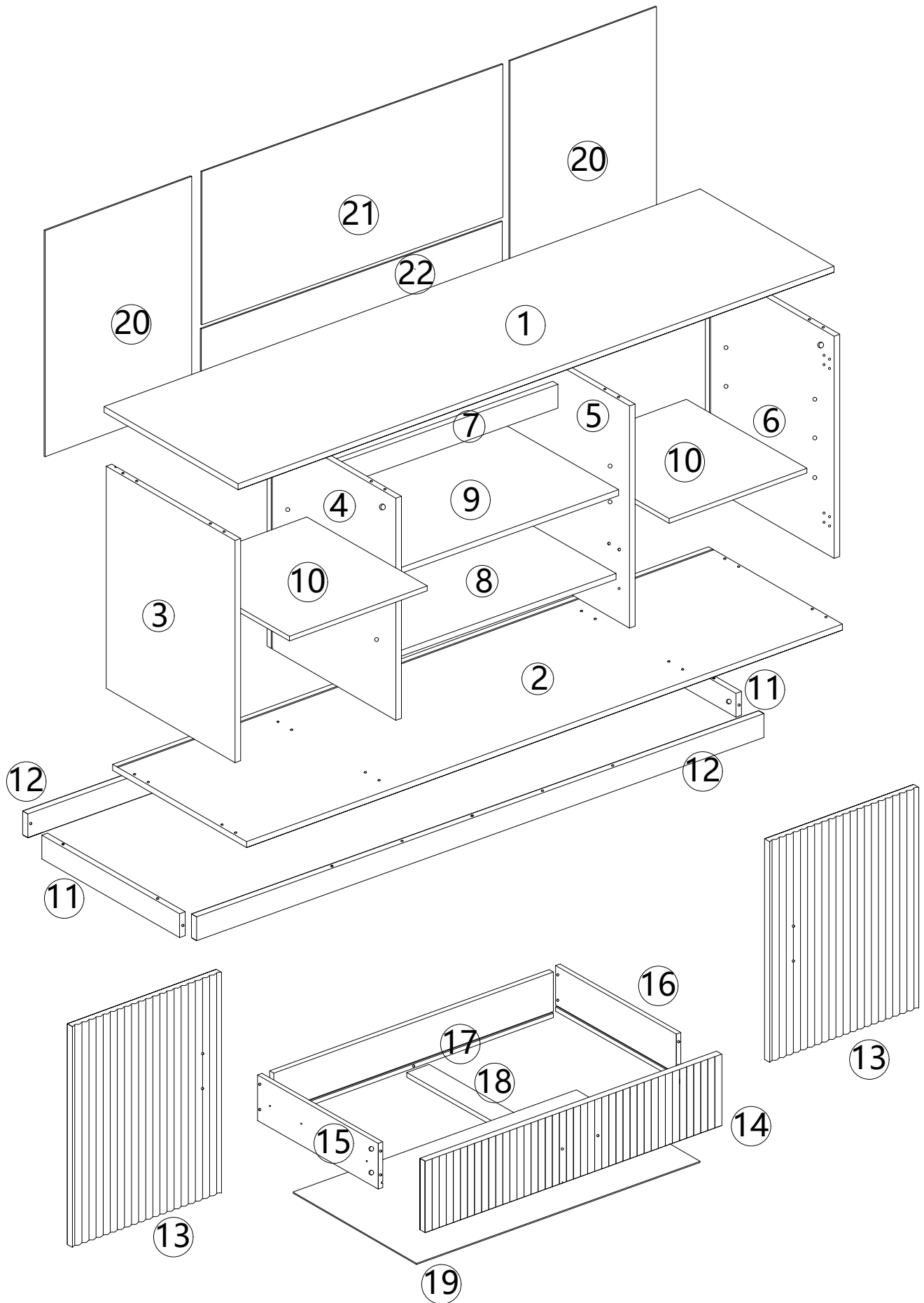
**ASSEMBLY TAKES
ABOUT 90 MINUTES**

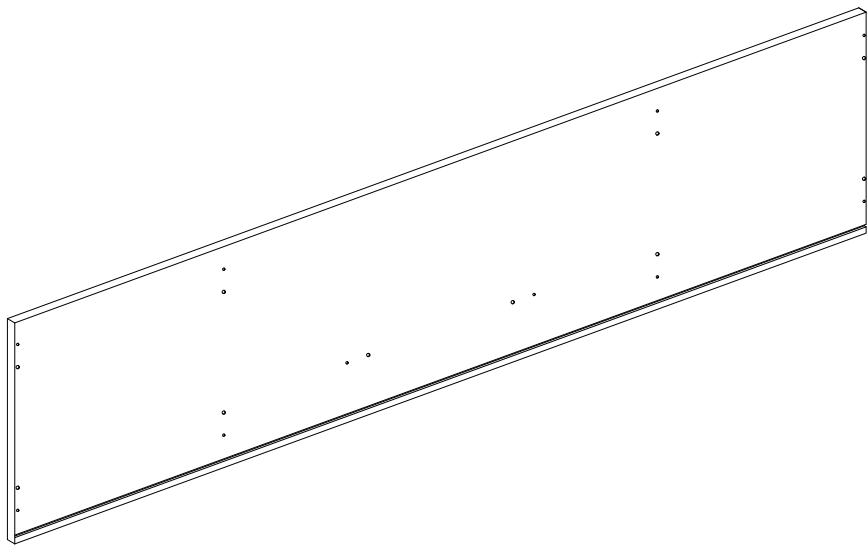


**TWO PERSON
ASSEMBLY**

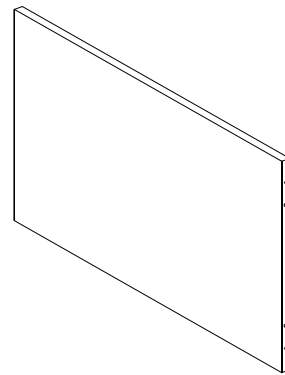


NOT PROVIDED

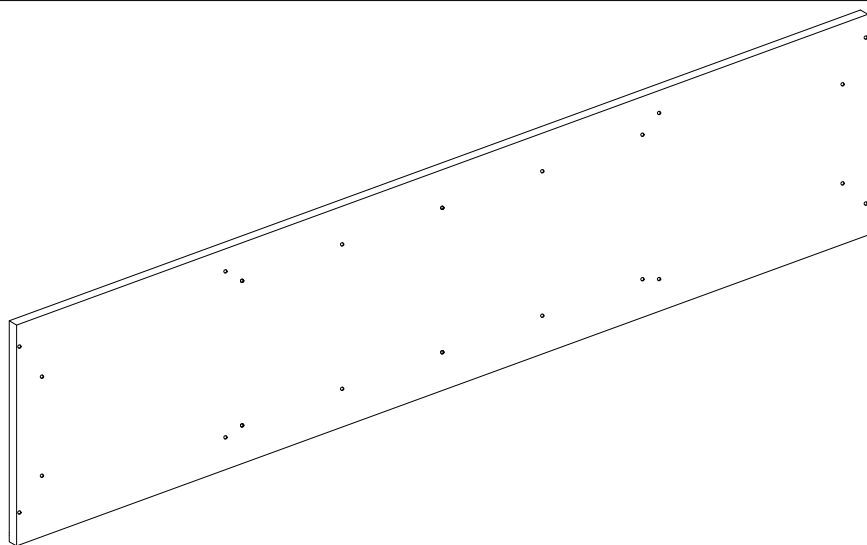




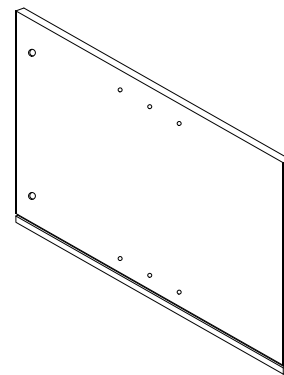
① x1



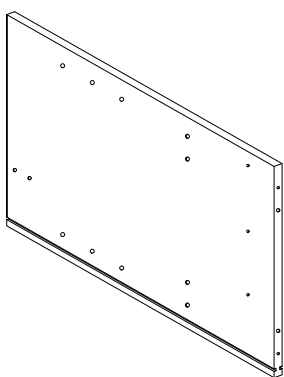
③ x1



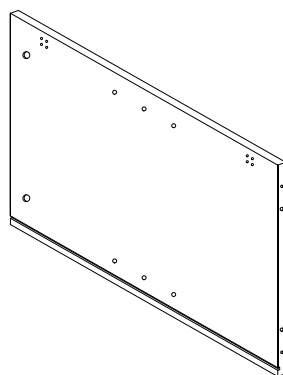
② x1



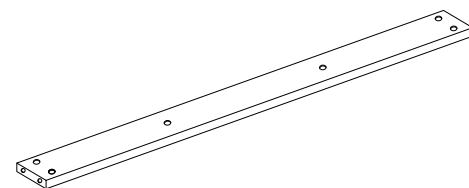
④ x1



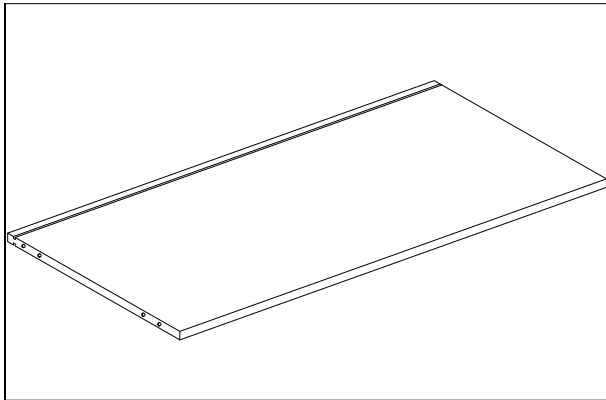
⑤ x1



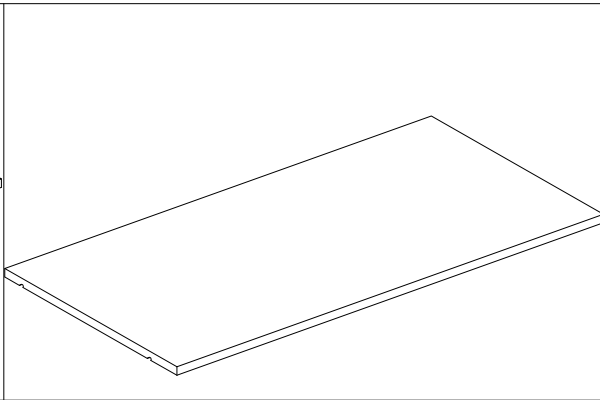
⑥ x1



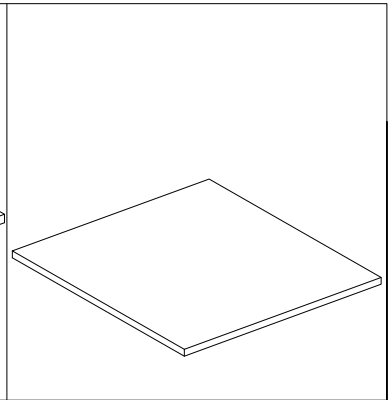
⑦ x1



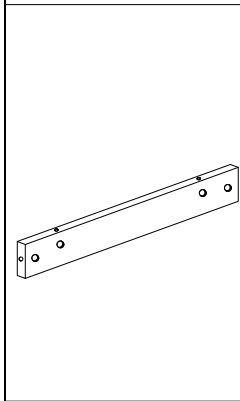
8 x1



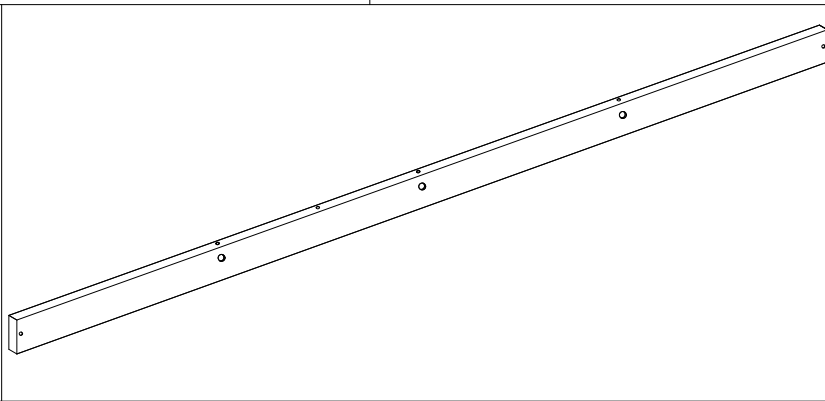
9 x2



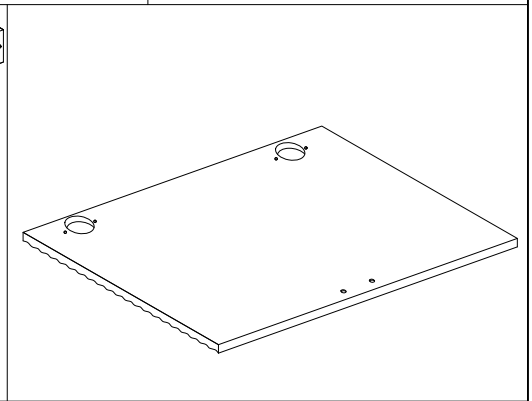
10 x2



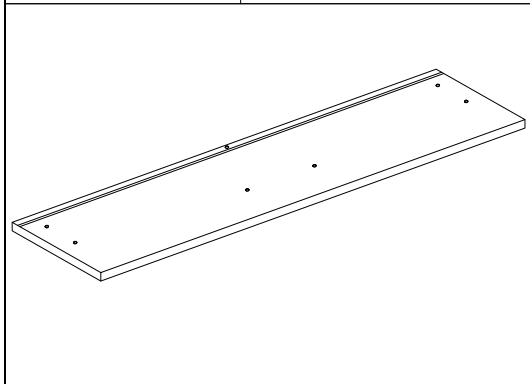
11 x2



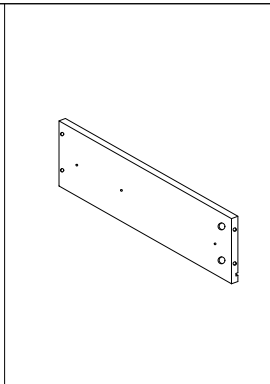
12 x2



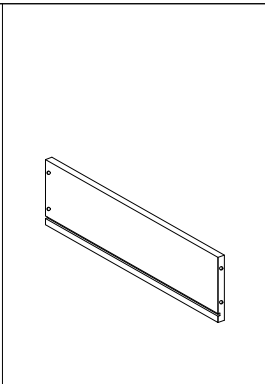
13 x2



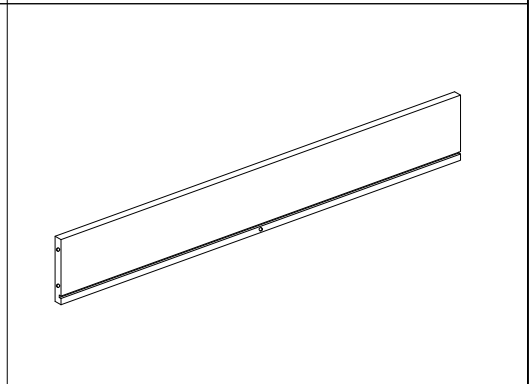
14 x1



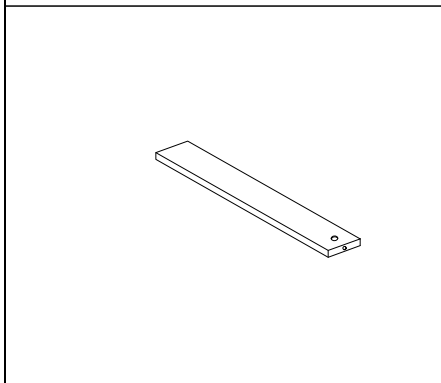
15 x1



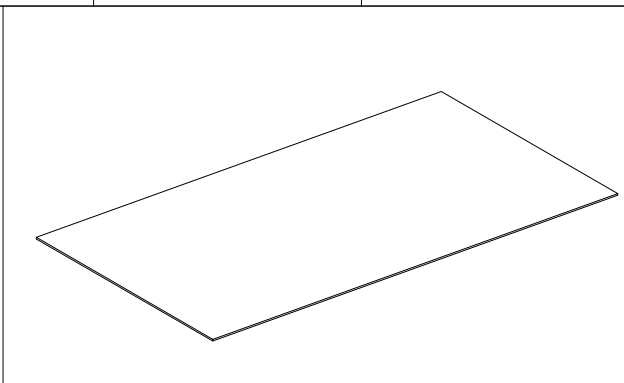
16 x1



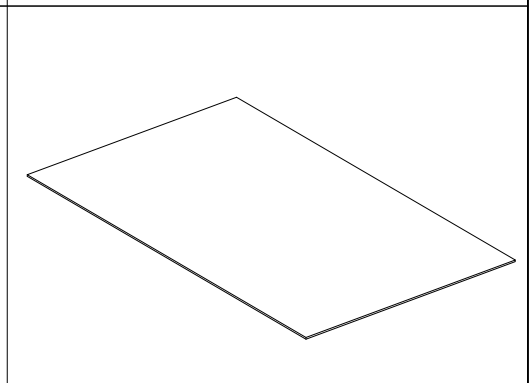
17 x1



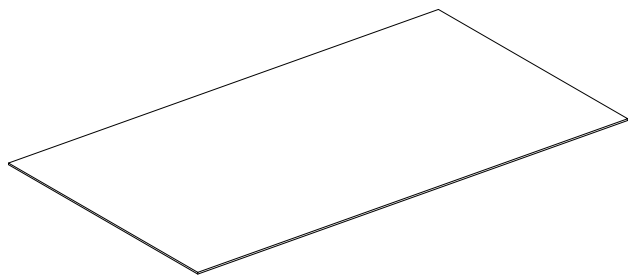
18 x1



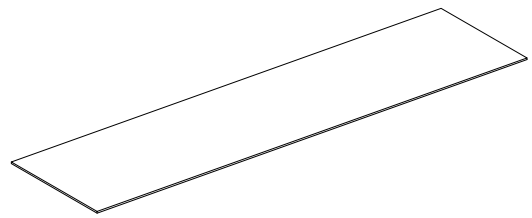
19 x2



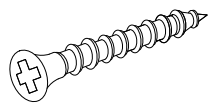
20 x2



21 x1

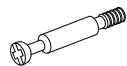


22 x1



Ø5x45mm

Ax8



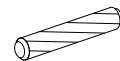
Ø6x33.5mm

Bx37+2



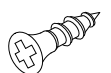
Ø15x9..5mm

Cx37+2



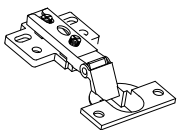
Ø6x30mm

Dx26+2



Ø4x12mm

Ex24+2

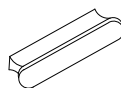


Fx4



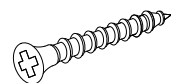
Ø4x18mm

Gx6



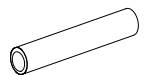
Ø124

Hx3



Ø4x35mm

Ix5



Ø5x20mm

Jx12+1

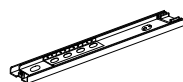


Ø3x12mm

Kx28+2



Lx16+1



Mx2



Nx2

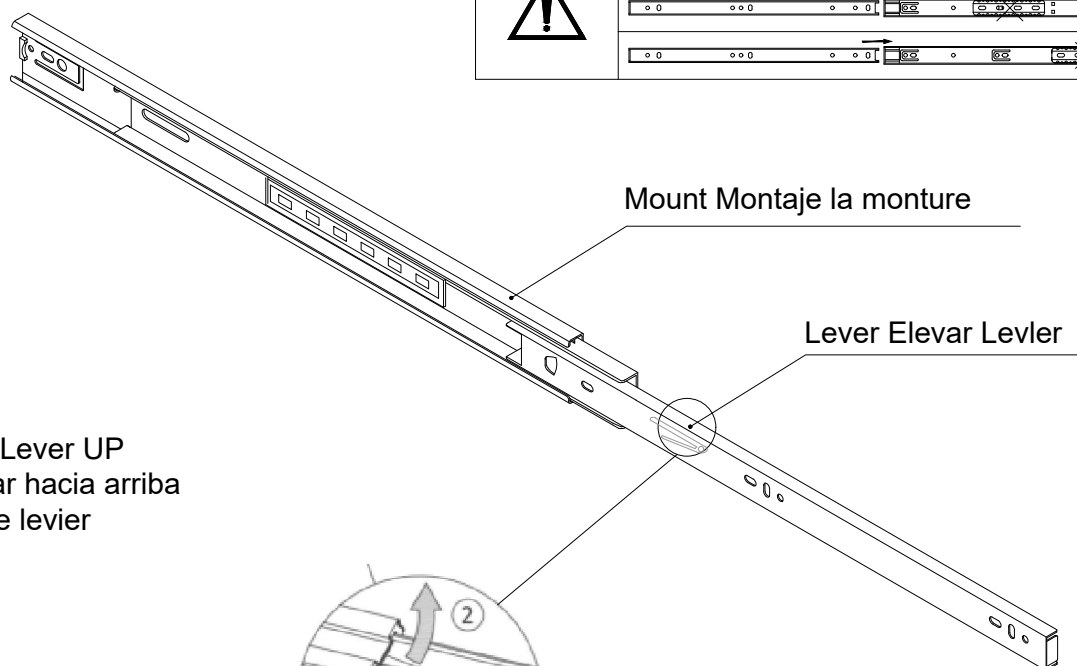
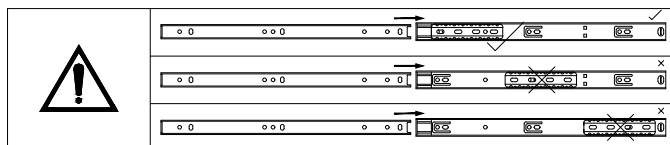
**Slides Must Be Separated Before Assembly.
After Separated, Set Aside Until Needed for Assembly.**

Las diapositivas deben separarse antes del montaje.
Después de la separación, déjelo a un lado hasta que sea necesario.

Les glissières doivent être séparées avant l'assemblage.
Après la séparation, mettez de côté jusqu'au moment de l'assemblage.

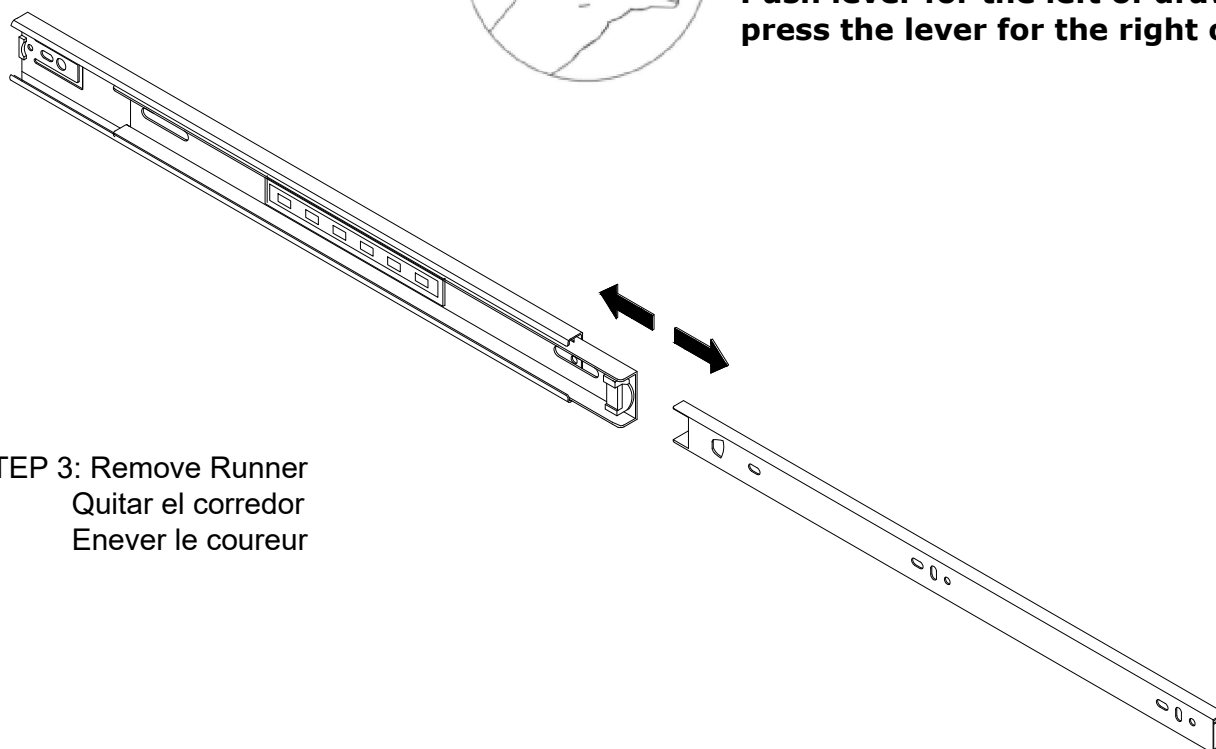
**Pay attention when connecting !
The sliding module must be at the front end.**

STEP 1 : Extend Slide
Extender la diapositiva



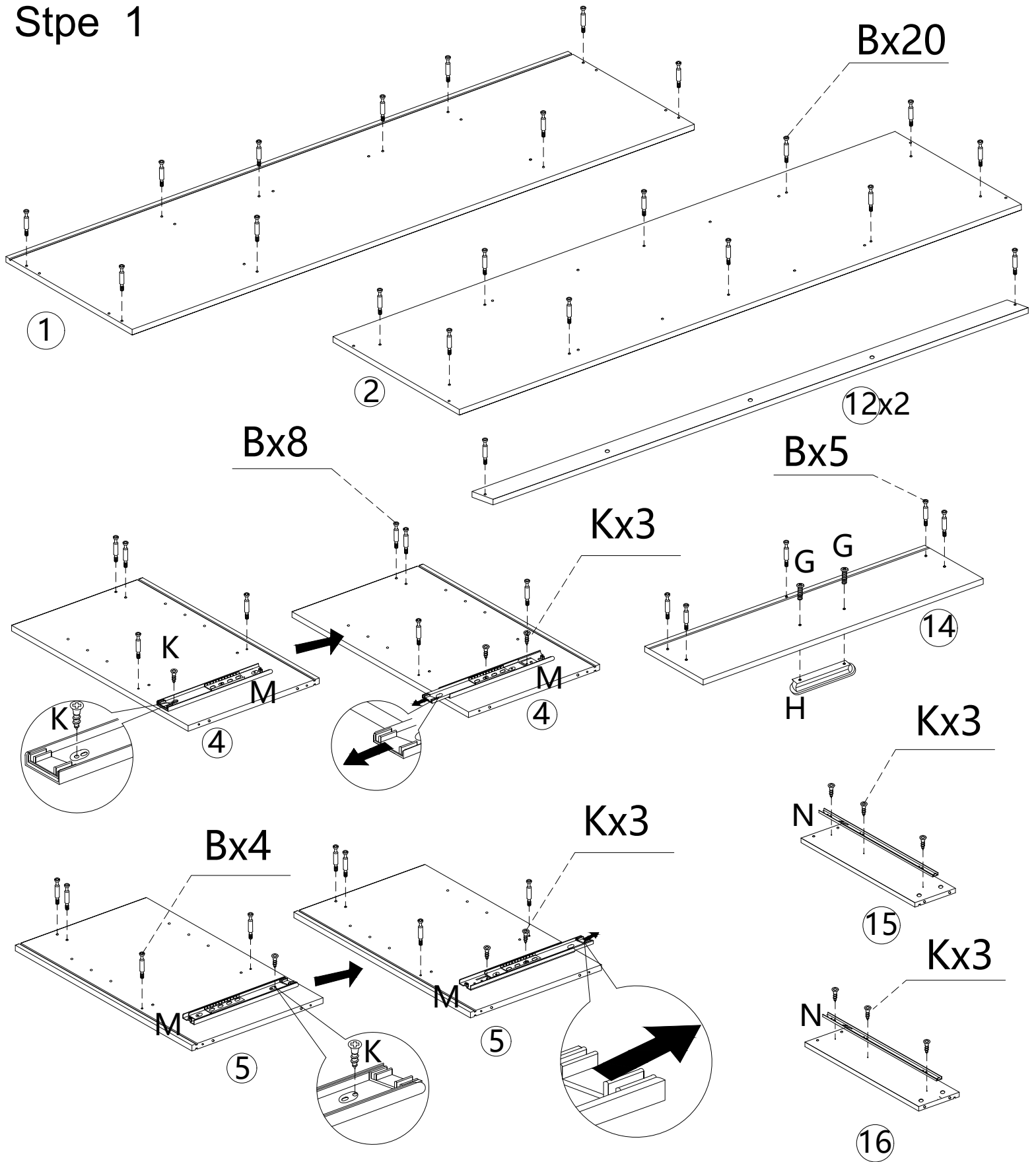
STEP 2: Push Lever UP
Empujar hacia arriba
Levier le levier

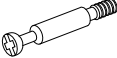

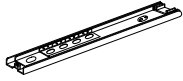

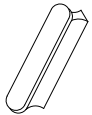

**Push lever for the left of drawer ,
press the lever for the right of drawer.**



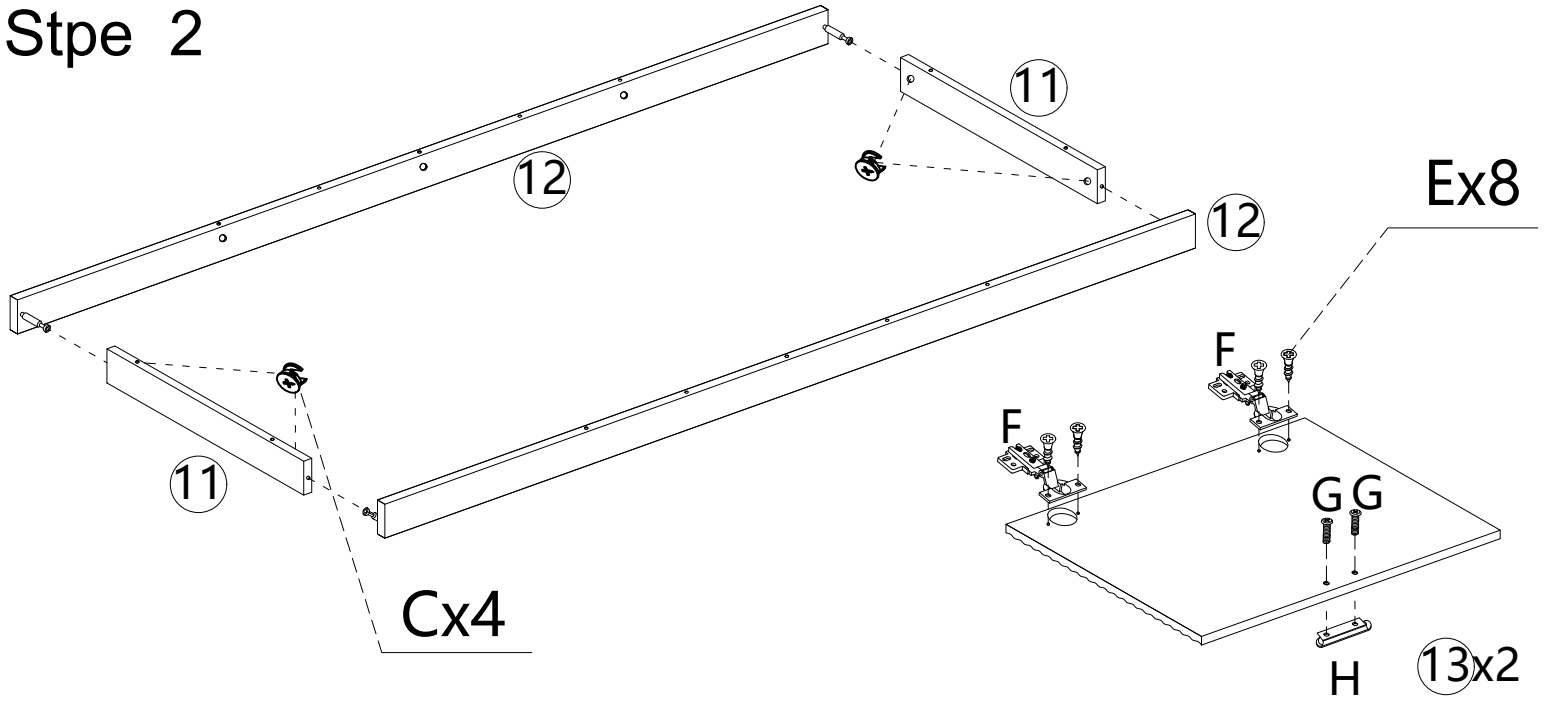
STEP 3: Remove Runner
Quitar el corredor
Enever le coureur


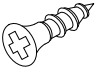
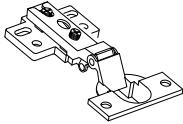

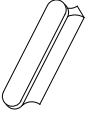
Step 1



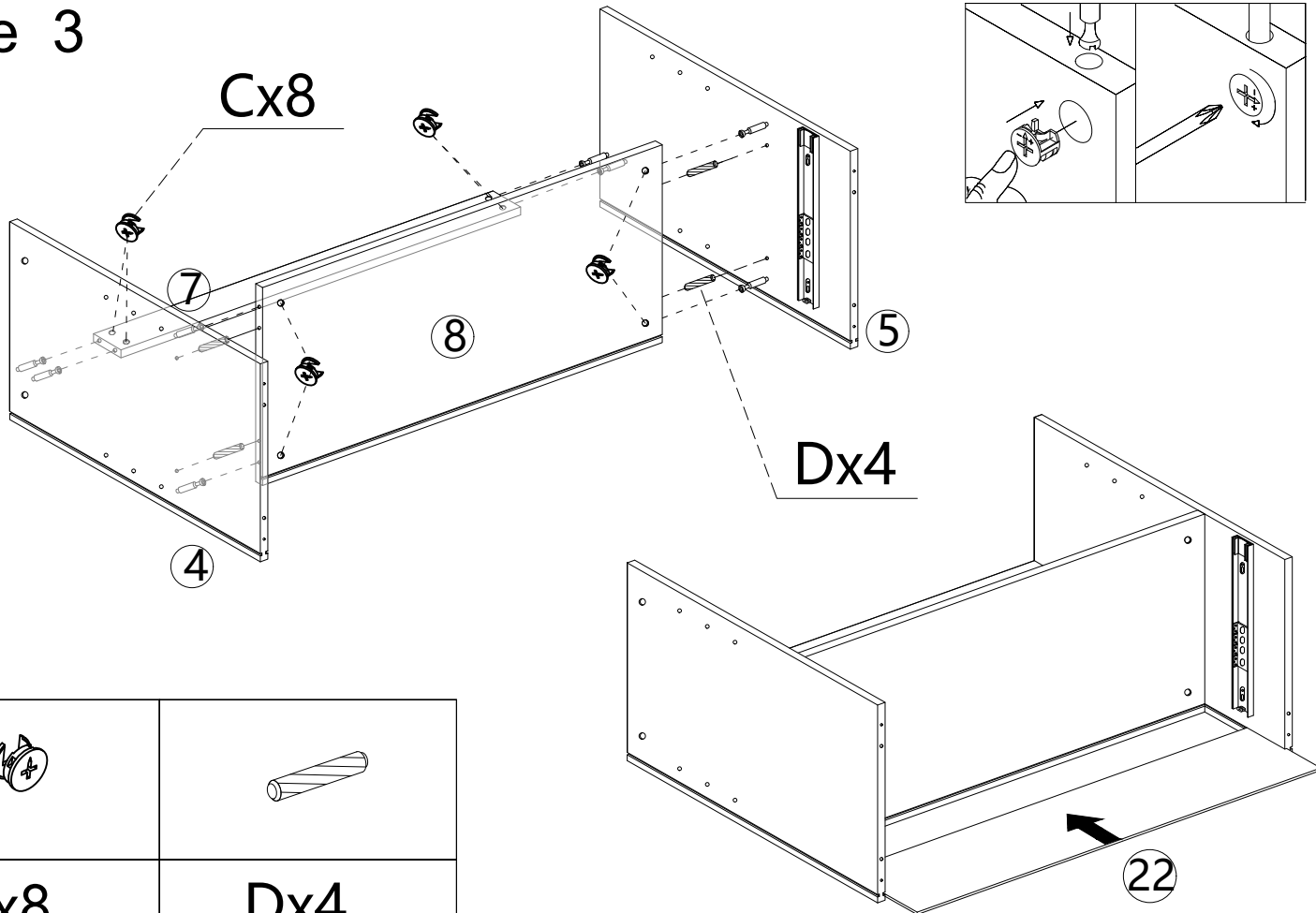
					
Bx37	Kx12	Mx2	Nx2	Hx1	Gx2


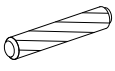
Step 2



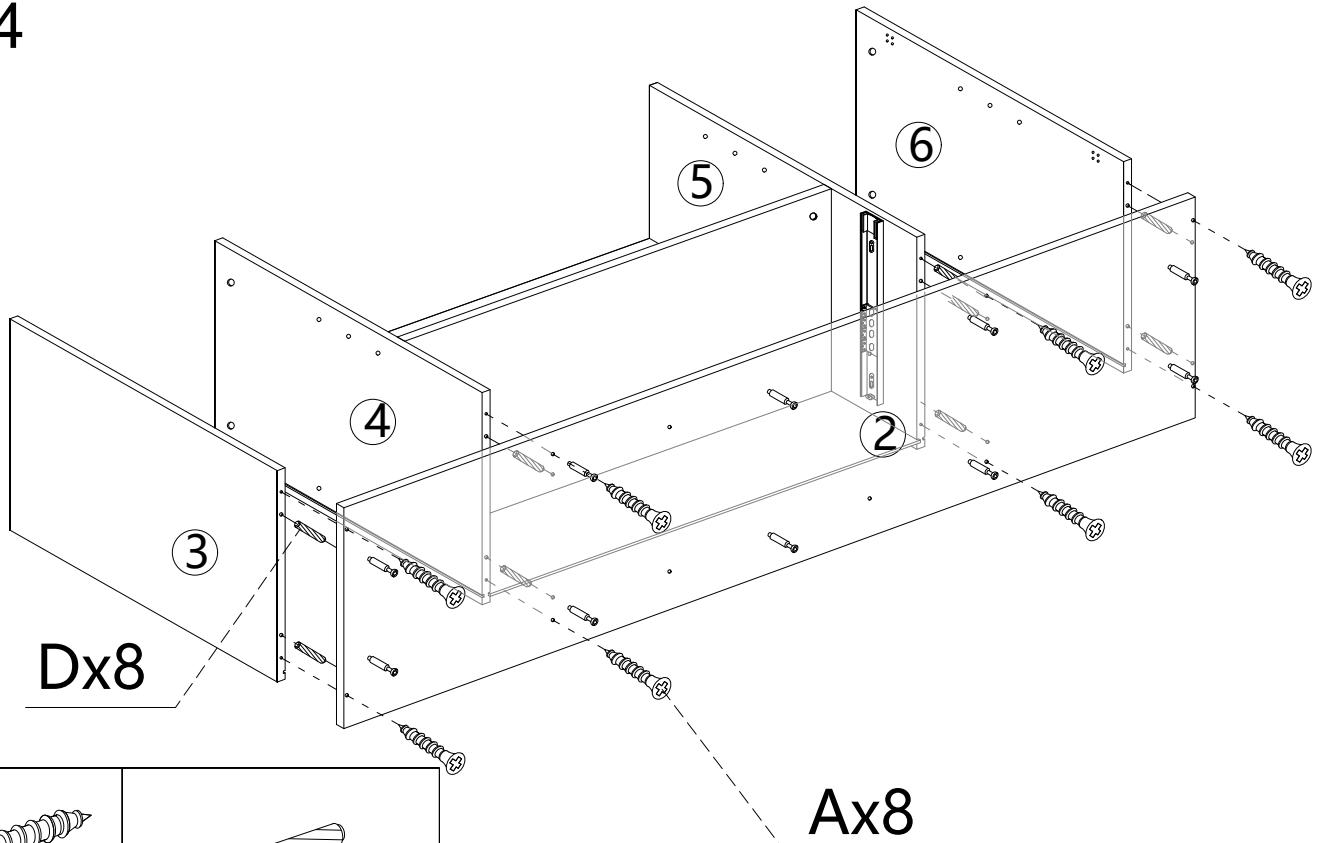
				
Cx4	Ex8	Fx4	Gx4	Hx2

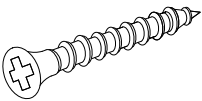

Step 3

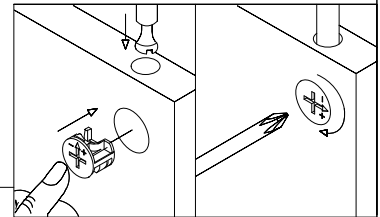


	
Cx8	Dx4

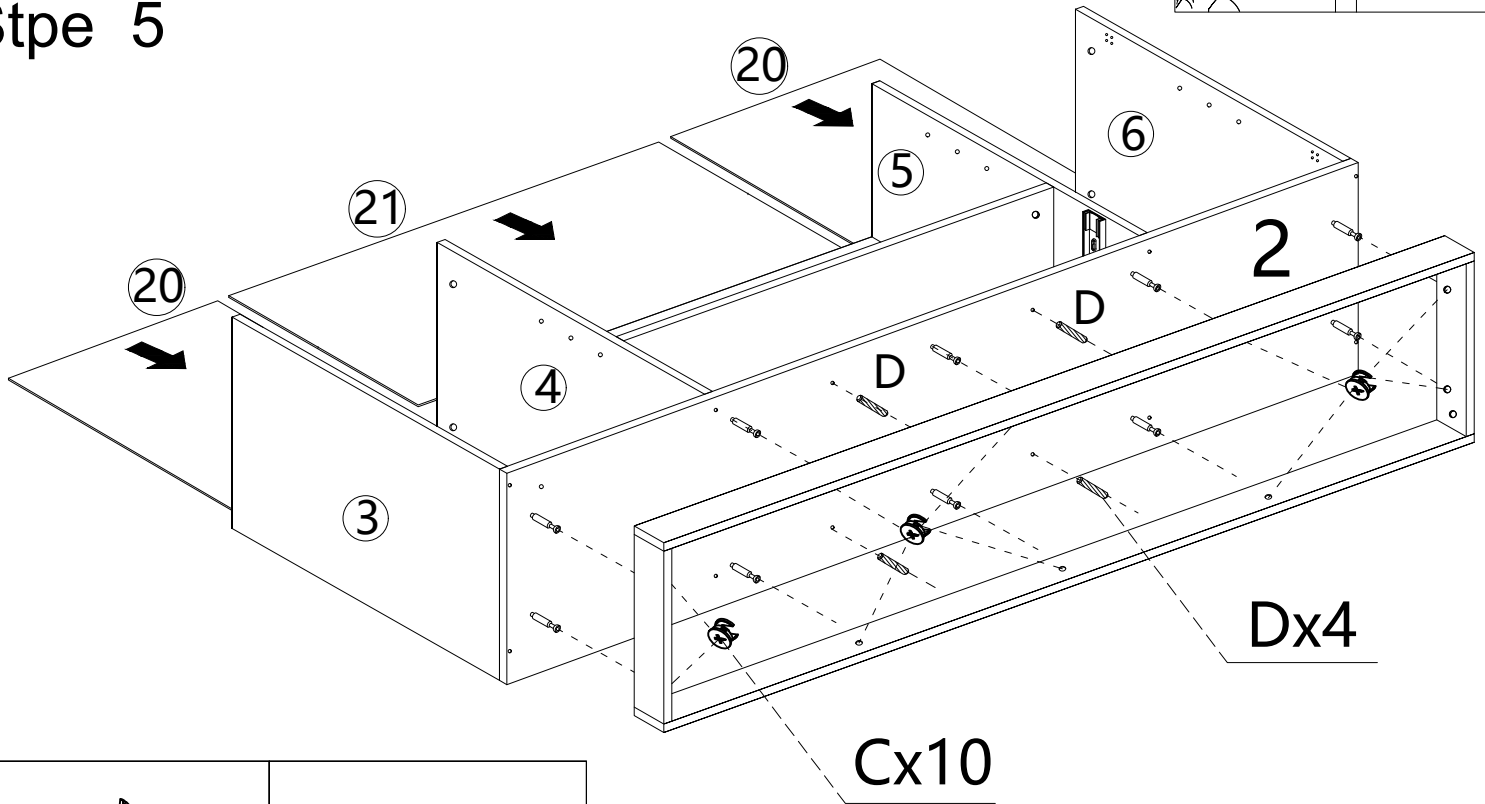
Step 4





	
Ax8	Dx8

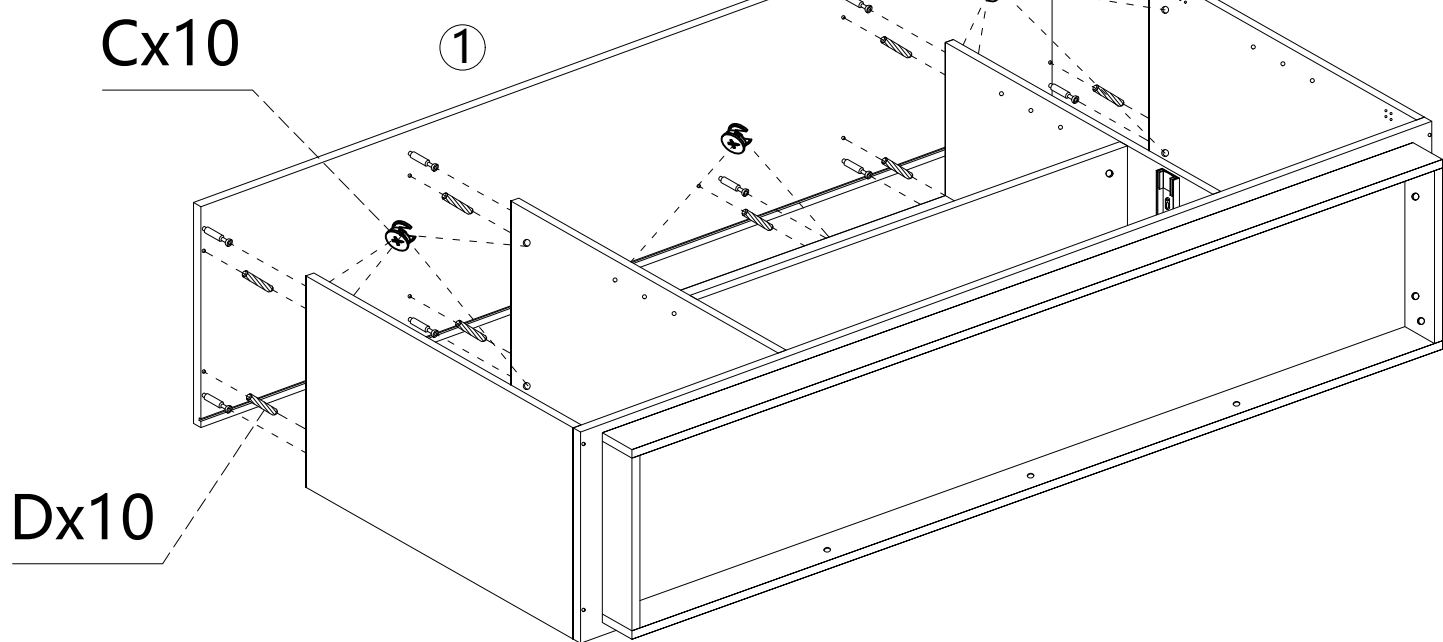




Step 5

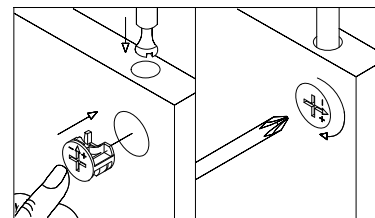


	
Cx10	Dx4

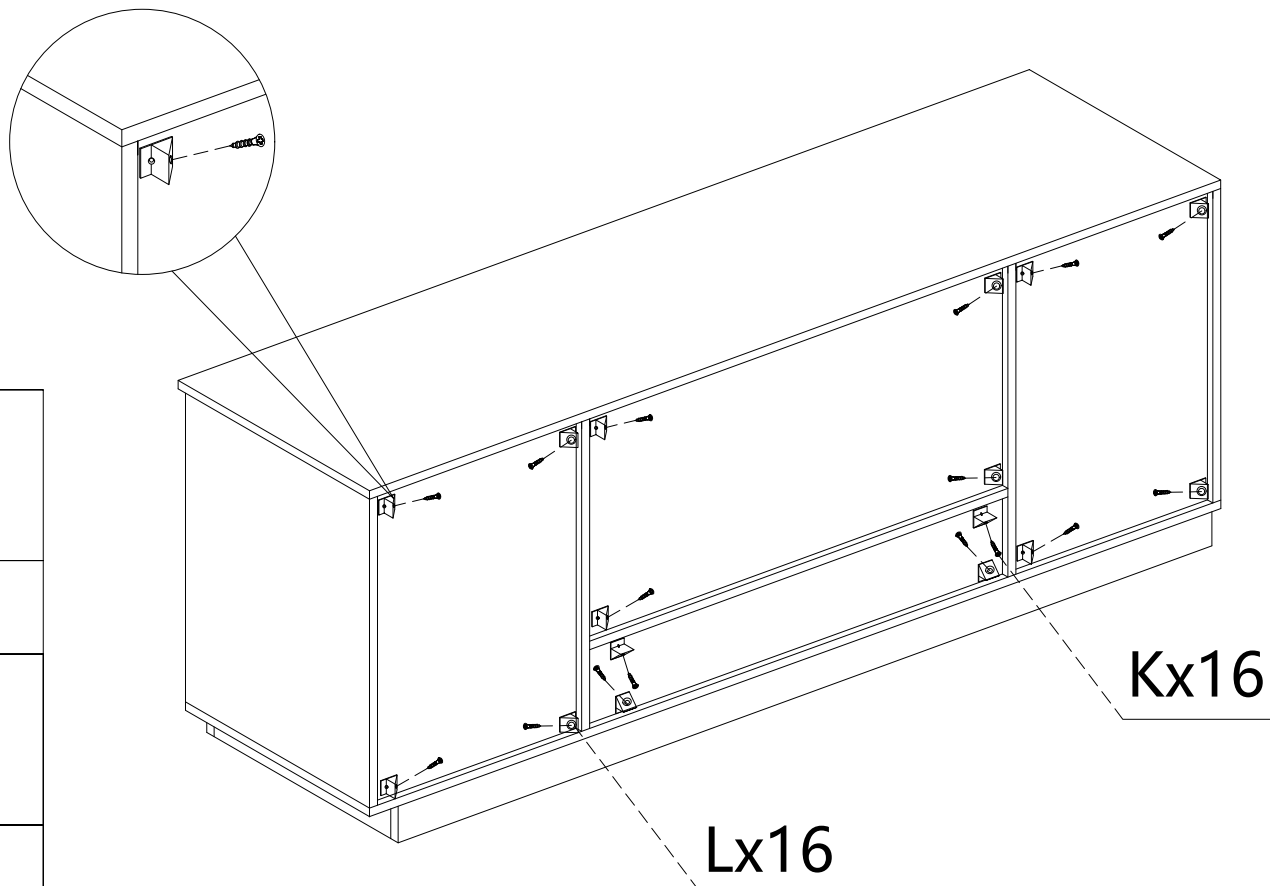
Step 6


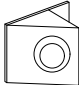


	
Cx10	Dx10

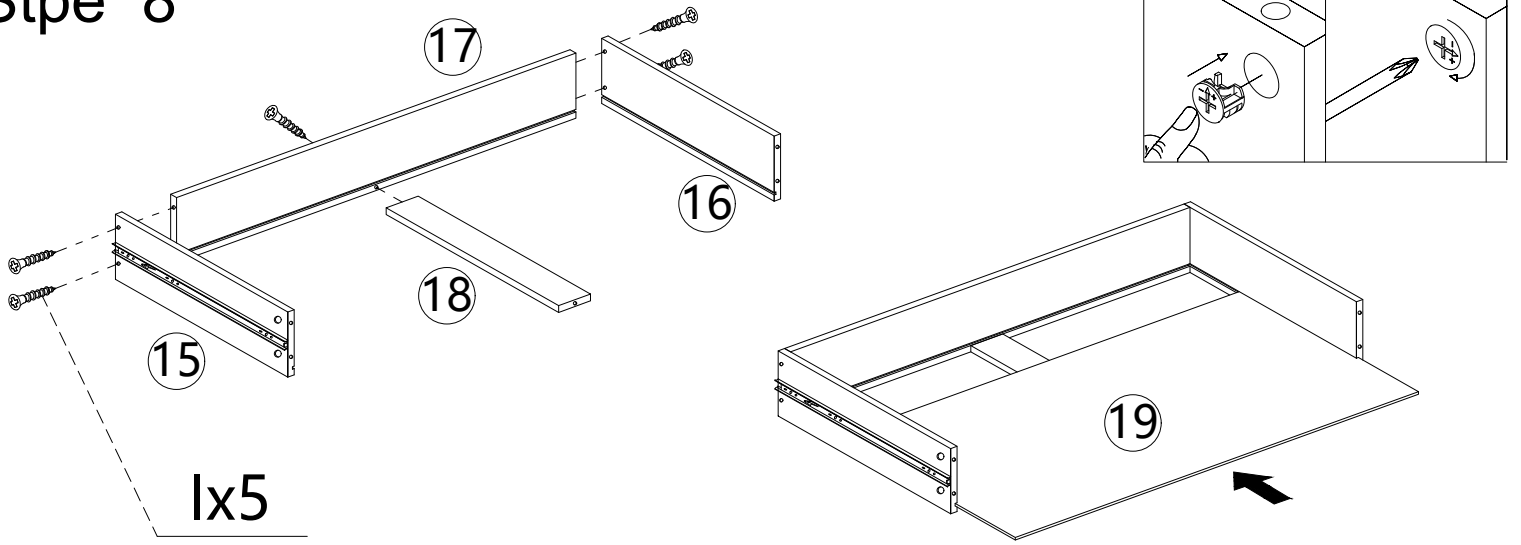


Step 7



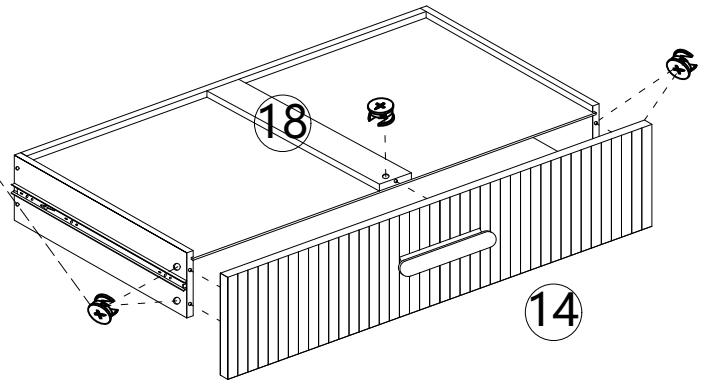

Kx16

Lx16


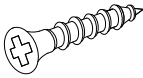
Step 8



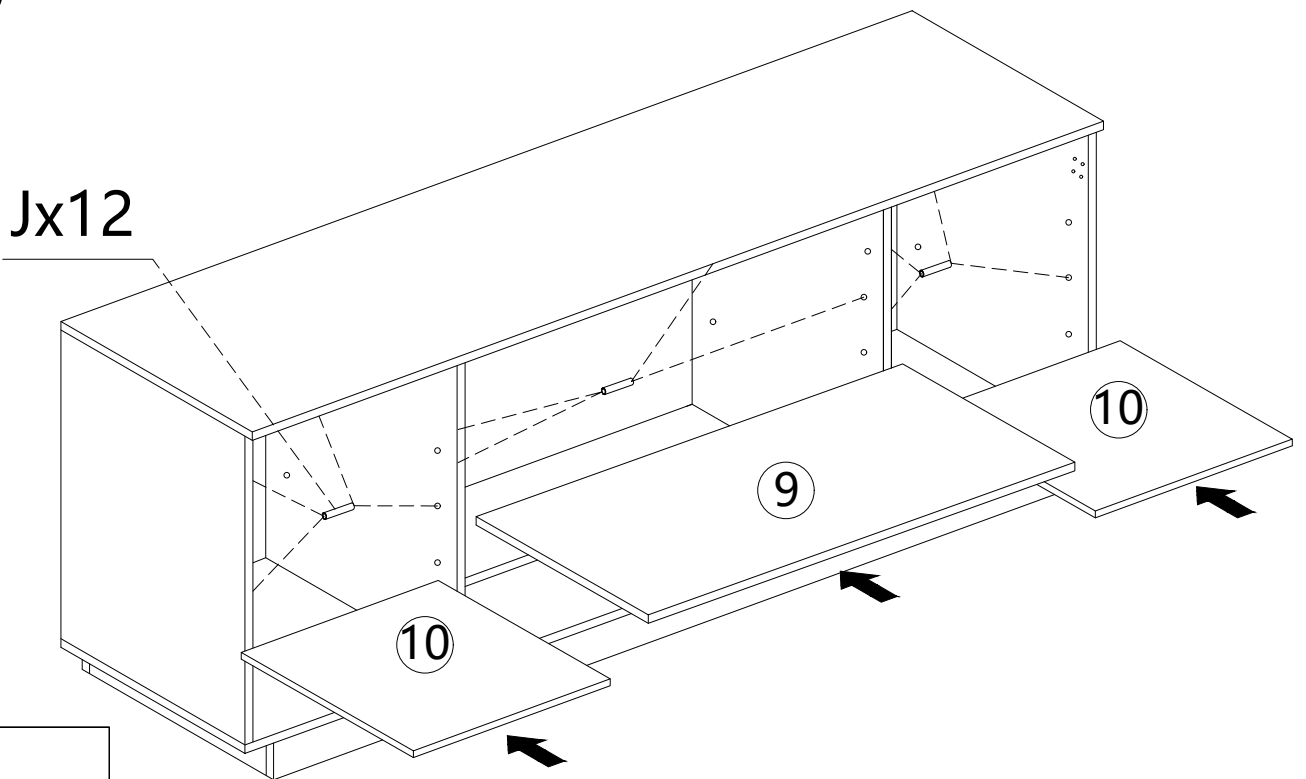
1x5

Cx5




	
Cx5	1x5

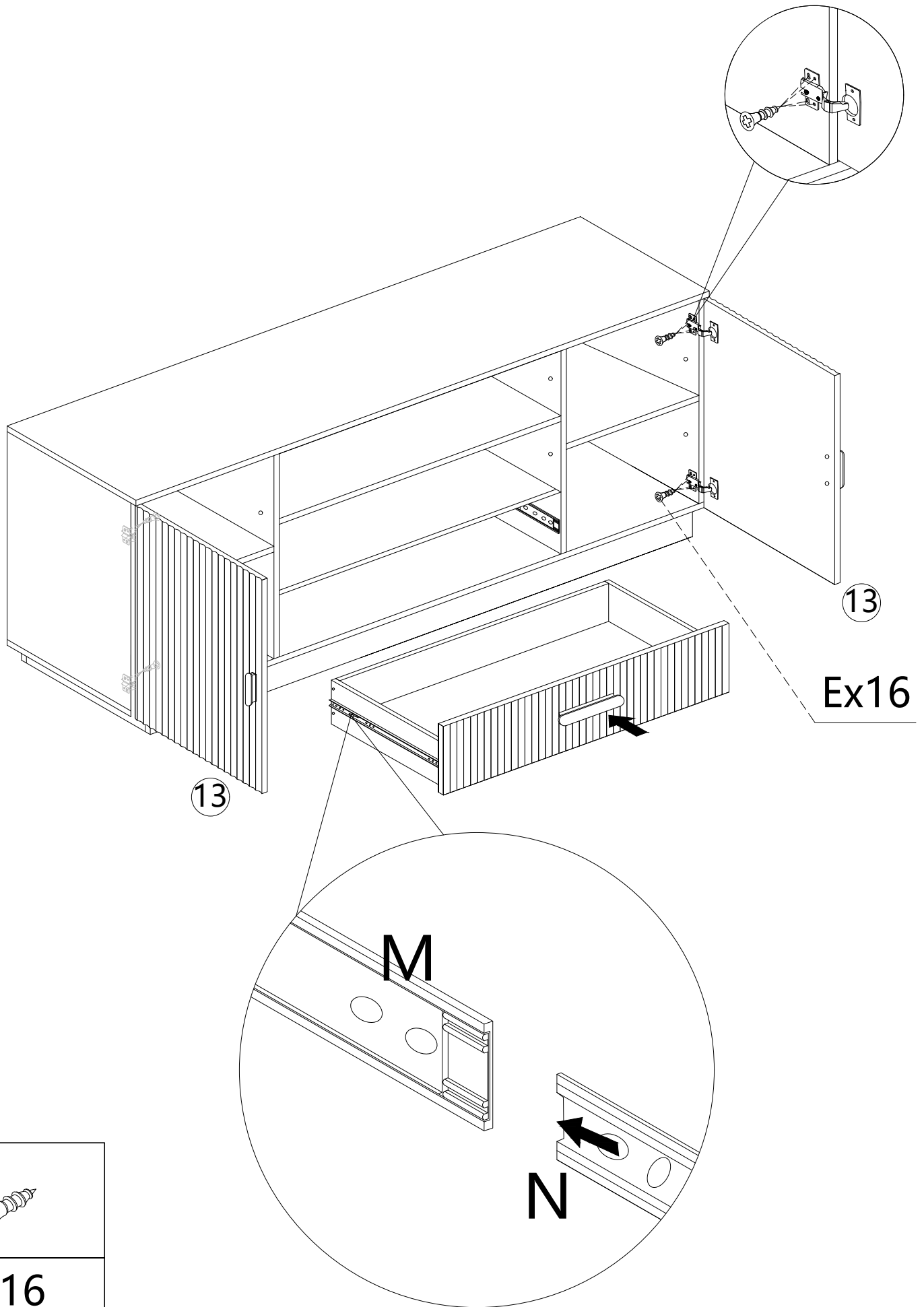
Step 9

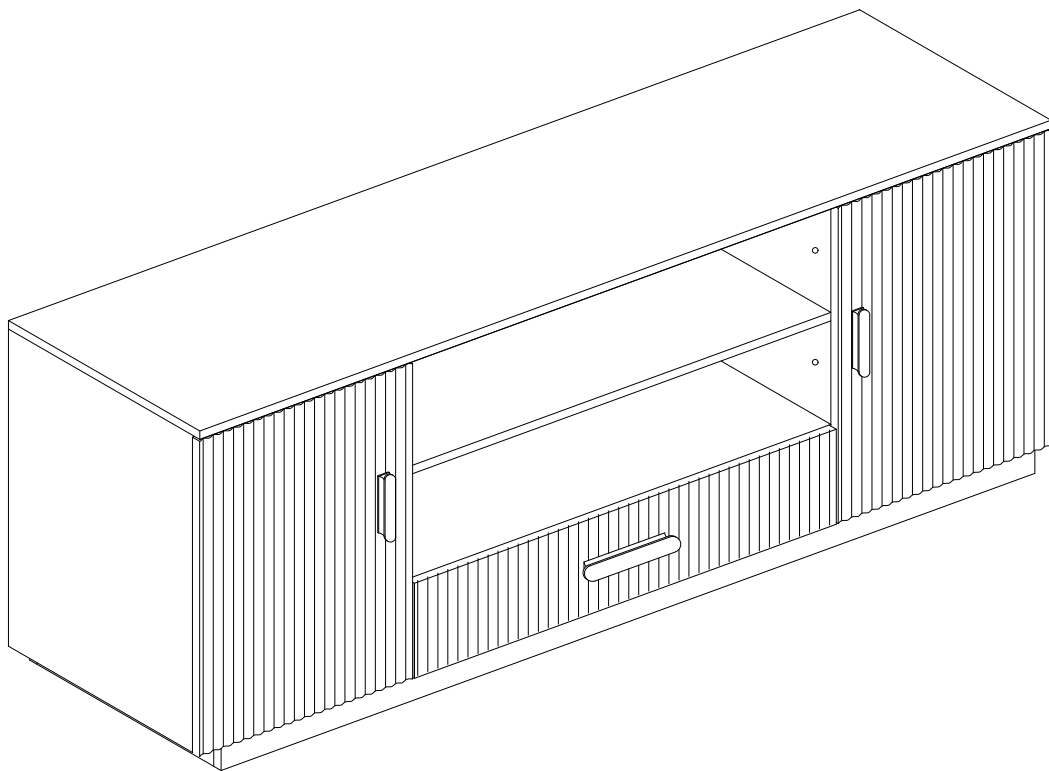


Jx12


Jx12

Step 10





Congratulations! You have completed all the installation steps and can now enjoy your new furniture.