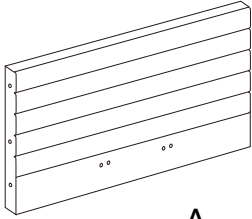


# C.KING/E.KING ASSEMBLY INSTRUCTIONS

## BOX#1

A. HEADBOARD

1 PC



A

## BOX#2

B. SIDE RAIL

2 PCS

C. FOOTBOARD

1 PC

D. SLAT

39 PCS

E. CENTER SLAT SUPPORT

2 PCS

F. SIDE RAIL SLAT CLIP

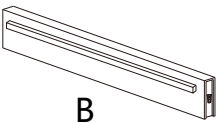
26 PCS

G. CENTER SUPPORT SLAT CLIP

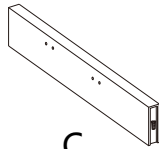
26 PCS

H. SLAT SUPPORT LEG

4 PCS



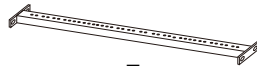
B



C



D



E



F



G



H

## BOX#3

I. LEFT HEADBOARD POST

1PC

J. RIGHT HEADBOARD POST

1PC

K. LEFT FOOTBOARD POST

1PC

L. RIGHT FOOTBOARD POST

1PC

M. SHORT CROSSBAR

2PCS

N. LONG CROSSBAR

2PCS



I



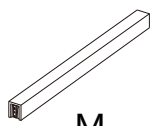
J



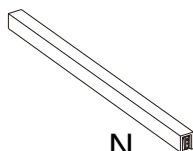
K



L



M

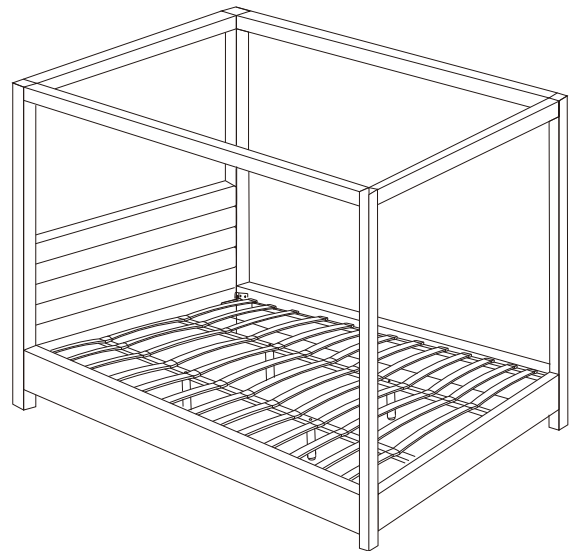


N

## HARDWARE KIT PACKED IN BOX #2

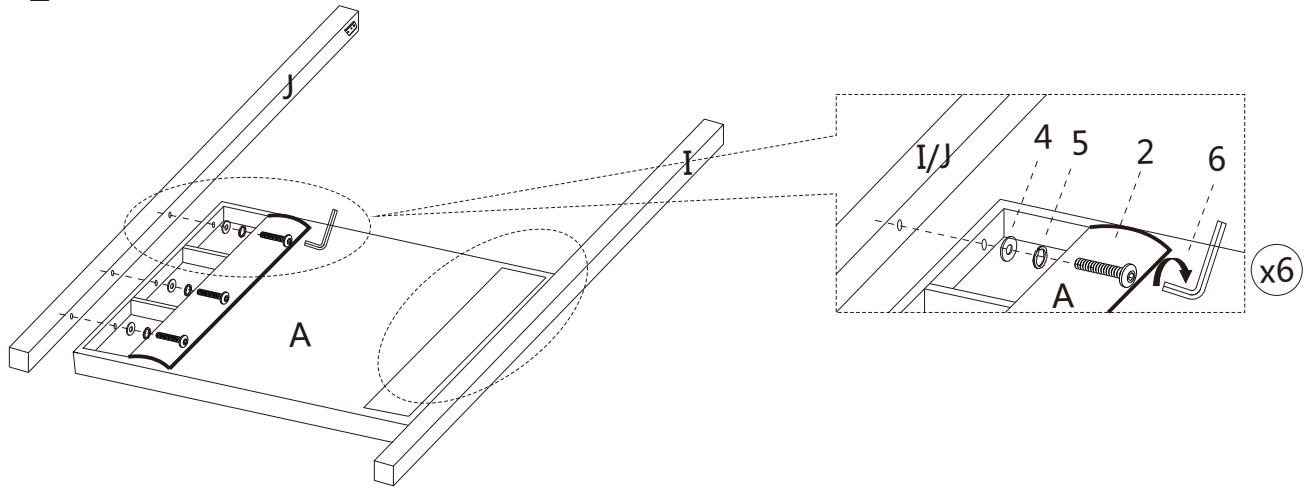
1	ALLEN BOLT(5/16"x1-1/4")		8 PCS
2	ALLEN BOLT(5/16"x1-1/2")		6 PCS
3	ALLEN BOLT(5/16"x2-1/2")		4 PCS
4	FLAT WASHER(5/16")		18 PCS
5	LOCK WASHER(5/16")		18 PCS
6	ALLEN KEY(5/16")		1 PC

## ROCKFORD UPHOLSTERED CANOPY BED FULLY ASSEMBLED

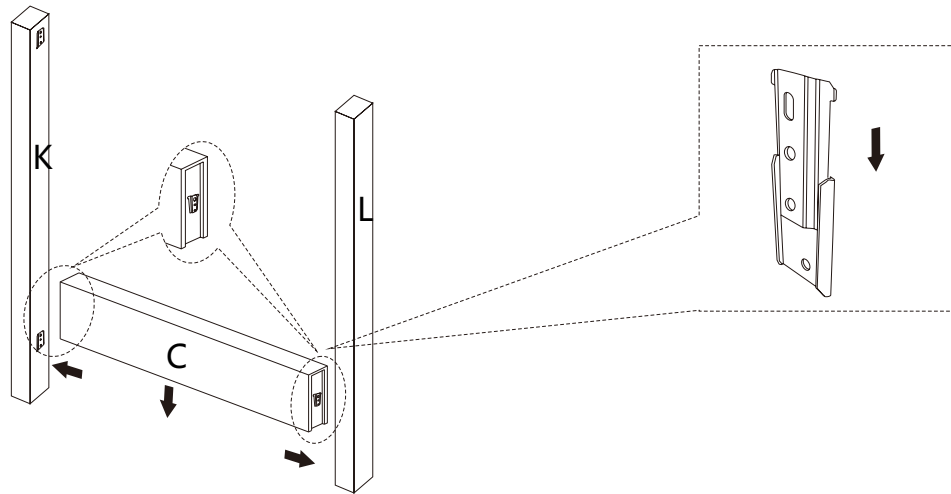


# C.KING/E.KING ASSEMBLY INSTRUCTIONS

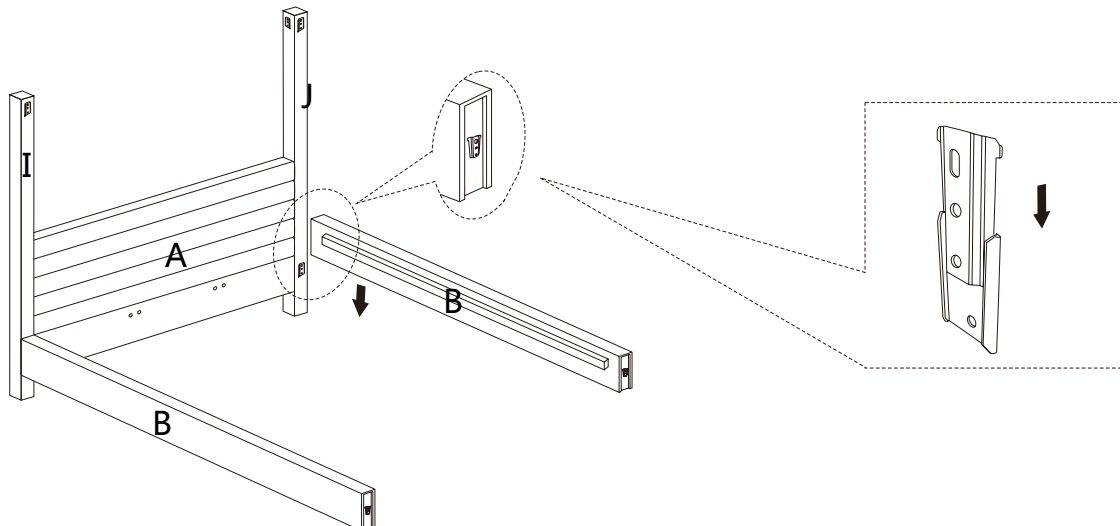
## STEP 1



## STEP 2

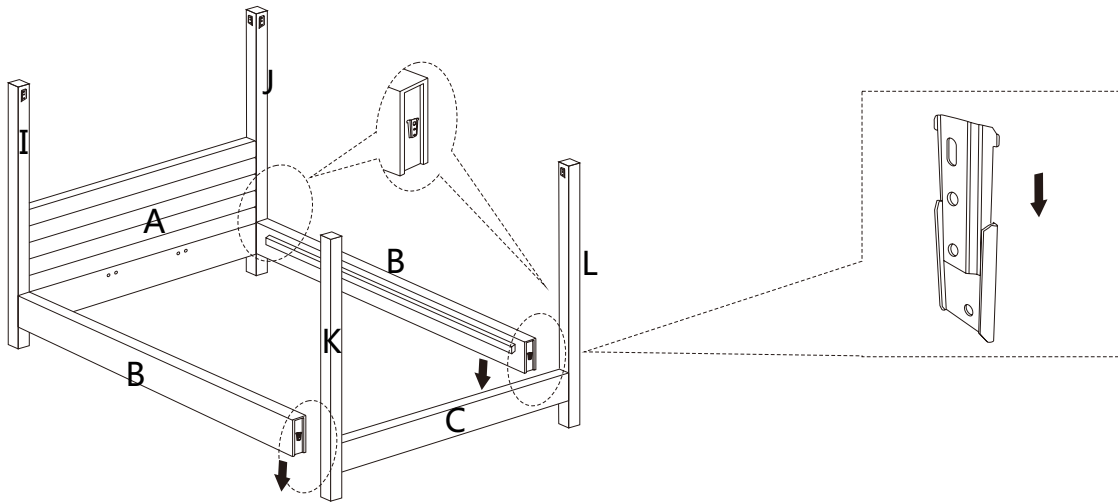


## STEP 3

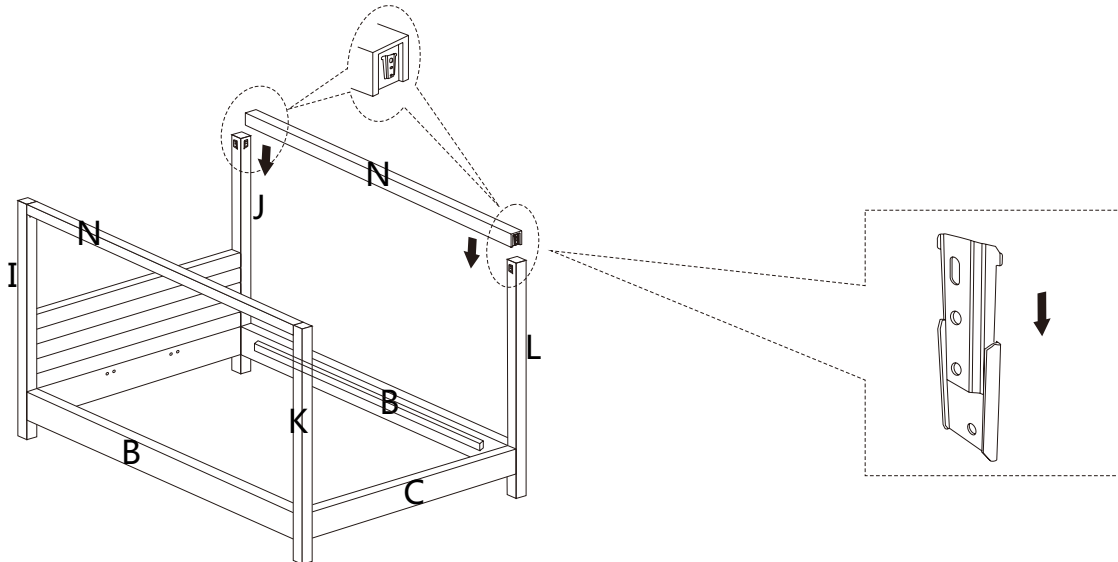


# C.KING/E.KING ASSEMBLY INSTRUCTIONS

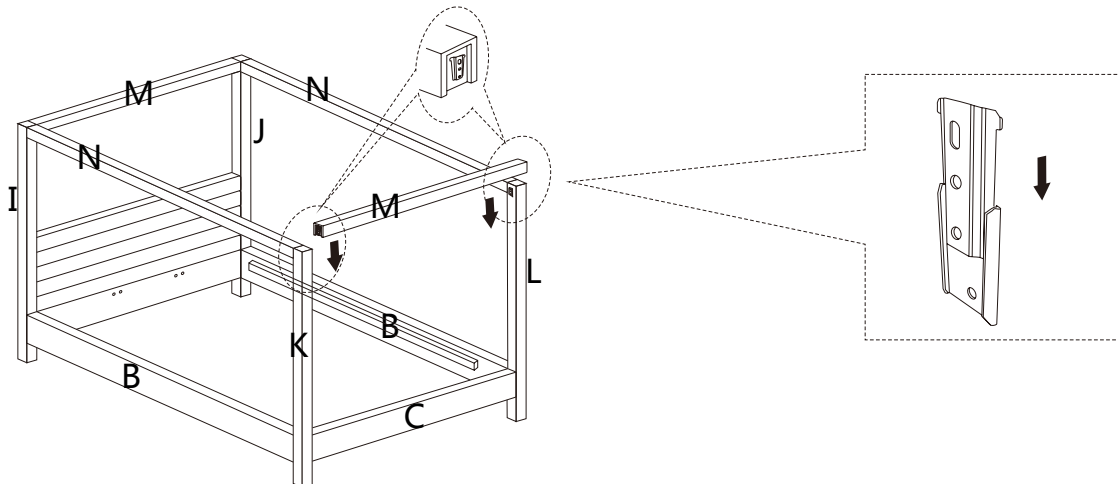
## STEP 4



## STEP 5



## STEP 6

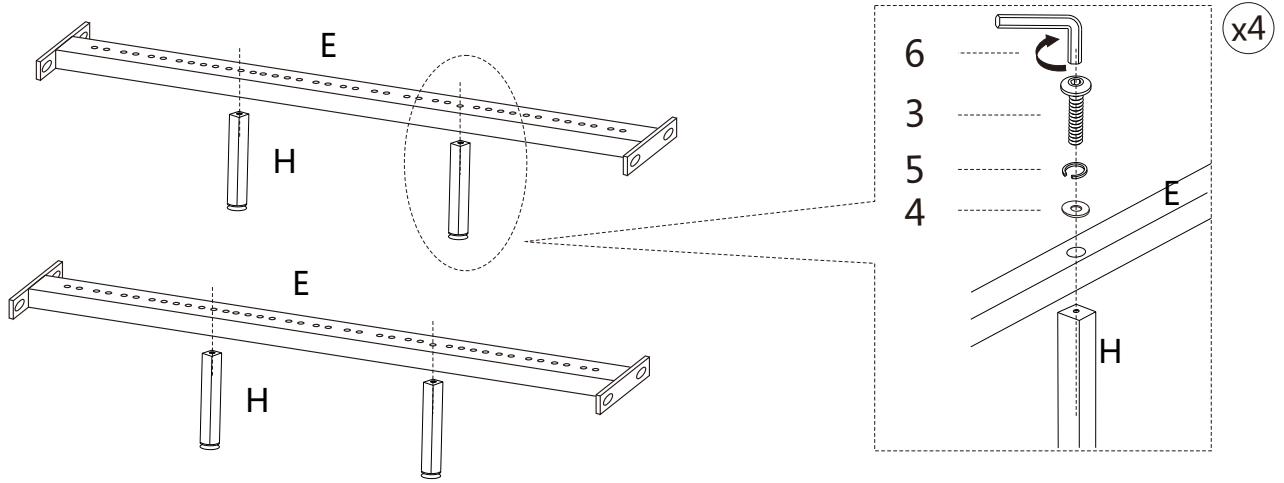


### STOP

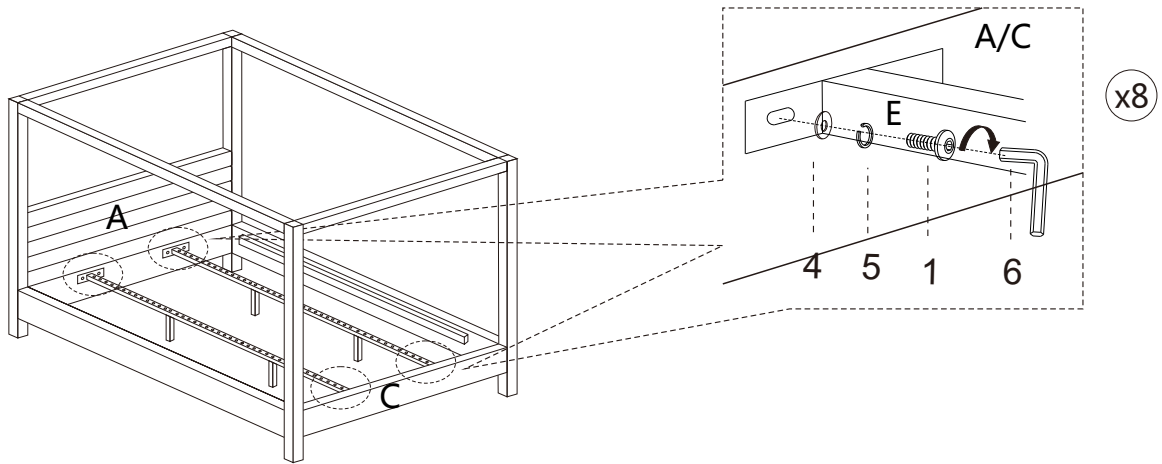
- IF USING BED WITH AN ADJUSTABLE MATTRESS BASE, SKIP STEPS 7,8,9 &10 AND REFERENCE APPENDIX A: ADJUSTABLE MATTRESS BASE ASSEMBLY SUPPLEMENT.
- IF USING BED FRAME WITH STANDARD BOX SPRING OR FOUNDATION, CONTINUE TO STEP 7.

# C.KING/E.KING ASSEMBLY INSTRUCTIONS

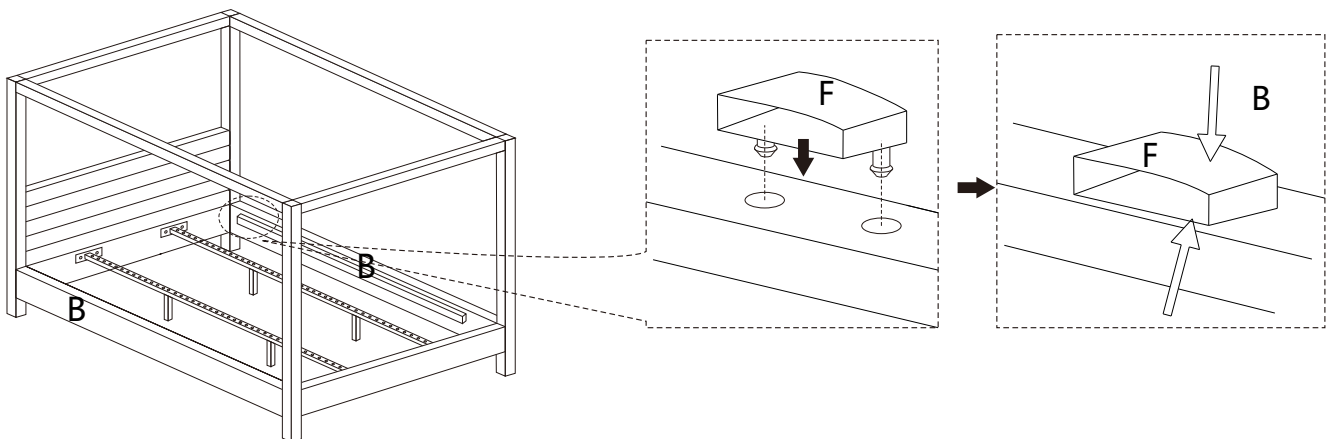
## STEP 7



## STEP 8

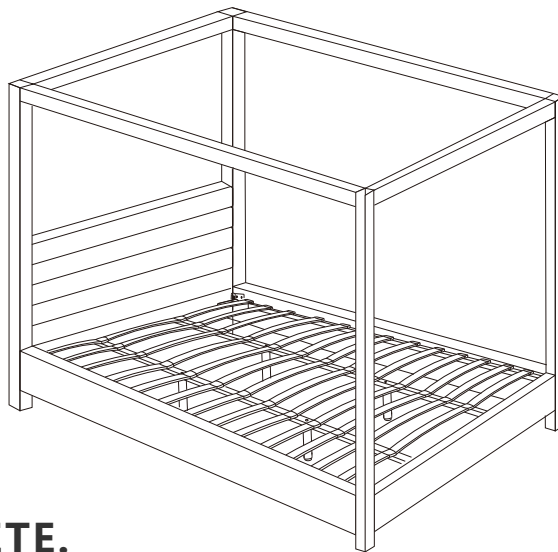
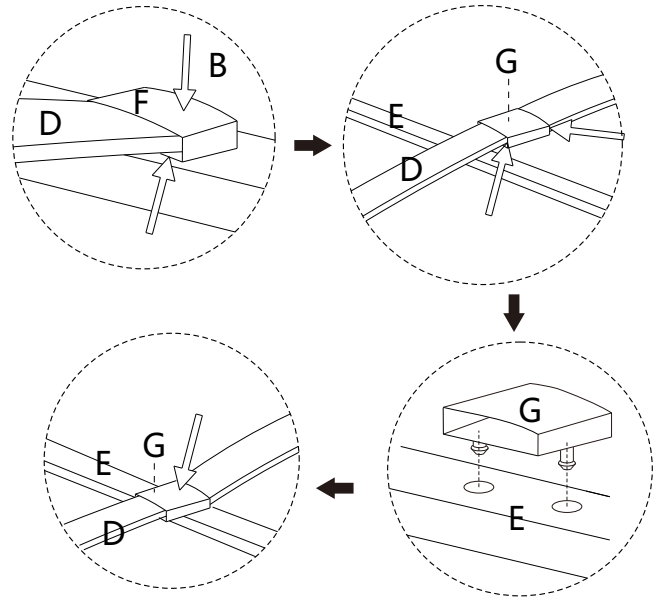
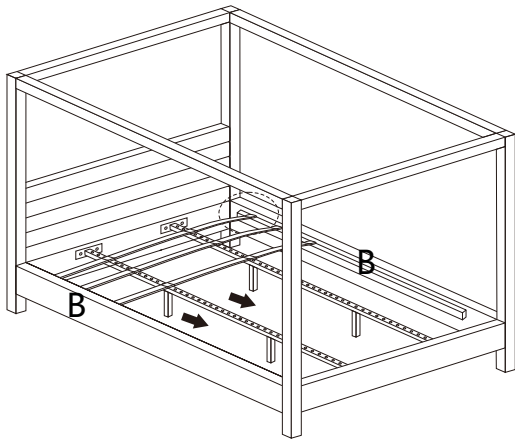


## STEP 9: STARTING FROM HEADBOARD



# C.KING/E.KING ASSEMBLY INSTRUCTIONS

## STEP 10



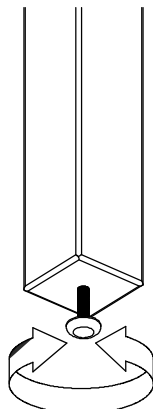
**ASSEMBLY COMPLETE.**

### INSTRUCTIONS FOR ADJUSTING LEVELERS:

POSITION THE BED IN YOUR ROOM.  
LOCATE LEVELERS UNDER EACH  
SUPPORT LEG ( H ).

TURN COUNTER-CLOCKWISE TO  
EXTEND, CLOCKWISE TO RETRACT.

ADJUST LEVELERS UNTIL EACH LEG  
SUPPORT IS APPLYING EQUAL UPWARD  
PRESSURE ON THE CENTER SLAT.



### MAINTENANCE INSTRUCTIONS:

- PERIODICALLY CHECK ALL FITTINGS AND TIGHTEN IF NECESSARY, AS THEY CAN LOOSEN OVER TIME.
- ALWAYS REMOVE BOX SPRING AND MATTRESS BEFORE MOVING THE BED.
- LIFT THE BED WHEN MOVING IT. DRAGGING THE BED CAN DAMAGE THE CENTER SUPPORT.
- READJUST LEVELERS AFTER MOVING THE BED.

# C.KING/E.KING ASSEMBLY INSTRUCTIONS

## APPENDIX A:ADJUSTABLE MATTRESS BASE ASSEMBLY SUPPLEMENT

AN ADJUSTABLE MATTRESS BASE IS A FREESTANDING MATTRESS SUPPORT THAT SITS WITHIN THE PERIMETER OF THE BED FRAME.

IF USING THIS BED FRAME WITH A STANDARD BOX SPRING OR FOUNDATION THESE INSTRUCTIONS DO NOT APPLY.

PRE-ASSEMBLED SIDE RAIL CLEATS OBSTRUCT ADJUSTABLE BASE INSTALLATION AND OPERATION. FOLLOW THESE INSTRUCTIONS TO REMOVE THEM.

### **WARNING!**

SIDE RAIL CLEATS ARE HELD IN PLACE USING PHILLIPS HEAD SCREWS. ONCE THEY ARE REMOVED THE USER WILL NOT BE ABLE TO SAFELY RE-INSTALL THE SIDE RAIL CLEATS FOR FUTURE USE WITH A STANDARD BOX SPRING OR FOUNDATION.

**THE FOLLOWING PARTS ARE NOT REQUIRED FOR ADJUSTABLE MATTRESS BASE INSTALLATION:**

D. SLAT	39 PCS
E. CENTER SLAT SUPPORT	2 PCS
F. SIDE RAIL SLAT CLIP	26 PCS
G. CENTER SUPPORT SLAT CLIP	26 PCS
H. SLAT SUPPORT LEG	4 PCS

### **STEP 1 :**

USE A PHILLIPS HEAD SCREWDRIVER (NOT PROVIDED) TO UNSCREW THE PHILLIPS SCREWS AND REMOVE THE PRE-ASSEMBLED SIDE RAIL CLEATS.

