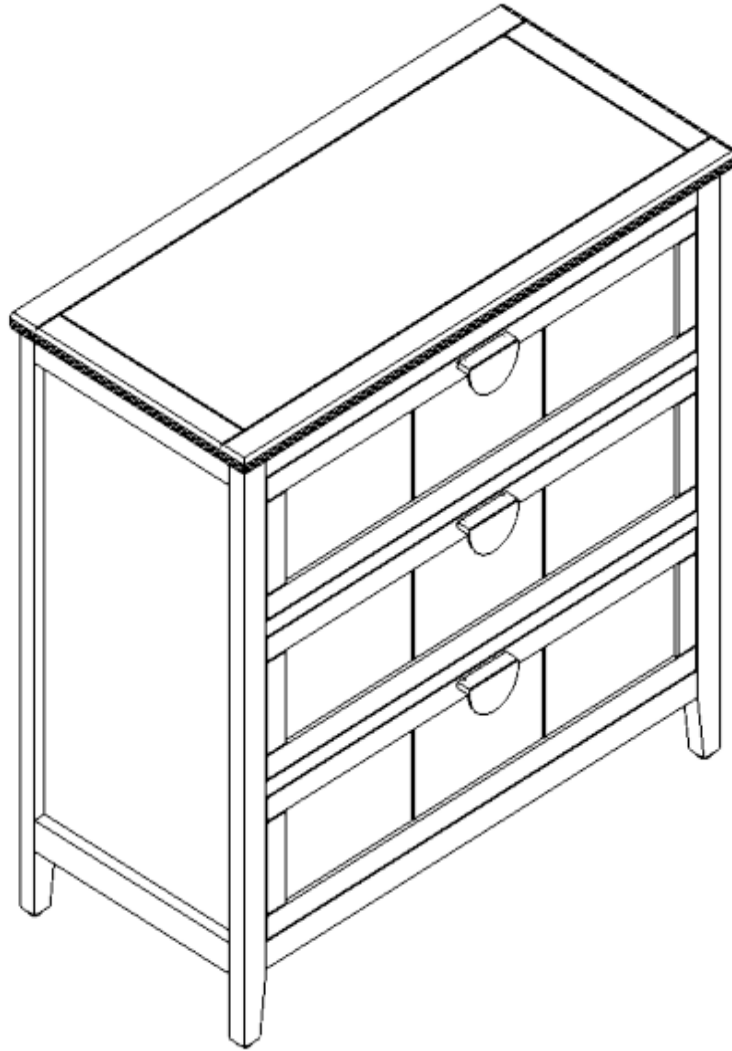


Installation Instruction



Product Name

3 Drawer Cabinet

Ver.1.0 20230216

Assembling

Estimated time for assembly

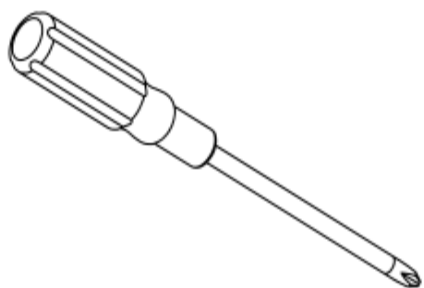


25 : 00

What you need

.Use the packaging carton as a working surface to prevent product damage during assembly

.Phillips head screwdriver



Weight Limitation



55

lbs table top

5

lbs per shelf



2 PERSONS

What's included

Code	Description	Qty
A	Cam Bolt M5*27mm	15
B	Cam Lock 15*10mm	15
C	Screw Φ 4x25mm	15
D	Handle	3
E	Bolt M4*18mm	6
F	Bolt M6x35mm	8
G	Metal Washer	8
H	Allen Key	1
I	Screw Φ 4x20mm	4
J	Screw Φ 4x16mm	4
K	Plastic corner support	8
L	Screw Φ 2.5x16mm	8
M	Nylon strap	2
N	Anchor Φ 6x30mm	2
O	Screw Φ 4x35mm	2

The Hardwares

A



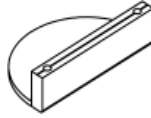
B



C



D



E



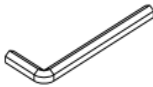
F



G



H



I



J



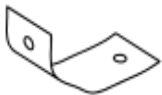
K



L



M



N



O



IMPORTANT:

1. Do not tighten bolts / screws completely until all bolts / screws are lined up and inserted into holes.
2. Do not over tighten screws and bolts to avoid stripping.
3. Please use hand tools to assemble this product. Do not use power tools.
4. Must need 2 people to assemble this product.

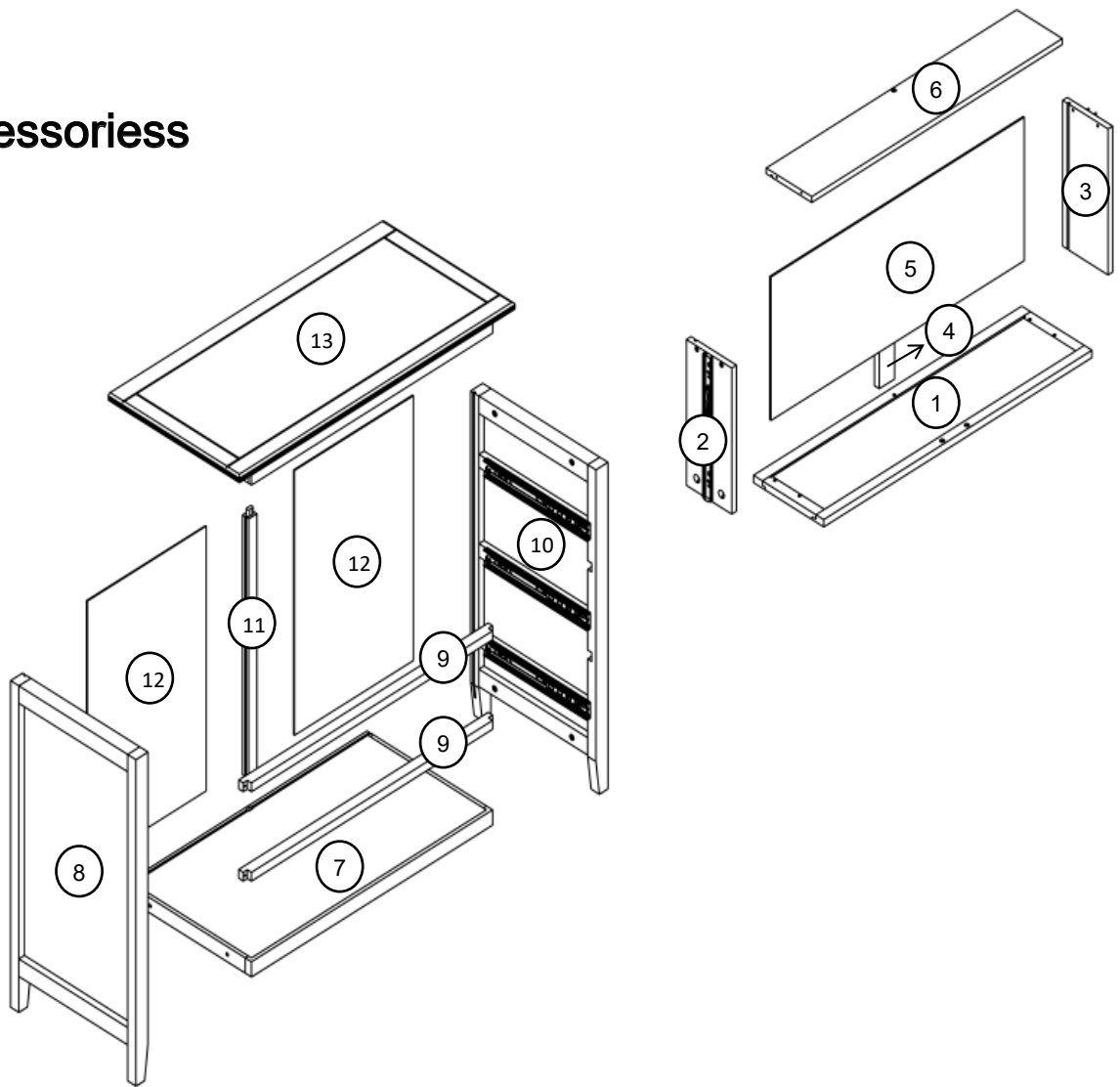


2 PERSONS

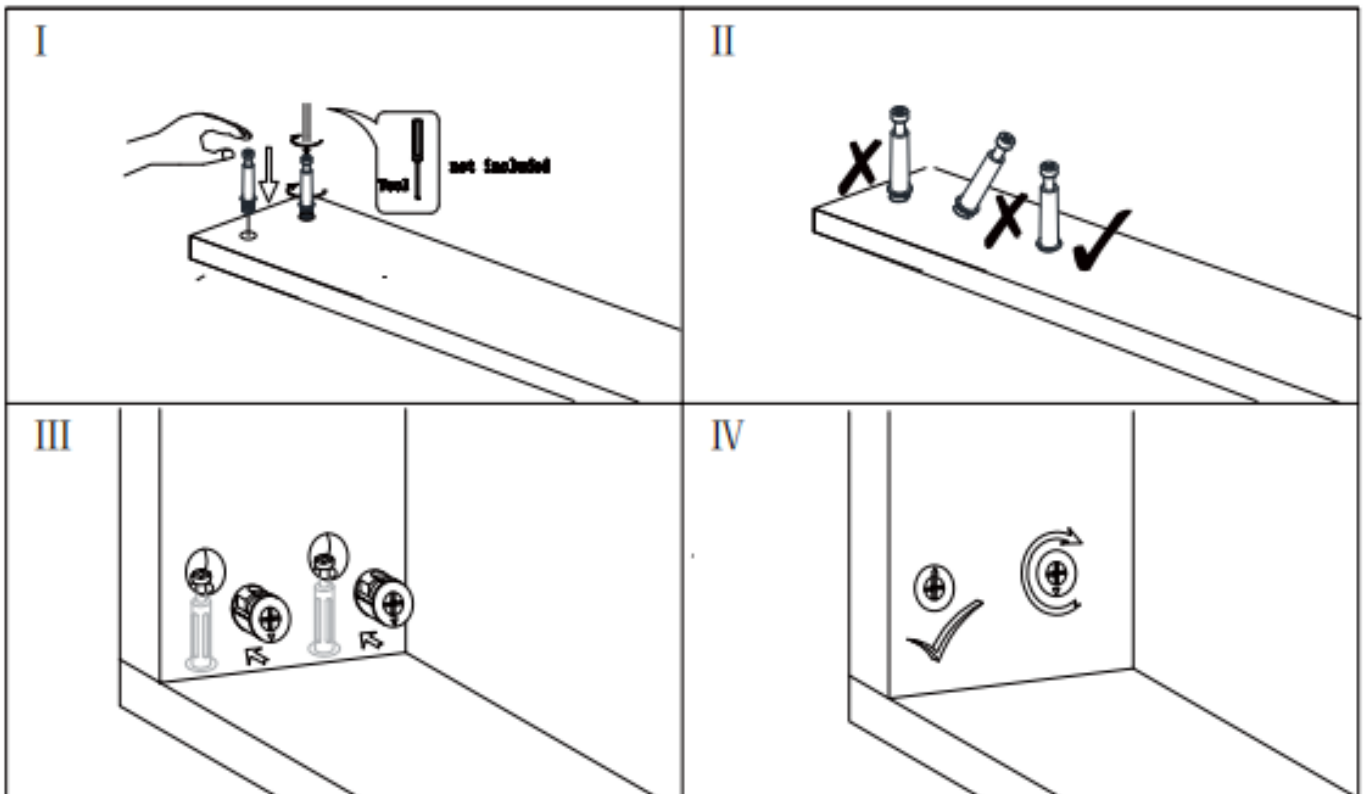
Included Accessories

Code	Description	Qty
1	Drawer Front Panel	3
2	Drawer Left Side Panel	3
3	Drawer Right Side Panel	3
4	Drawer Vertical Stretcher	3
5	Drawer Bottom Panel	3
6	Drawer Back Panel	3
7	Bottom Panel	1
8	Left Side Panel	1
9	Drawer Bottom Support Panel	2
10	Right Side Panel	1
11	Back support Panel	1
12	Back Panel	2
13	Cabinet Top	1

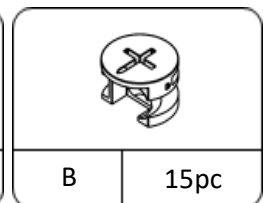
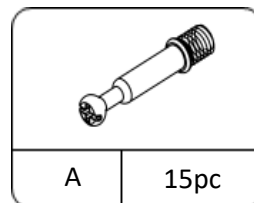
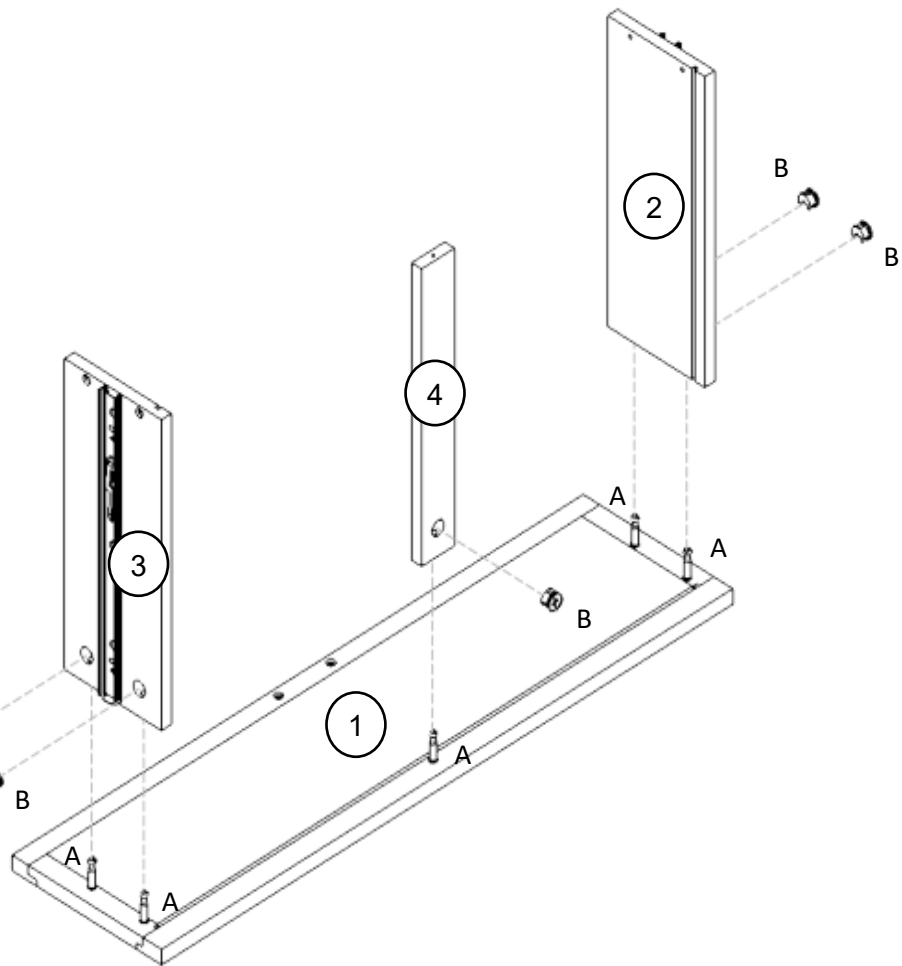
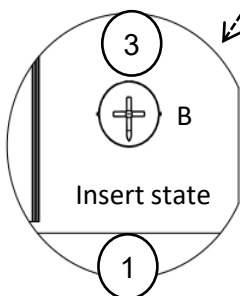
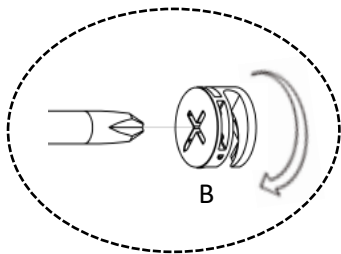
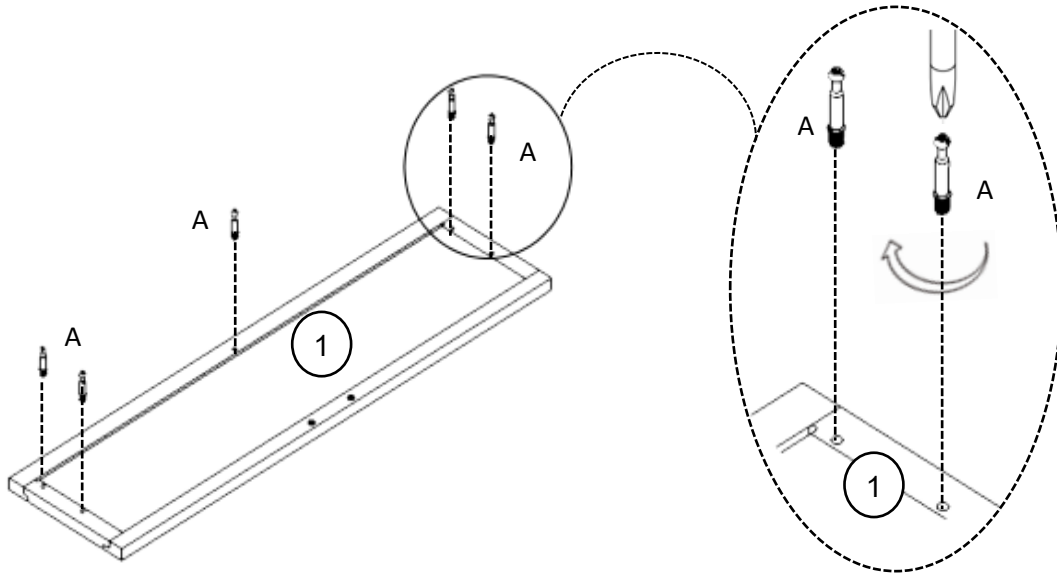
The Accessoriess



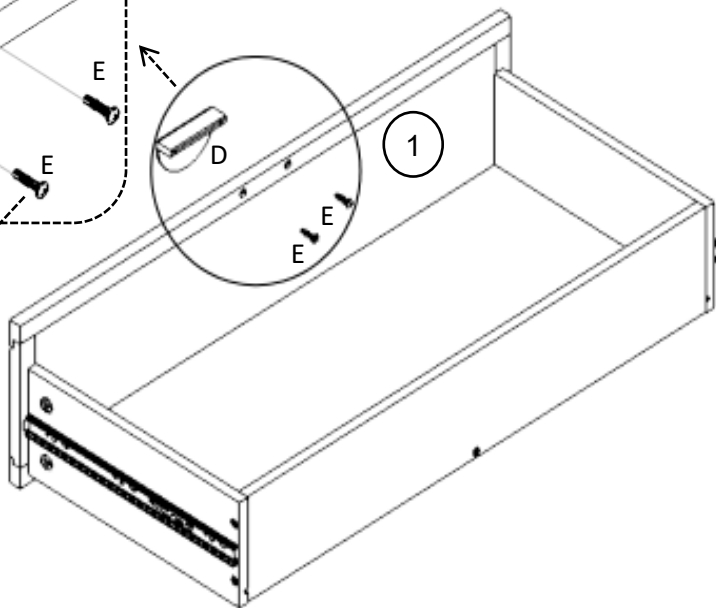
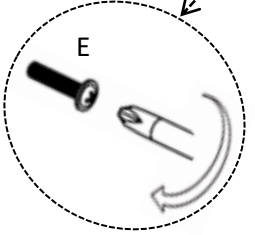
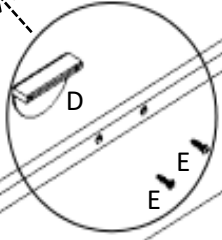
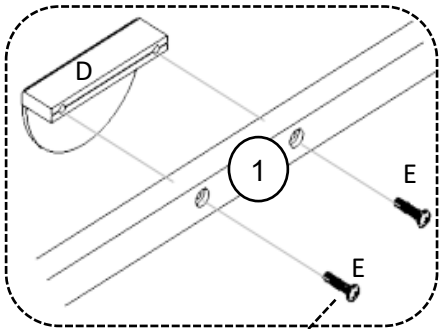
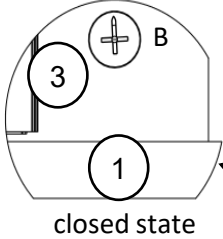
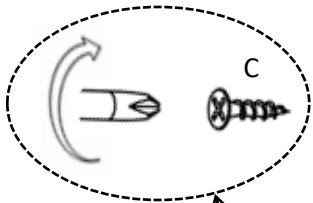
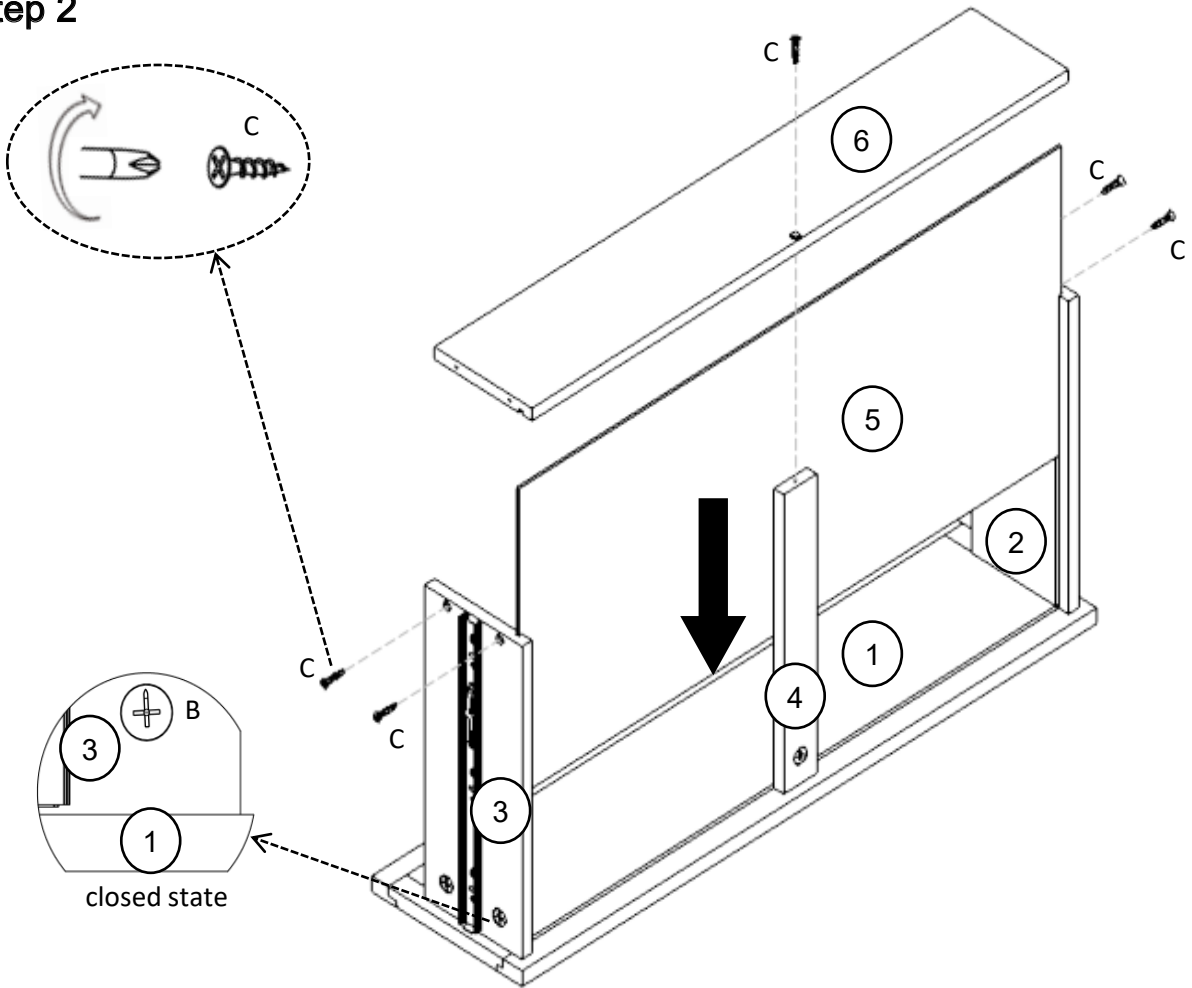
Noted :




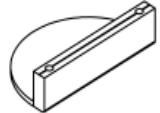
Step 1




Step 2

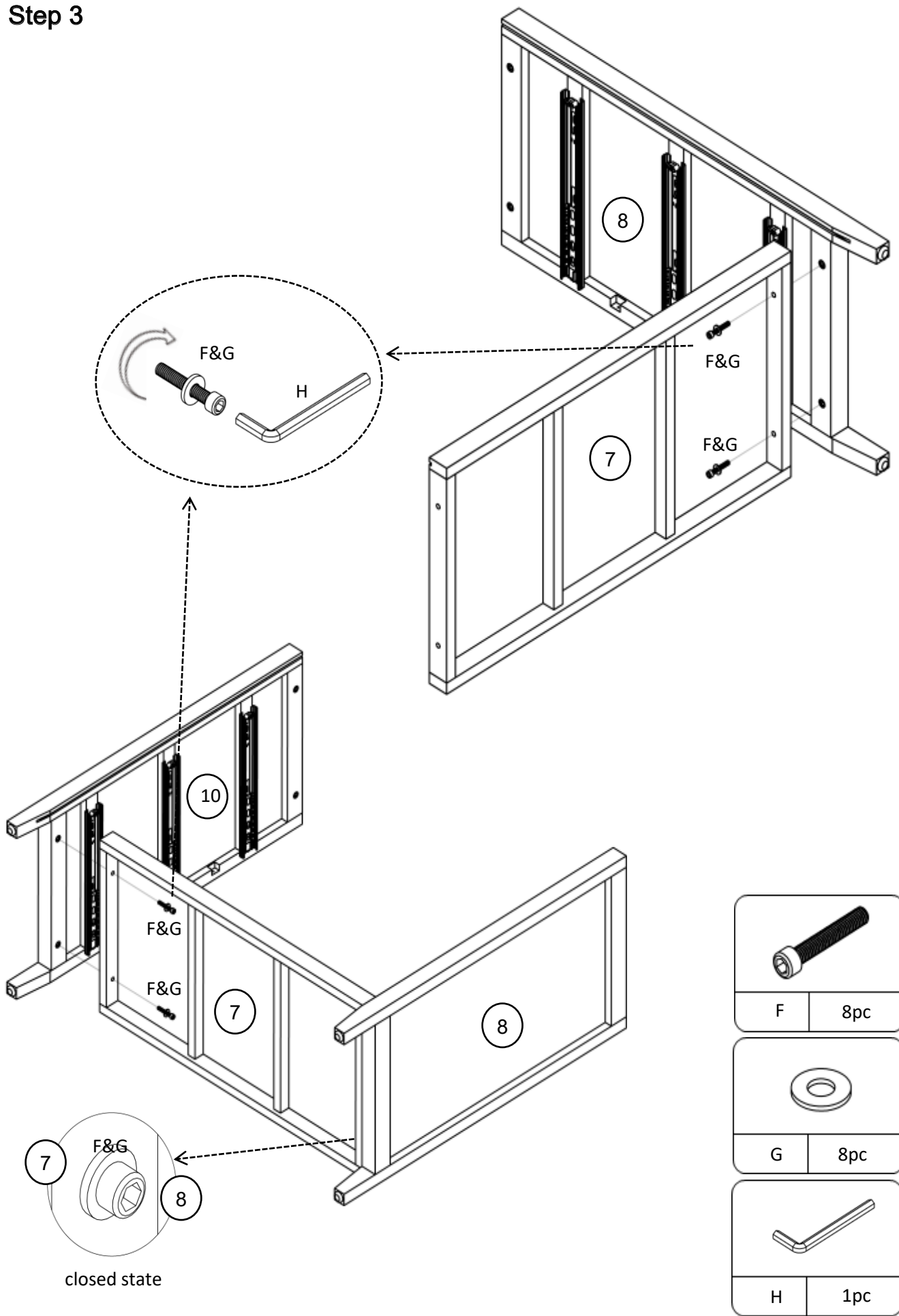


	C	15pc
---	---	------

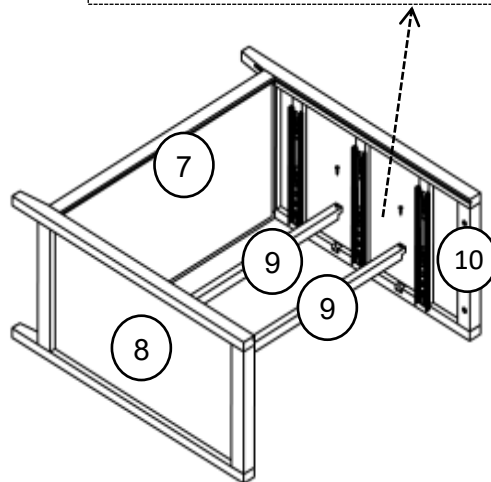
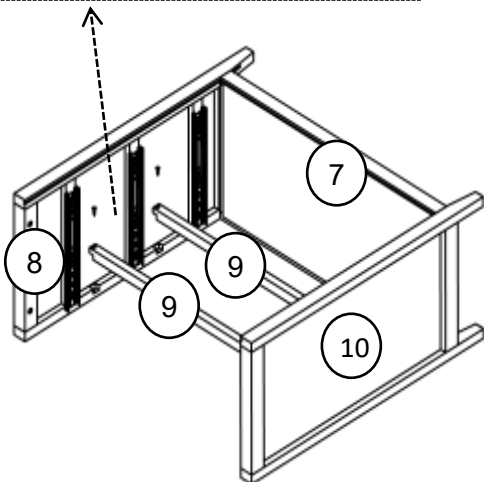
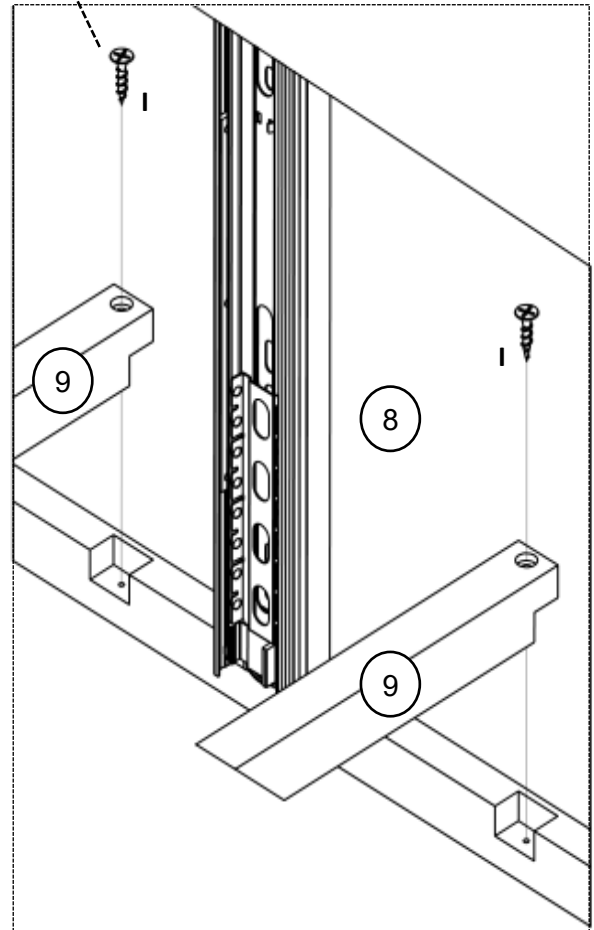
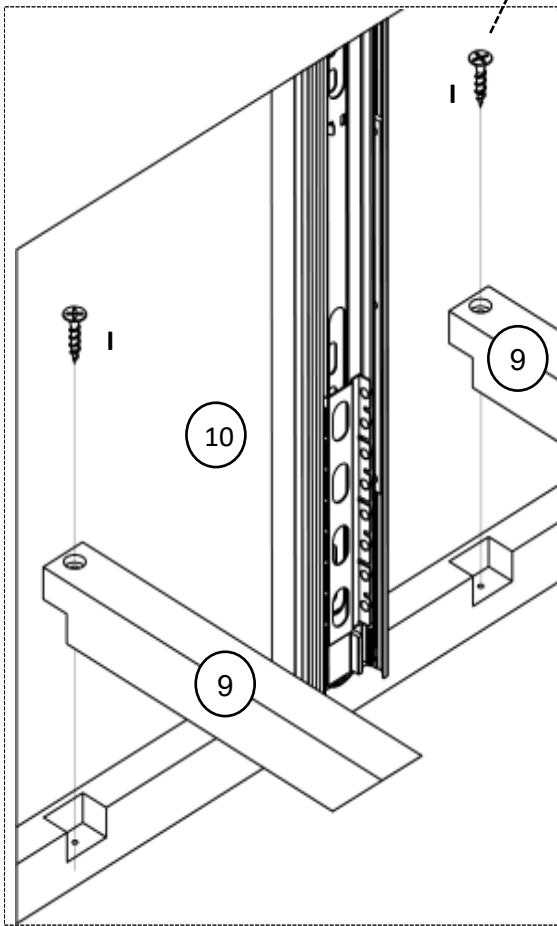
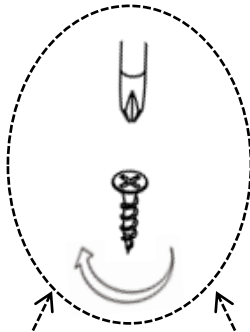
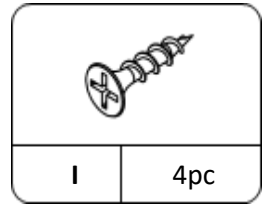
	D	3pc
--	---	-----

	E	6pc
---	---	-----

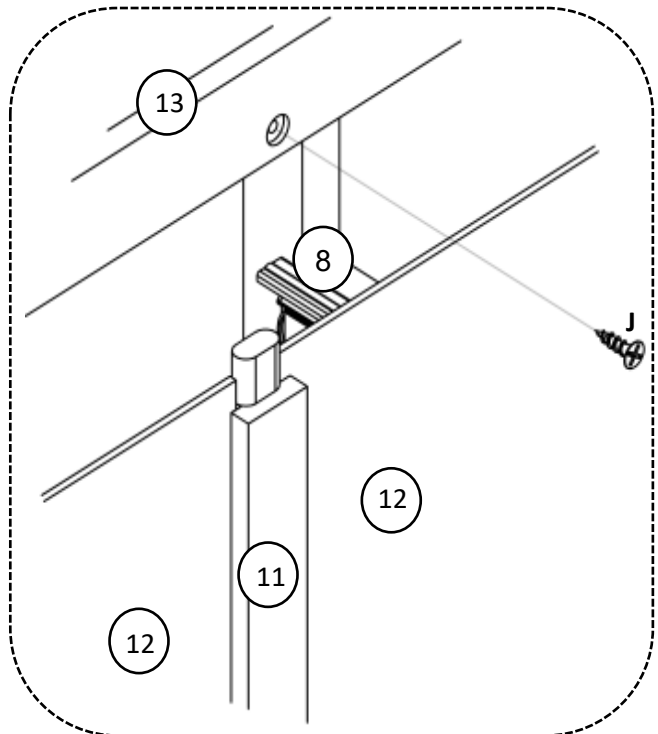
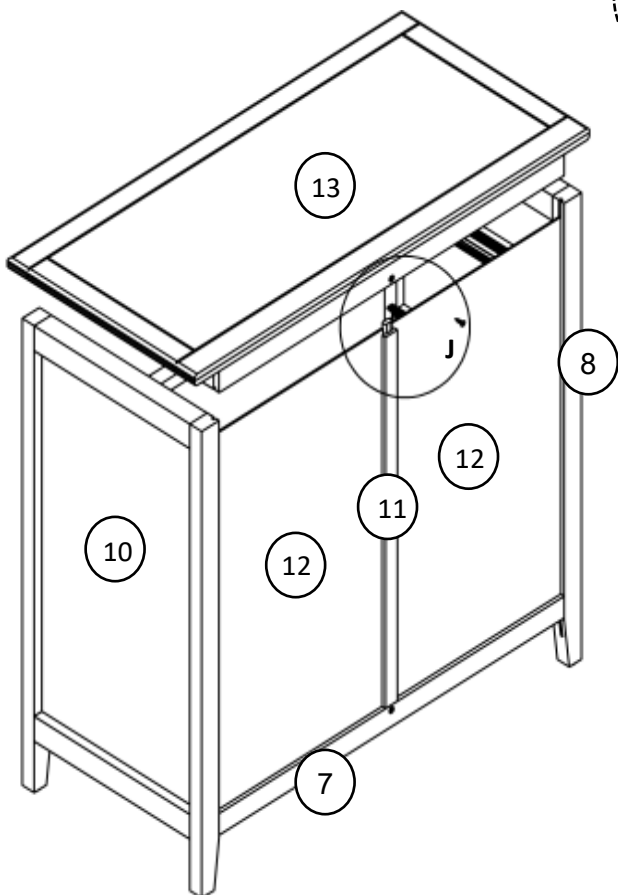
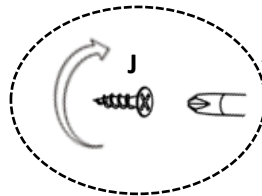
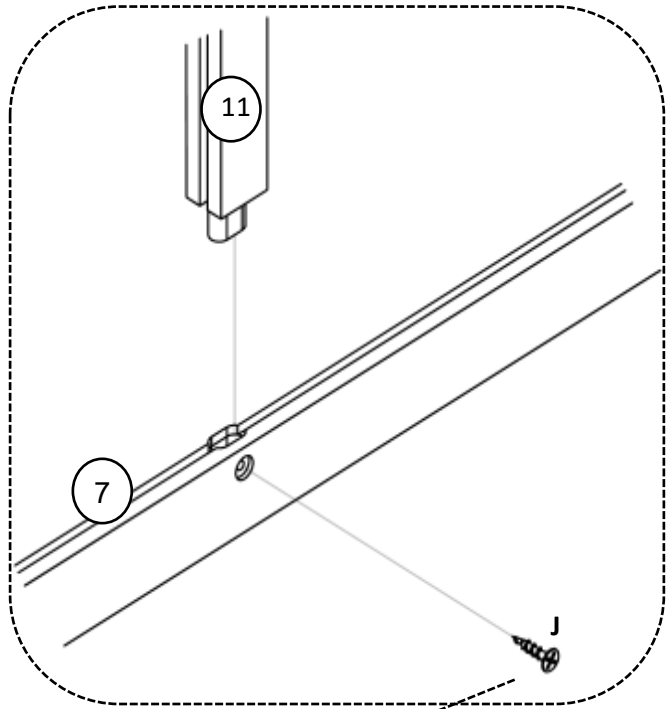
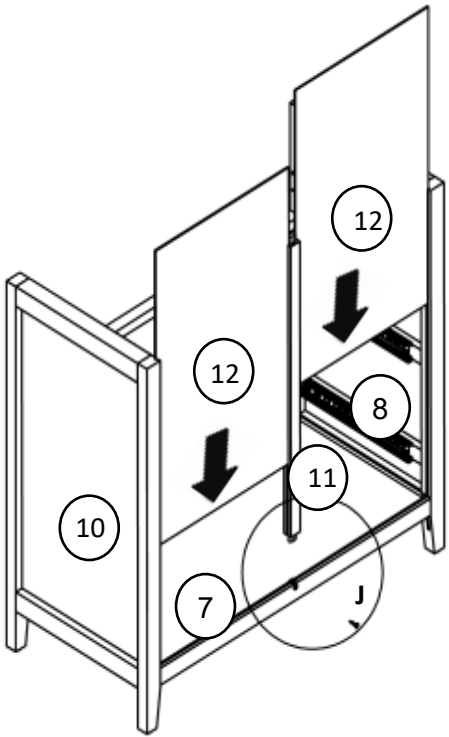
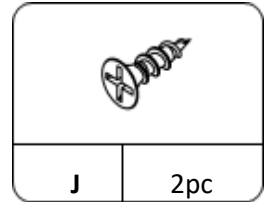
Step 3



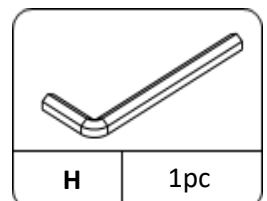
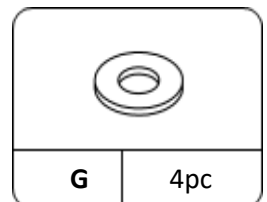
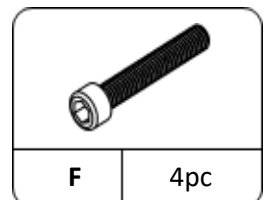
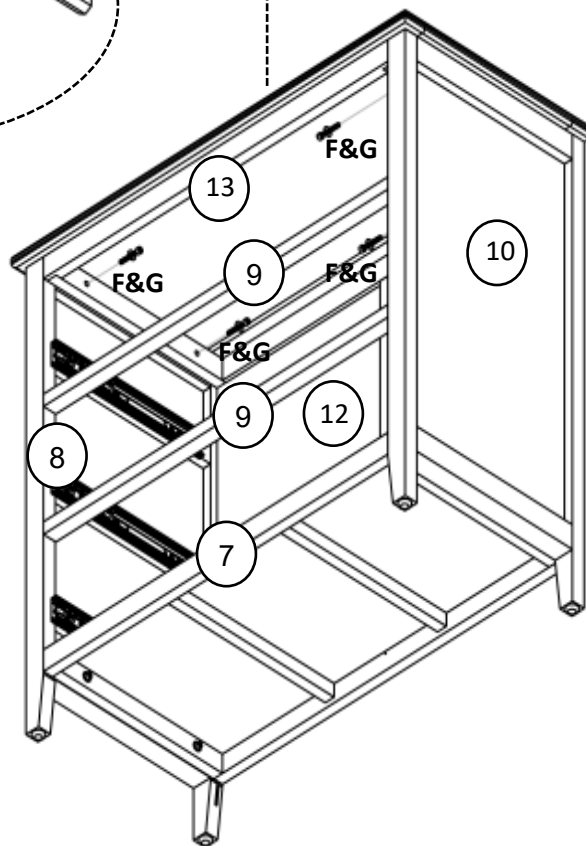
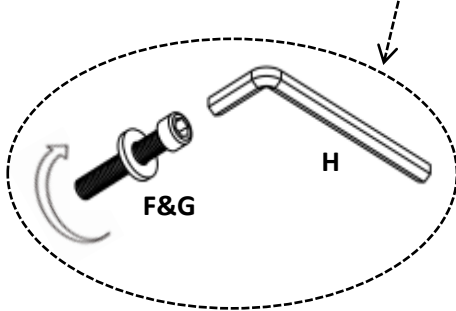
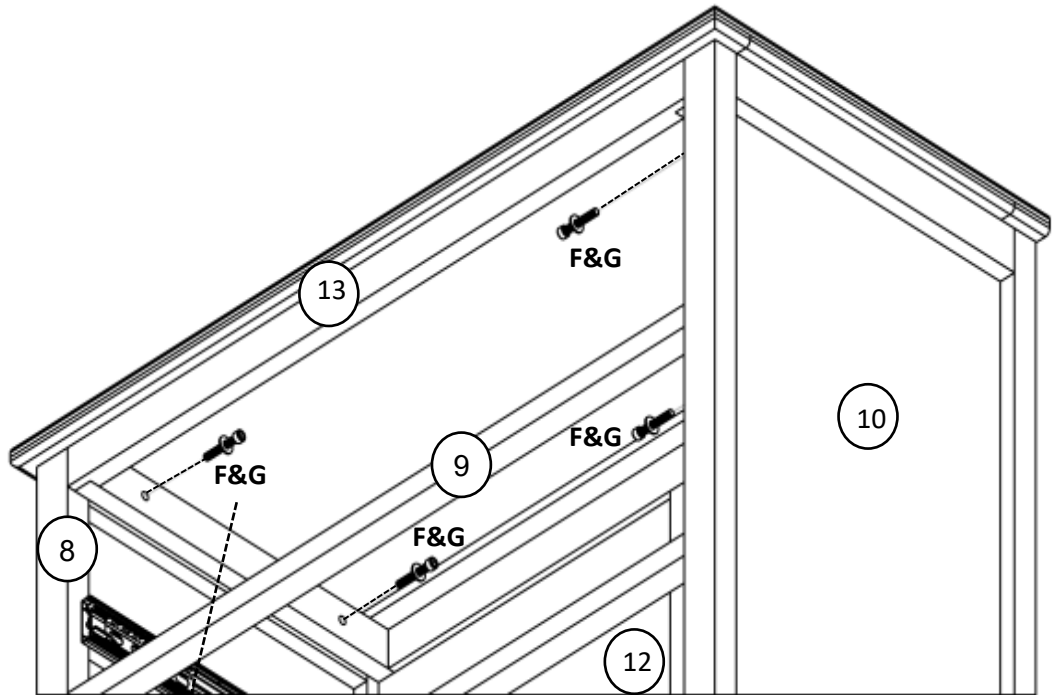
Step 4



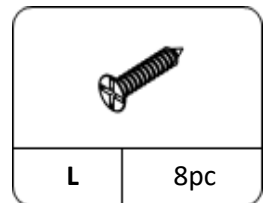
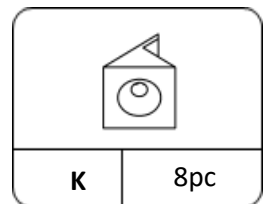
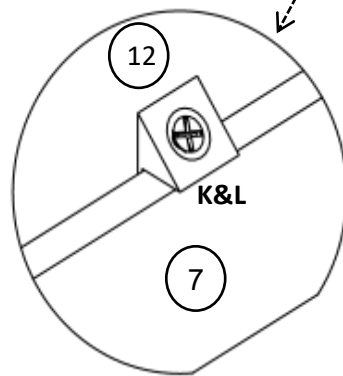
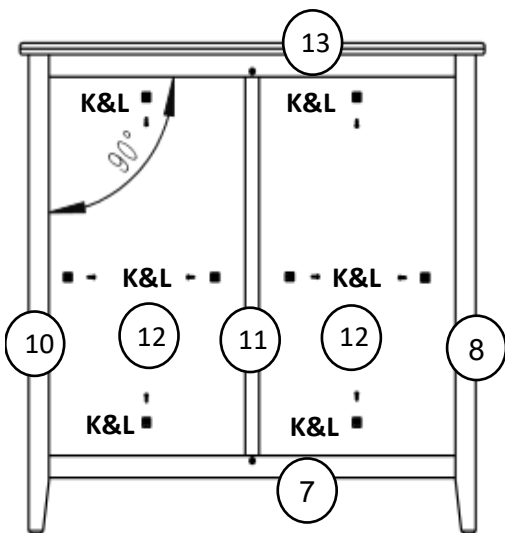
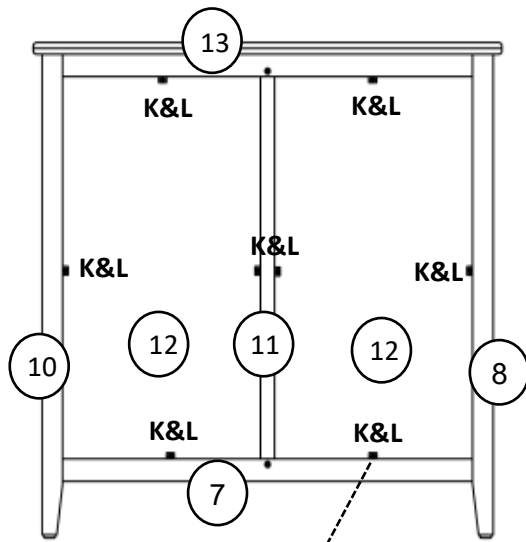
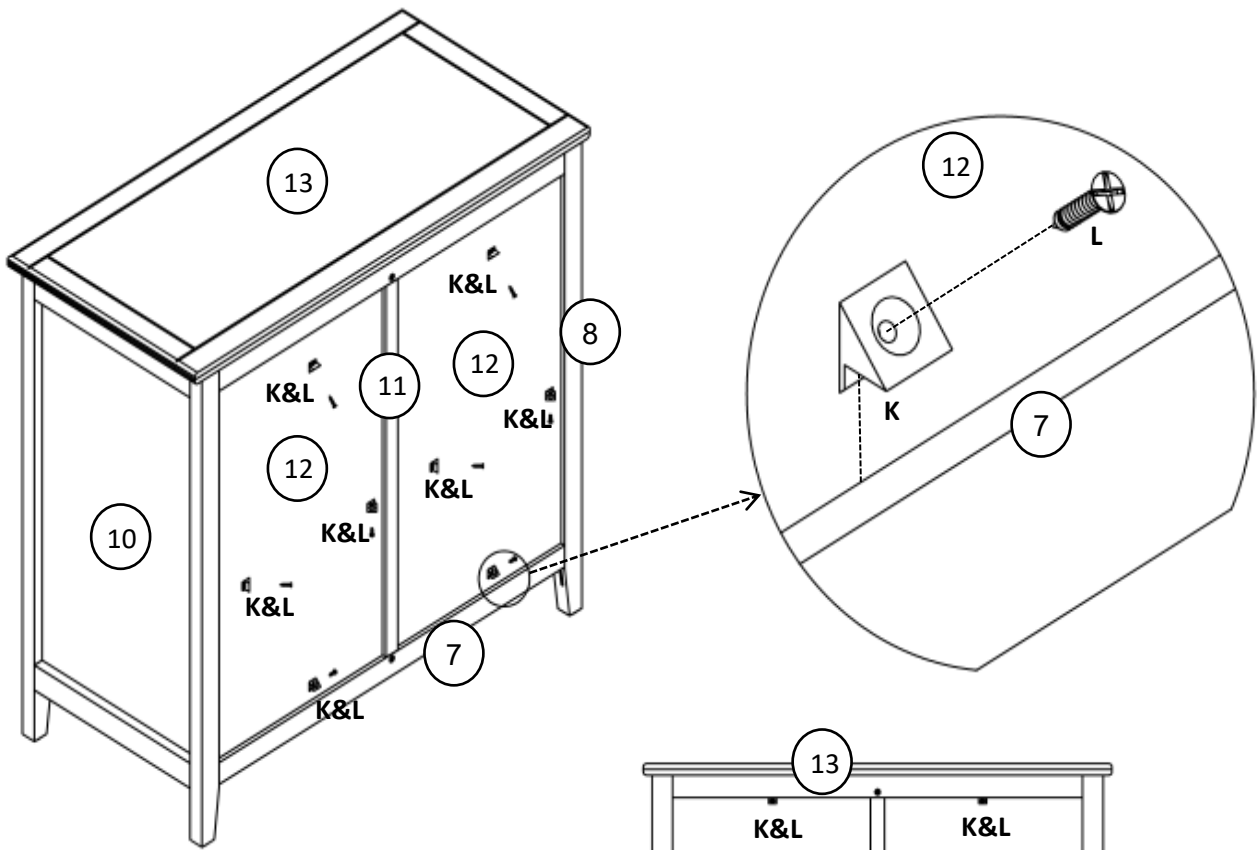
Step 5



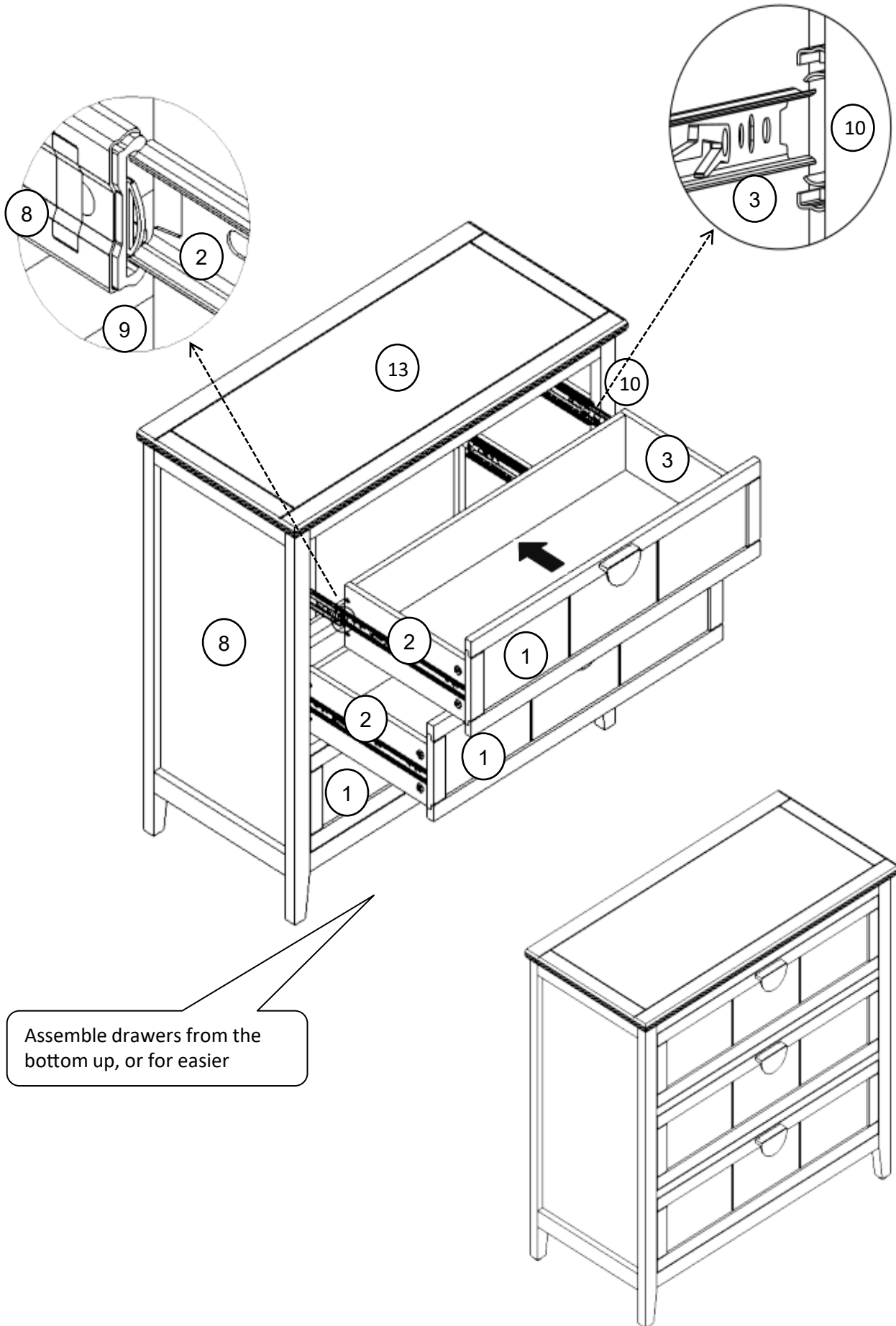
Step 6



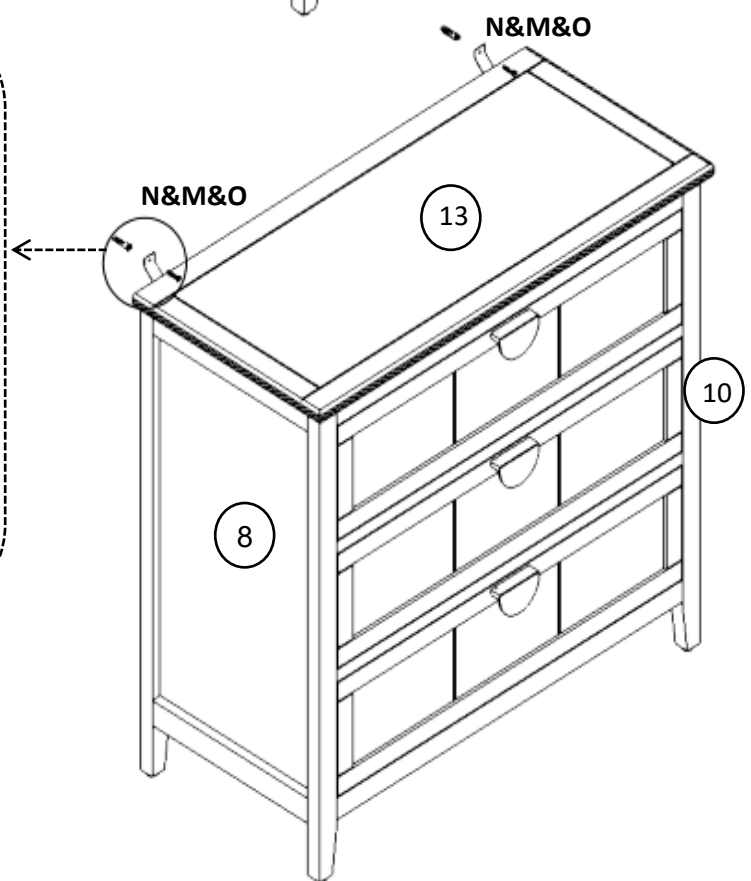
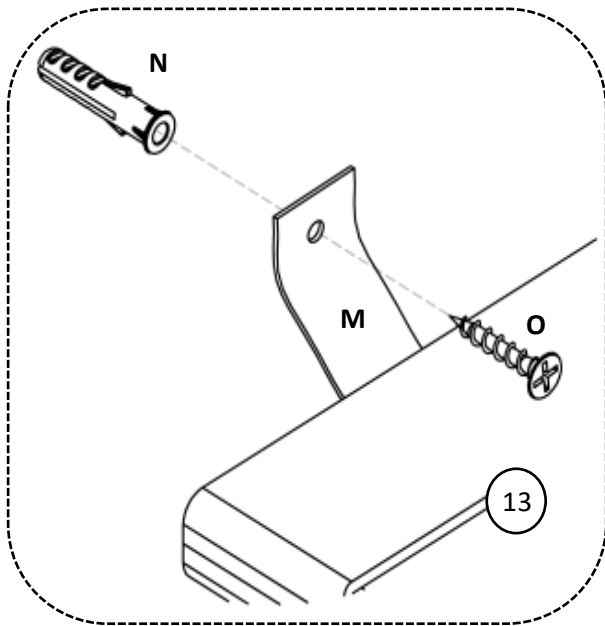
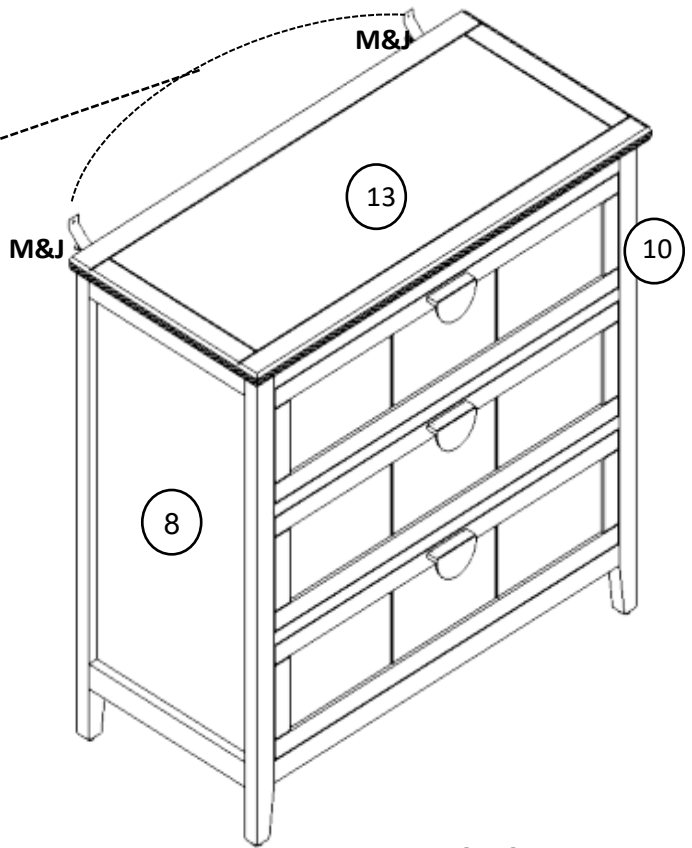
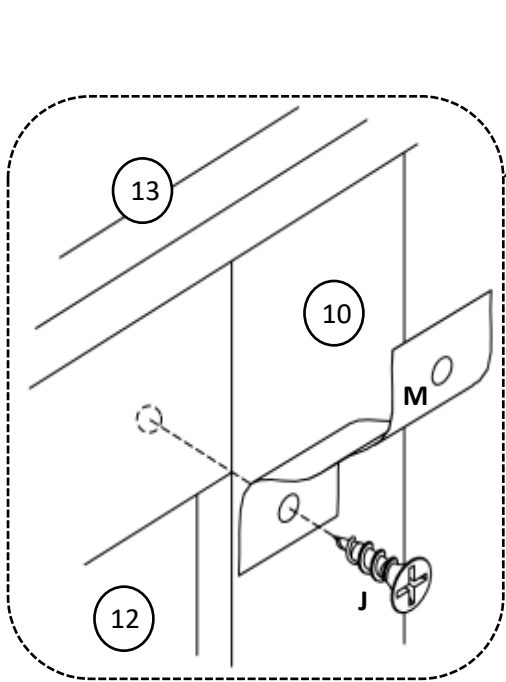
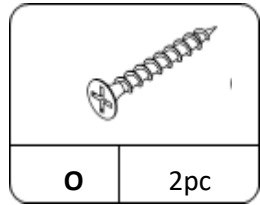
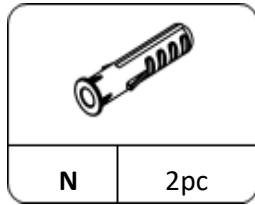
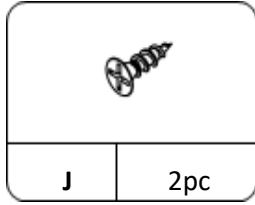
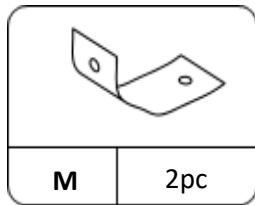
Step 7



Step 8



Step 9



Proper Use

- DO NOT** use for commercial purposes
- DO NOT** use as a step stool or stand on table
- DO NOT** put hot serving liquid directly on the table top
- DO NOT** leave spilled liquid on the table top
- DO NOT** use table if damaged
- DO NOT** exceed weight limit
- DO NOT** make temporary repairs
- DO NOT** use outdoor

Dear Customer:

Thank you for purchasing our product, we wish you satisfy our service, if you have any further questions or any quality issues, please show the belows number and don't hesitate to contact our Customer Service People :

W688202308