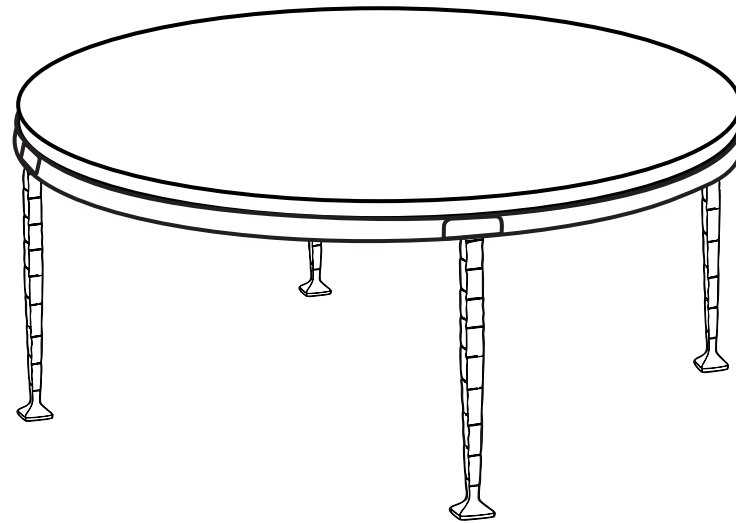


KARMELNA CAST GLASS ROUND COFFE TABLE

DESIGN # SFV7924A

Assembly Instructions



Need help?

Feel free to contact us via email or call
if you have any specific questions!

contact us:

cs@safavieh.com

866-422-9070

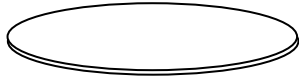
SAFAVIEH
C O U T U R E

**Thanks for bringing
Safavieh Couture into
your home**

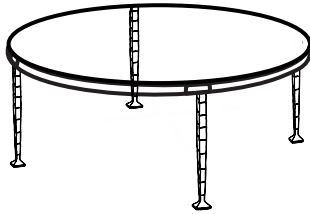
Every thing we make is incredibly simple to set up, including your new Coffee Table. You won't need any addition tools.

Parts List

A x 1
Glass Top

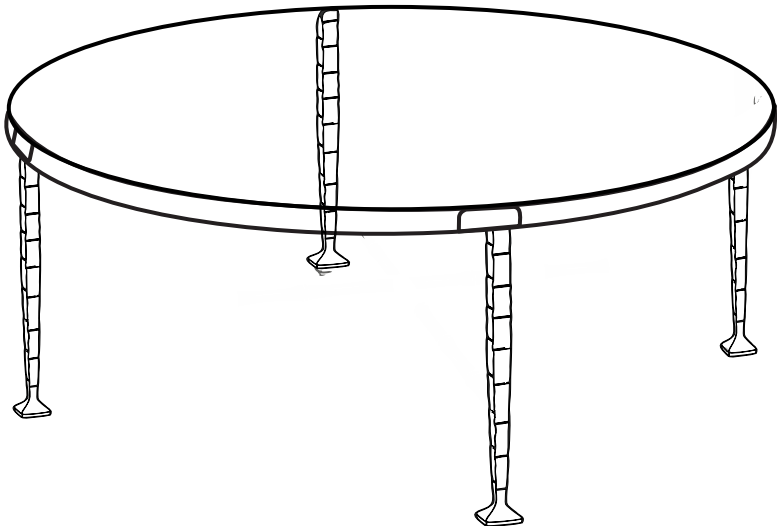


B x 1
Metal Base



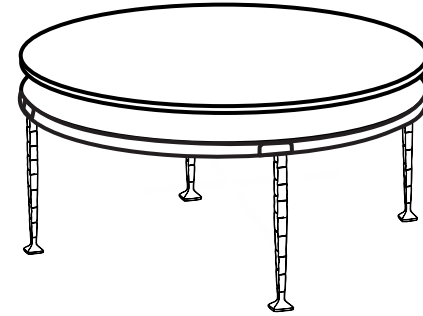
1

Place the Metal Base (B) upright on a clean & soft surface.



2

Place the Glass Top (A) on the Metal Base (B).



3

Place the table in the place where you will use it. We'd love to see it – just tag us (we're @ safavieh) and use the hashtag #safavieh on instagram!

@safavieh

