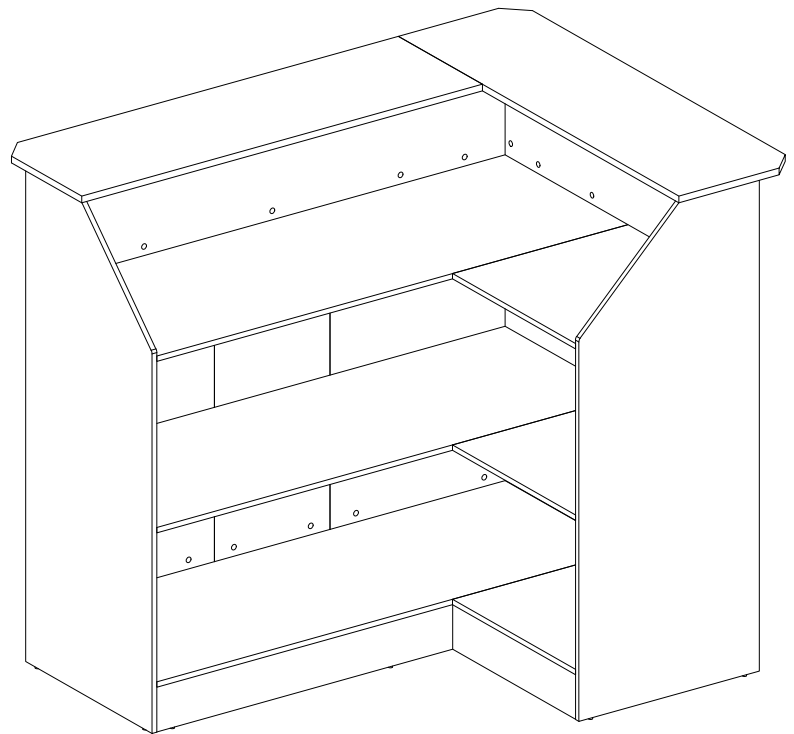
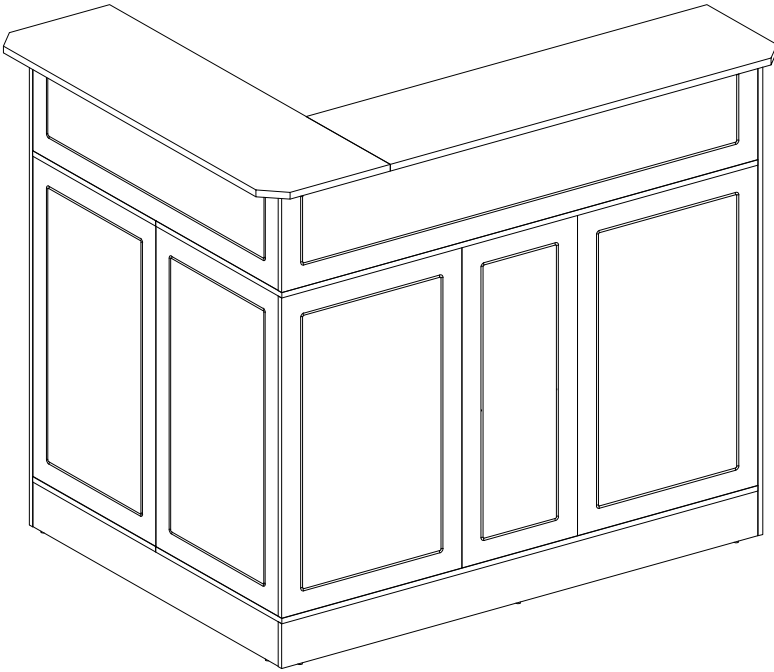


# Assembly Instructions



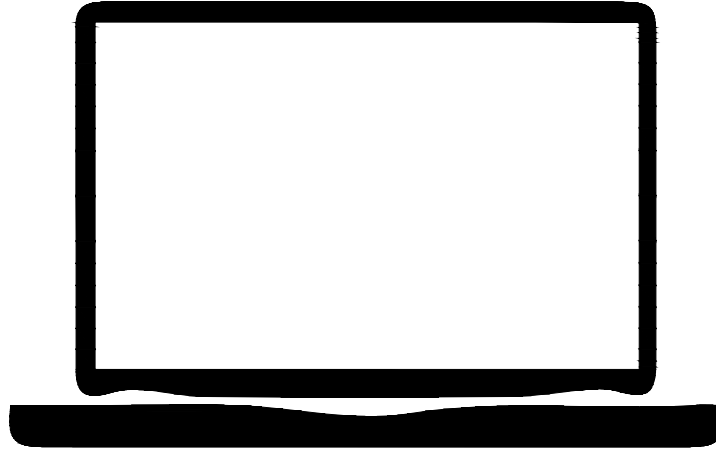
---

Home Bar Unit

---

# Contact Us

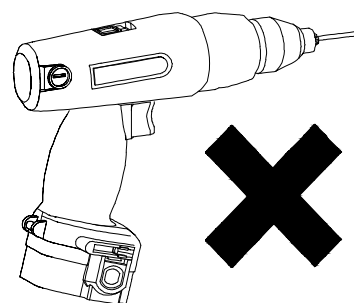
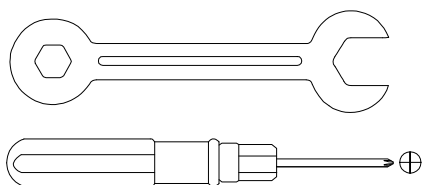
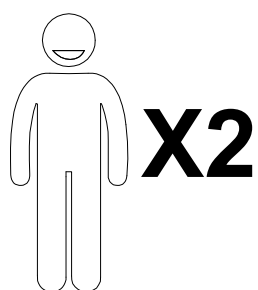
## We're here to help you.



Your satisfaction is our top priority. If you encounter any issues with this product, such as missing or damaged parts, we're here to help. Please retain the original packaging and take photos of the packaging and the product, then contact us as soon as possible.

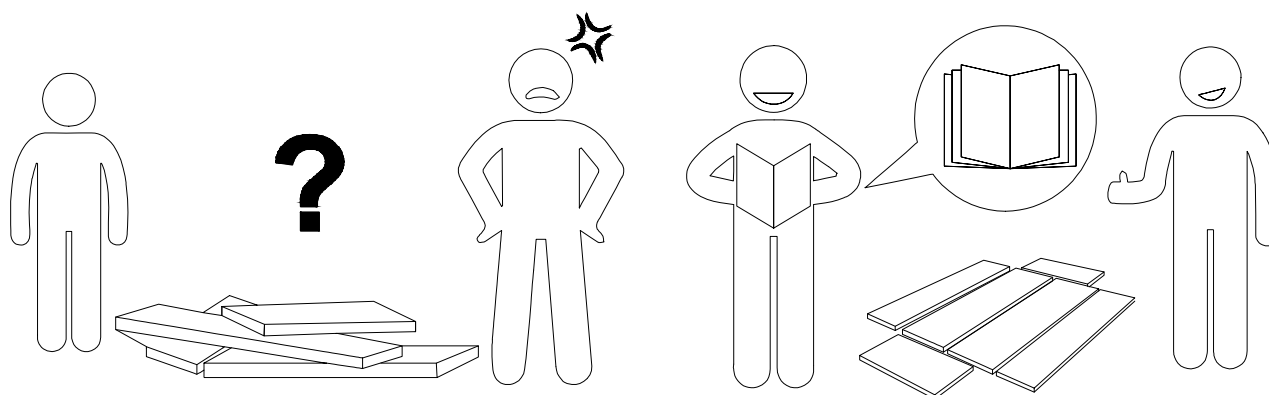
### Warm Tips

1. Carefully read these instructions and keep them for future reference.
2. Check the parts list and confirm everything's there before starting assembly.
3. When assembling, put all parts on a soft, smooth surface like a carpet to avoid scratches.
4. Don't fully tighten screws until all parts are confirmed in place to avoid misalignment.



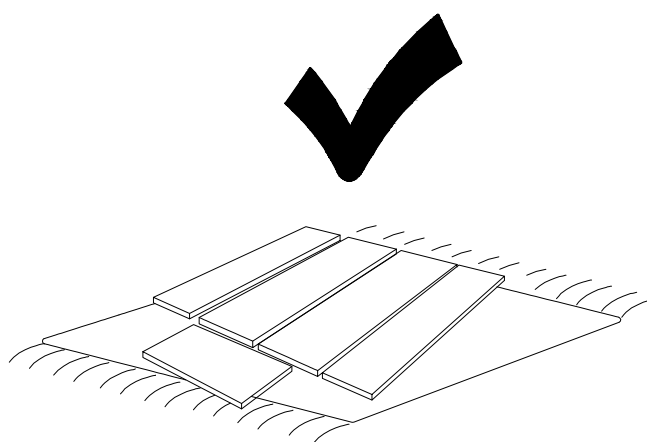
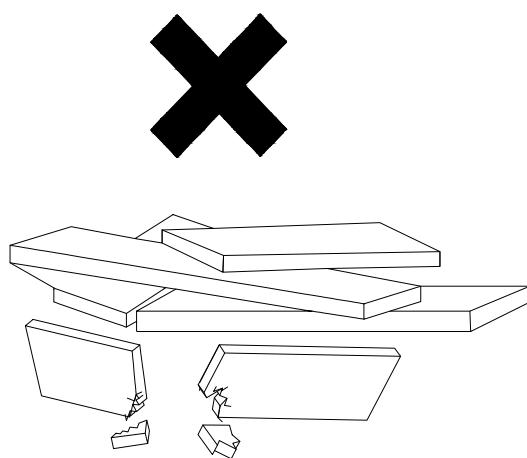
We recommend using hand tools for assembly.

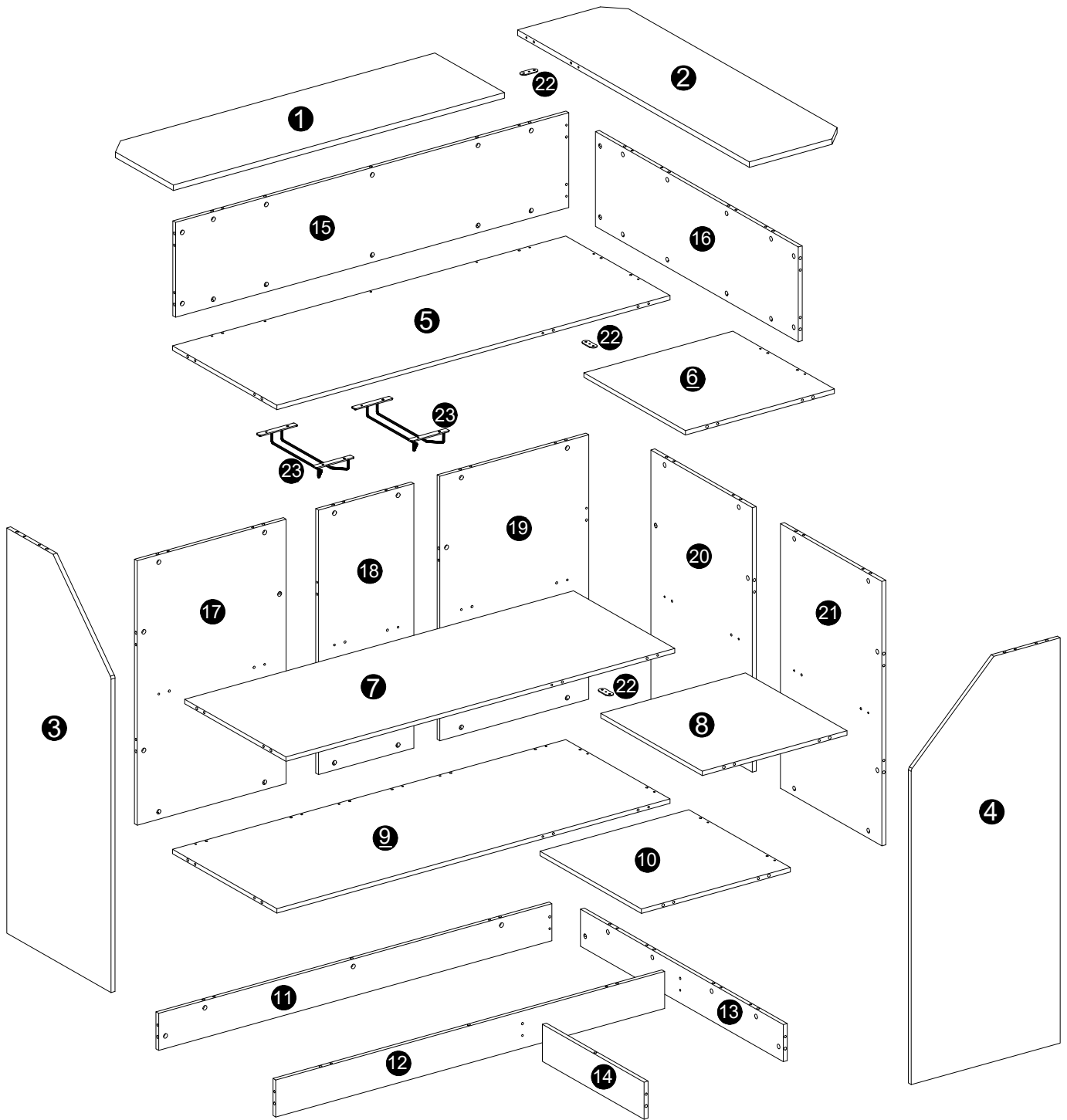
If an electric screwdriver is used, reduce power and torque to avoid damage to the product.



## AVOID SCRATCHES

In order to avoid scratching, this furniture should be assembled on a soft surface, such as a rug.

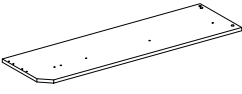
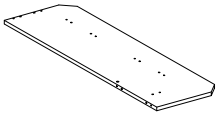
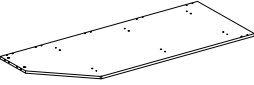
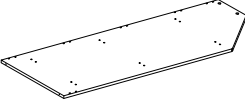
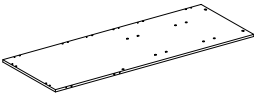
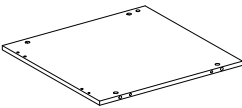
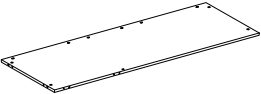
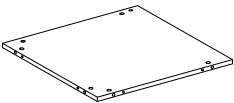
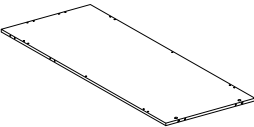
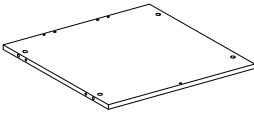
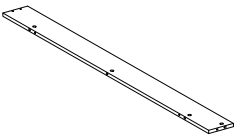
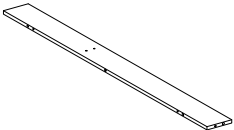
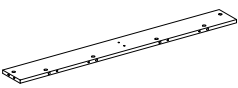
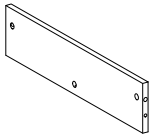
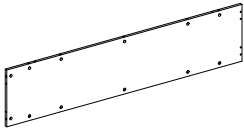
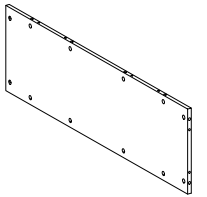
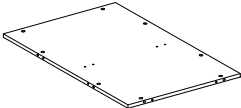
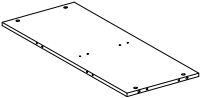
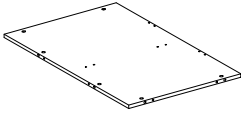
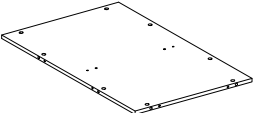
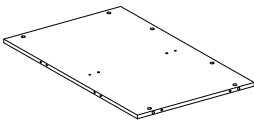

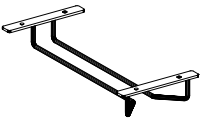




**⚠ Caution**

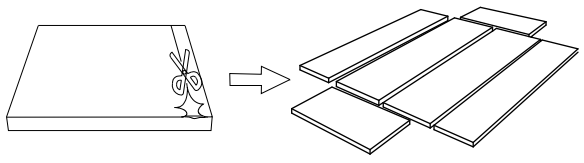
Make sure all parts are included. Most board parts are labeled or stamped on the raw edge. Contact us for a free replacement if you encounter any damaged or missing parts.

# Parts List

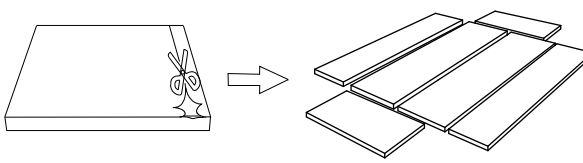
<p><b>1</b></p>  <p>1 pc</p>	<p><b>2</b></p>  <p>1 pc</p>	<p><b>3</b></p>  <p>1 pc</p>	<p><b>4</b></p>  <p>1 pc</p>	<p><b>5</b></p>  <p>1 pc</p>
<p><b>6</b></p>  <p>1 pc</p>	<p><b>7</b></p>  <p>1 pc</p>	<p><b>8</b></p>  <p>1 pc</p>	<p><b>9</b></p>  <p>1 pc</p>	<p><b>10</b></p>  <p>1 pc</p>
<p><b>11</b></p>  <p>1 pc</p>	<p><b>12</b></p>  <p>1 pc</p>	<p><b>13</b></p>  <p>1 pc</p>	<p><b>14</b></p>  <p>1 pc</p>	<p><b>15</b></p>  <p>1 pc</p>
<p><b>16</b></p>  <p>1 pc</p>	<p><b>17</b></p>  <p>1 pc</p>	<p><b>18</b></p>  <p>1 pc</p>	<p><b>19</b></p>  <p>1 pc</p>	<p><b>20</b></p>  <p>1 pc</p>
<p><b>21</b></p>  <p>1 pc</p>	<p><b>22</b></p>  <p>3 pcs</p>	<p><b>23</b></p>  <p>2 pcs</p>		

**Before installation, please check if you have received the A and B, packages, and check if the parts are complete.**

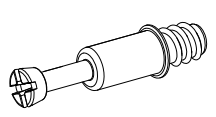
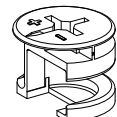
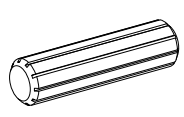


HOGA-YS0348X-A			
<b>1</b>	1pc	<b>9</b>	1pc
<b>2</b>	1pc	<b>11</b>	1pc
<b>3</b>	1pc	<b>12</b>	1pc
<b>4</b>	1pc	<b>13</b>	1pc
<b>5</b>	1pc	<b>15</b>	1pc
<b>7</b>	1pc	<b>16</b>	1pc

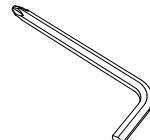
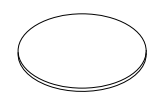
  


HOGA-YS0348X-B			
<b>6</b>	1pc	<b>19</b>	1pc
<b>8</b>	1pc	<b>20</b>	1pc
<b>10</b>	1pc	<b>21</b>	1pc
<b>14</b>	1pc	<b>23</b>	2 pcs
<b>17</b>	1pc		
<b>18</b>	1pc		

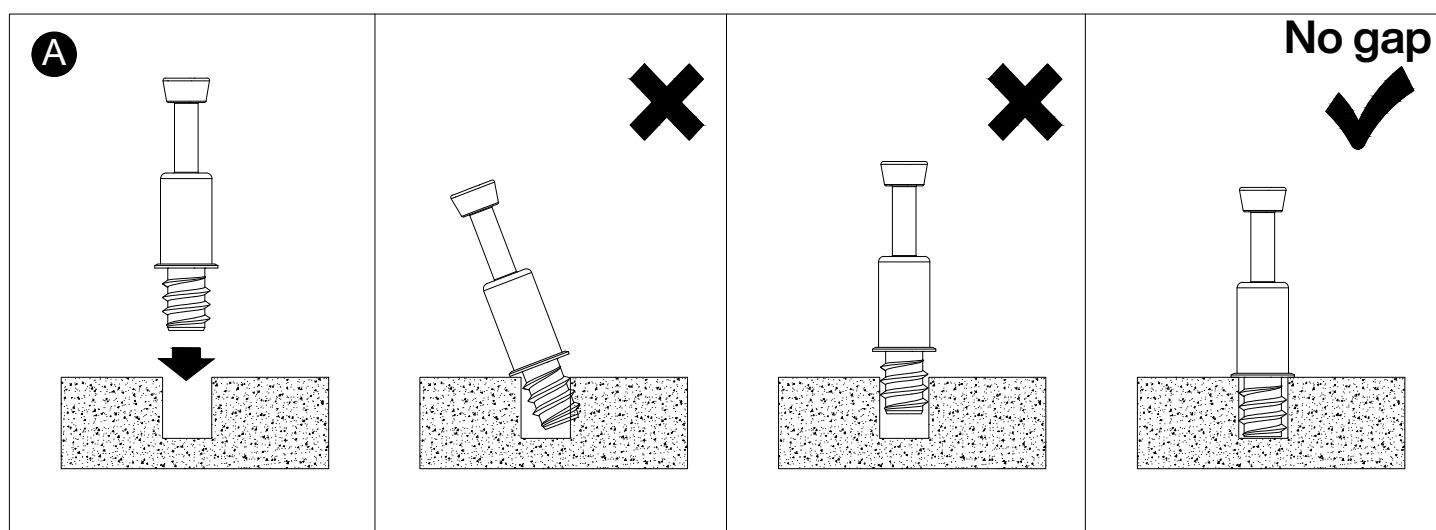
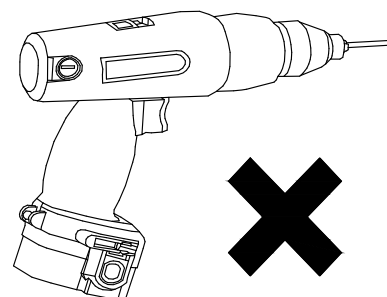
## Hardware List

A	B	C	D	E
				
Ø6x28mm	Ø12x10mm	Ø6x30mm	Ø11x4mm	M6x8mm
109 pcs	109 pcs	100 pcs	13 pcs	15 pcs

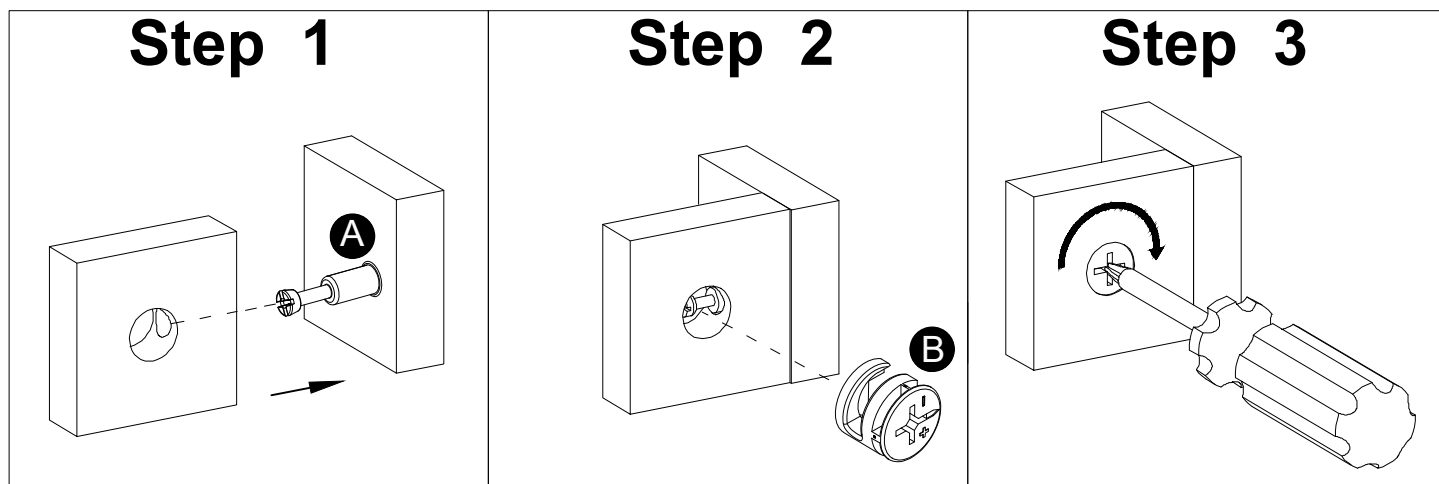
F	G
	
M4	Ø20mm
1 pc	84 pcs

# Installation of Cams and Pins

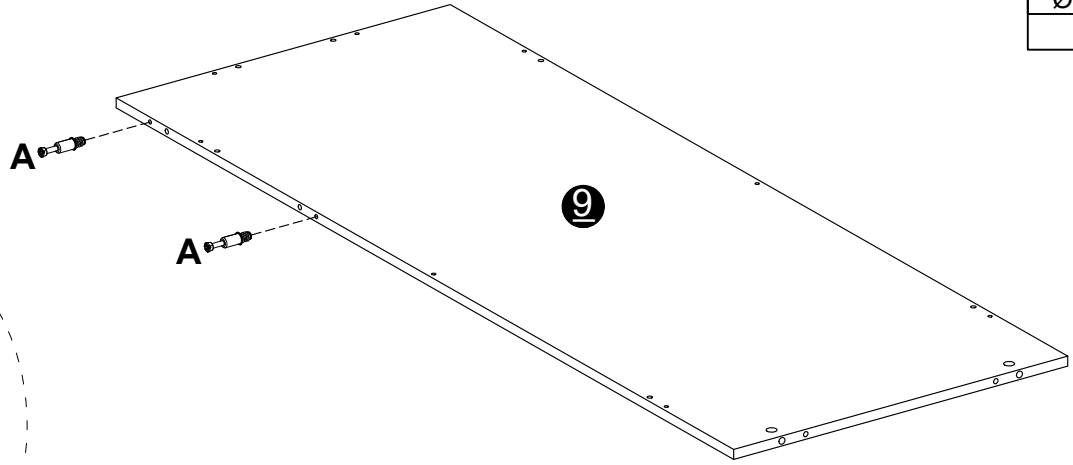
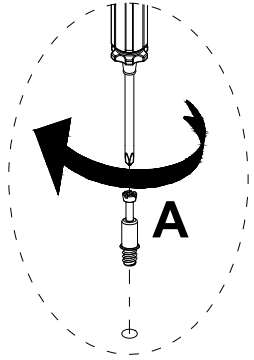
Read each step carefully before starting. Each step of instruction should be performed in the correct order. If these steps are not followed in sequence, assembly difficulties may occur.

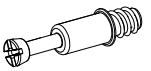


Screw the pin into the hole. Set the cams correctly by aligning the head of the cams with the lock pins. Lock the cam by turning the cam head with a screwdriver until it is tightened. Please do not use an electric screwdriver to assemble the unit.

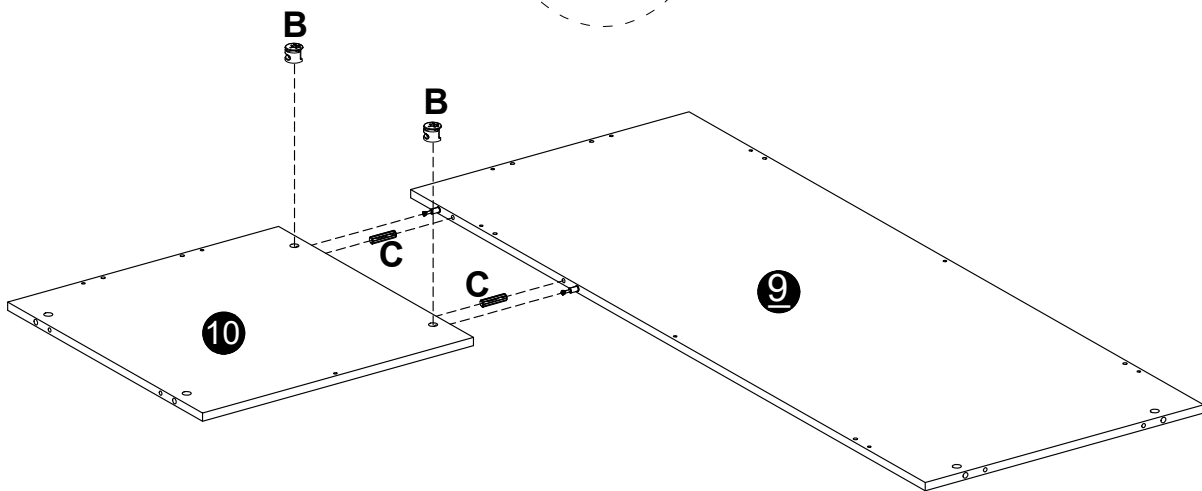
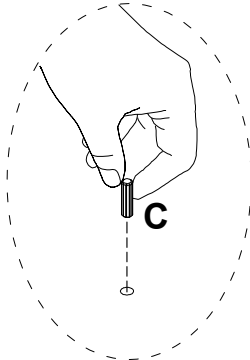




1

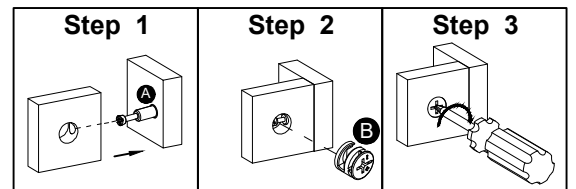


A

Ø6x28mm
2 pcs

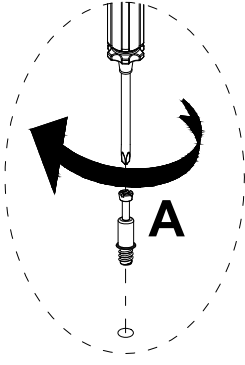
2

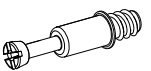


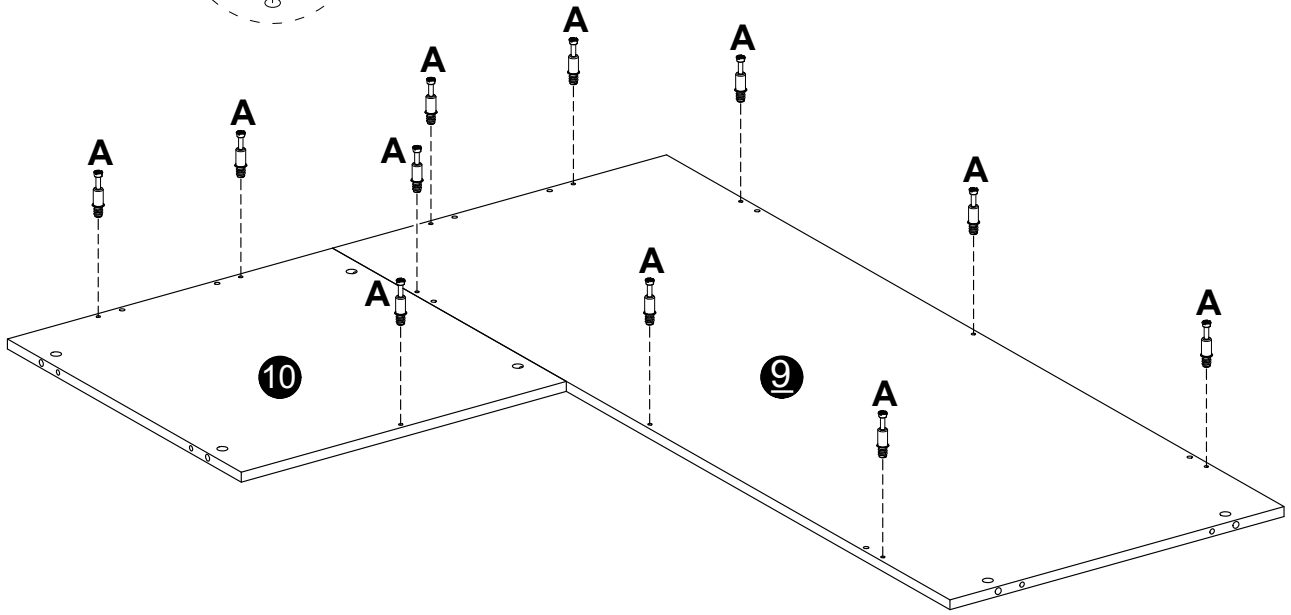
B	C
	
Ø12x10mm	Ø6x30mm
2 pcs	2 pcs



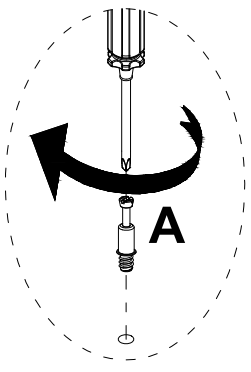
**3**

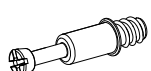


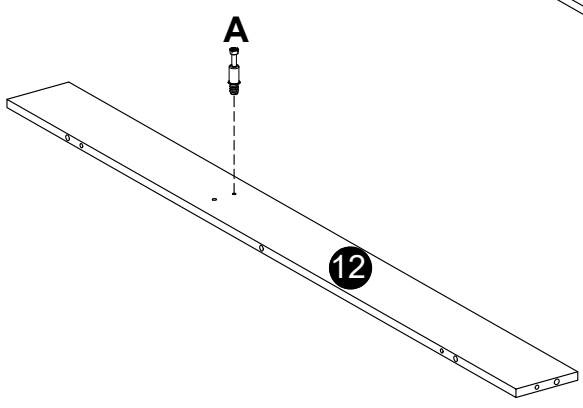
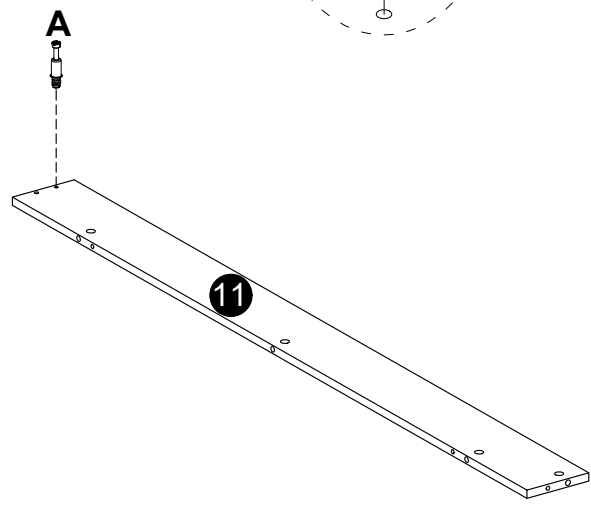
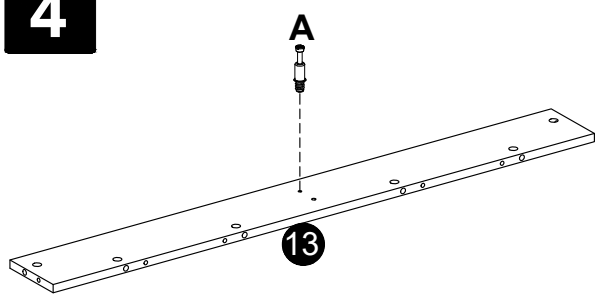
<b>A</b>

Ø6x28mm
11 pcs



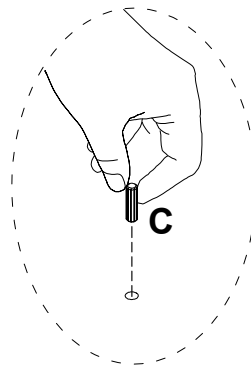
**4**



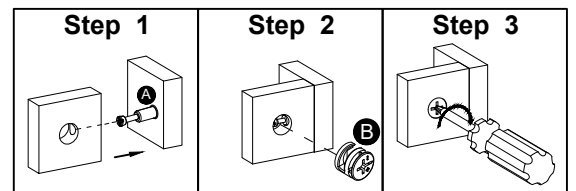
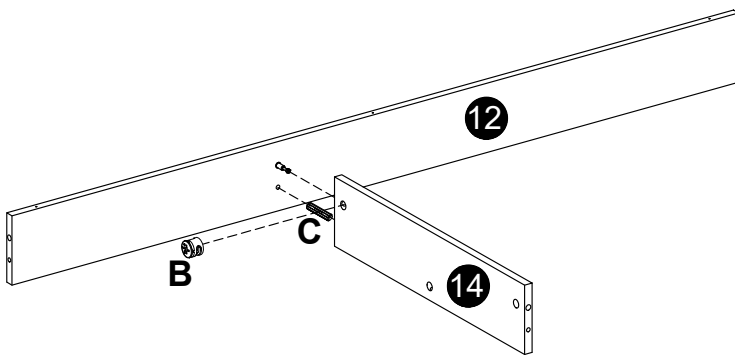
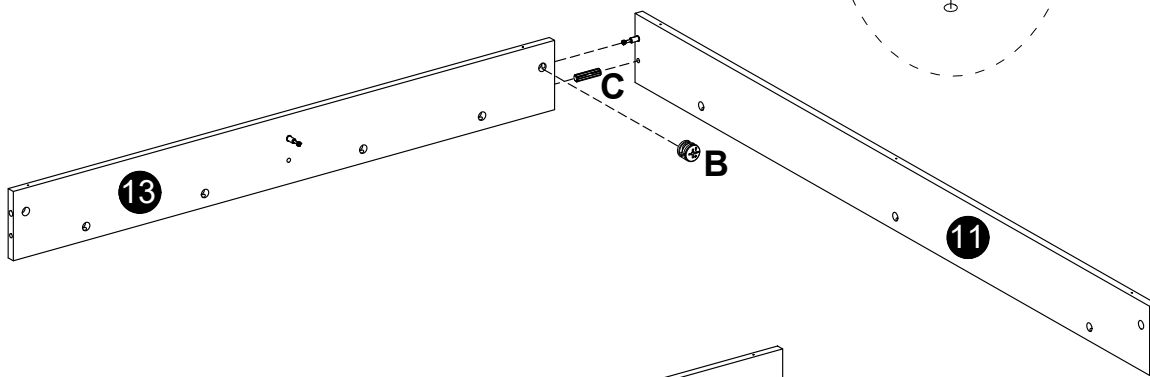
<b>A</b>

Ø6x28mm
3 pcs



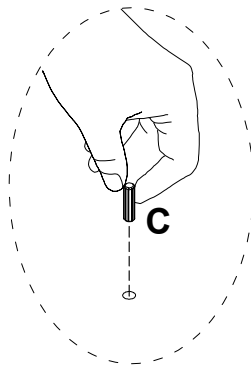
**5**



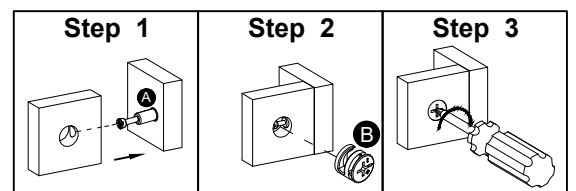
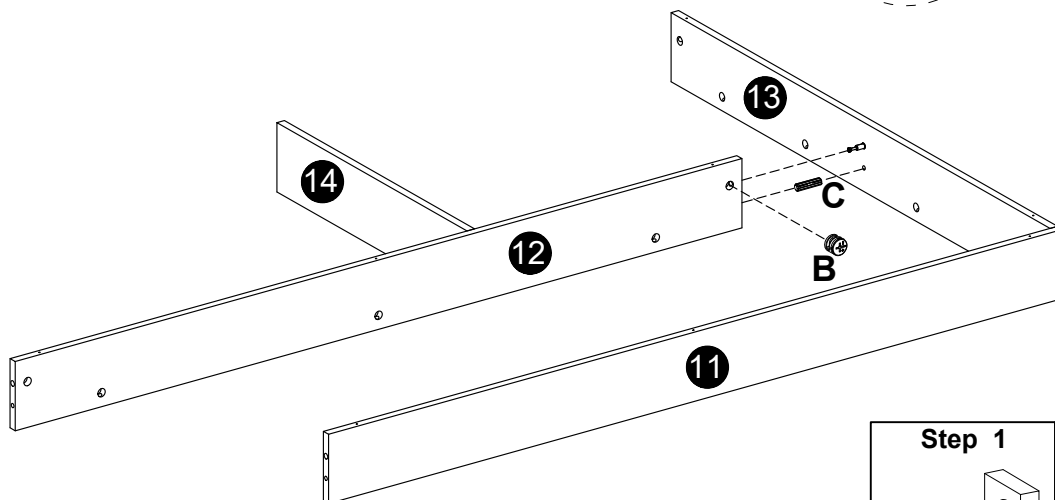
B	C
Ø12x10mm 2 pcs	Ø6x30mm 2 pcs



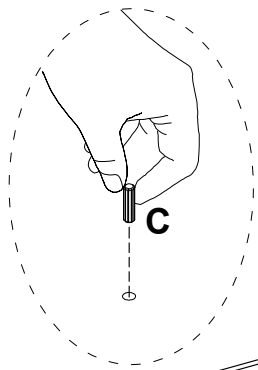
**6**

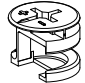



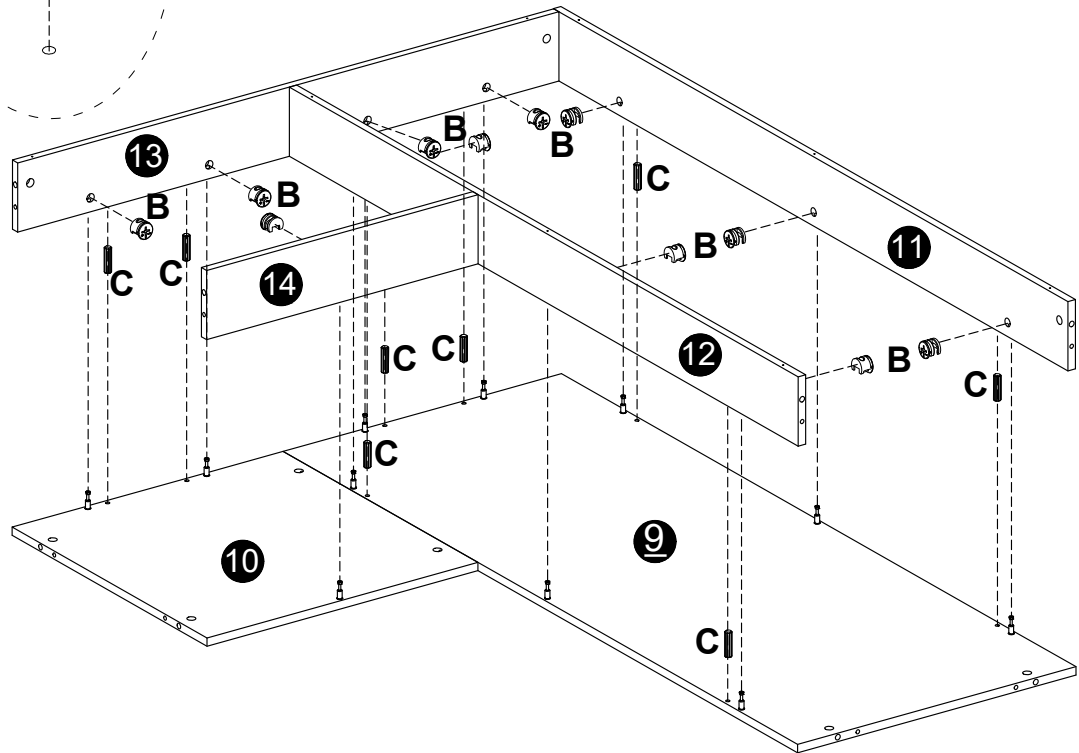
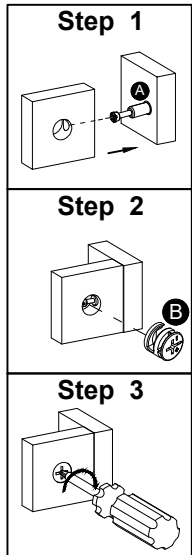
B	C
Ø12x10mm 1 pc	Ø6x30mm 1 pc



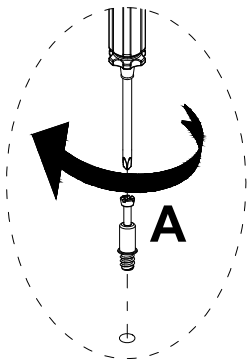
7

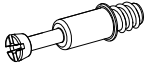


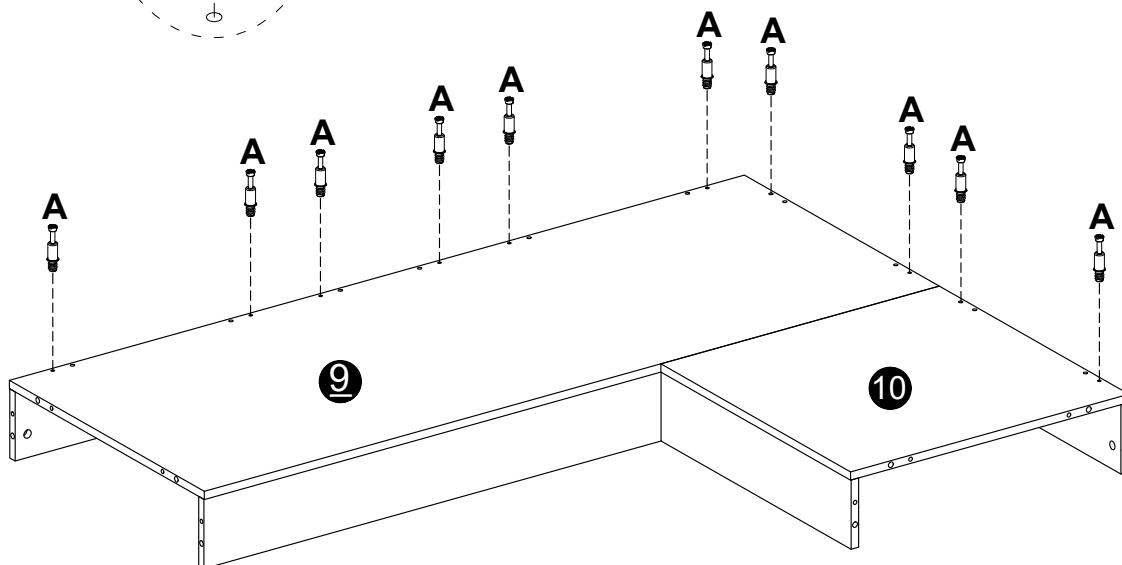
B	C
	
Ø12x10mm 11 pcs	Ø6x30mm 8 pcs



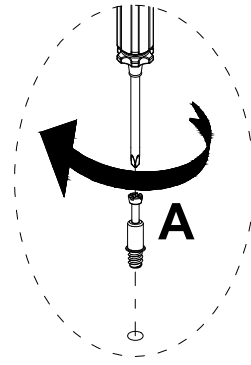
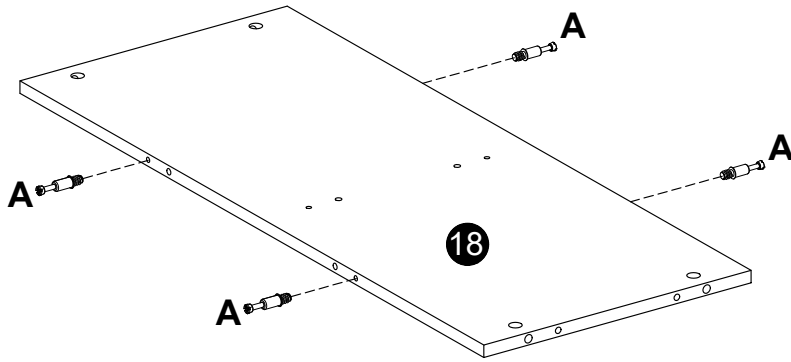
8

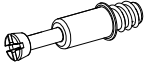


A

Ø6x28mm 10 pcs

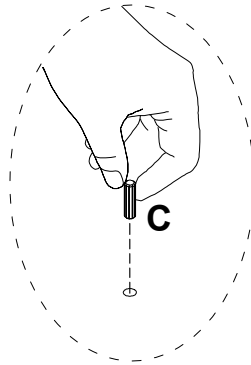




9

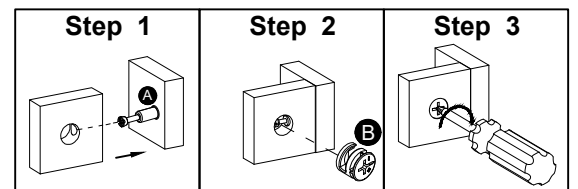
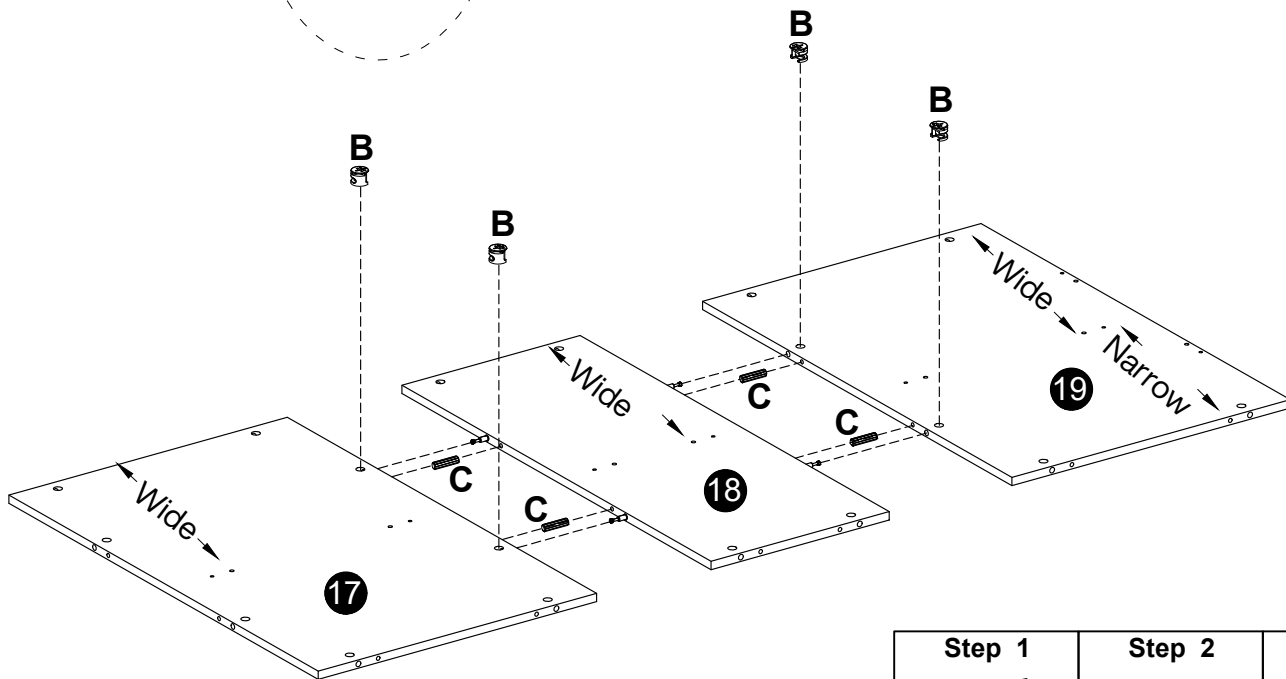


A

Ø6x28mm
4 pcs

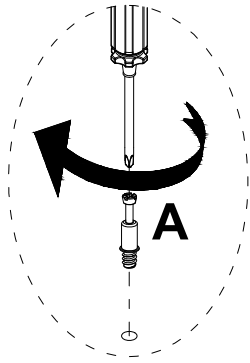
10

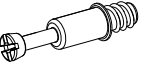


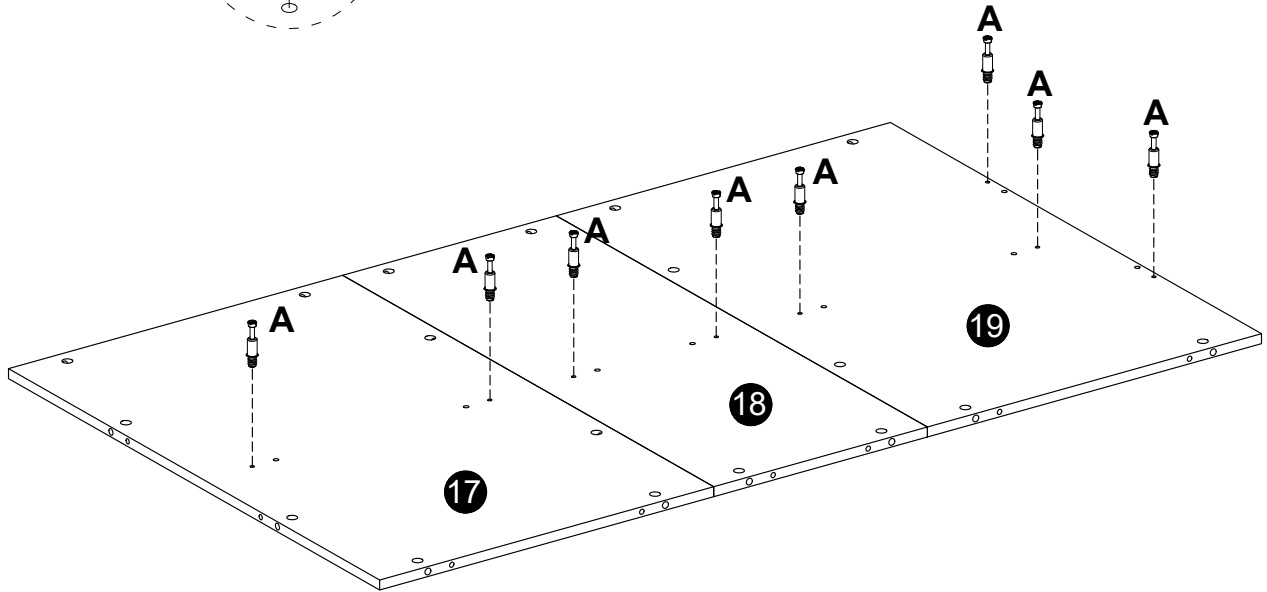
B	C
	
Ø12x10mm	Ø6x30mm
4 pcs	4 pcs



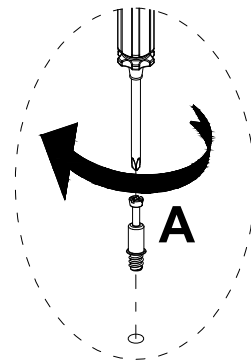
11

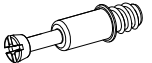


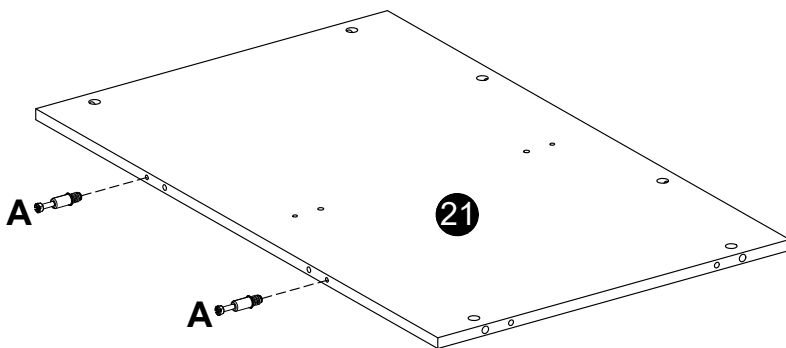
<b>A</b>

Ø6x28mm
8 pcs



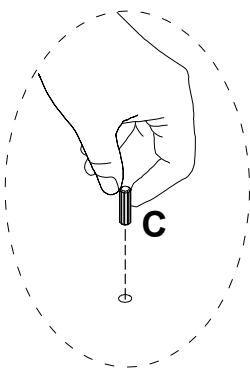
12

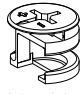



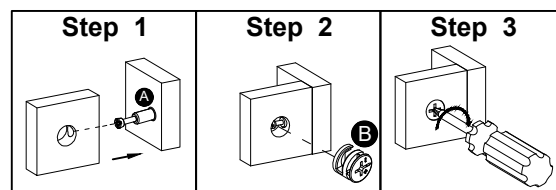
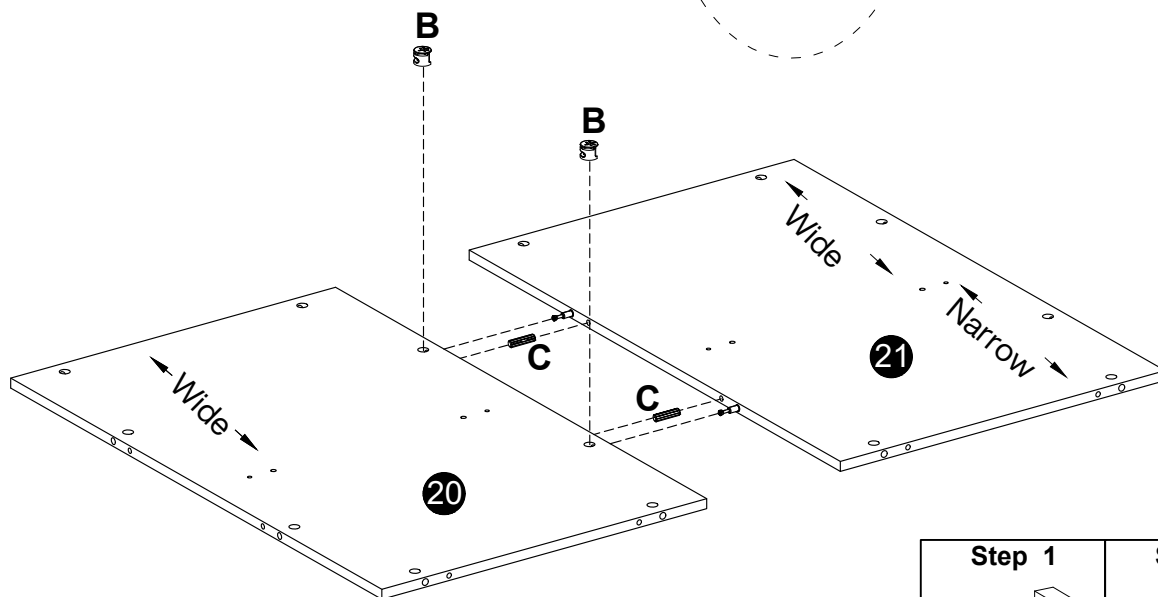
<b>A</b>

Ø6x28mm
2 pcs



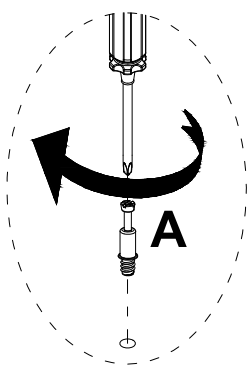
13

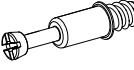


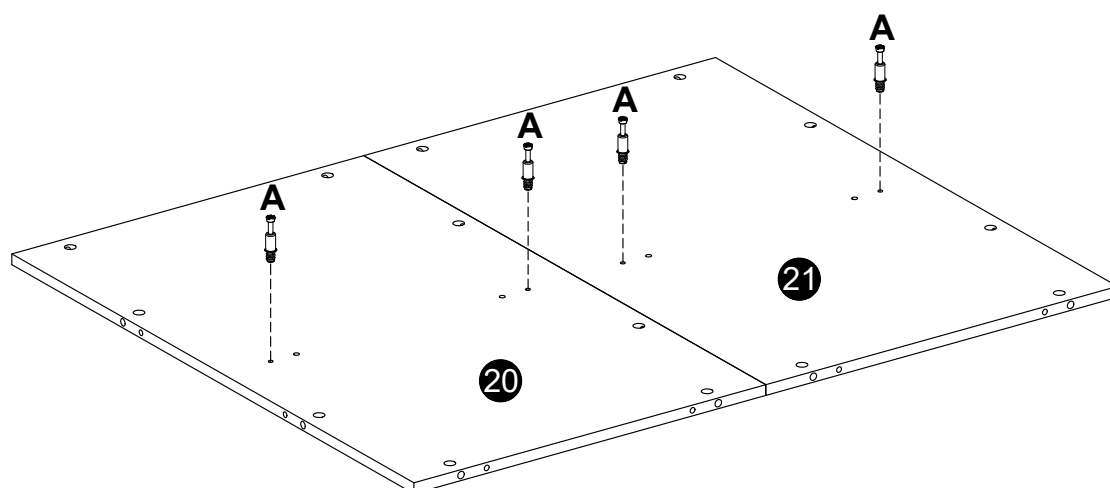
B	C
	
Ø12x10mm 2 pcs	Ø6x30mm 2 pcs



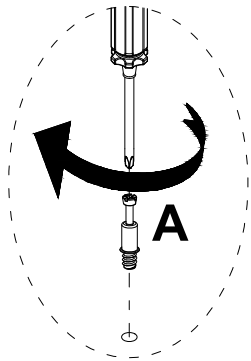
14

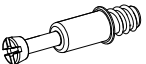


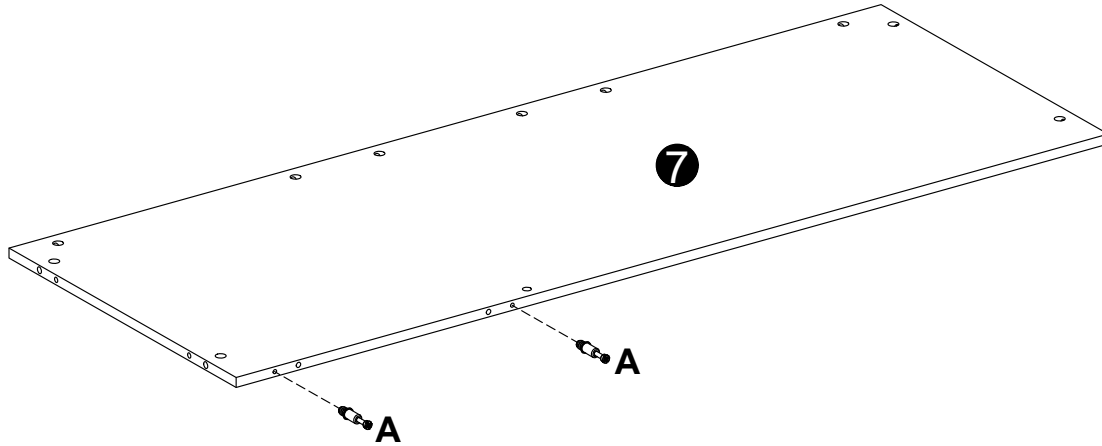
A

Ø6x28mm 4 pcs



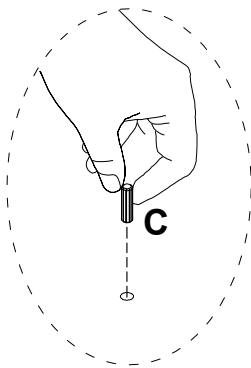
15

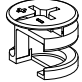



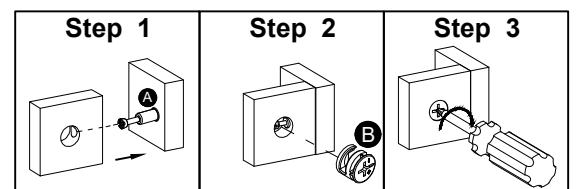
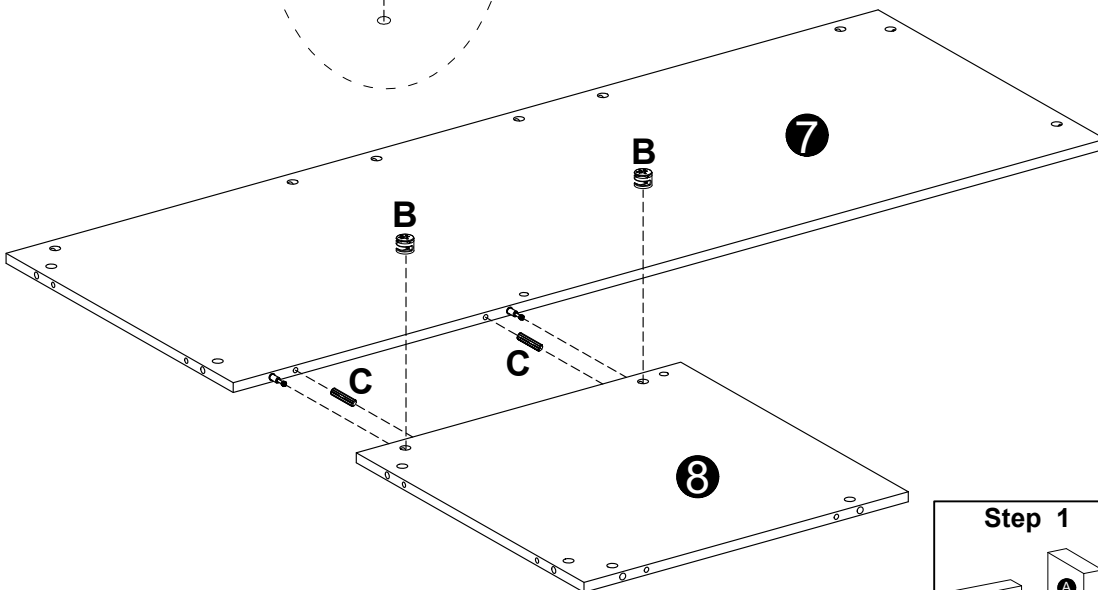
<b>A</b>

Ø6x28mm
2 pcs





16



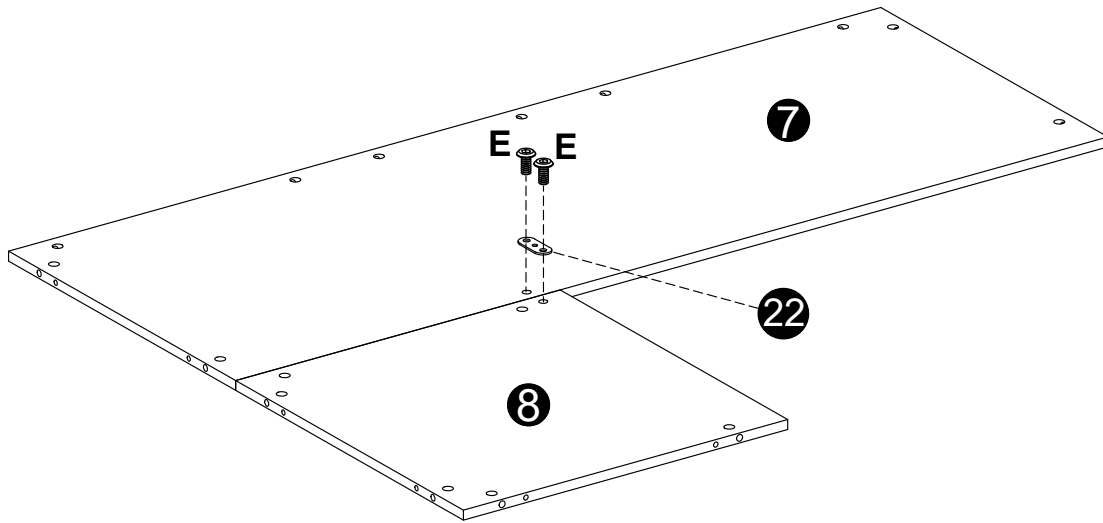
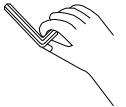
<b>B</b>	<b>C</b>
	
Ø12x10mm	Ø6x30mm
2 pcs	2 pcs





17

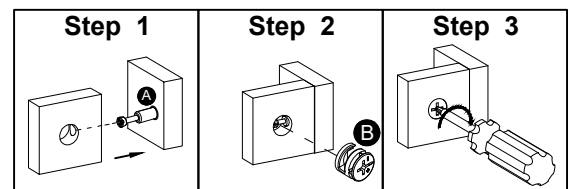
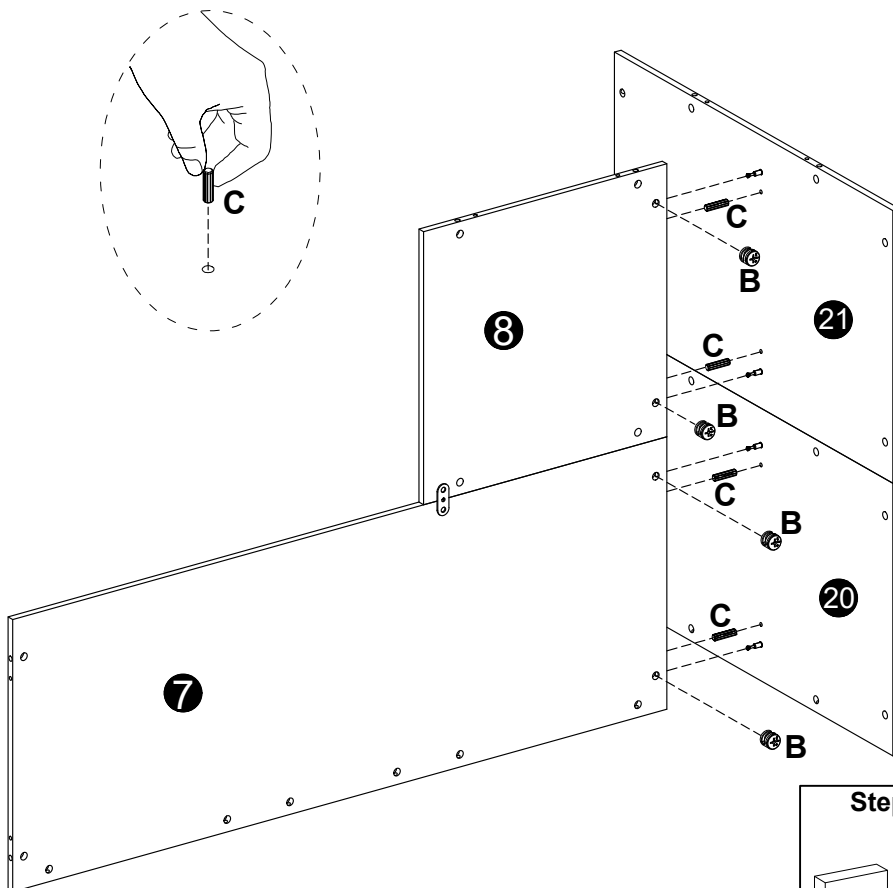
E	F
	
M6x8mm 2 pcs	M4x65mm 1 pc

screw down 

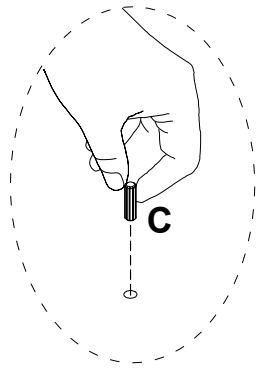


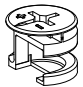

18

B	C
	
Ø12x10mm 4 pcs	Ø6x30mm 4 pcs

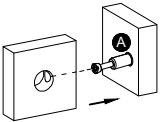


# 19

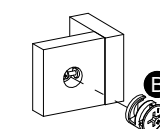


B	C
	
Ø12x10mm 8 pcs	Ø6x30mm 8 pcs

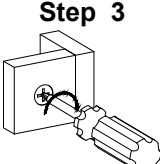
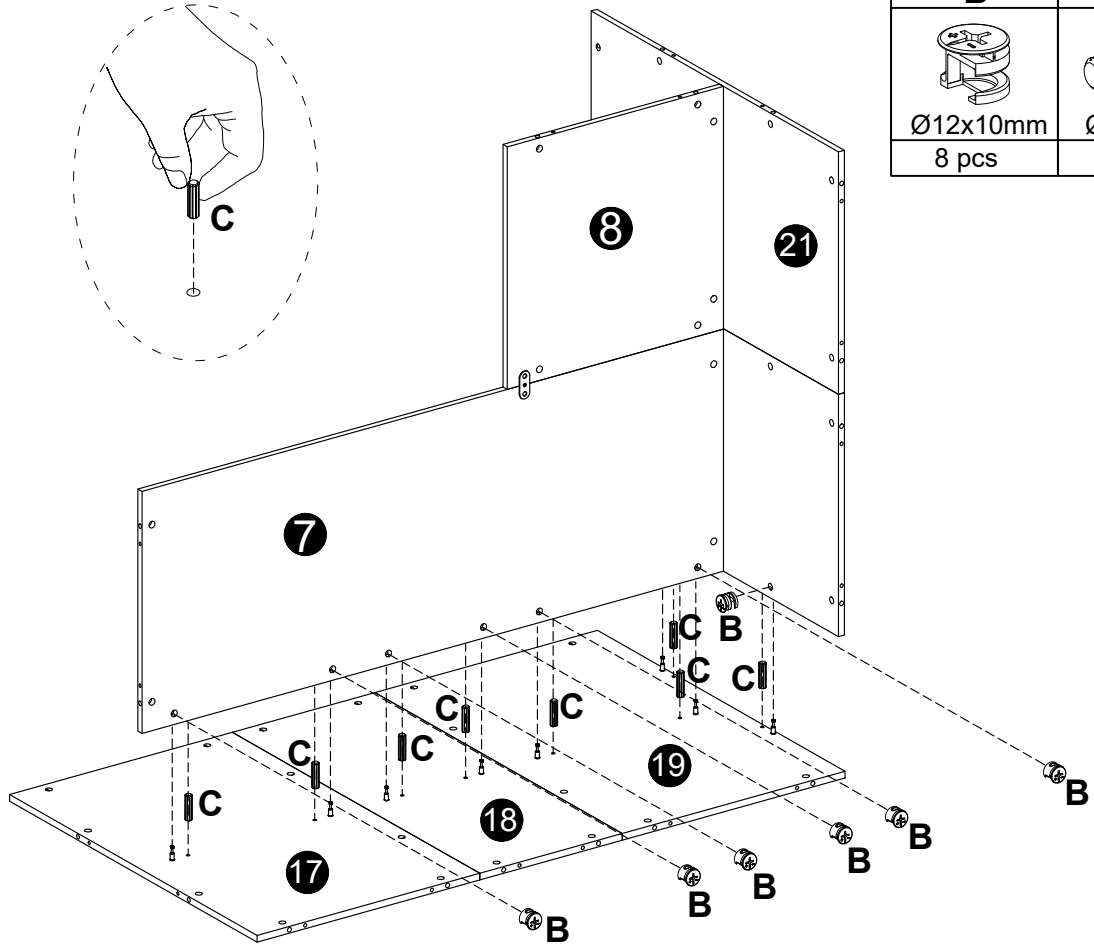
**Step 1**



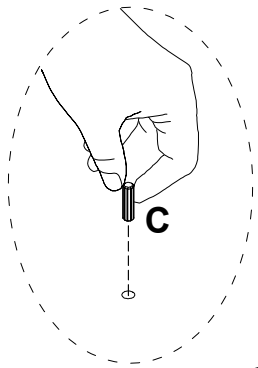
**Step 2**

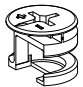



**Step 3**

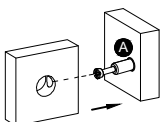



# 20

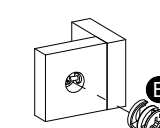


B	C
	
Ø12x10mm 10 pcs	Ø6x30mm 10 pcs

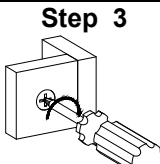
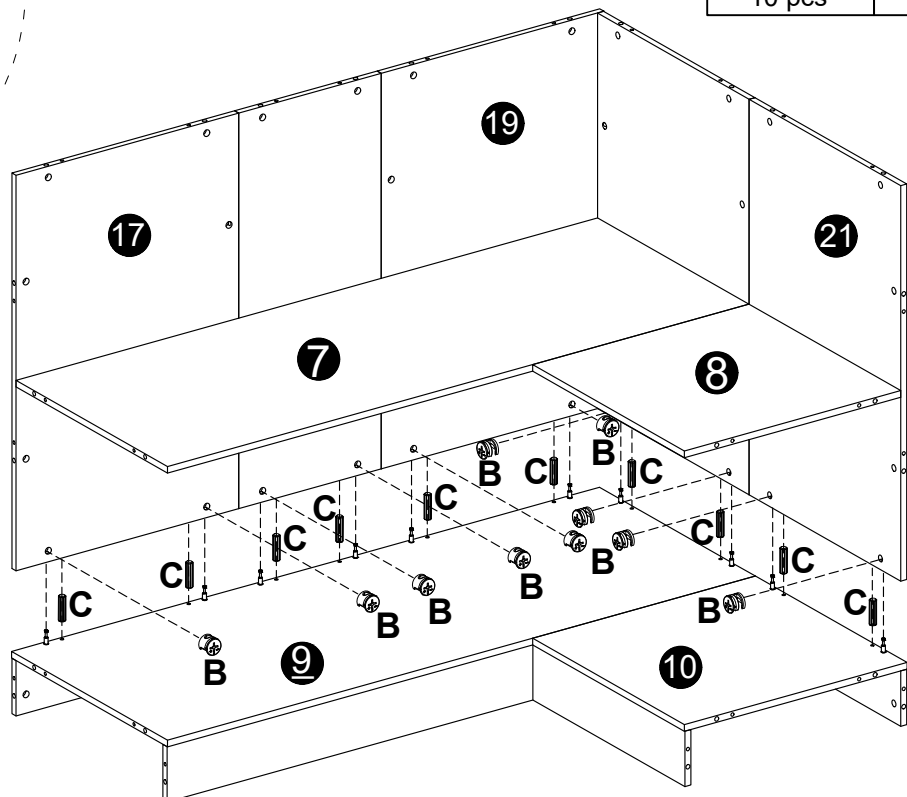
**Step 1**



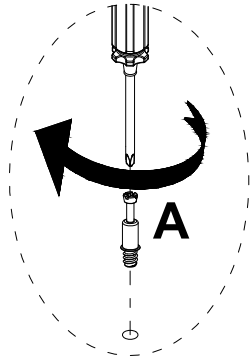
**Step 2**

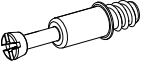


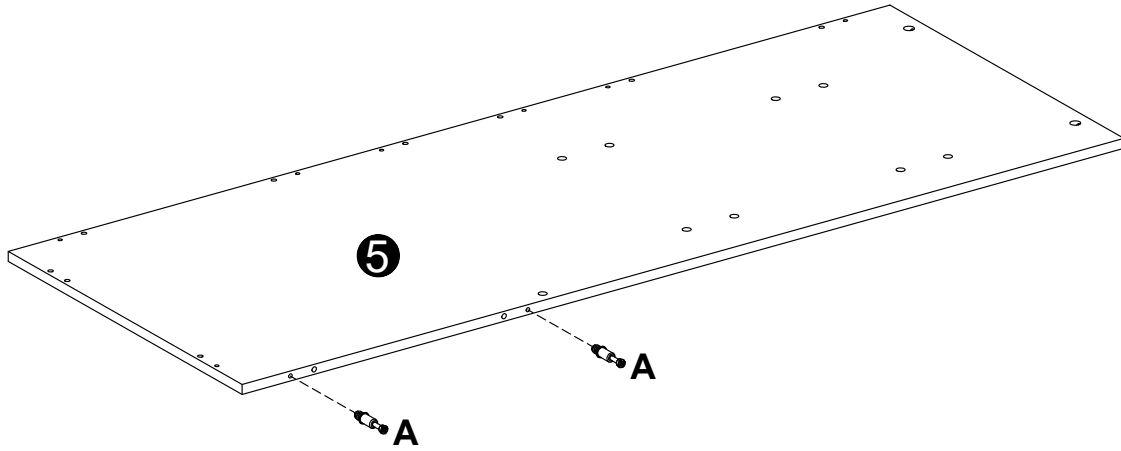
**Step 3**

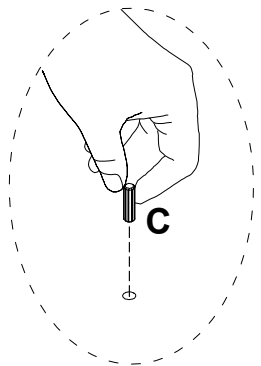
21

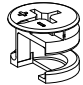



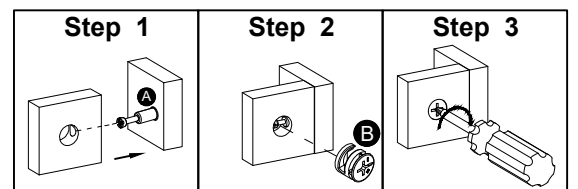
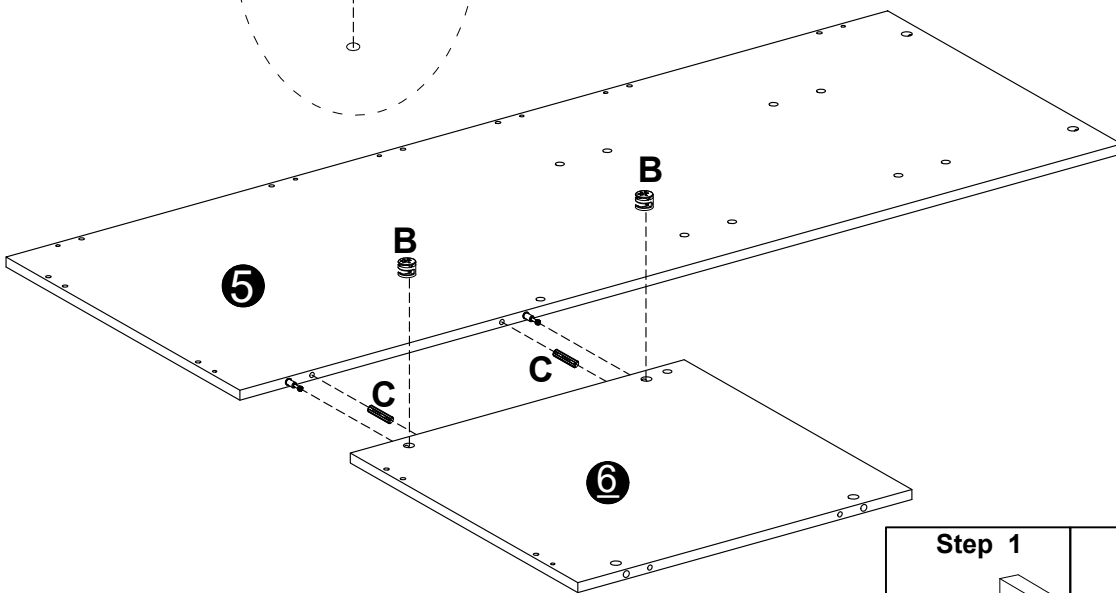
A

Ø6x28mm
2 pcs




22



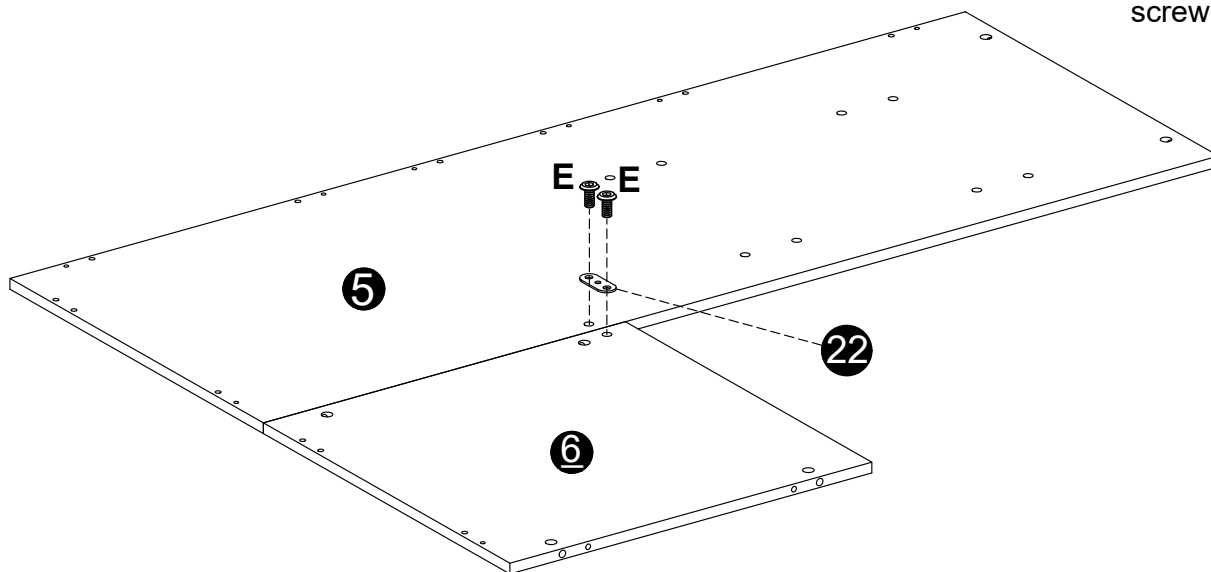
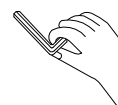
B	C
	
Ø12x10mm	Ø6x30mm
2 pcs	2 pcs




23

<b>E</b>

M6x8mm
2 pcs

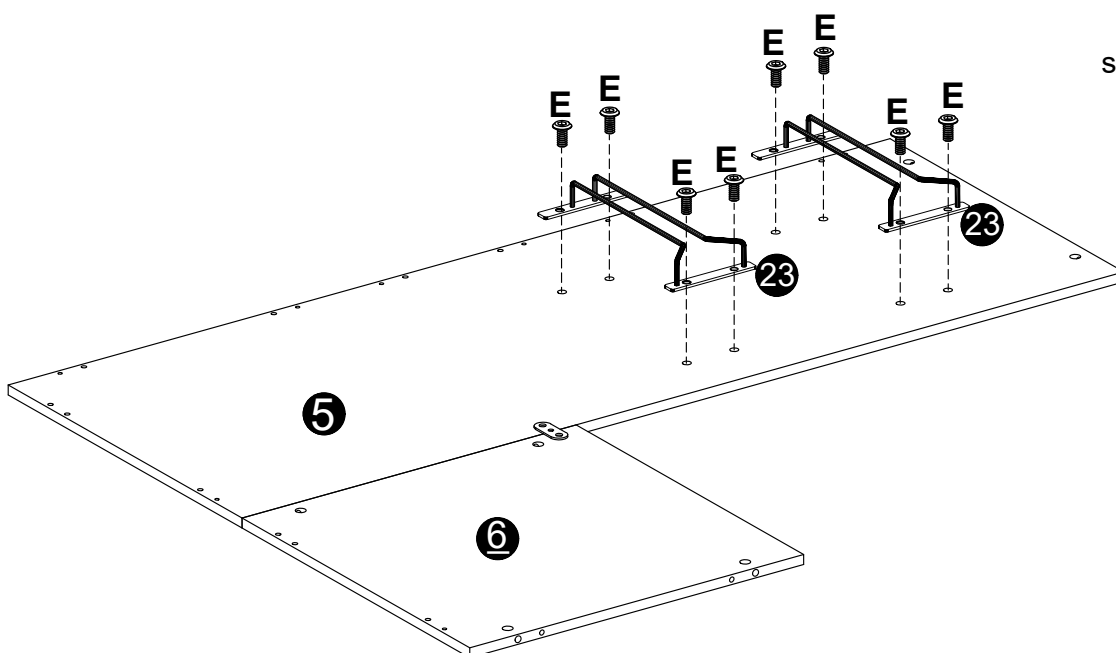
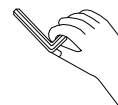
screw down 



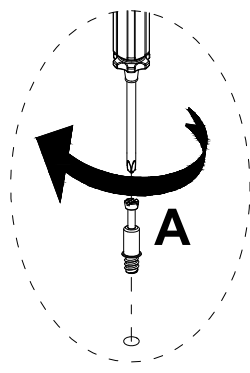
24

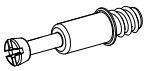
<b>E</b>

M6x8mm
8 pcs

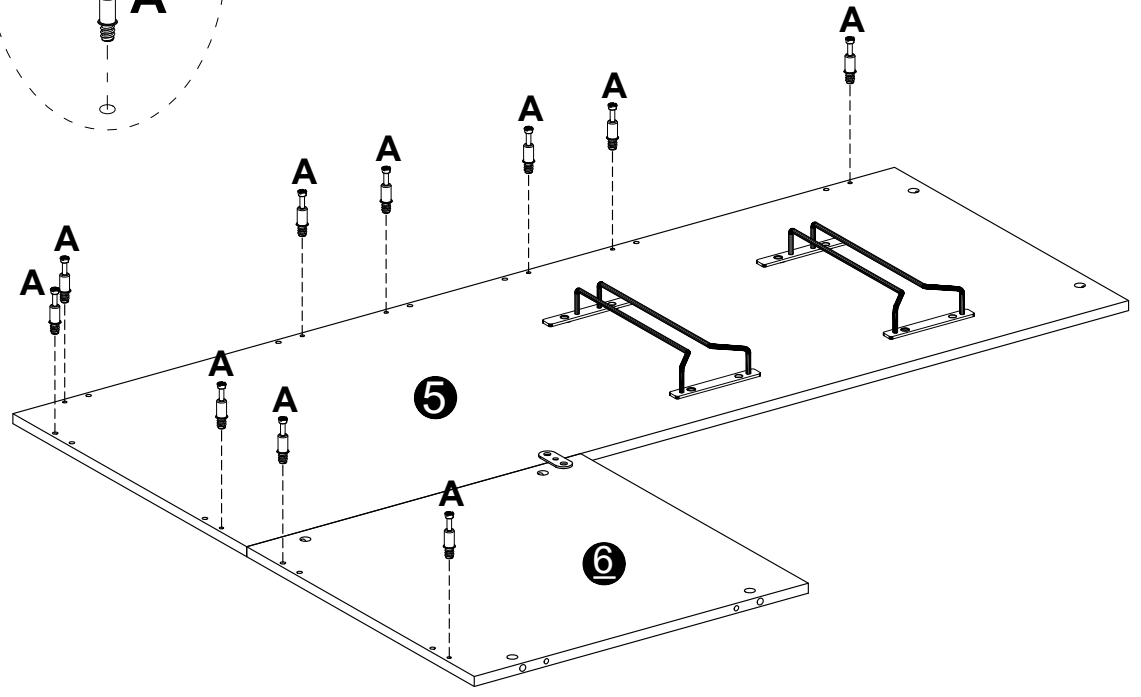
screw down 




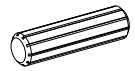
25

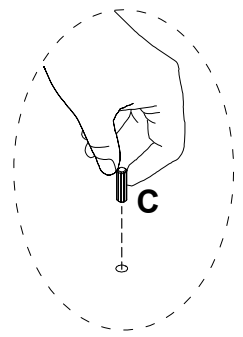
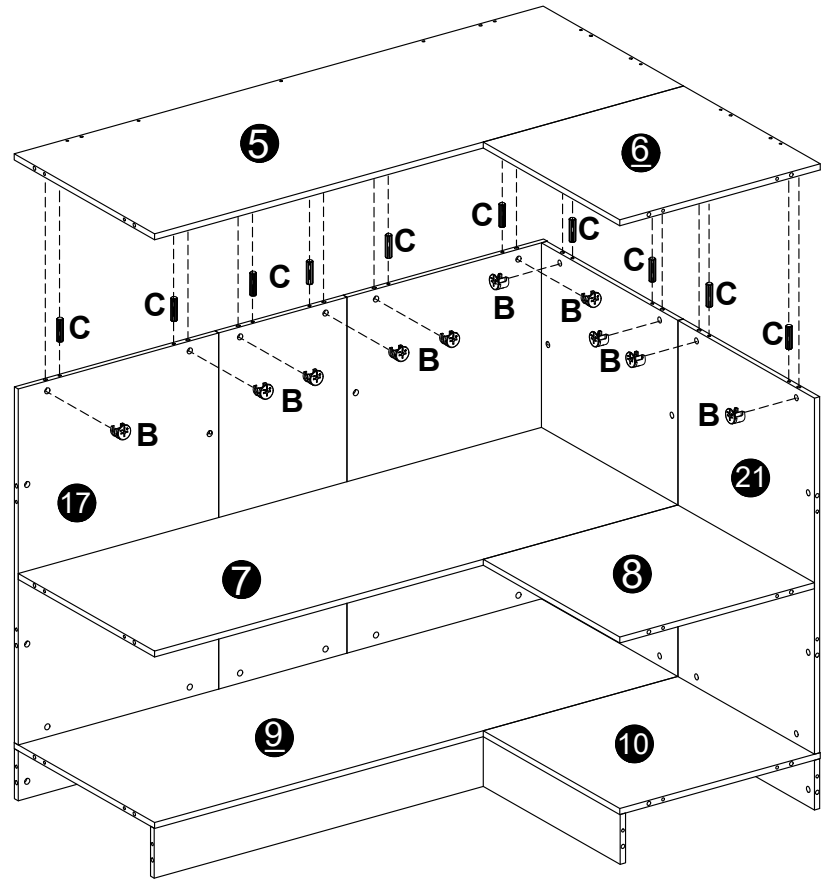
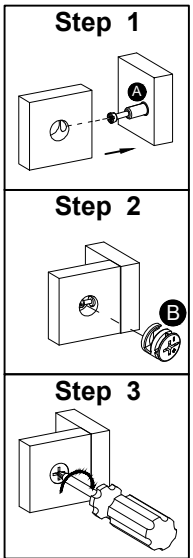


A

Ø6x28mm
10 pcs

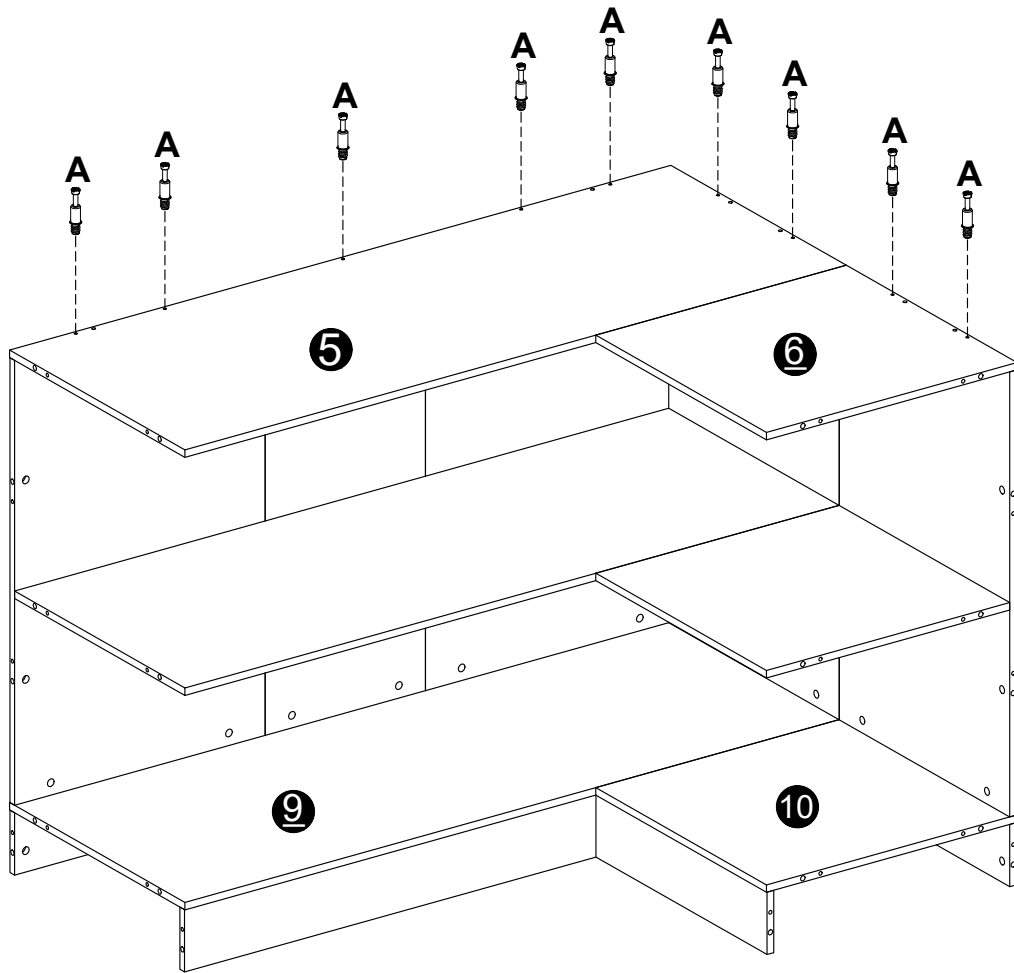
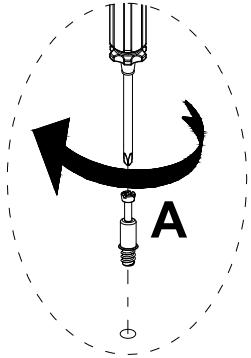


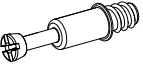
26

B	C
	
Ø12x10mm	Ø6x30mm
10 pcs	10 pcs

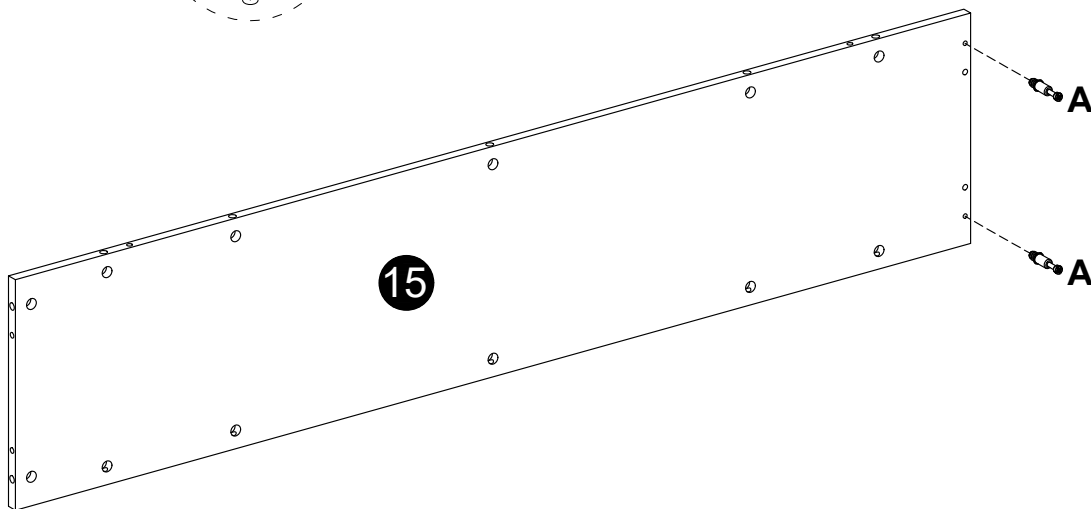
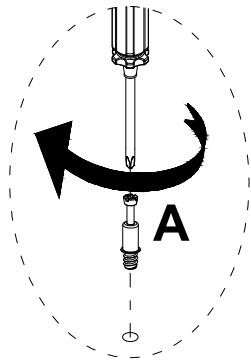


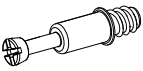
27



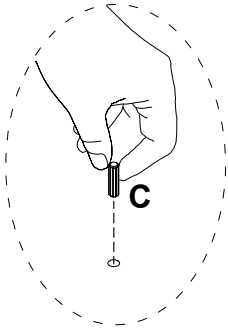
<b>A</b>

Ø6x28mm
9 pcs

28

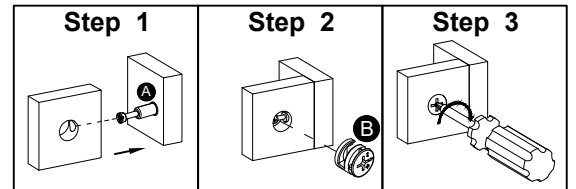
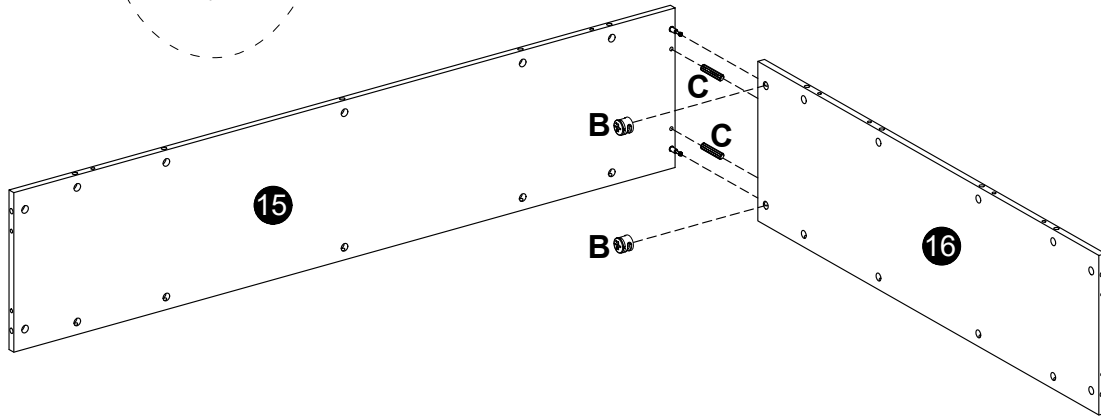


<b>A</b>

Ø6x28mm
2 pcs

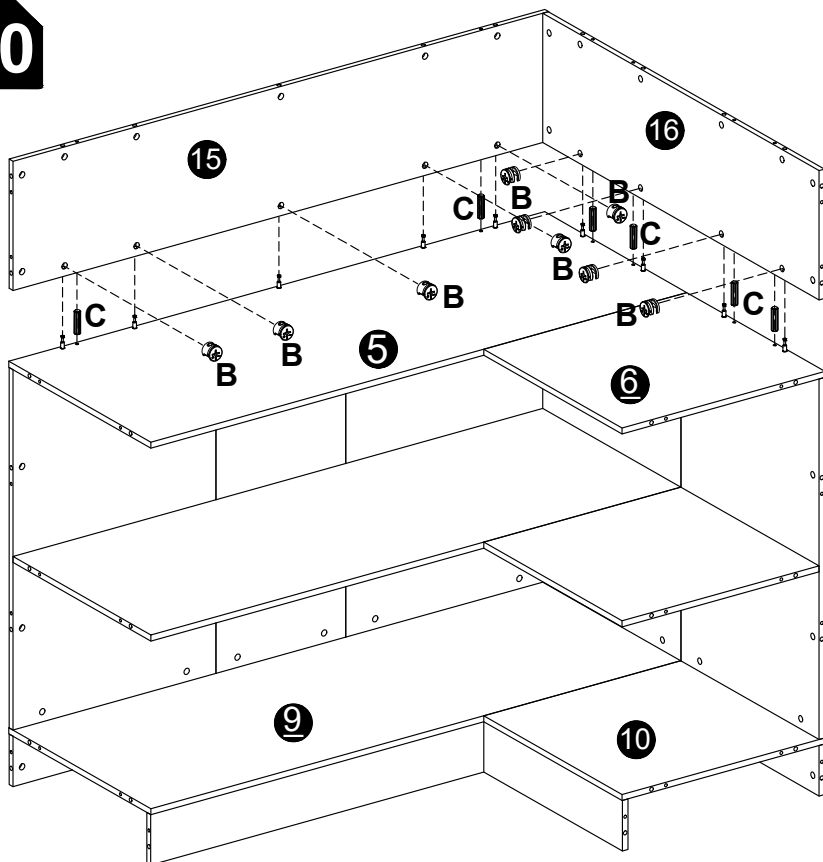
**29**



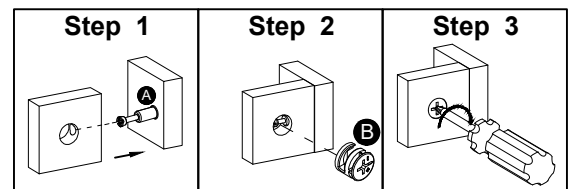
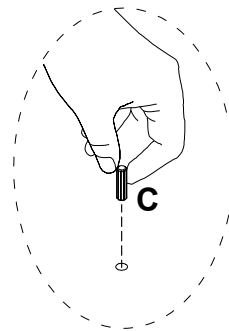
B	C
Ø12x10mm	Ø6x30mm
2 pcs	2 pcs



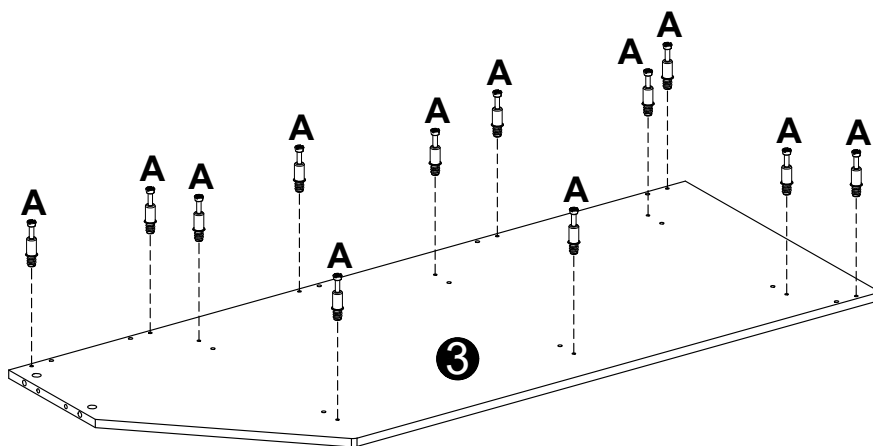
**30**

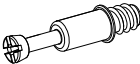


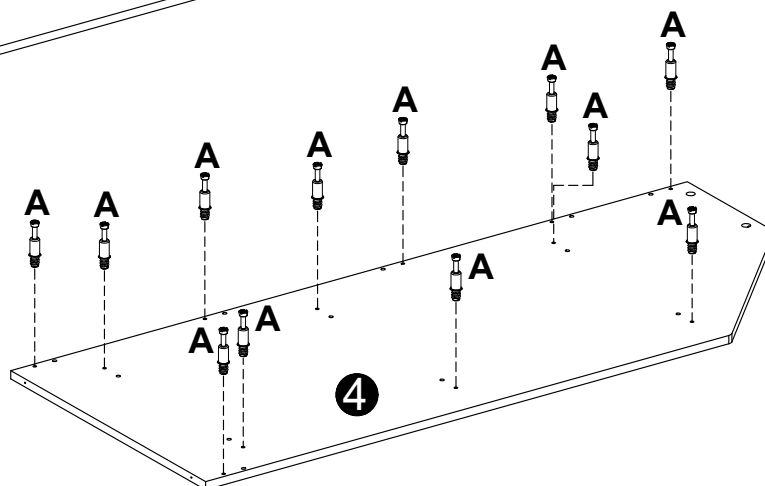
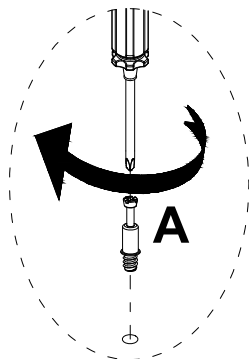
B	C
Ø12x10mm	Ø6x30mm
9 pcs	6 pcs



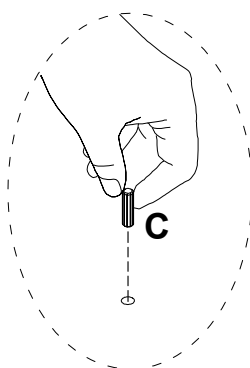
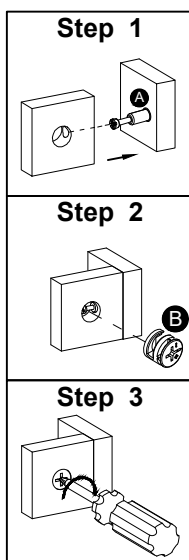
**31**





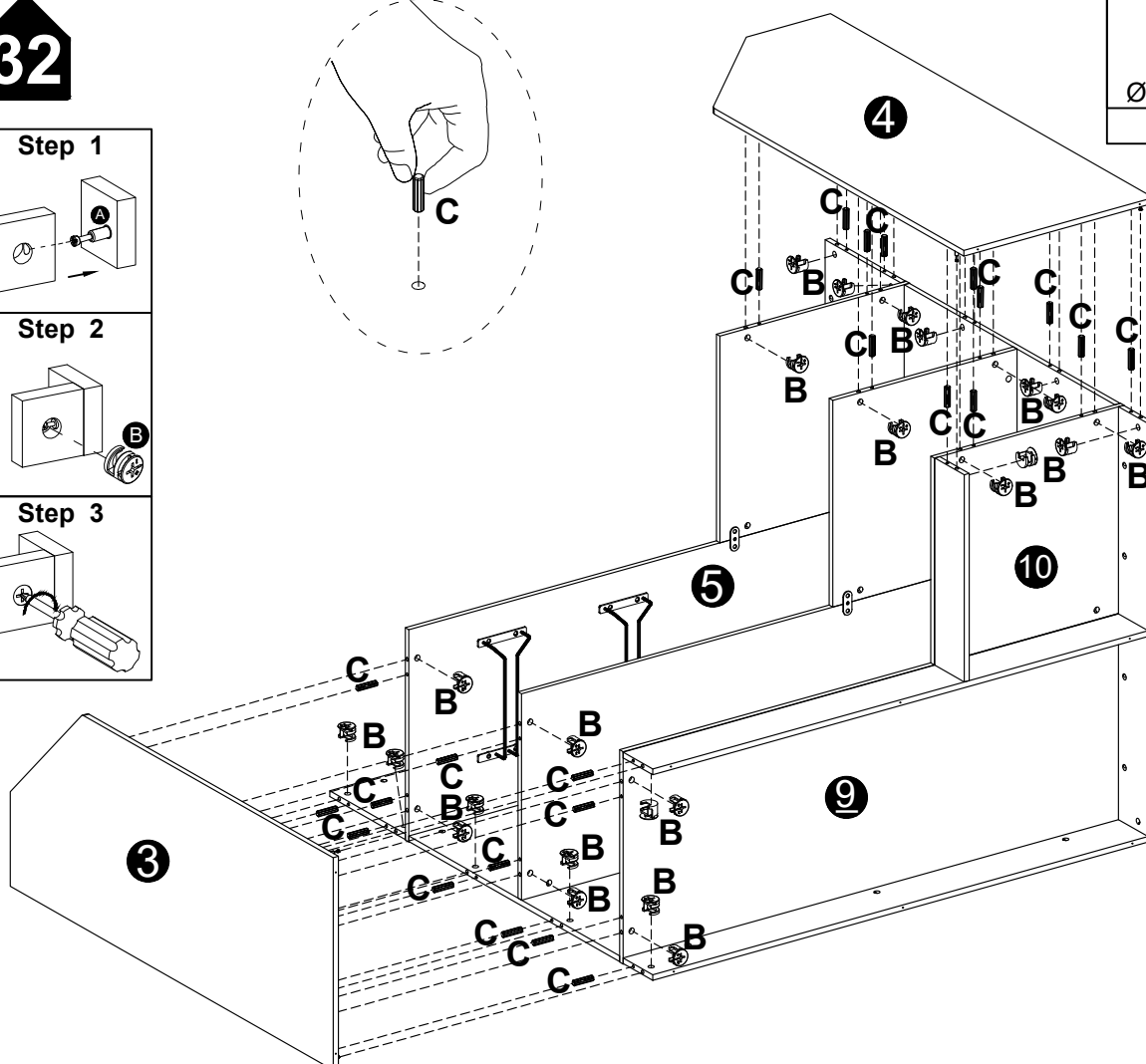
<b>A</b>

Ø6x28mm
24 pcs



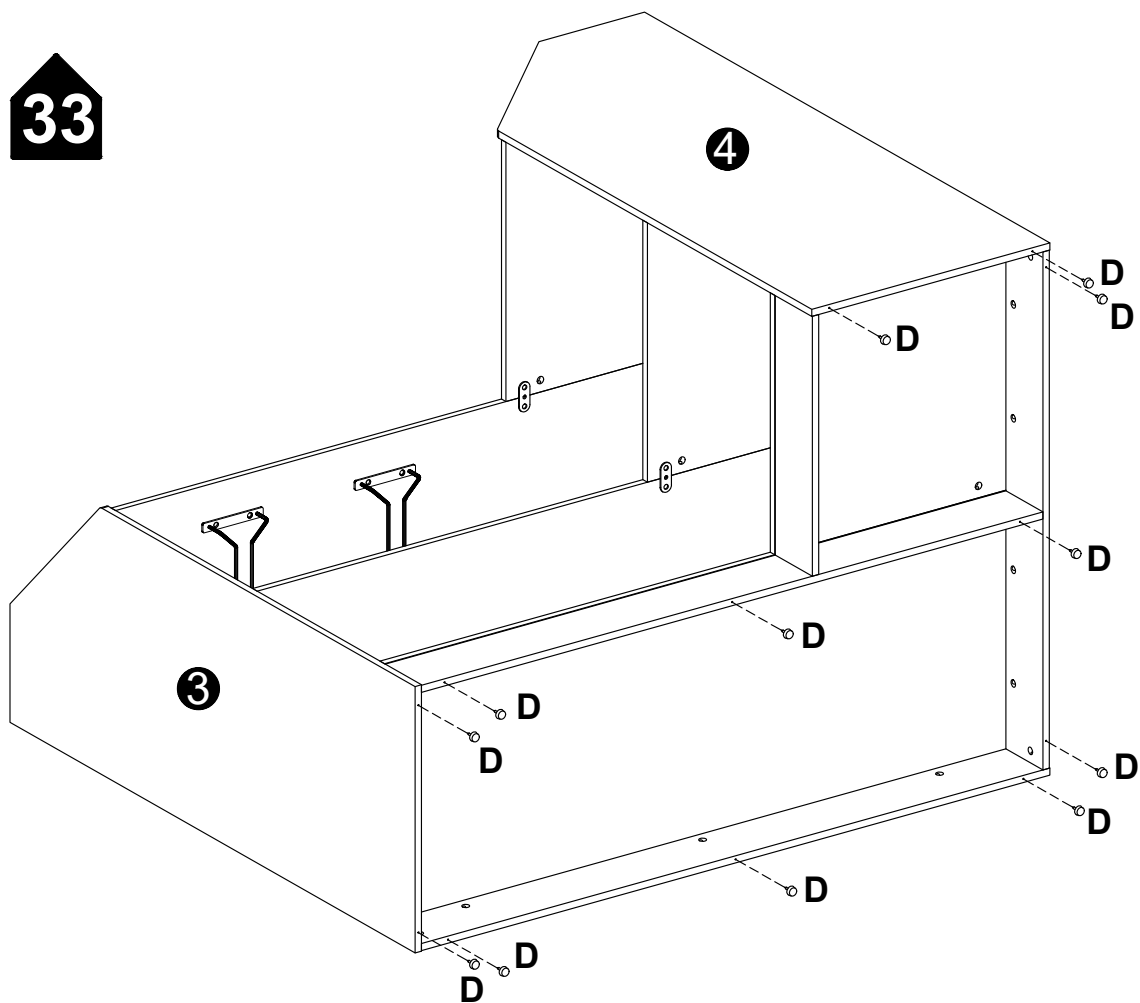
**32**




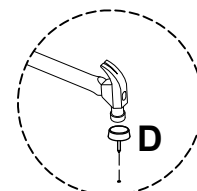
<b>B</b>	<b>C</b>
	
Ø12x10mm	Ø6x30mm
24 pcs	24 pcs



33

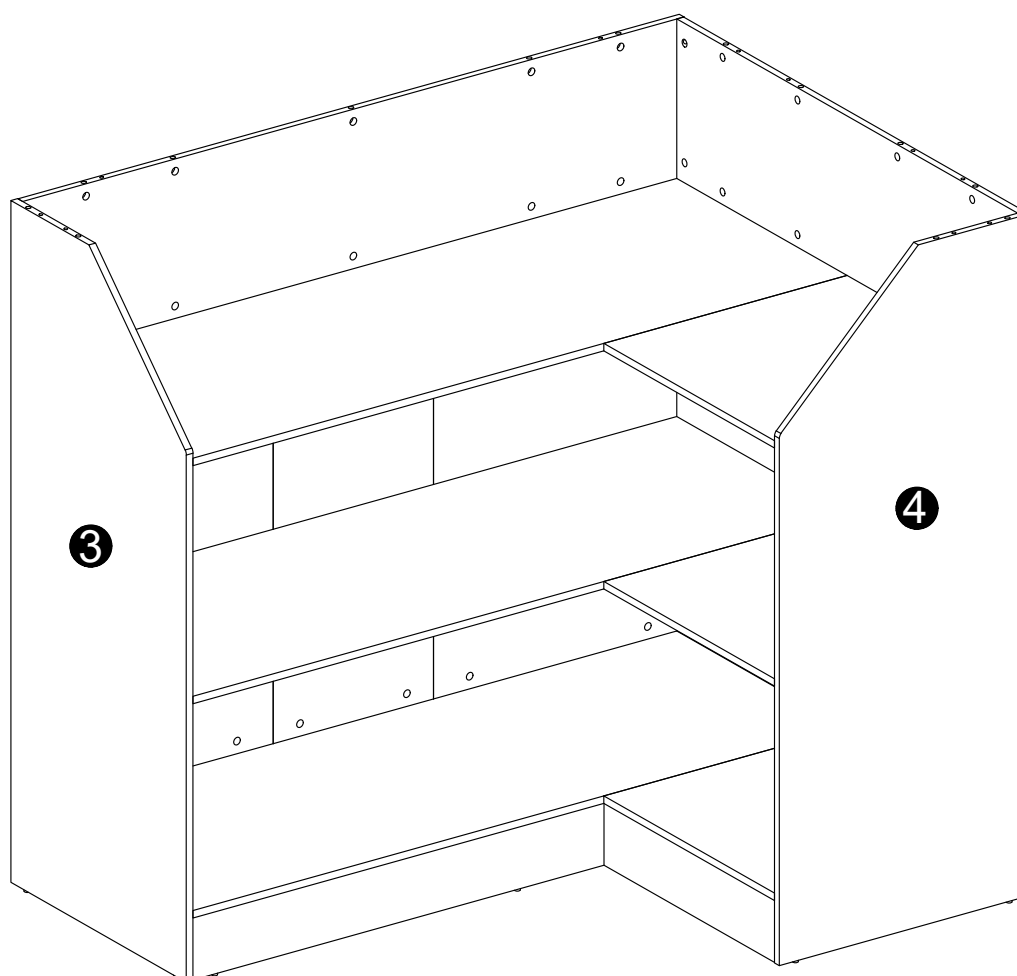


<b>D</b>

Ø11x4mm
12 pcs

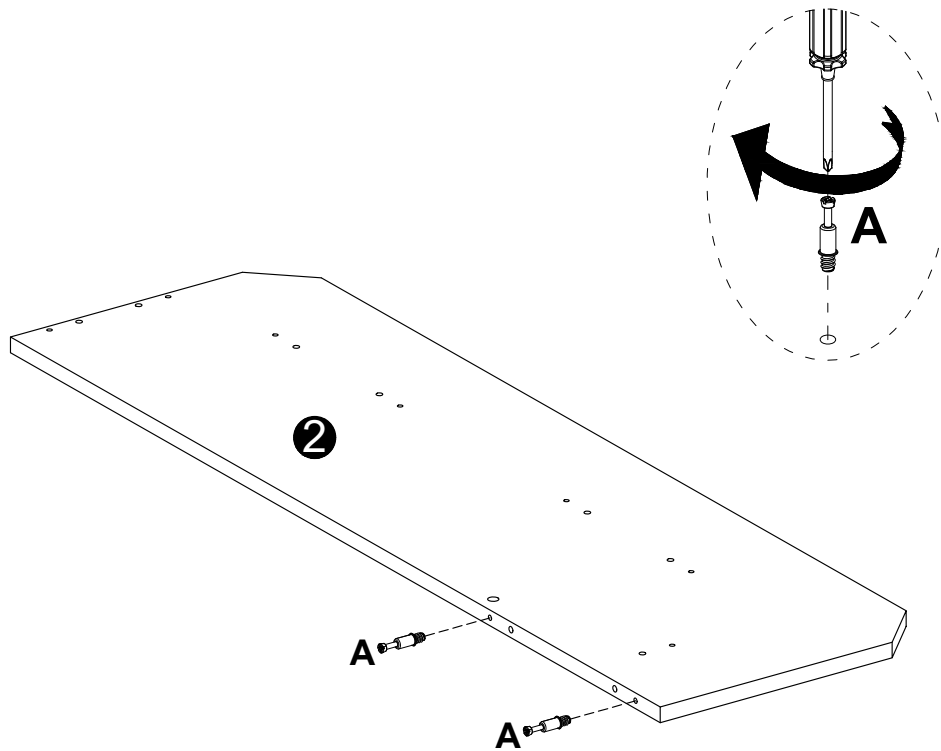


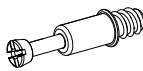
**⚠ Caution! Tap lightly**

34

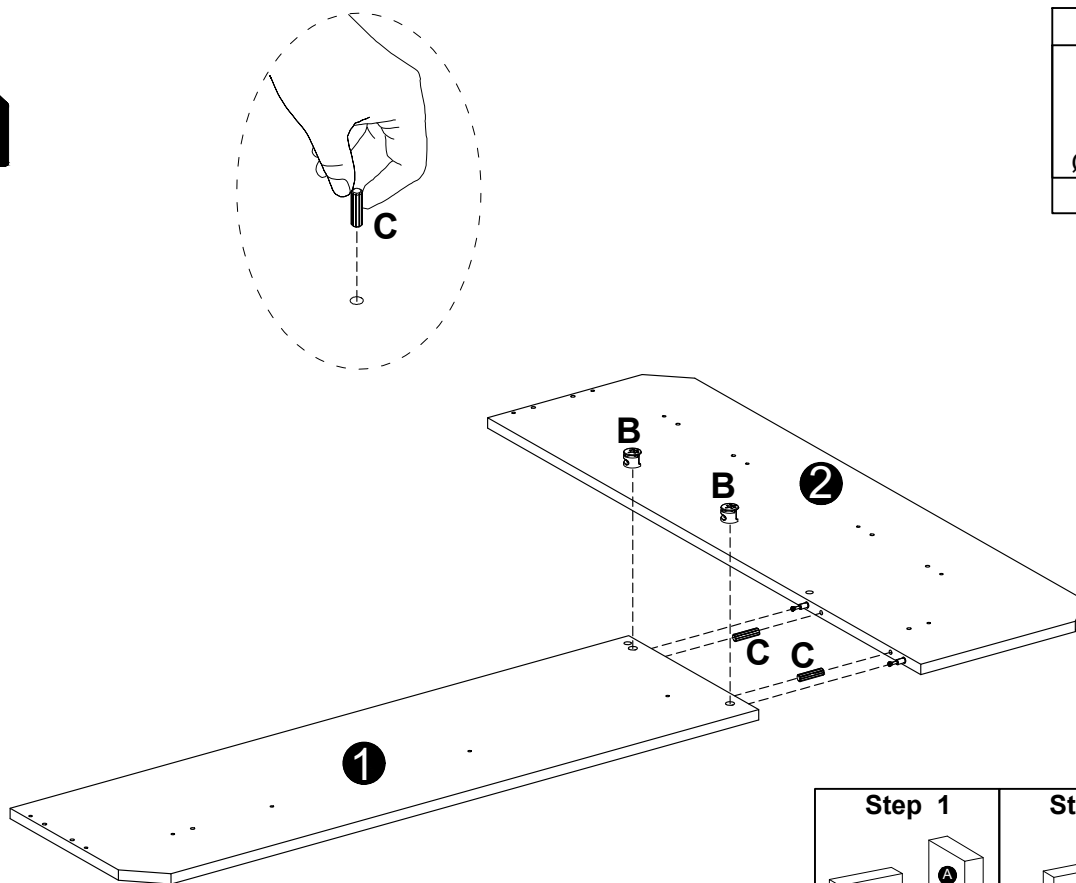


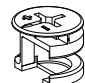

35

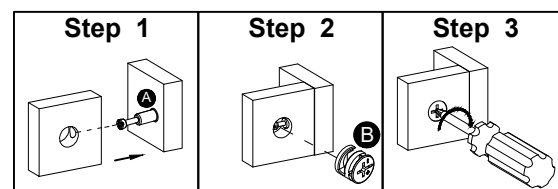


<b>A</b>

Ø6x28mm
2 pcs


36



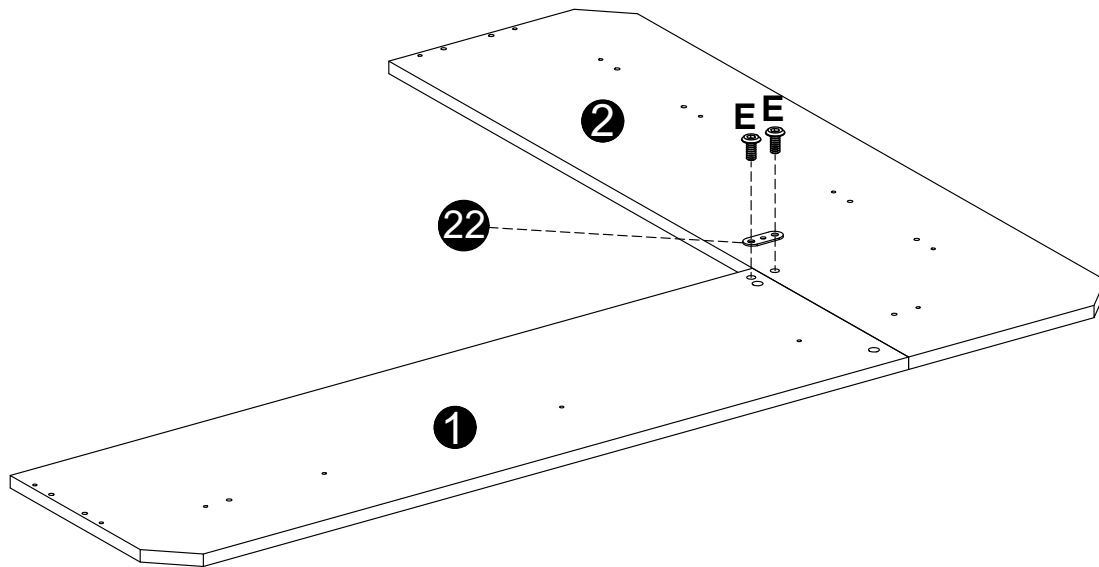
<b>B</b>	<b>C</b>
	
Ø12x10mm	Ø6x30mm
2 pcs	2 pcs



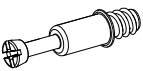
37

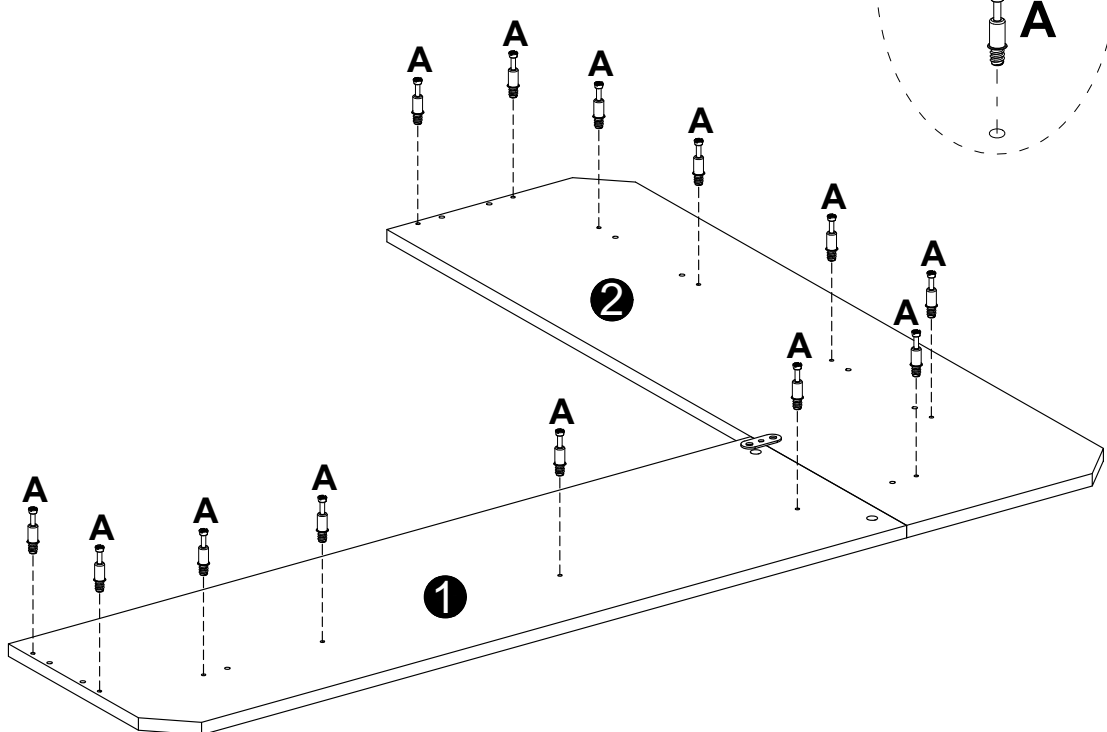
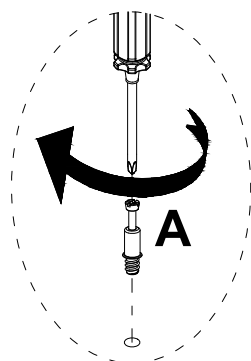
<b>E</b>

M6x8mm
2 pcs

screw down 

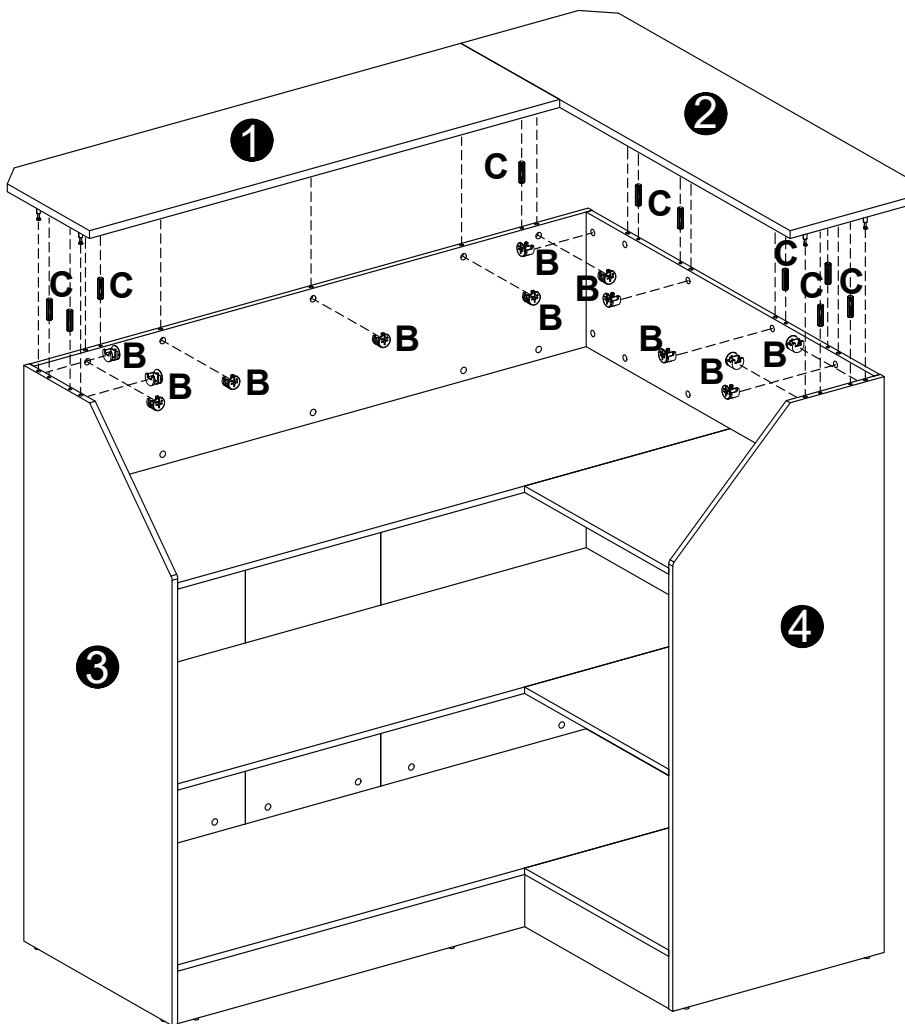


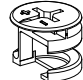

38

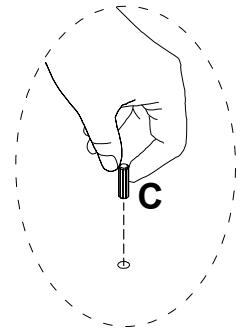
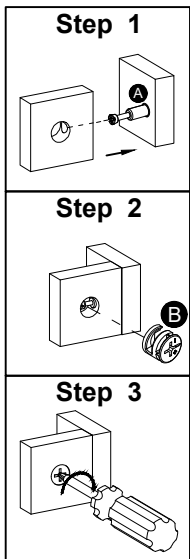
<b>A</b>

Ø6x28mm
13 pcs



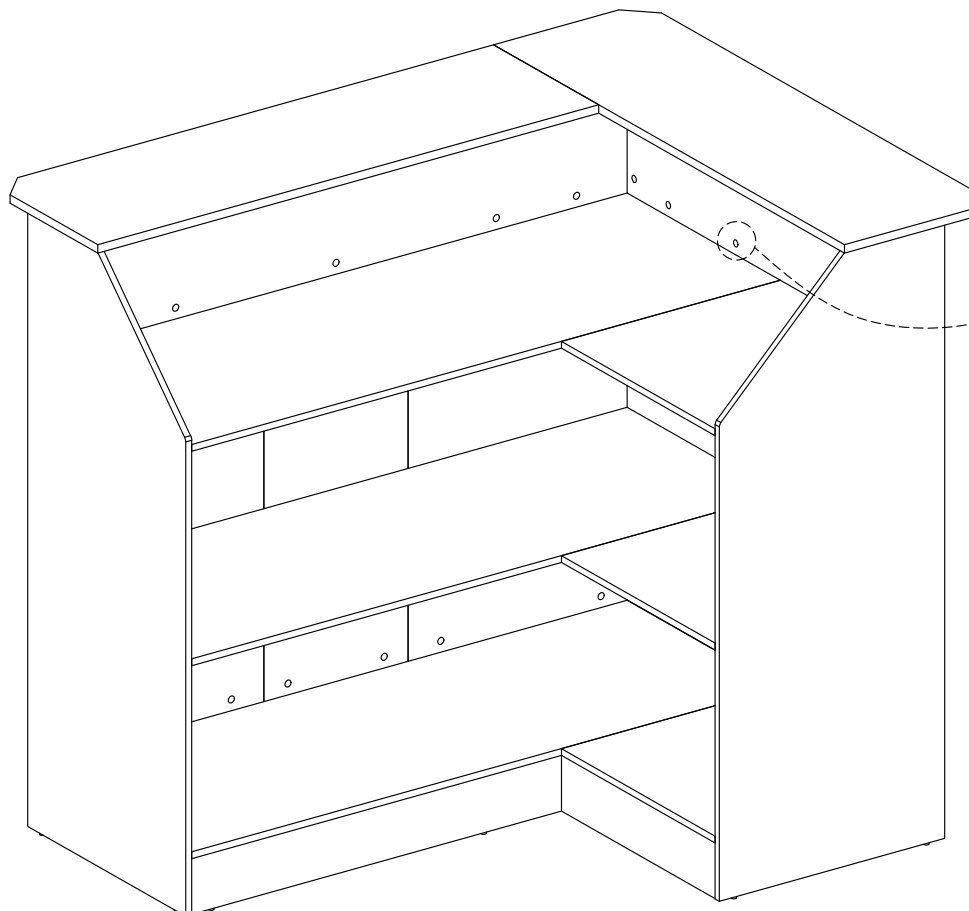
**39**




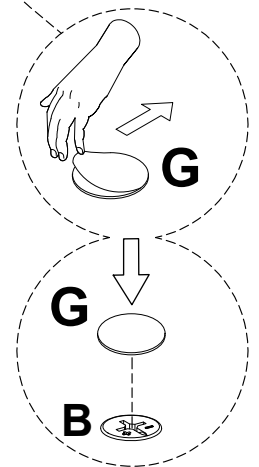
B	C
	
Ø12x10mm 13 pcs	Ø6x30mm 10 pcs



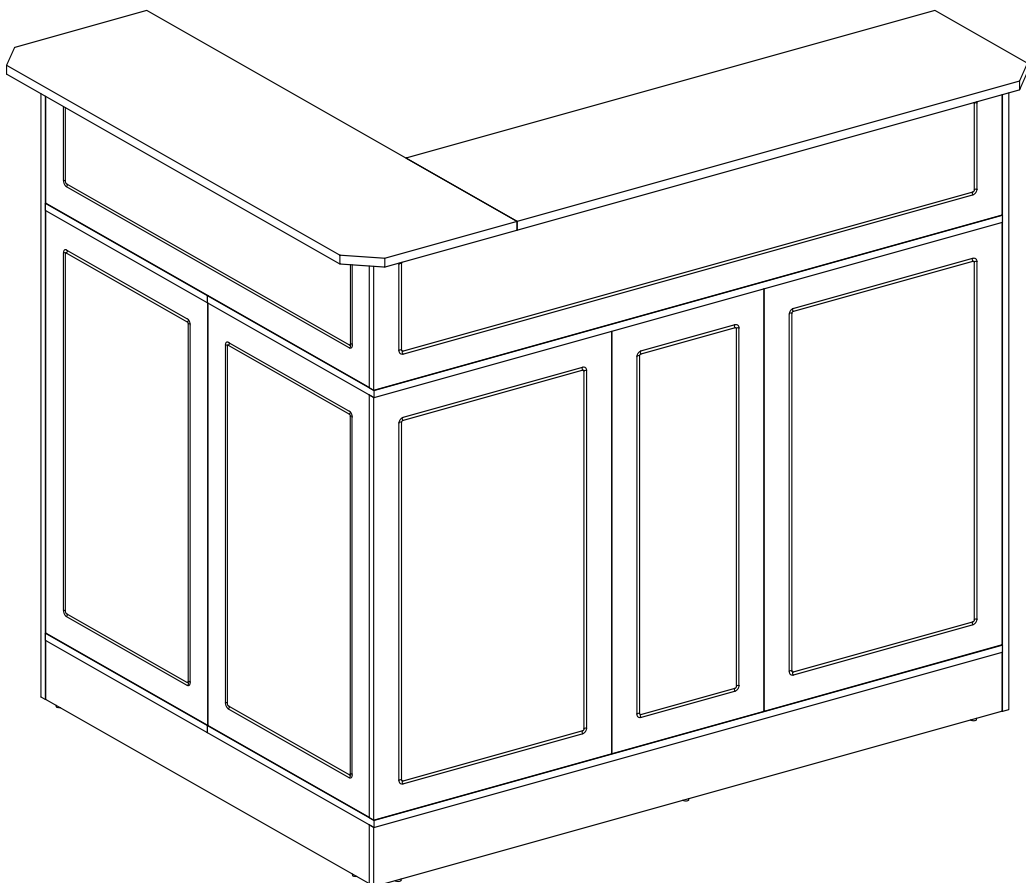
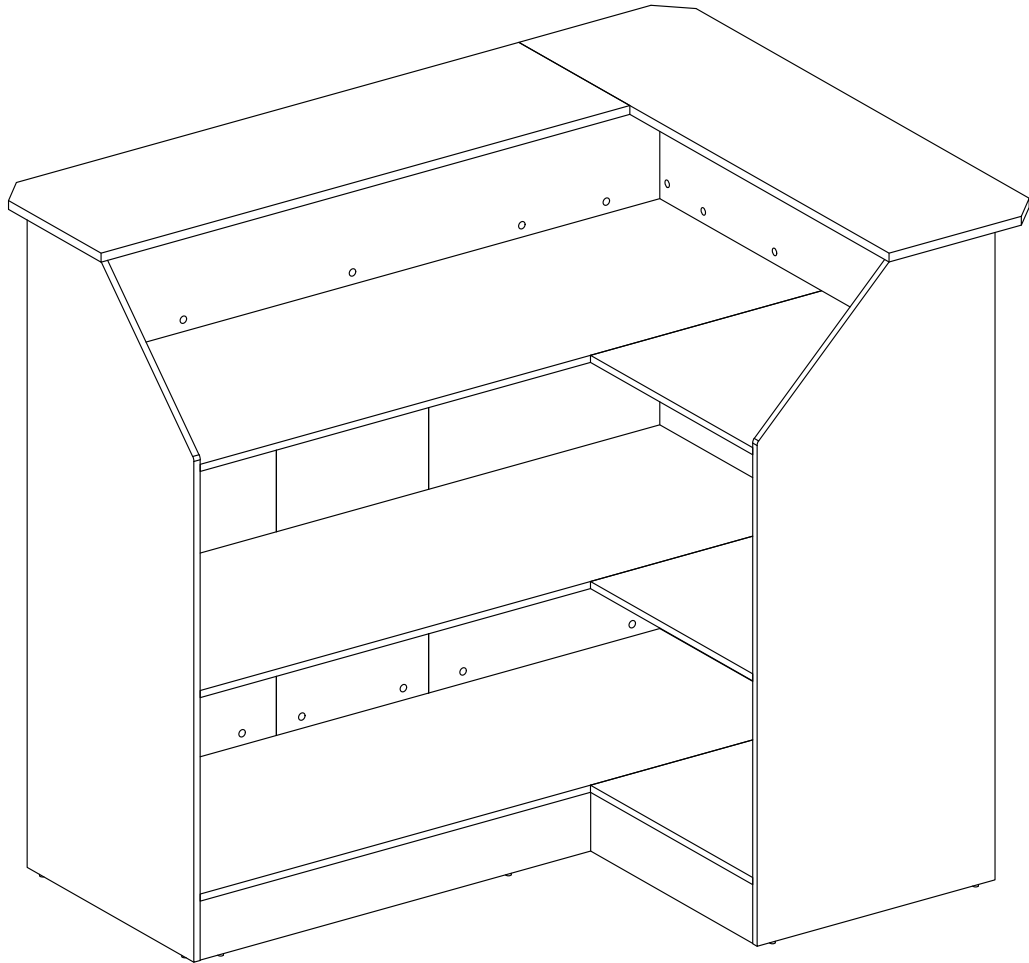
**40**



G

Ø20mm 84 pcs



41



**Thank you for your support!**

