

Size	Stainless Steel (30"/36")	Chimney Extension	Filter (replacement)	NON-DUCTED FILTERS
30 /36in	WR004C30/WR004C36	WRHCE02	MSH913 for 30" MSH1013 for 36"	WRHF005S2

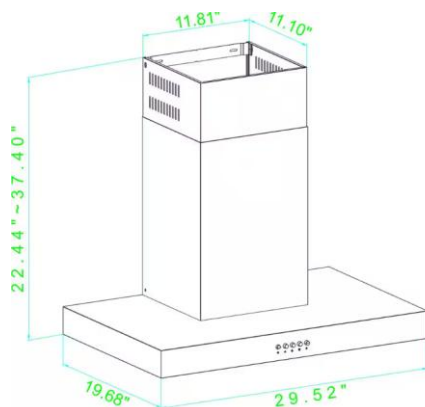
Specifications

Description	30"/36" 400 CFM Max Velocity Convertible Wall Mount Range Hood
Mount Type	Wall Mount
Size	29.5"/35.5" W x 19.7" D x 37.4" H
Ceiling Height	7.5-8.5 feet
Duct Dimension	6" round
Product Weight	26/29 Lbs.
Exhaust Method	Convertible
Exhaust Location	Top
Power Source	Plug in
Voltage	110
Amperage	1.5 A
Residential Use Only	Yes
Certification	ETL (compatible w/UL and CSA)
Filter	Mesh Filters
No. of Fan Speeds	3
Speed Control Type	Push Button
Max. Sound Level	5.5 Sone
No. of Lights	2 LED
Bulb Wattage	2 W
CFM	400 (Max Velocity) 300 (Lab Test)
Compatible Ductless Filter	WRHF005S2
Installation Hdwe. Incl.	Yes
Flexible Duct Included	Yes

Warranty

2-Year Limited on parts

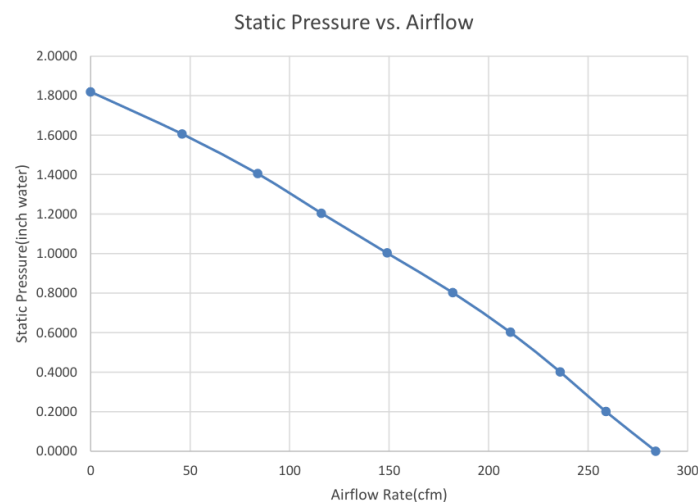
30" drawing



Scene Display



Plot of Static Pressure vs. Airflow



* Max velocity CFM of blower measure in open air environment*



TEL: 630-401-8050
E-Mail: support@winslyn.com

ADD:1850 East Fabyan Parkway Batavia, IL 60510

Website: <https://www.winslyn.com>
Company: Winslyn Industries