

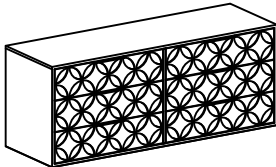
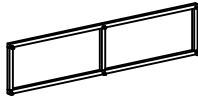





## CARE AND MAINTENANCE

Wipe clean with a soft, dry cloth. The seat board can be cleaned with a mild cleaner. Test the cleaning method on a hidden area before using them over the entire area.

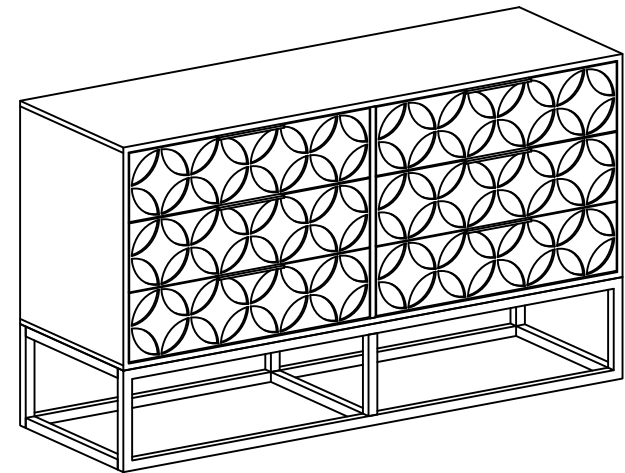
## NOTICE

- \* Please make sure that you have all parts indicated before you begin assembly of this item.
- \* This item should be assembled on a soft surface to prevent scratching the finished product during assembly.
- \* This item may require periodic tightening.
- \* Do not tighten bolts until completely assembled.

## Part List and Hardware List

PIECE	DESCRIPTION	PICTURE	QUANTITY
A	DRAWER		1 X
B	METAL FRAME		2 X
C	METAL CROSS BAR		5 X
HW1	HEX SOCKET BOLT 1/4" - 20 x 1-3/4"		8 X
HW2	HEX SOCKET BOLT 1/4" - 20 x 5/8"		20 X
HW3	ALLEN KEY 4mm		1 X
HW4	Anti-Tip Hardware		2 X

Product Dimensions: 56"W\*18"D\*32"H



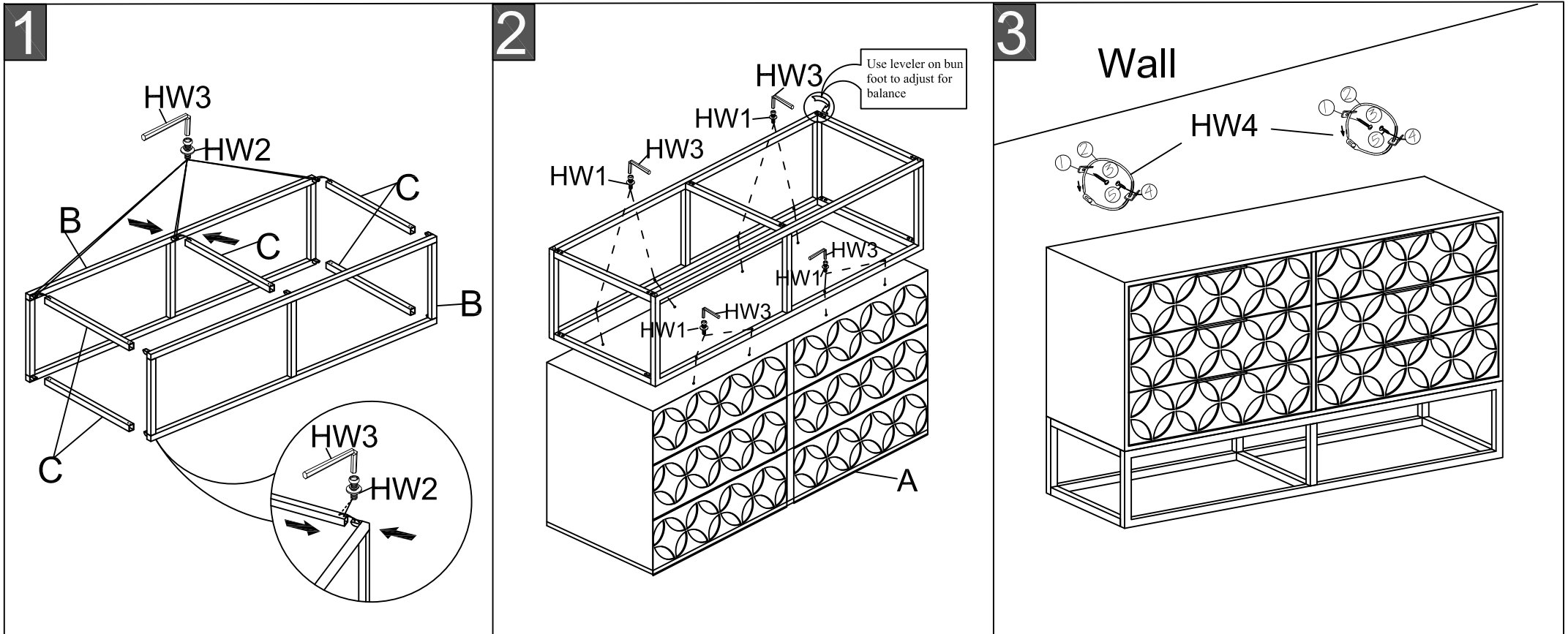
Weight Capacity : 200 lbs  
 Warning : Do not stand on the product  
 Warning : Do not over torque bolts

## PREPARATION

Before beginning assembly of product, make sure all parts are present. Compare parts with package contents list and hardware contents list. If any part is missing or damaged, do not attempt to assemble the product.

Estimated Assembly Time:15 minutes.

Tools Required for Assembly (included): Allen Key.



Step 1:

Attach 2\* Metal Frame (B) with 5\* Metal cross bar (C), by using Allen key (HW3) to lock with 20\* Hex Socket Bolts (HW2).

Step 2:

Attach assembled metal base in the corresponding position on the underneath of drawer (A) by using Allen key (HW3) to lock with 8\* Hex Socket Bolts (HW1).

Step 3:

Straighten up the assembled dresser. Following the installation instructions of anti-tipping (HW4) to fix the dresser in the wall by 2 straps. Assembly is completed.