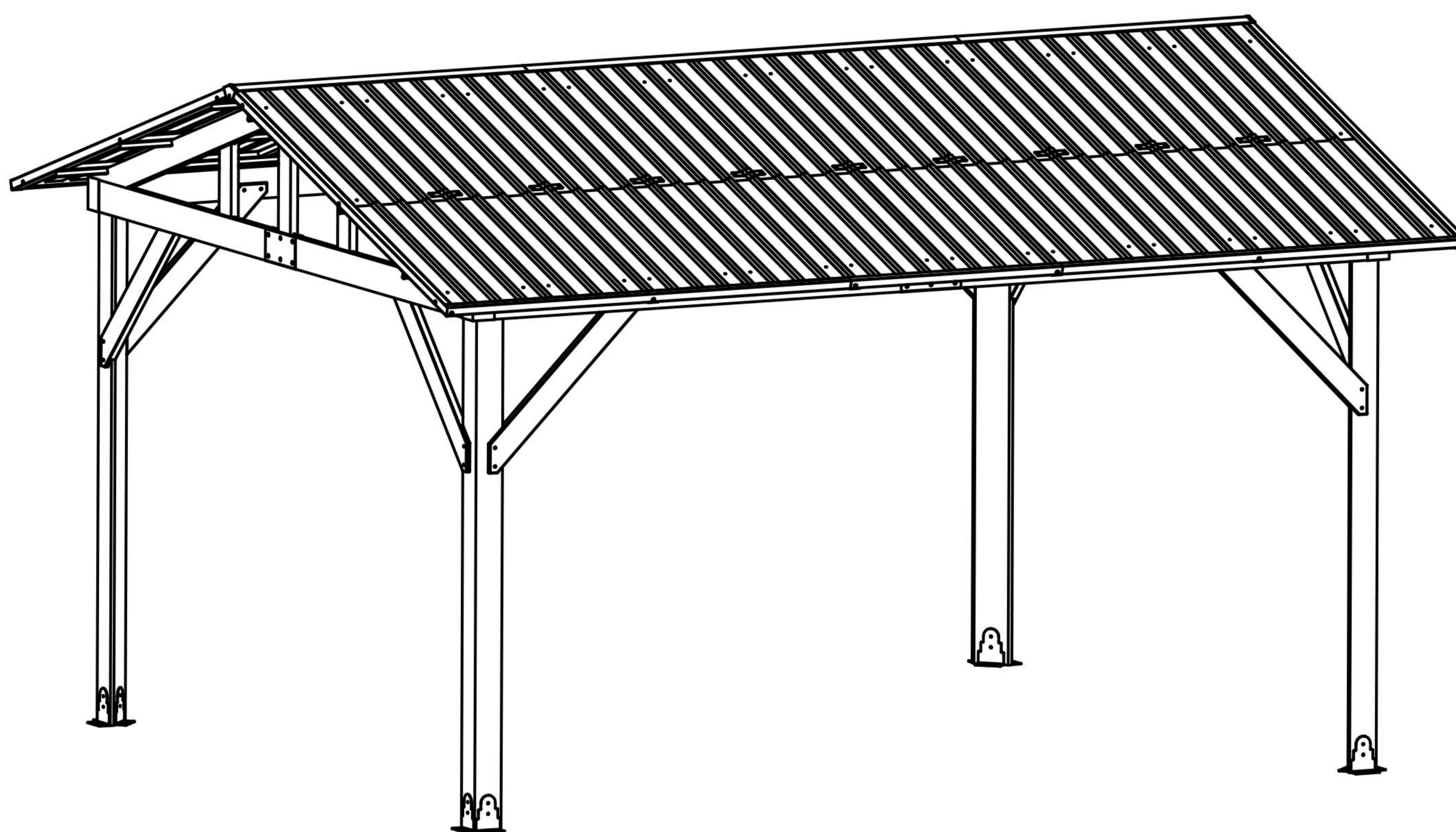


Metal Roof
Cedar Wooden Gazebo 12X14FT

SKU: C001G067V2-1
C001G067V2-2
C001G067V2-3
C001G067V2-4

ASSEMBLY INSTRUCTIONS



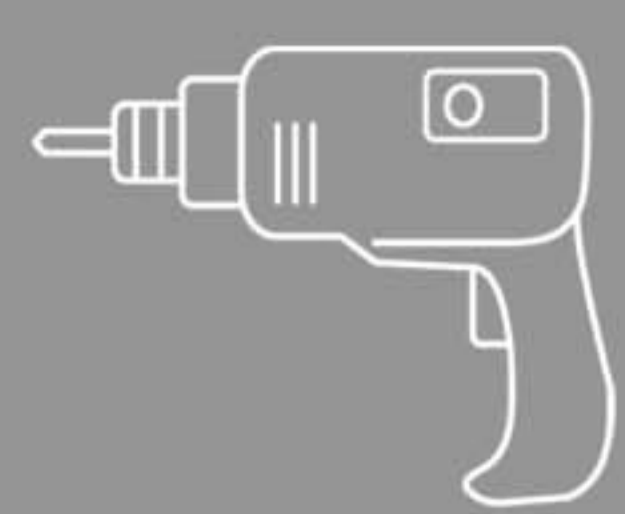
Please check the number of parts in the following accessory catalogue when unpacking. We have sent you more small parts for spare. If there is any missing or any questions about the installation. Please feel free to contact us. We will reply within 24 hours.



E-mail: cs.helper01@gmail.com

TOOLS RECOMMENDED

*NOTE: The recommended tools are not included in boxes and need to be prepared by yourself.



DRILL



RUBBER Mallet



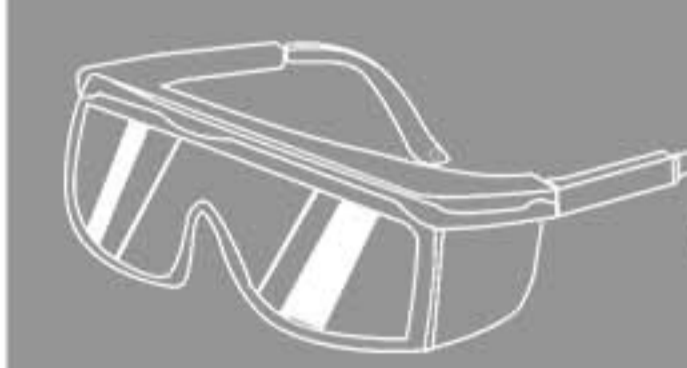
STEPLADDER
(6.5Ft Or More)



SAFETY HAT



GLOVES



SAFETY GOGGLES

ATTENTIONS



Since it is easy to lose many small accessories during the installation, please collect all the screw accessories before the assembly is completed



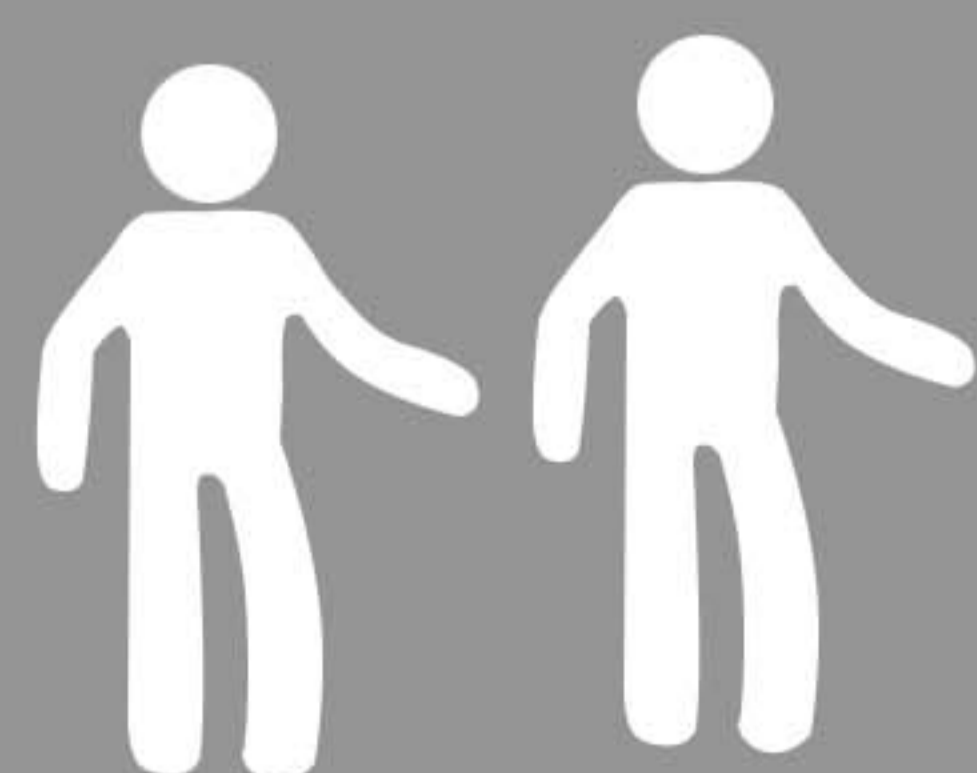
To better align the screws for practical situations, do not fully tighten screws initially



Please reinforced the Gazebo and do not use in heavy winds or inclement weather



Make sure all screws are tightened before use and check all screws, buckles and straps every 90 days

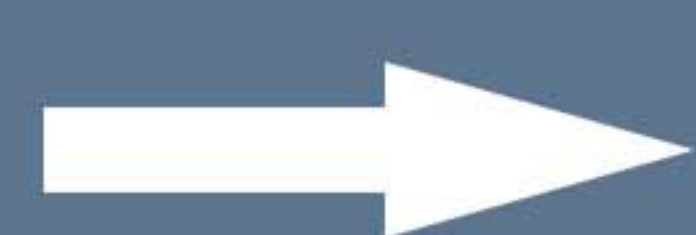


Two or more people are required for assembly



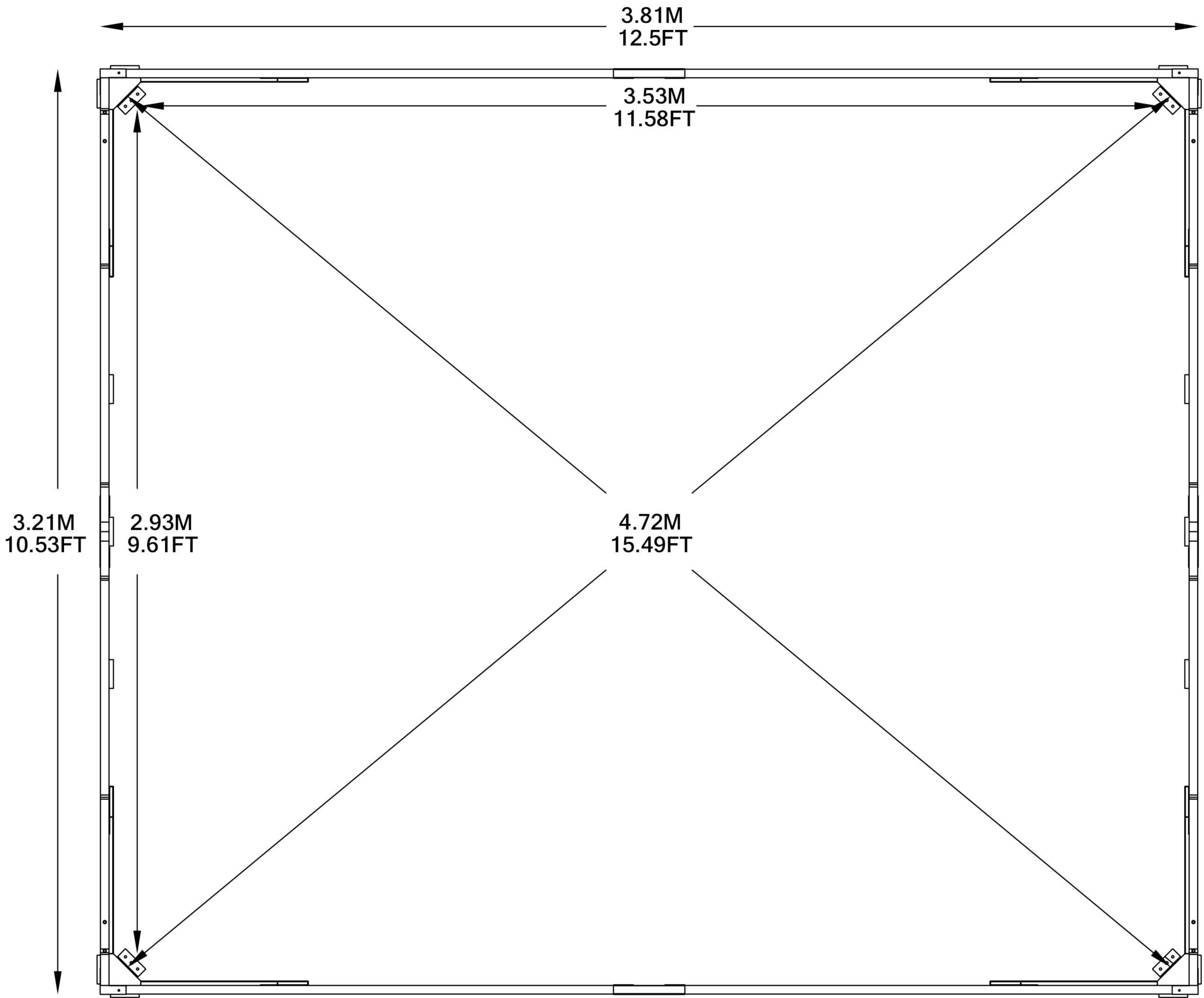
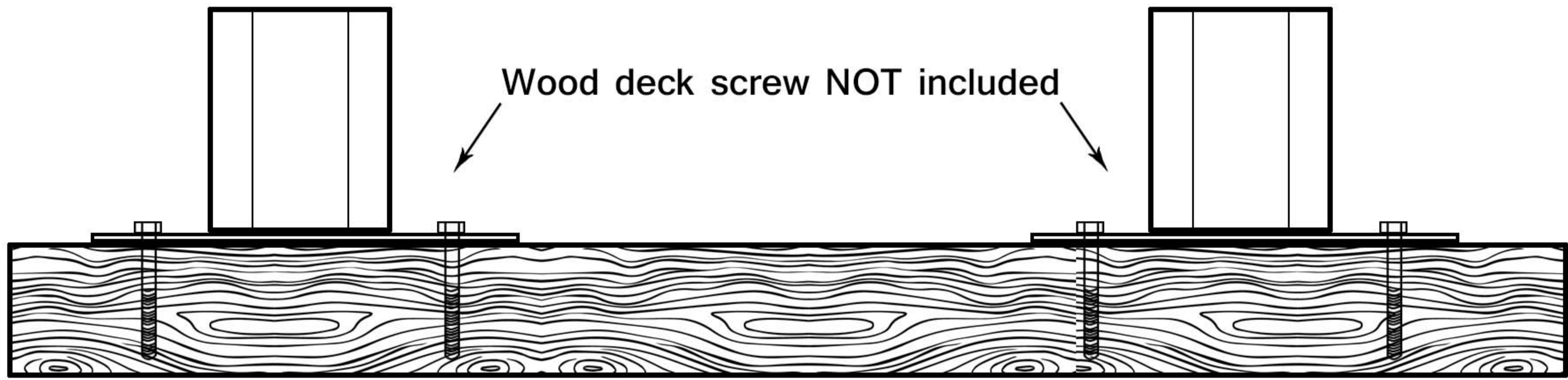
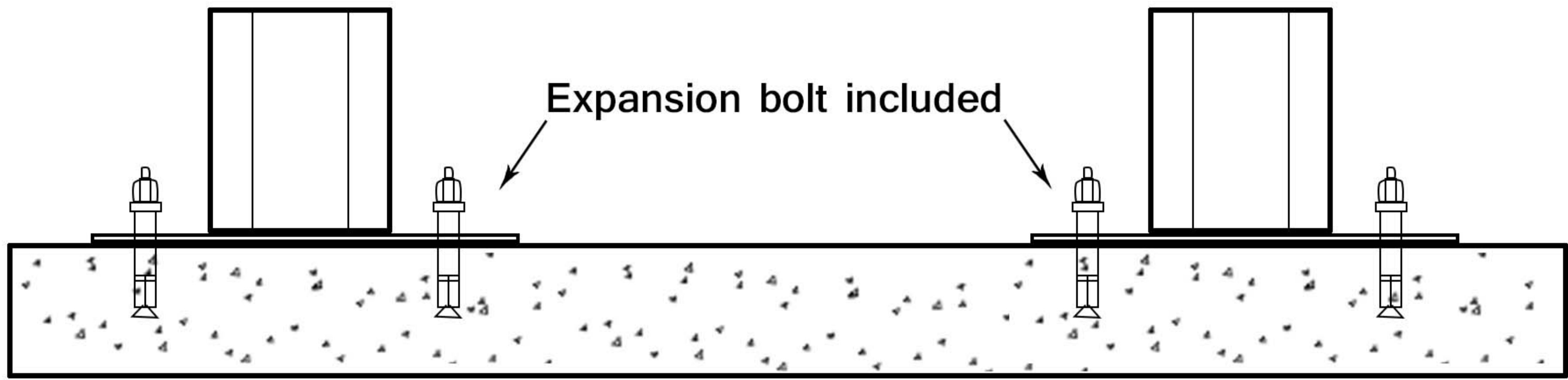
Please clear the snow off the roof in time for the heavy snowfall and do not use it

Please take care of the screws and contact the after-sales service if there is any problem with the installation or parts.



Permanent Installation Examples

Our supporting expansion screws can only be used for cement floors, customers need to bring their own special screws if they are used for wood floors



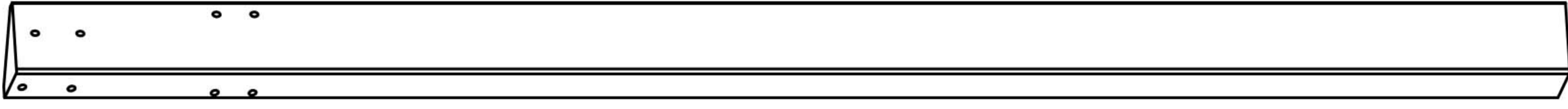
Please take care of the screws and contact the after-sales service if there is any problem with the installation or parts.

➔ ✉ E-mail: cs.helper01@gmail.com

ACCESSORY CATALOGUE

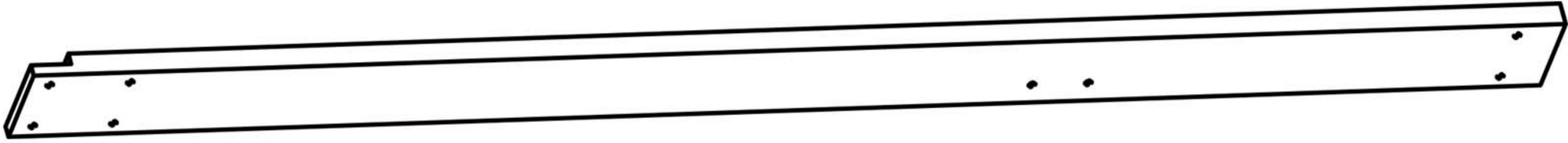
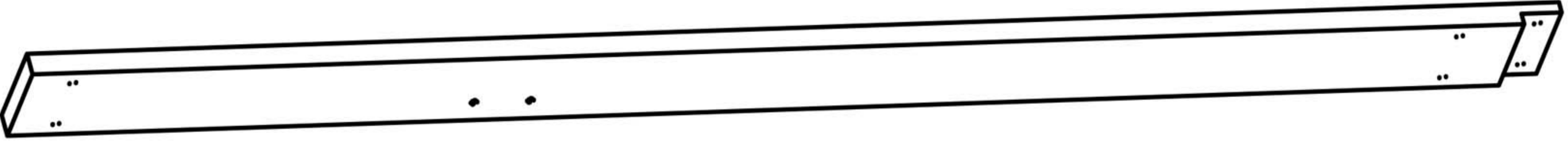
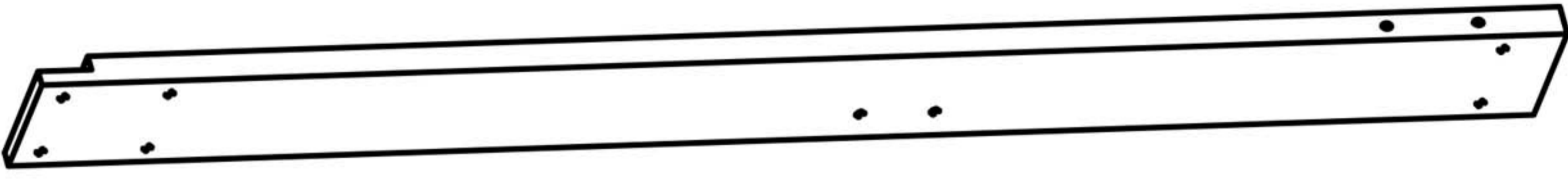


BOX 1

SKU: C001G067V2-1

Item no.	Reference Image	Qty.
A		4

BOX 2

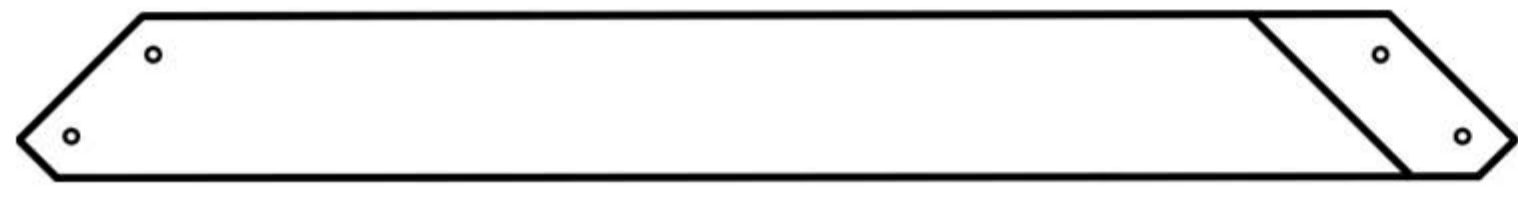

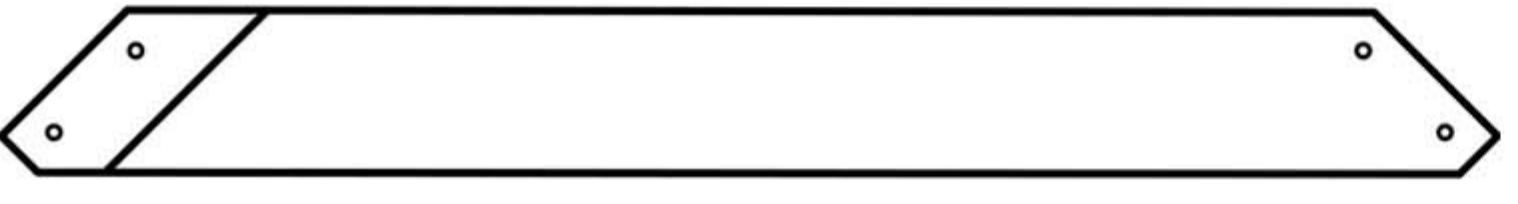
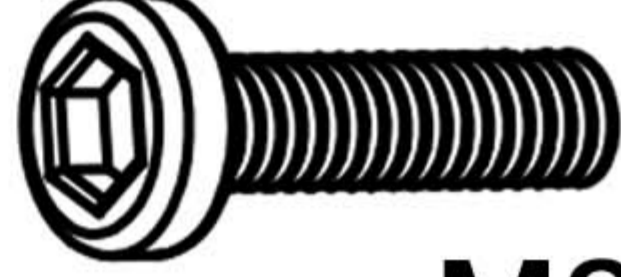

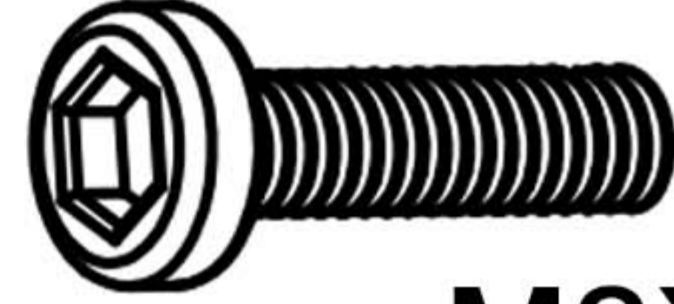
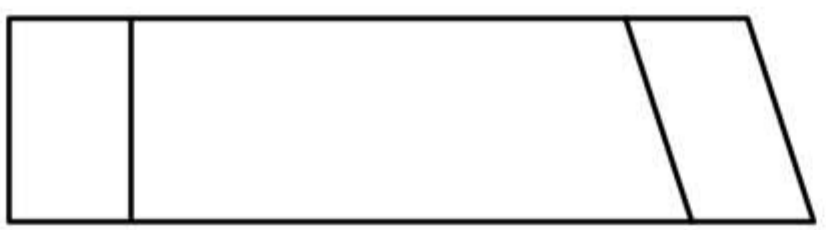

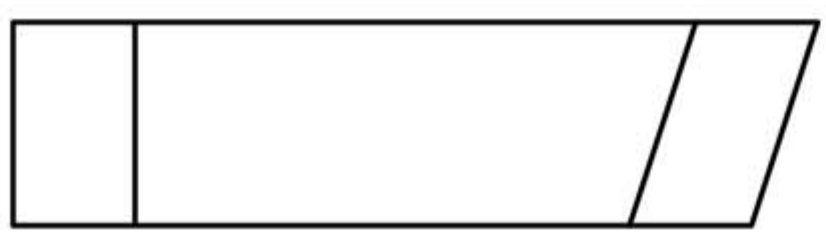

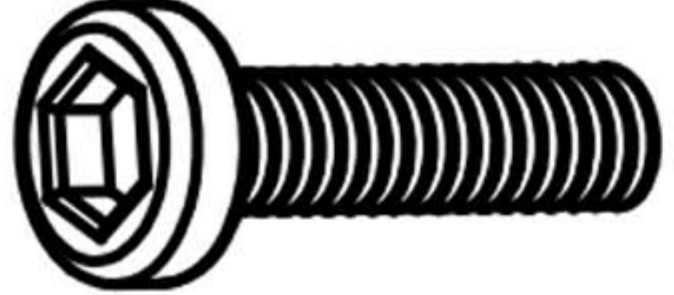
SKU: C001G067V2-2

Item no.	Reference Image	Qty.
B		2
B1		2
C		2
C1		2
E		4

Please take care of the screws and contact the after-sales service if there is any problem with the installation or parts.

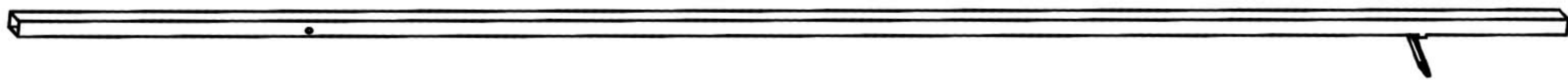
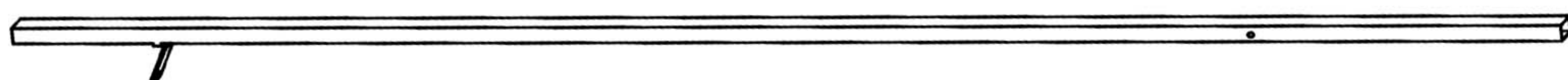


ACCESSORY CATALOGUE

Item no.	Reference Image	Qty.	Item no.	Reference Image	Qty.
F		4	X1	 M8X20mm	24
F1		4	X2	 M8X35mm	32
R		2	X3	 M8X95mm	4
R1		2	X4	 M4X30mm	32
R2		2	1		1
X	 M8X45mm	20			

BOX 3

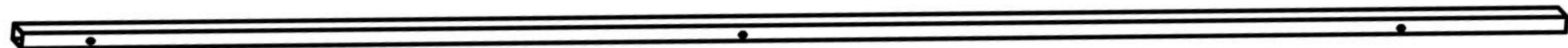
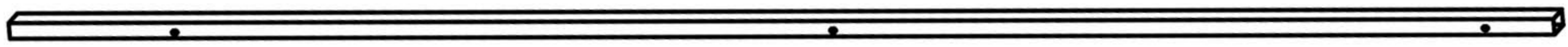

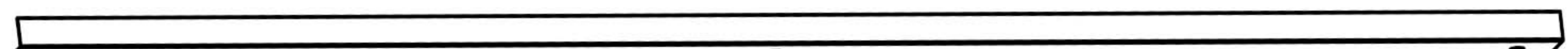
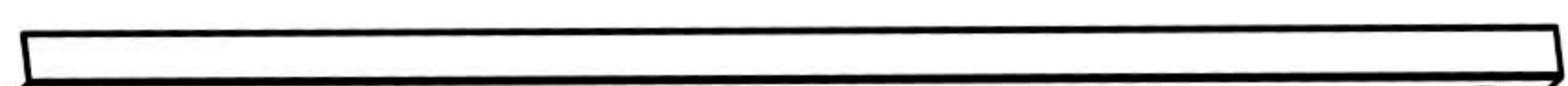
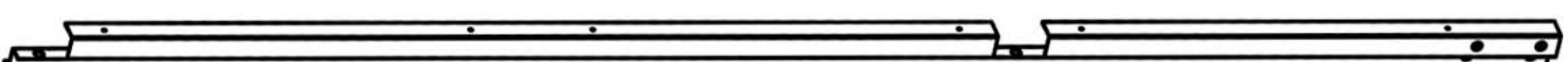
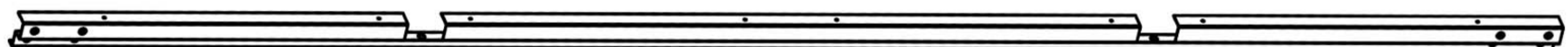
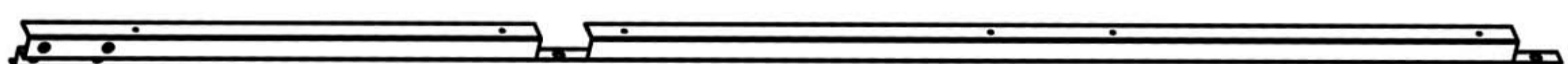

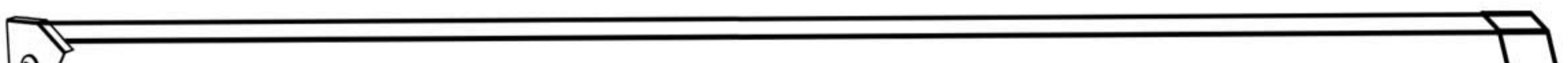
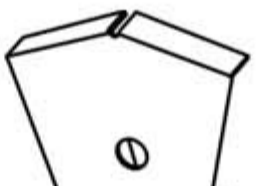
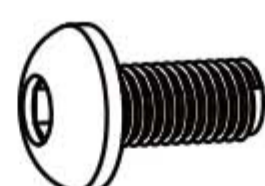
SKU: C001G067V2-3

Item no.	Reference Image	Qty.
D		4
D1		4

Please take care of the screws and contact the after-sales service if there is any problem with the installation or parts.

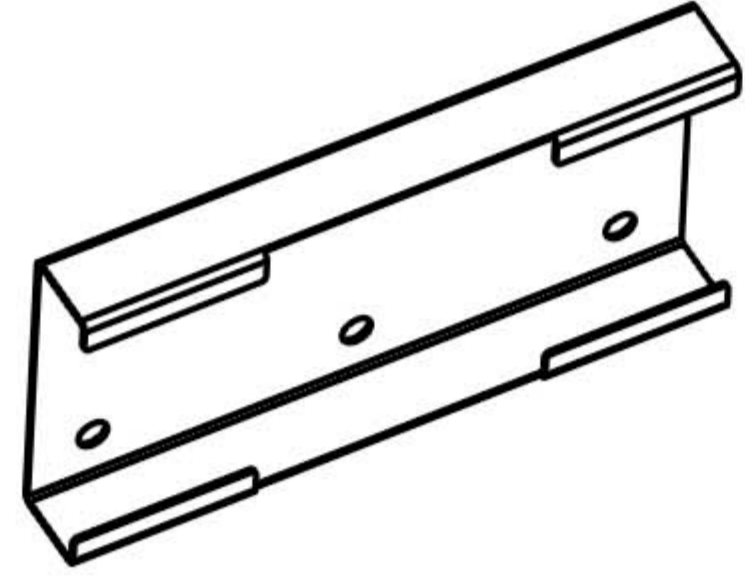
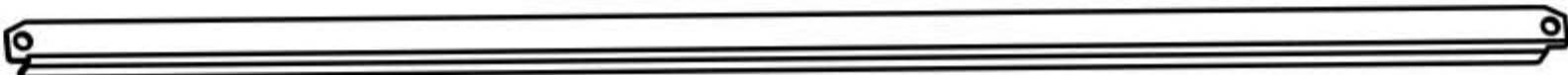
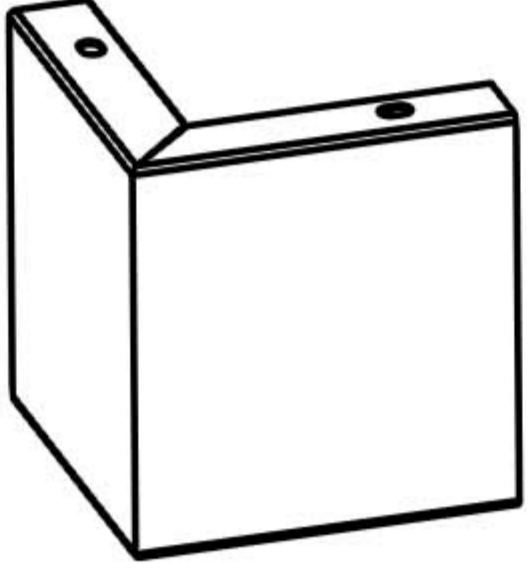

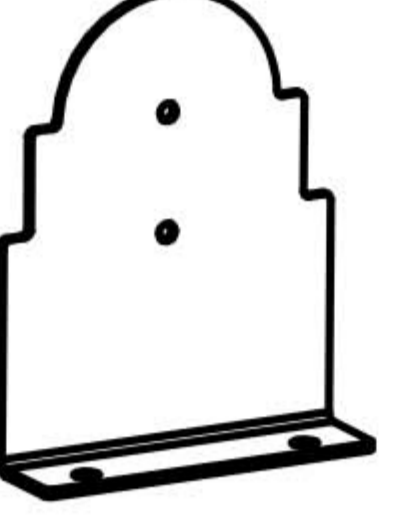
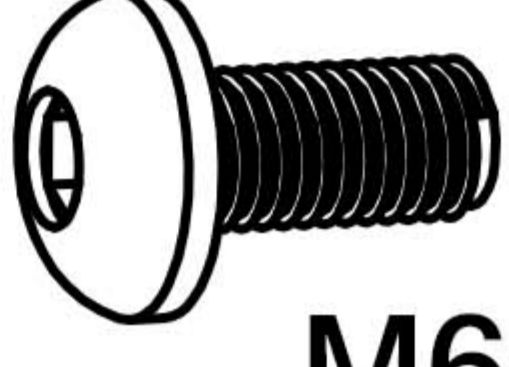
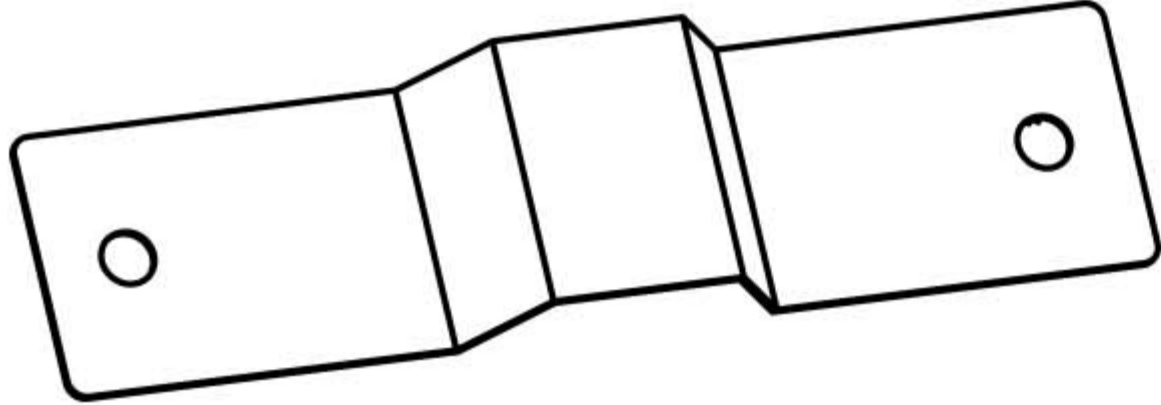
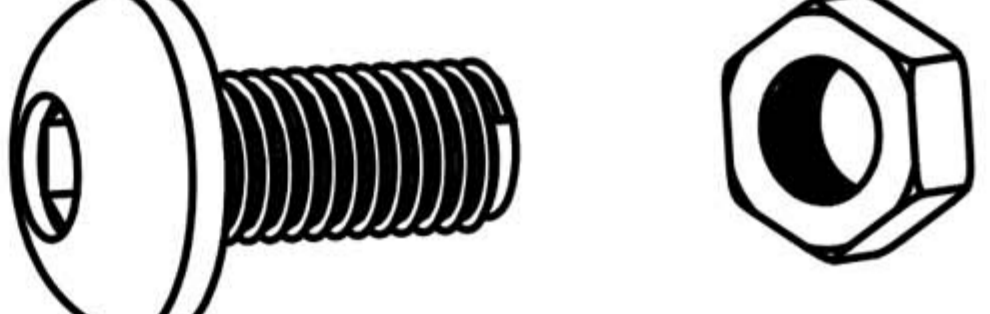
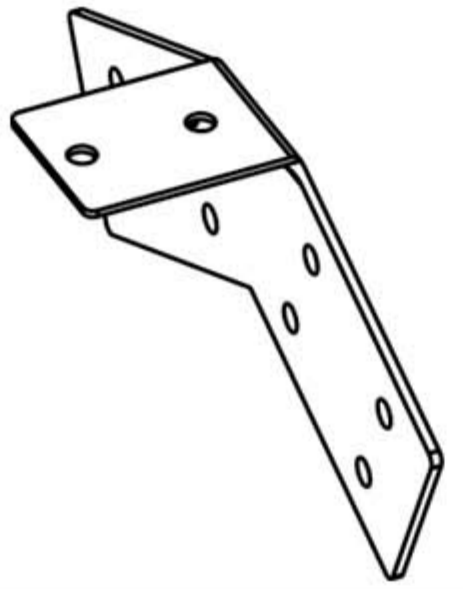
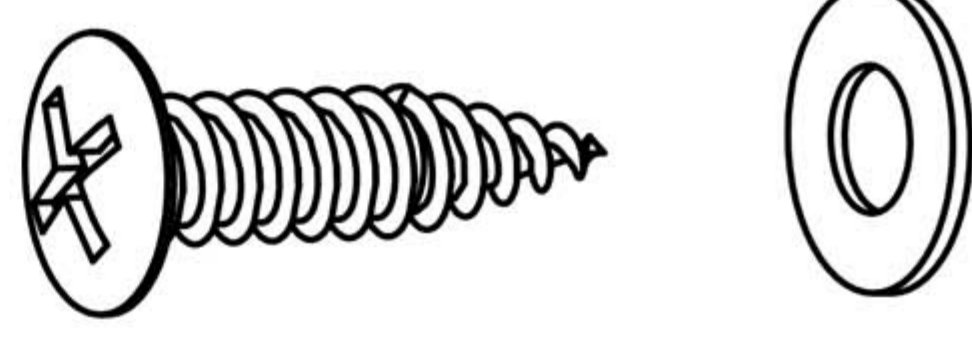
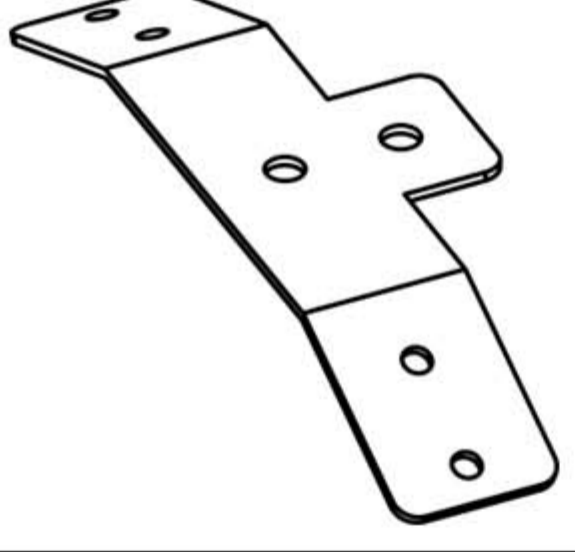
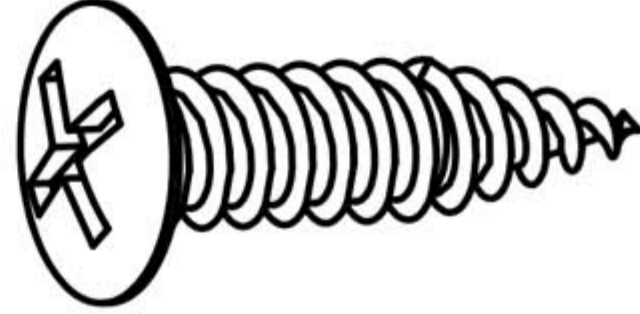

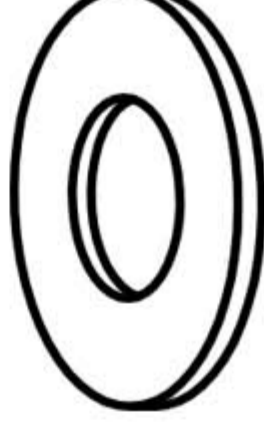
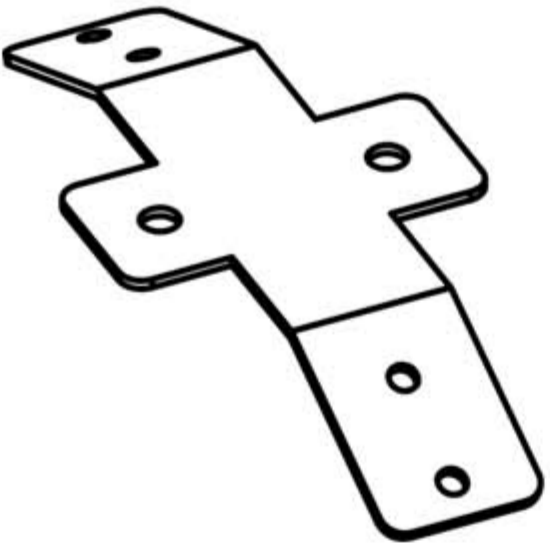


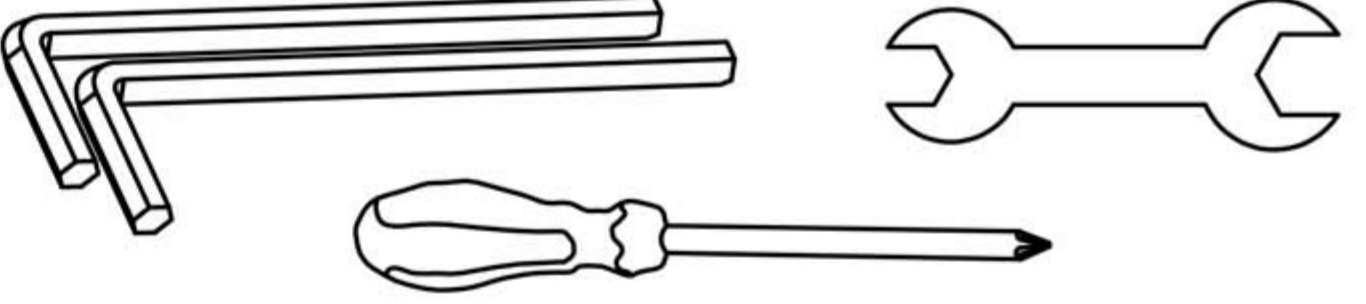
➔ ✉ E-mail: cs.helper01@gmail.com

ACCESSORY CATALOGUE

Item no.	Reference Image	Qty.
D2		2
D3		2
G		4
G1		4
G2		2
H		6
H1		6
H2		6
K		1
K1	  M2 X2  X6 X2 M6X15mm	2

Please take care of the screws and contact the after-sales service if there is any problem with the installation or parts.

ACCESSORY CATALOGUE

Item no.	Reference Image	Qty.	Item no.	Reference Image	Qty.
T		4	I		4
J1		4	X5	 M4X20mm	60
L		12	X6	 M6X15mm	116
M1		18	X7	 M6X15mm	48
M3		2	X8	 M4X20mm	8
M4		2	X9	 M4X10mm	120
M6		2	Y		120
M7		4	2		8
P		2	3		1


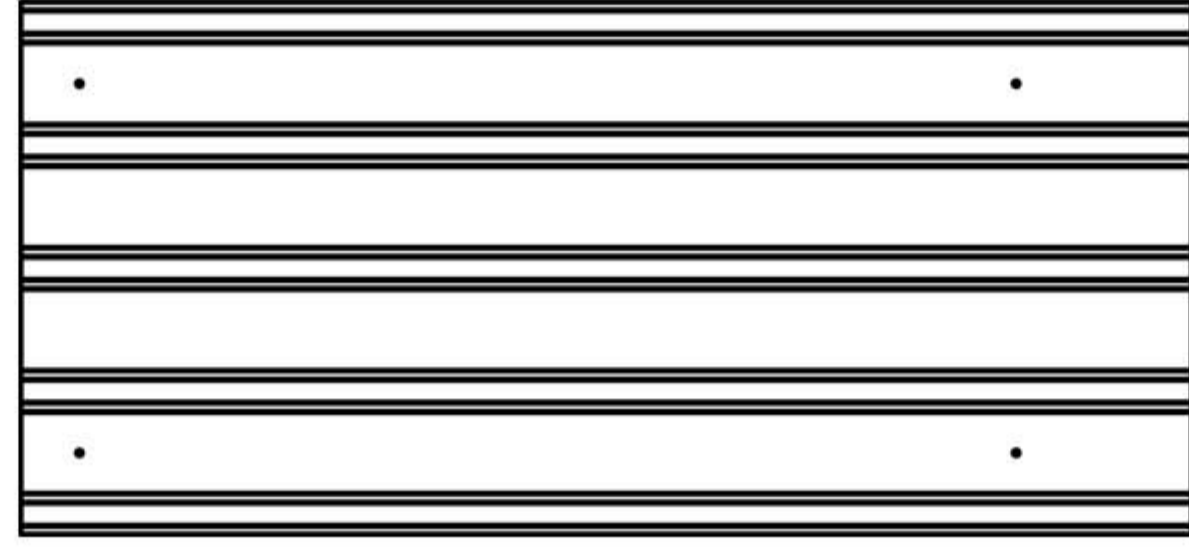

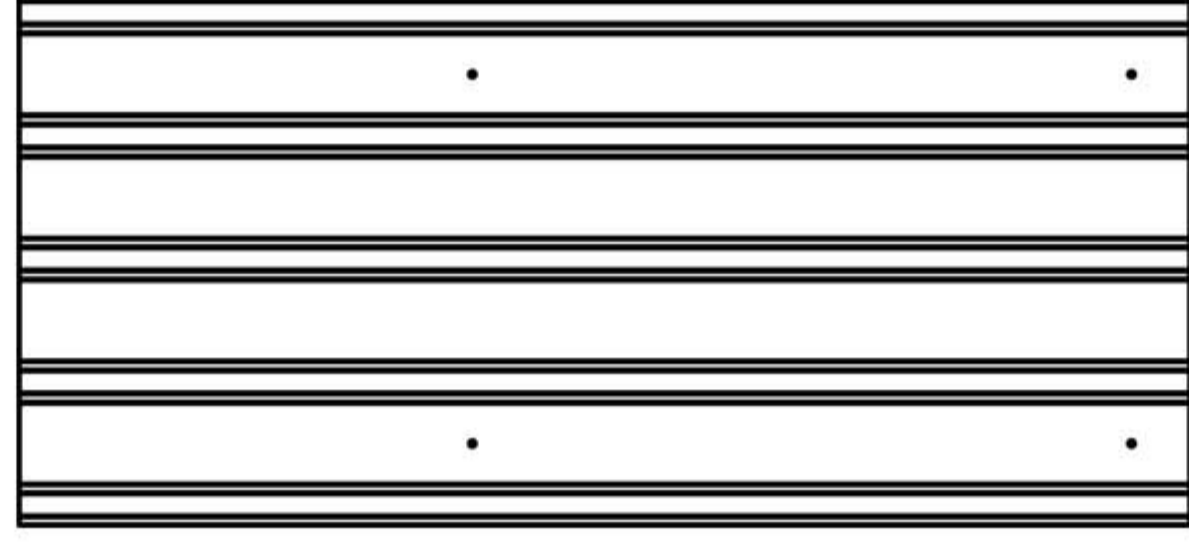
Please take care of the screws and contact the after-sales service if there is any problem with the installation or parts.

➔ ✉ E-mail: cs.helper01@gmail.com

ACCESSORY CATALOGUE

BOX 4

SKU: C001G067V2-4

Item no.	Reference Image	Qty.
		20
		20

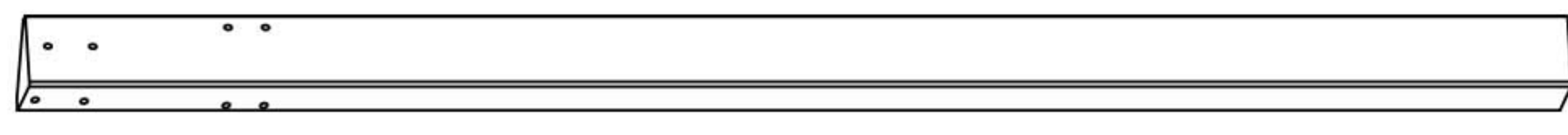
Please take care of the screws and contact the after-sales service if there is any problem with the installation or parts.



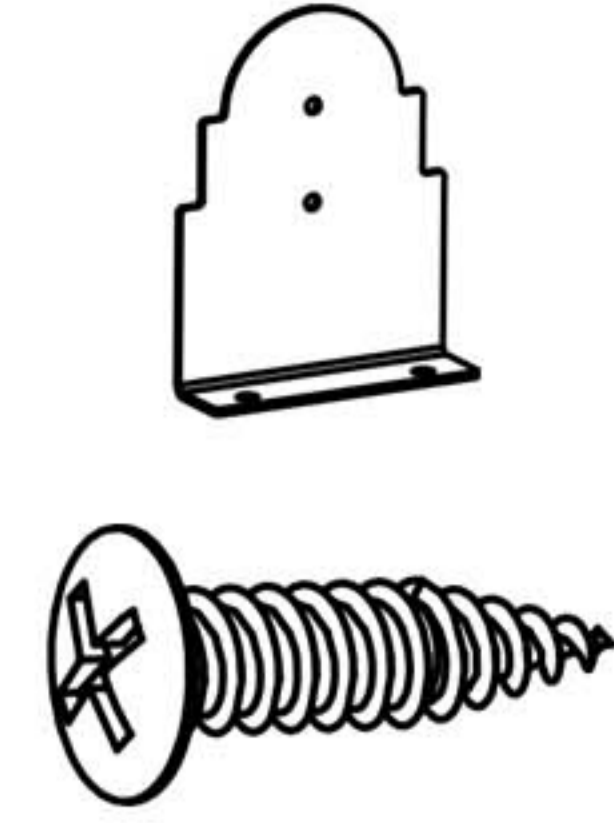
E-mail: cs.helper01@gmail.com

STEP 1

Parts required



A 4pcs

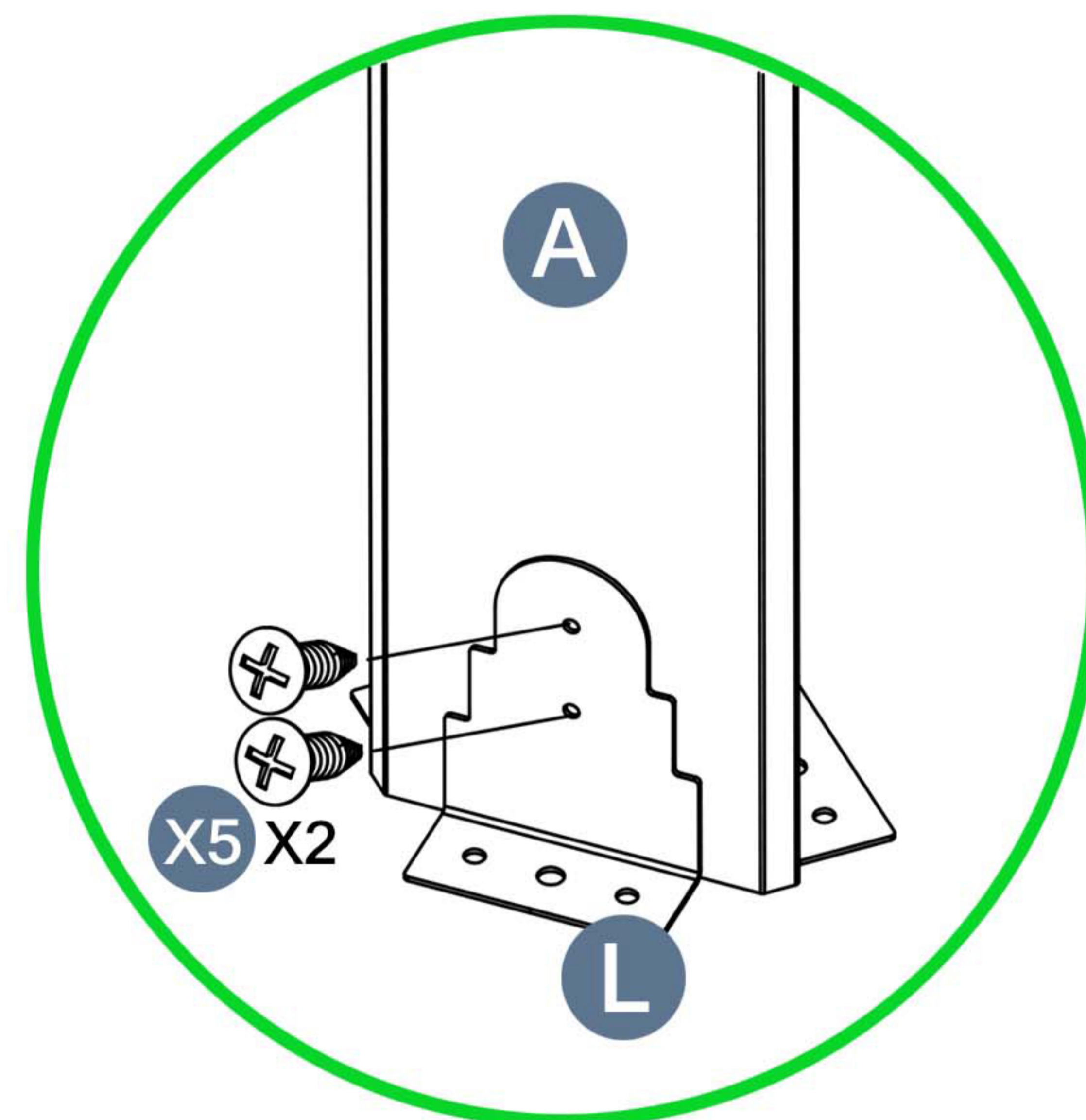
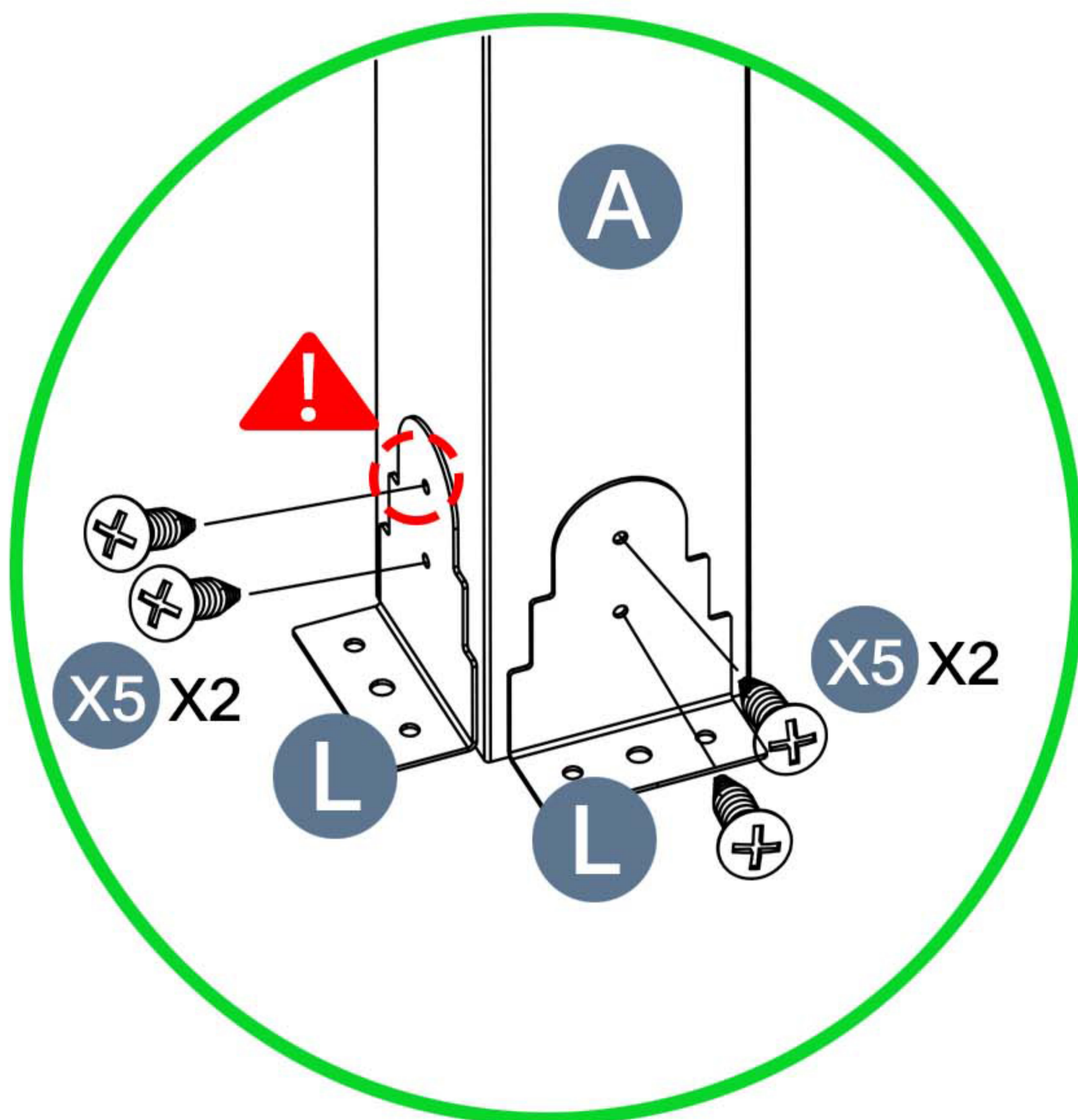
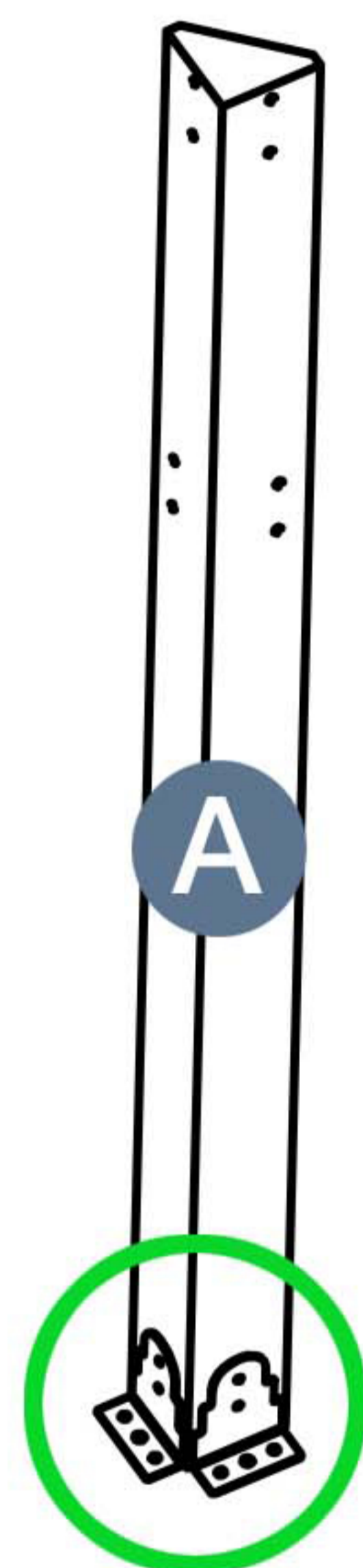
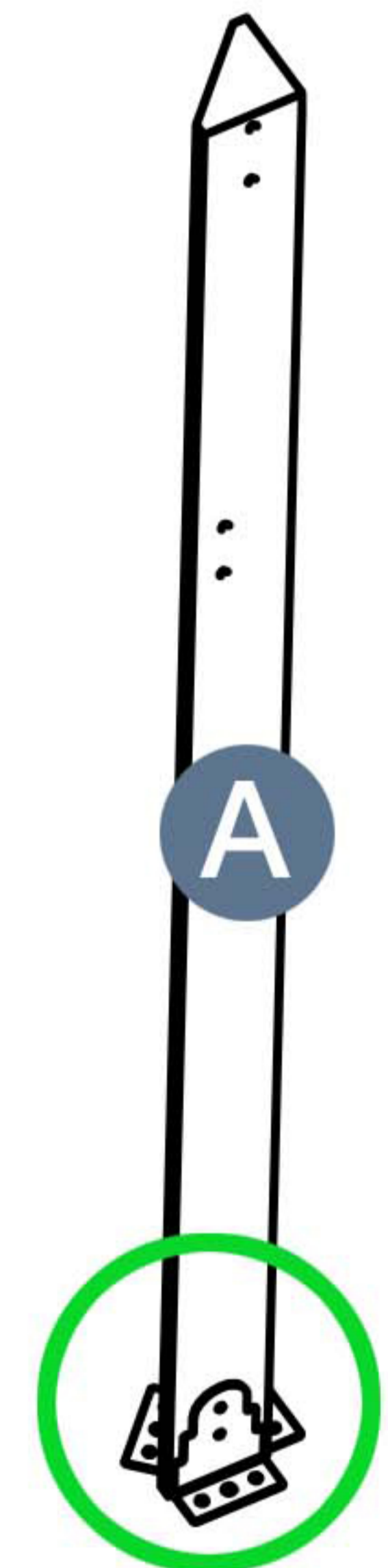
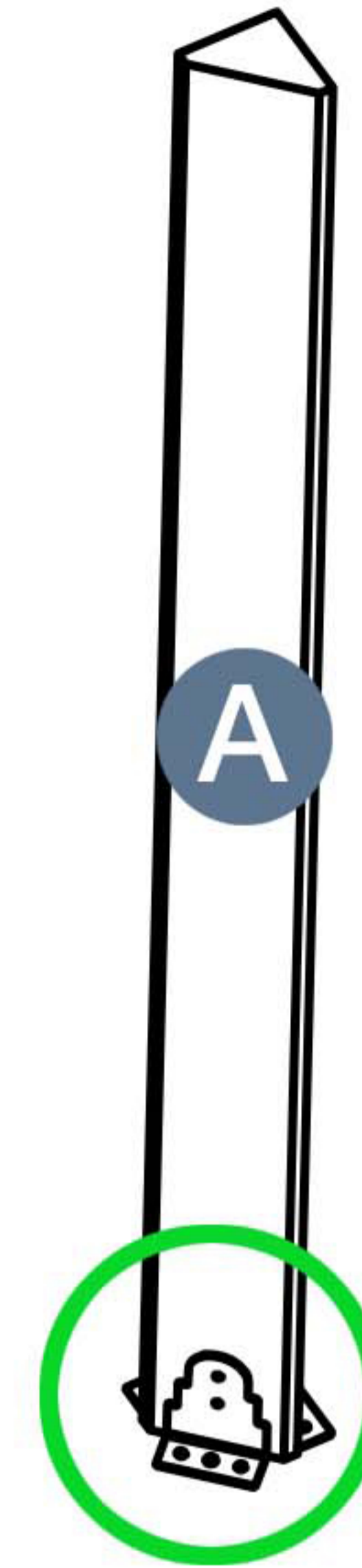
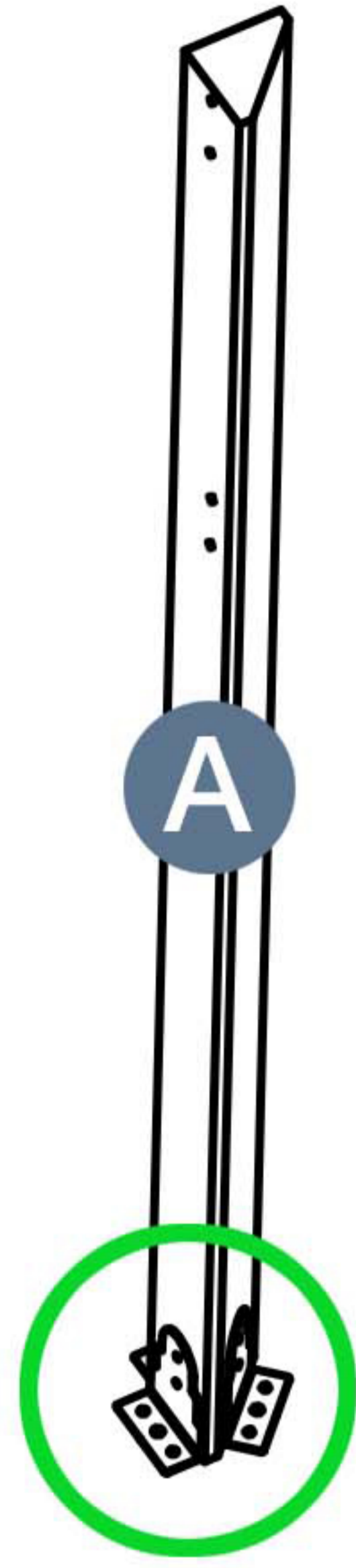


L 12pcs

X5 24pcs



Please Note that the X5 circled in red is a self-tapping nail without hole, it can be directly tightened.



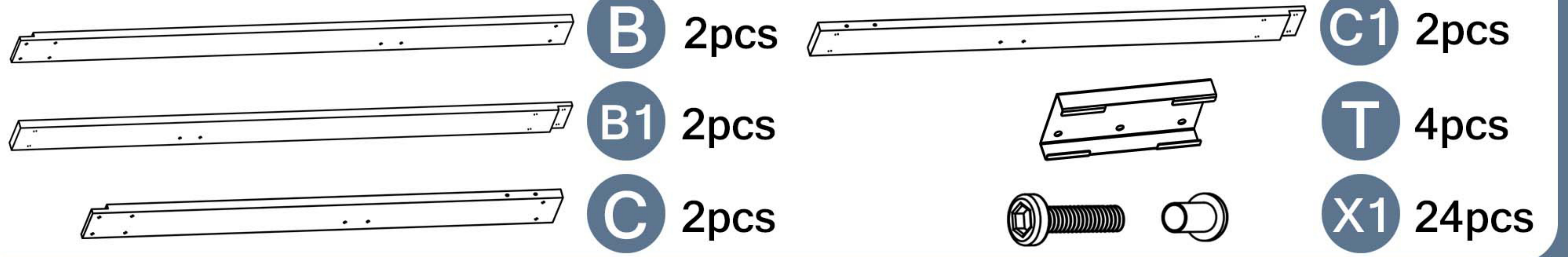
Please take care of the screws and contact the after-sales service if there is any problem with the installation or parts.





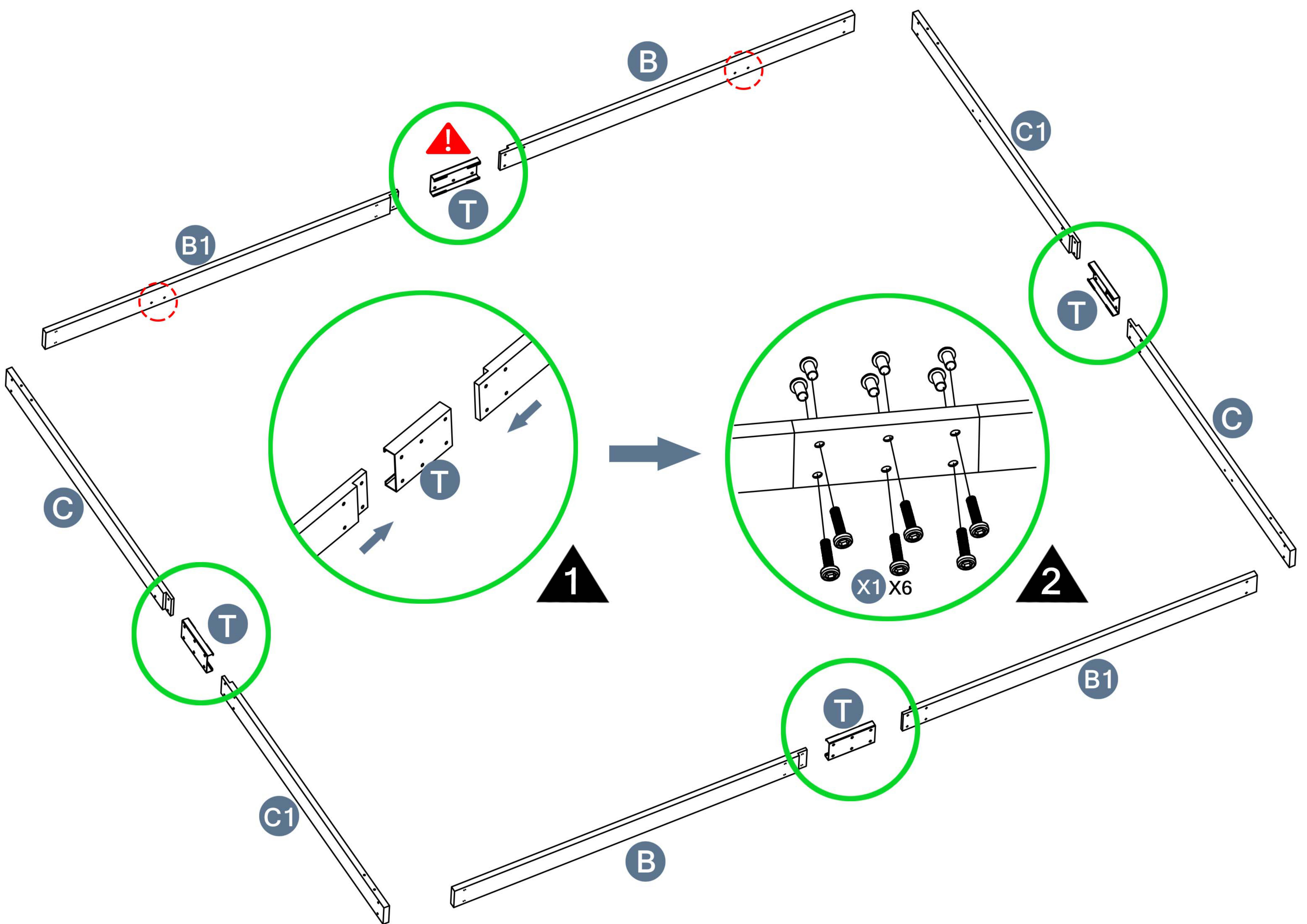
E-mail: cs.helper01@gmail.com

STEP 2

Parts required



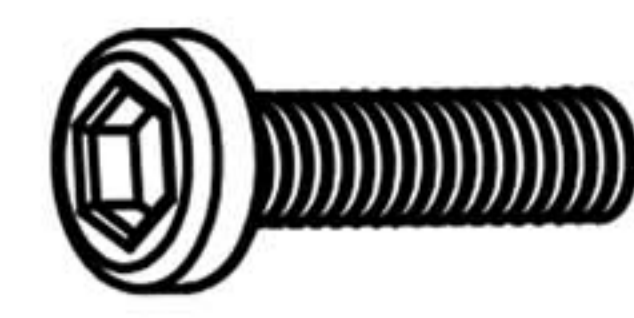
  Pay attention to the direction of the hole and T.



Please take care of the screws and contact the after-sales service if there is any problem with the installation or parts.

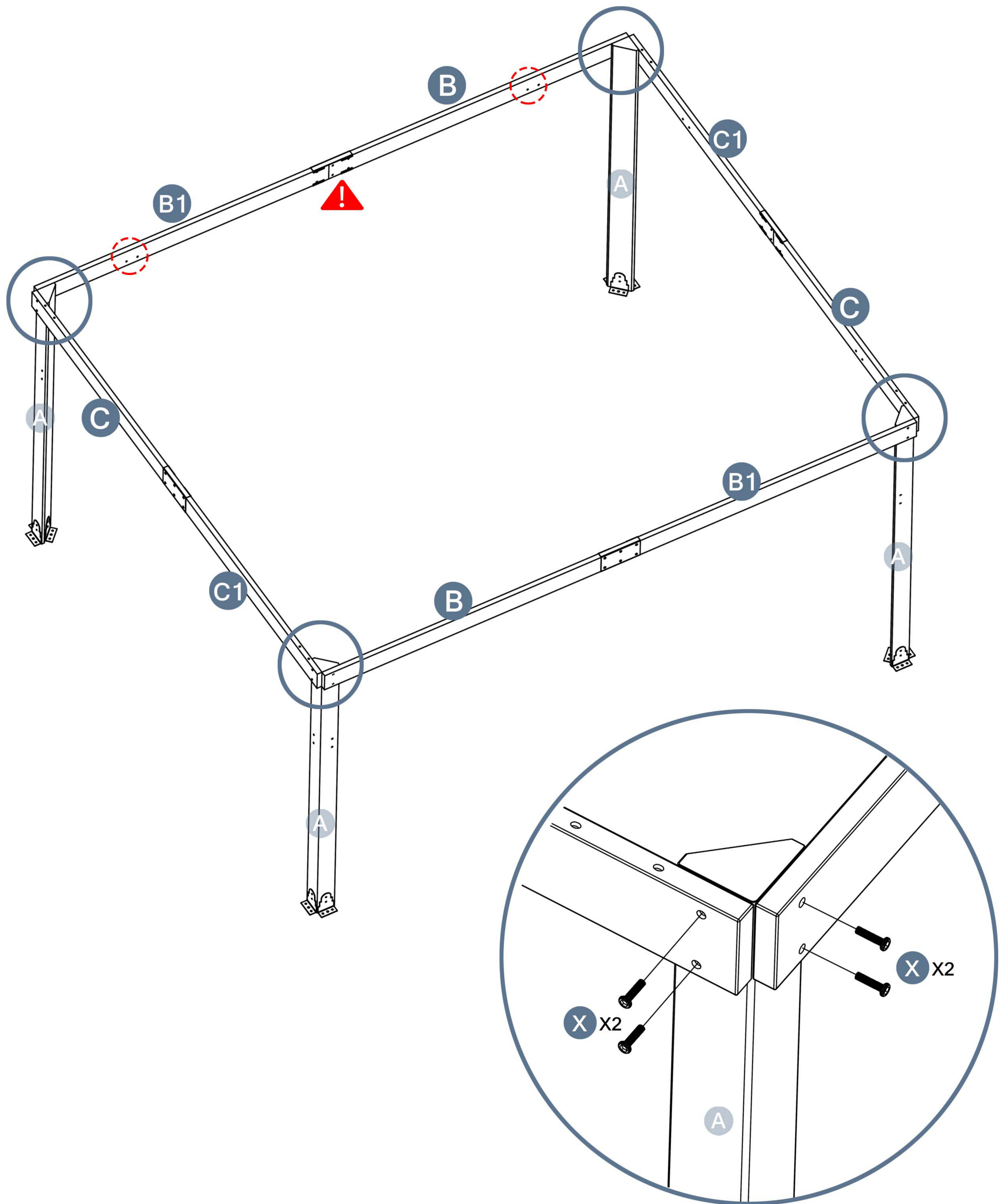
STEP 3

Parts required

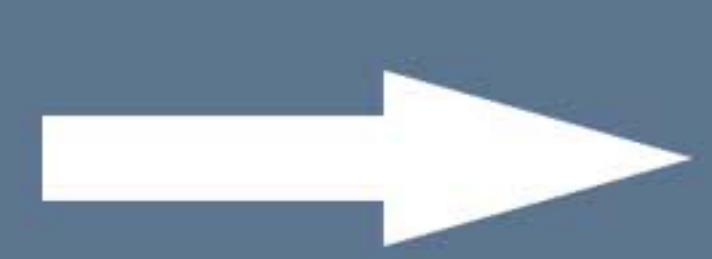


X 16pcs

  When installing, please check again whether the crossbeam is installed incorrectly.



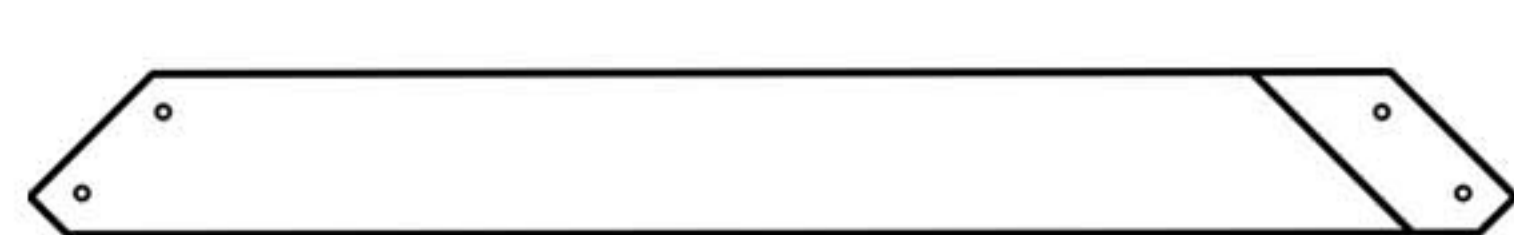
Please take care of the screws and contact the after-sales service if there is any problem with the installation or parts.



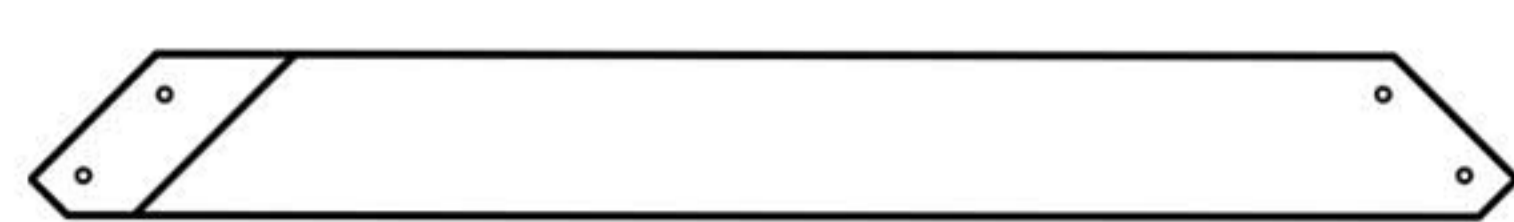
E-mail: cs.helper01@gmail.com

STEP 4

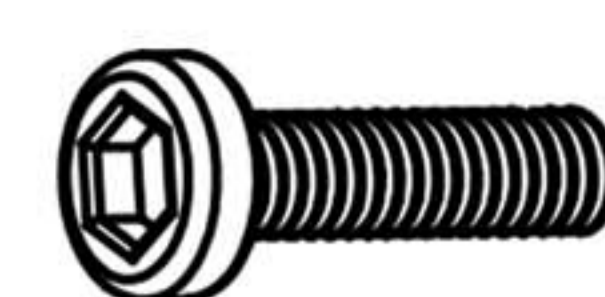
Parts required



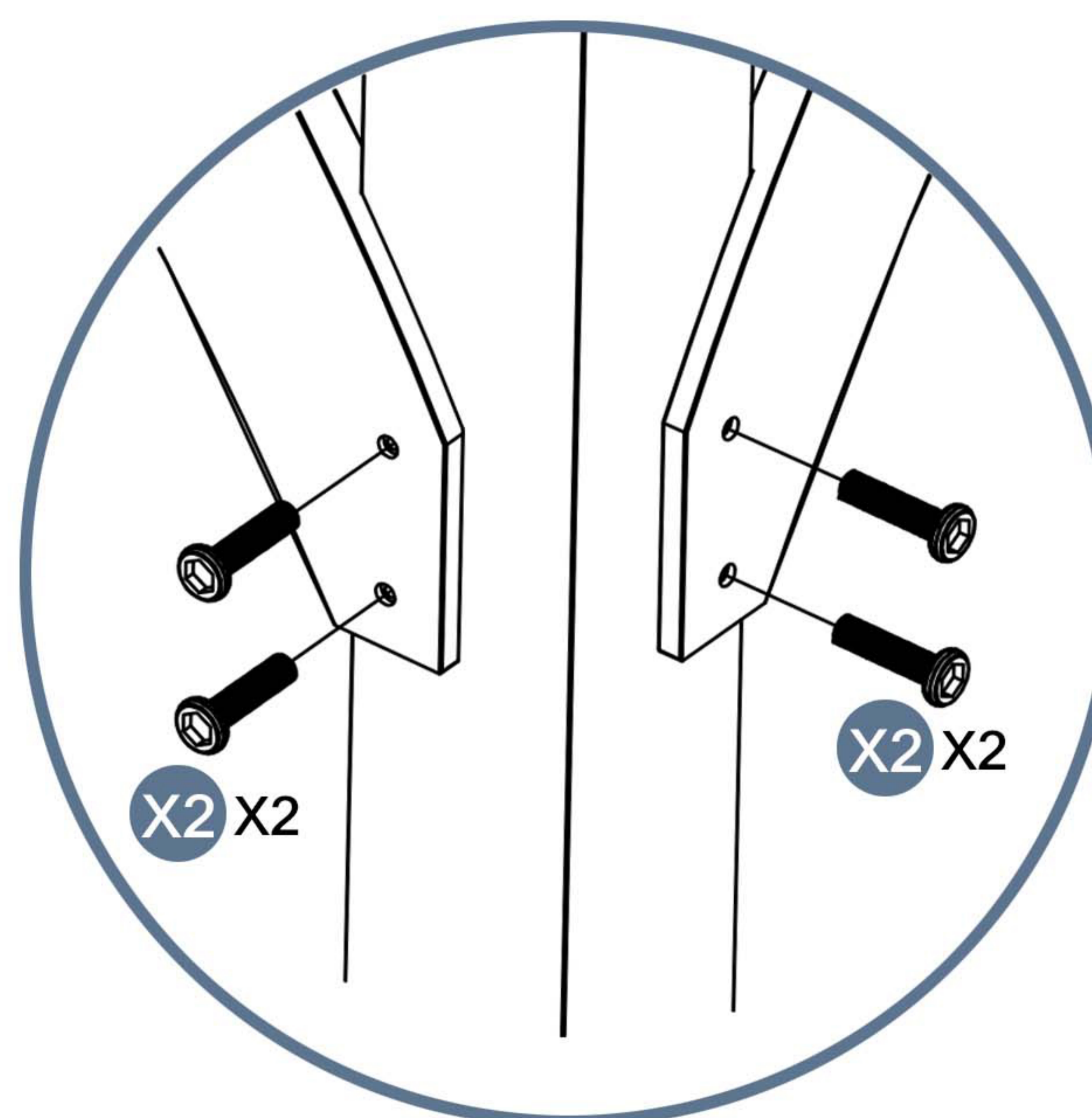
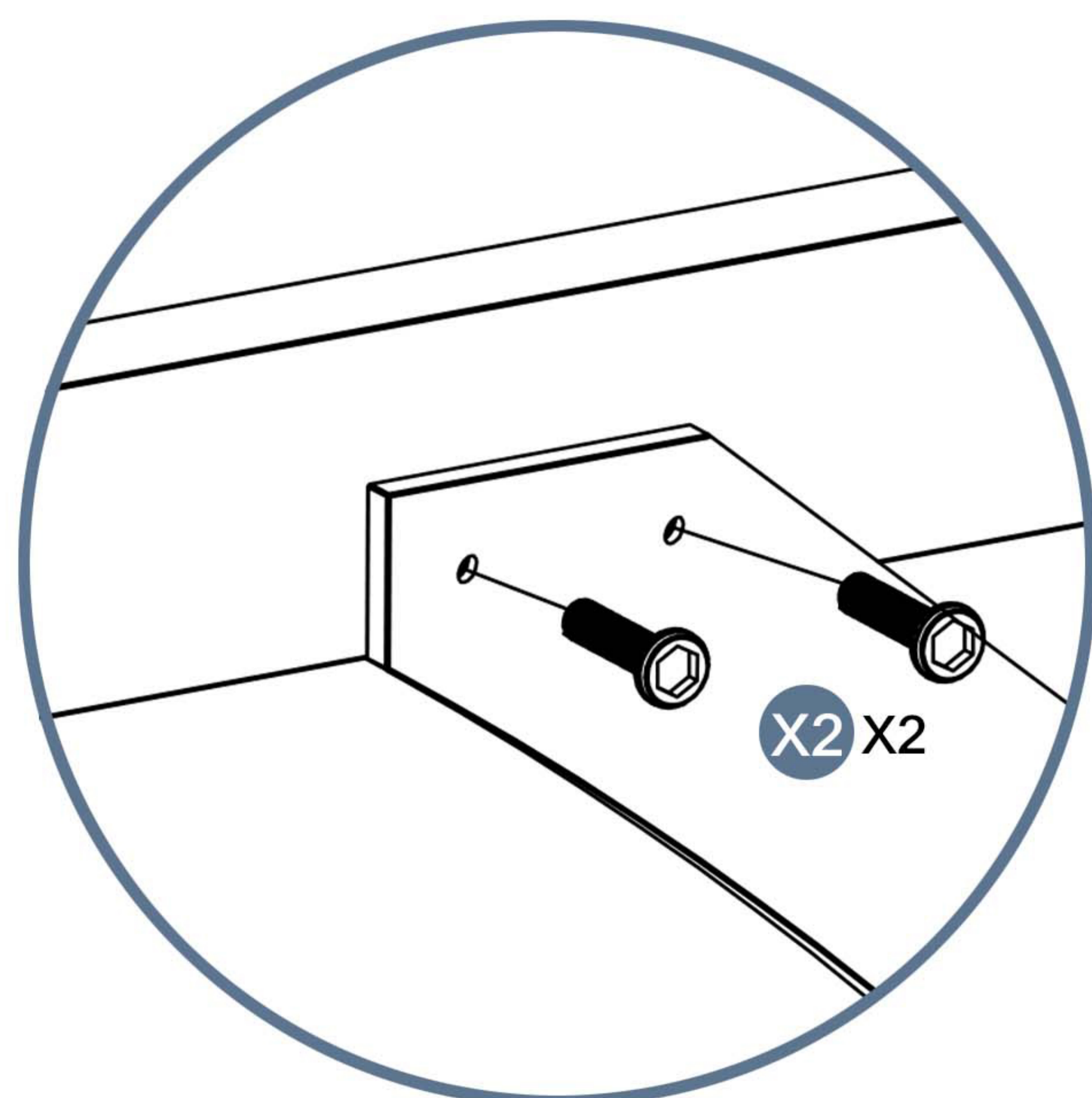
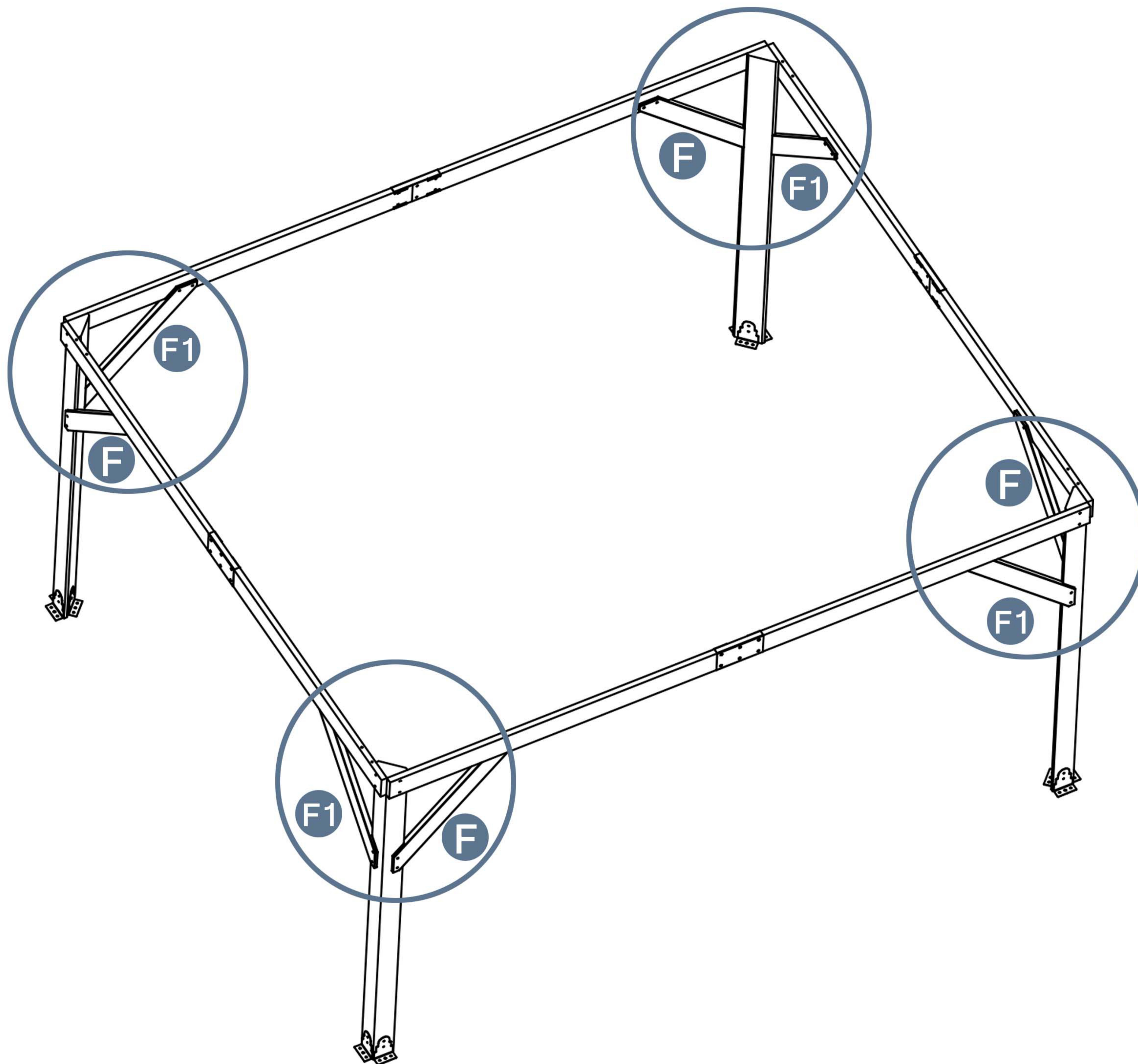
F 4pcs



F1 4pcs



X2 32pcs

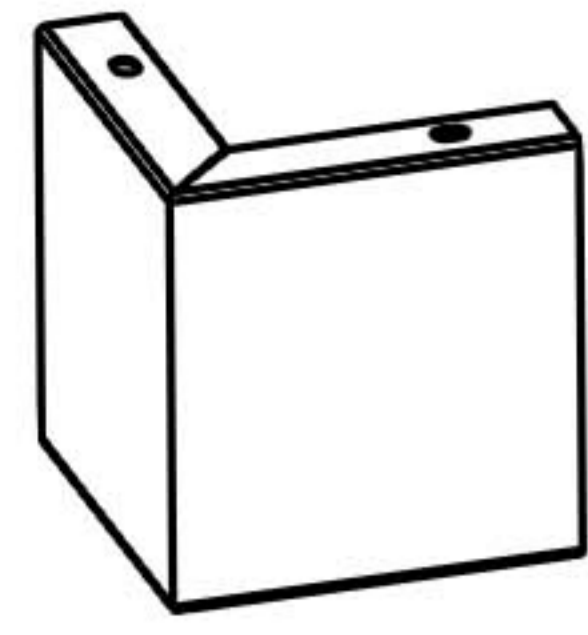


Please take care of the screws and contact the after-sales service if there is any problem with the installation or parts.

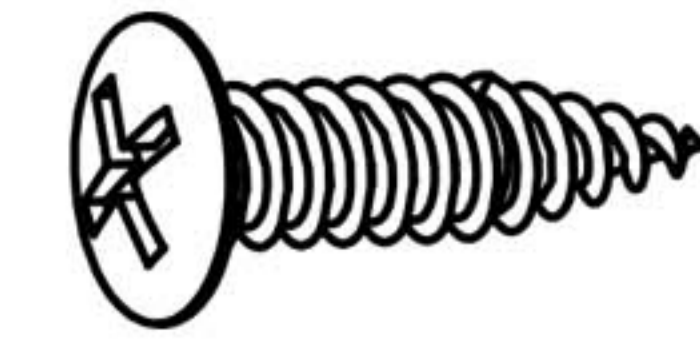


STEP 5

Parts required



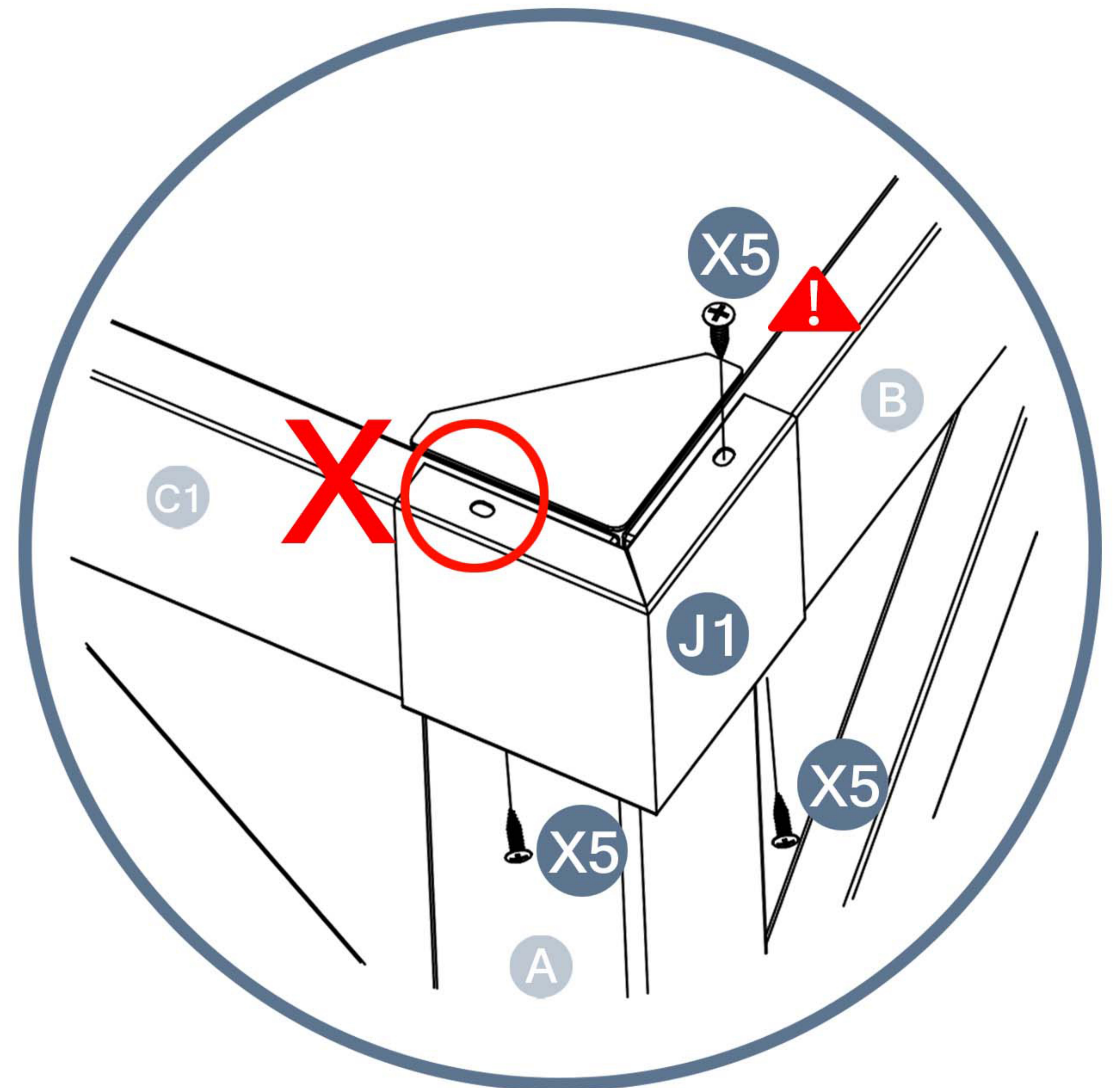
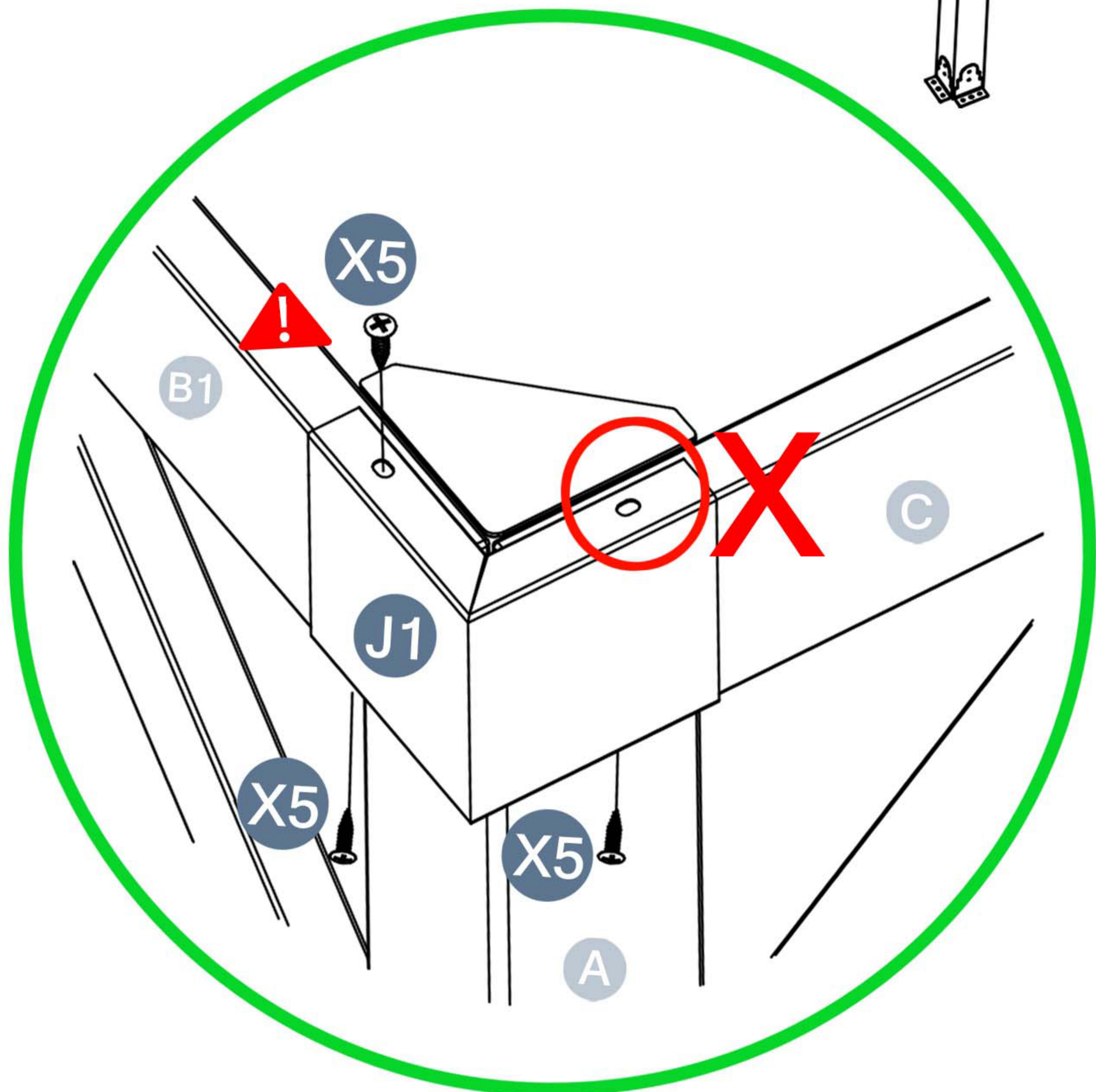
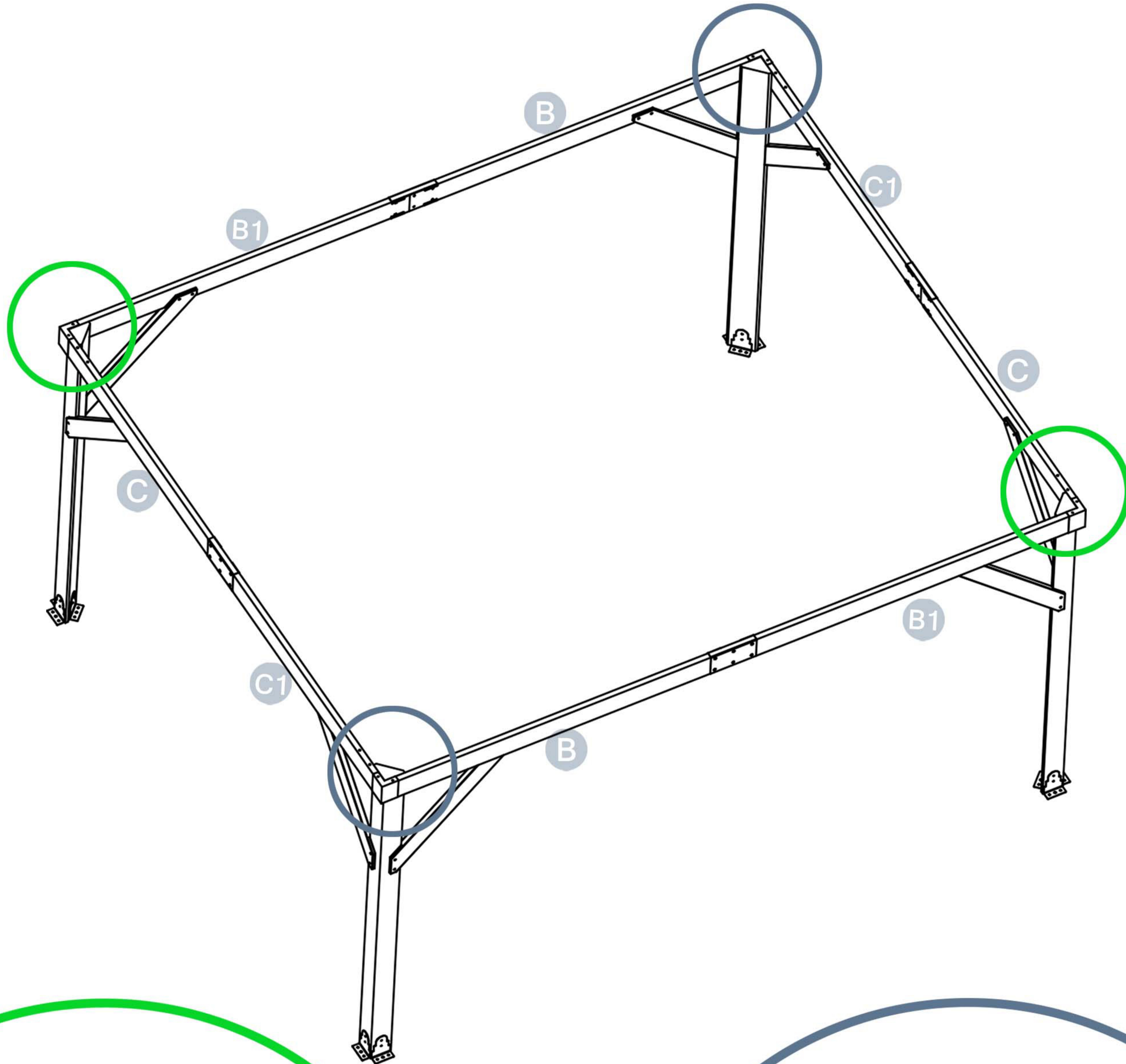
J1 4pcs



X5 12pcs

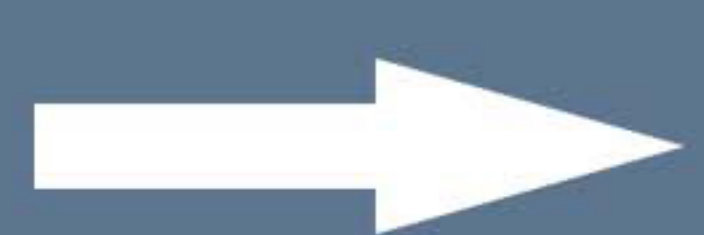


Please Note that the X5 circled in red is a self-tapping nail without hole, it can be directly tightened.



X Don't install screws

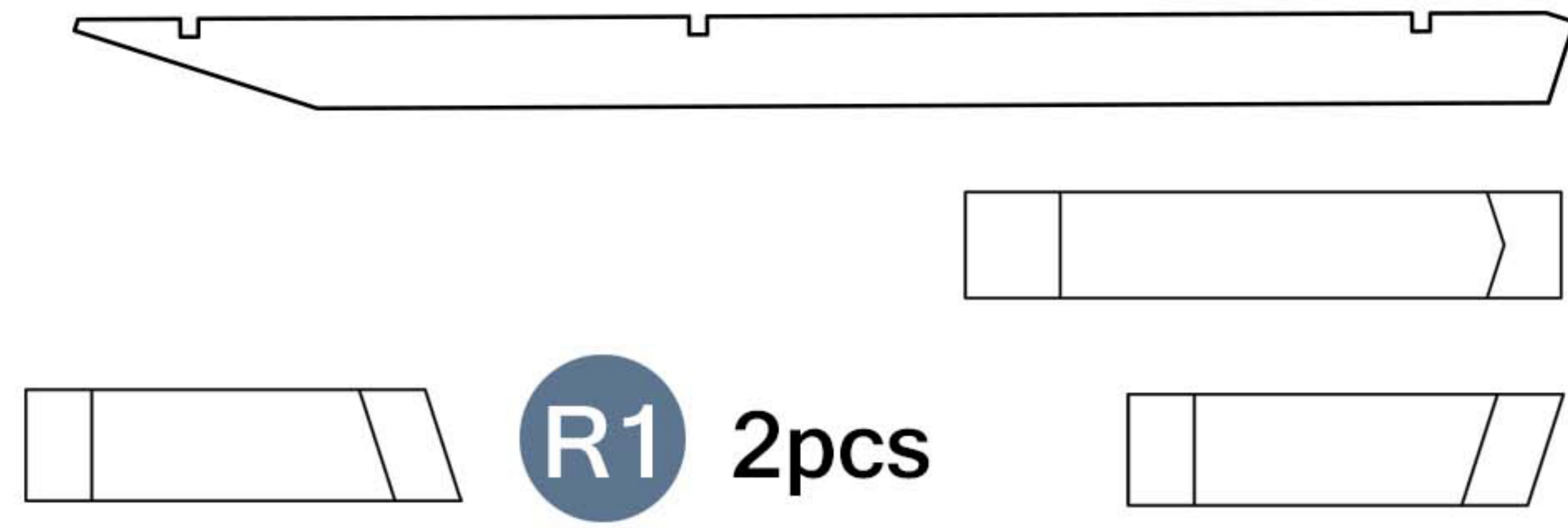
Please take care of the screws and contact the after-sales service if there is any problem with the installation or parts.



E-mail: cs.helper01@gmail.com

STEP 6

Parts required



E 4pcs

R 2pcs

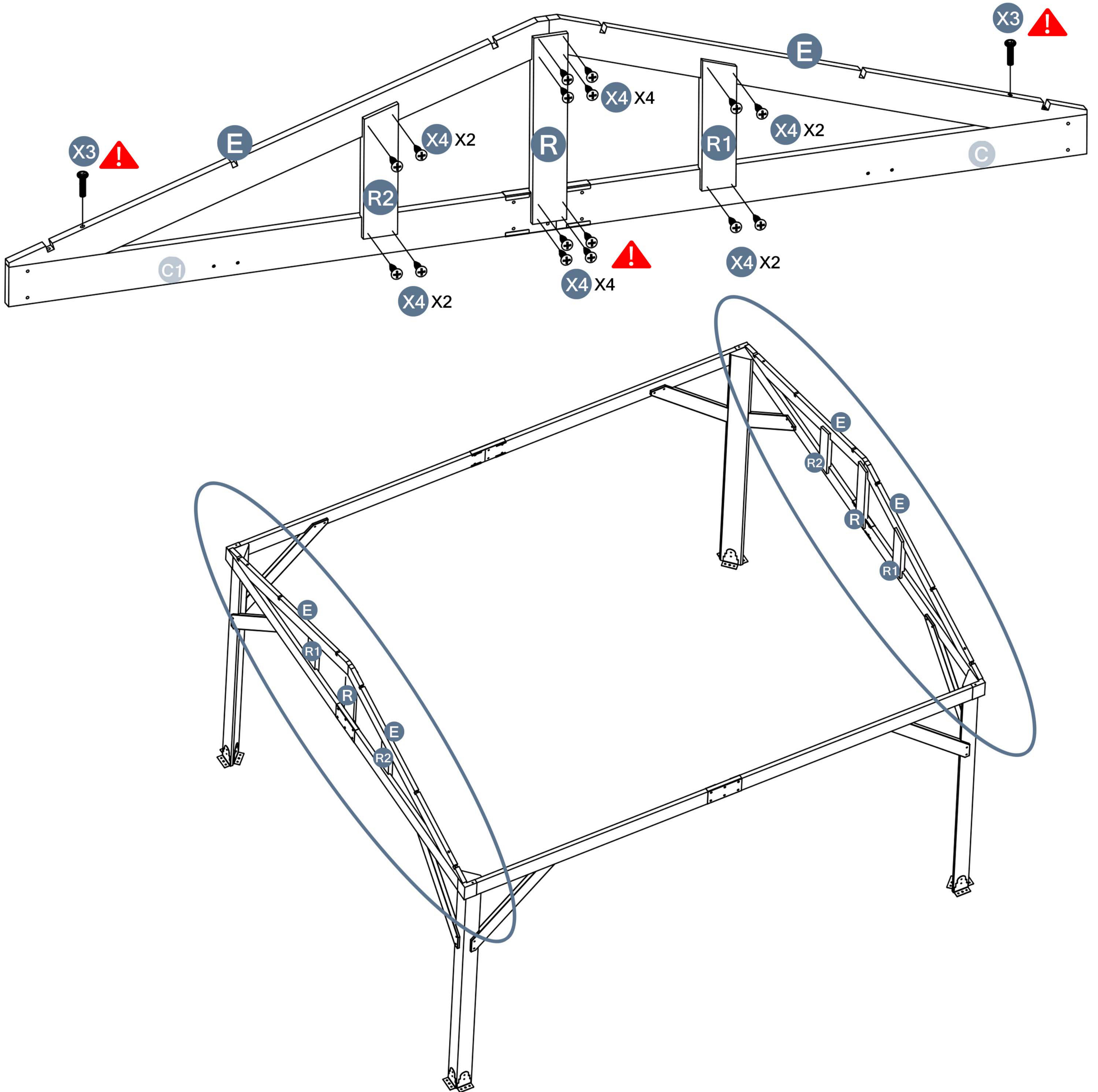
R1 2pcs

R2 2pcs

X3 4pcs

X4 32pcs

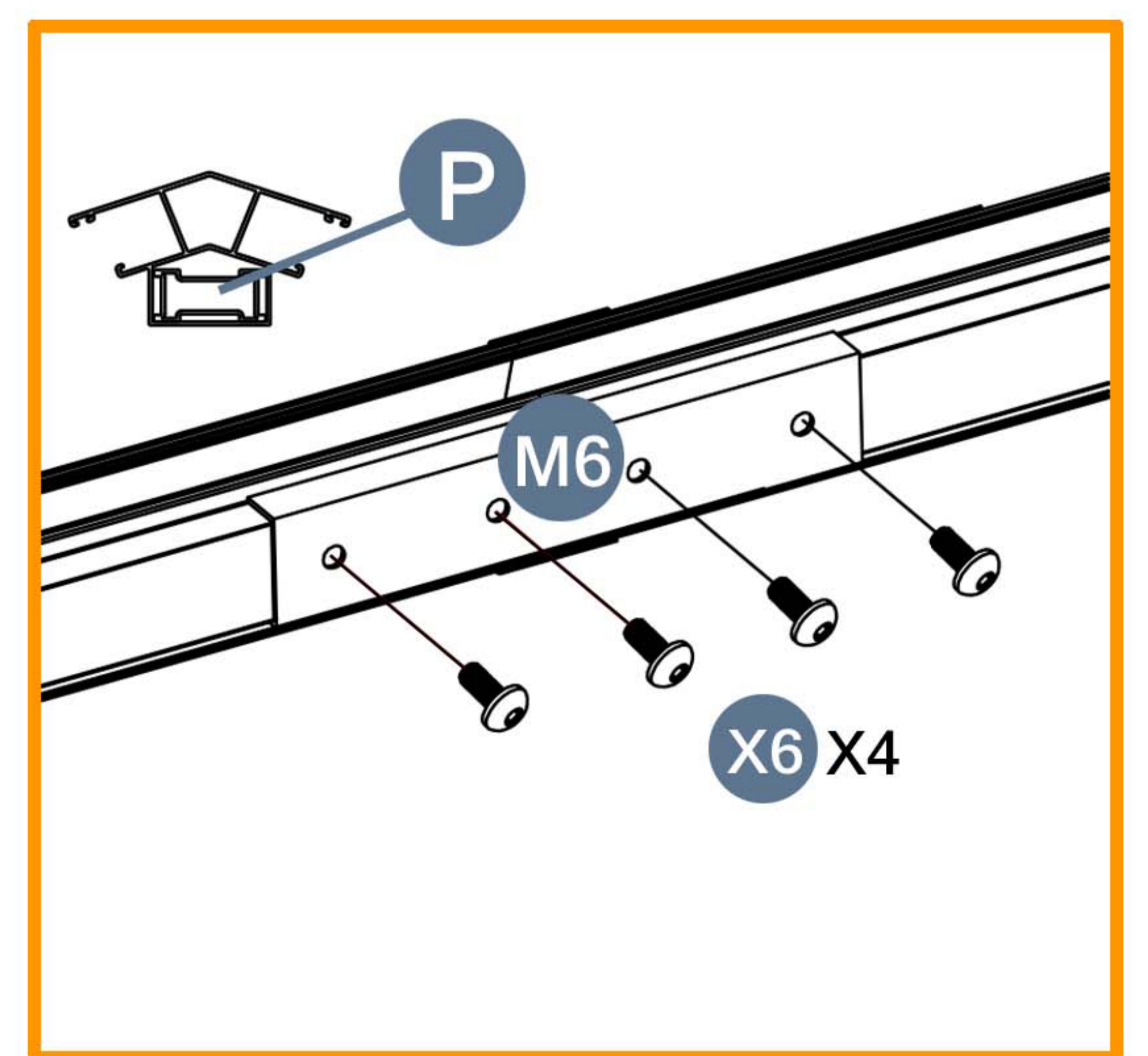
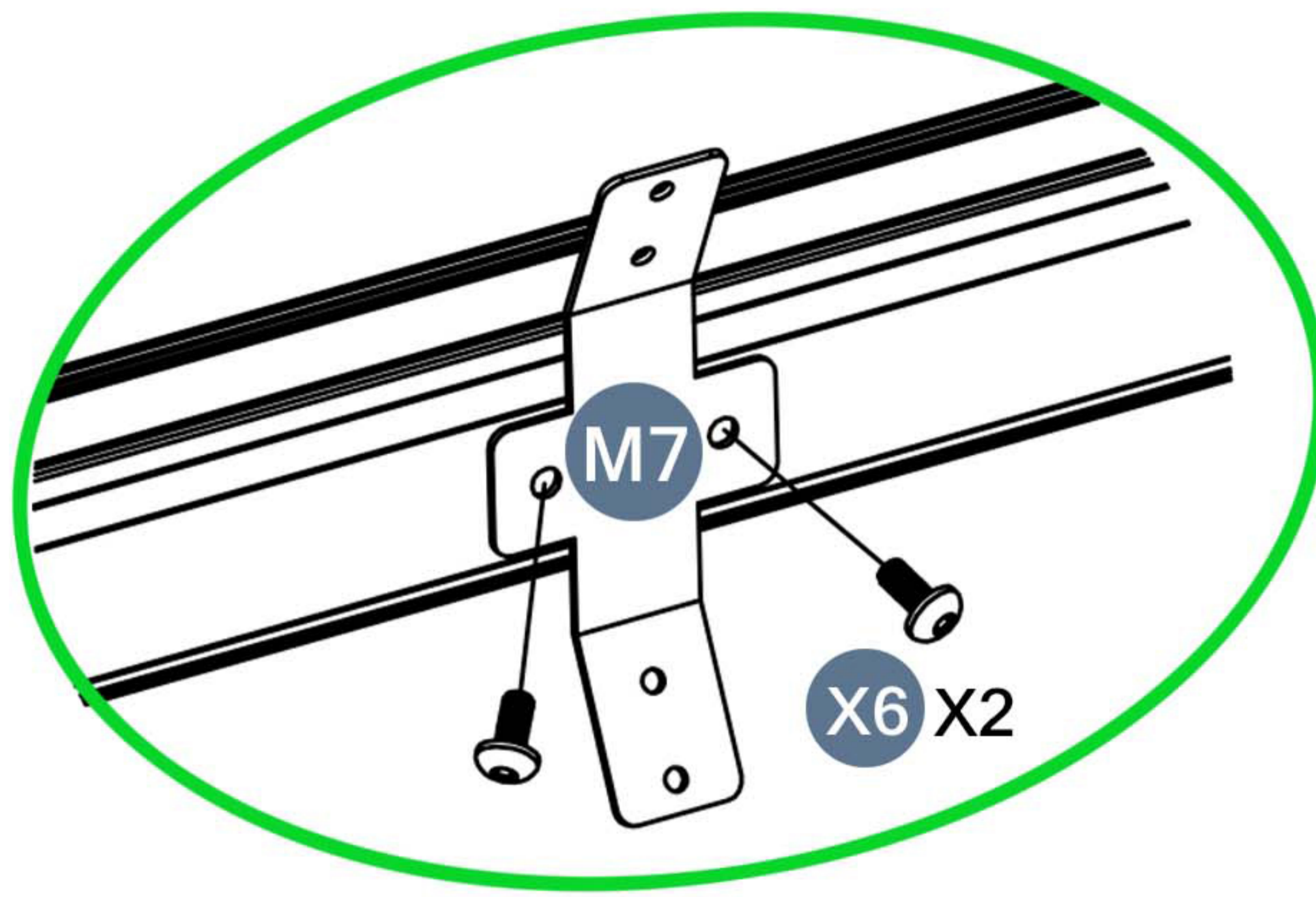
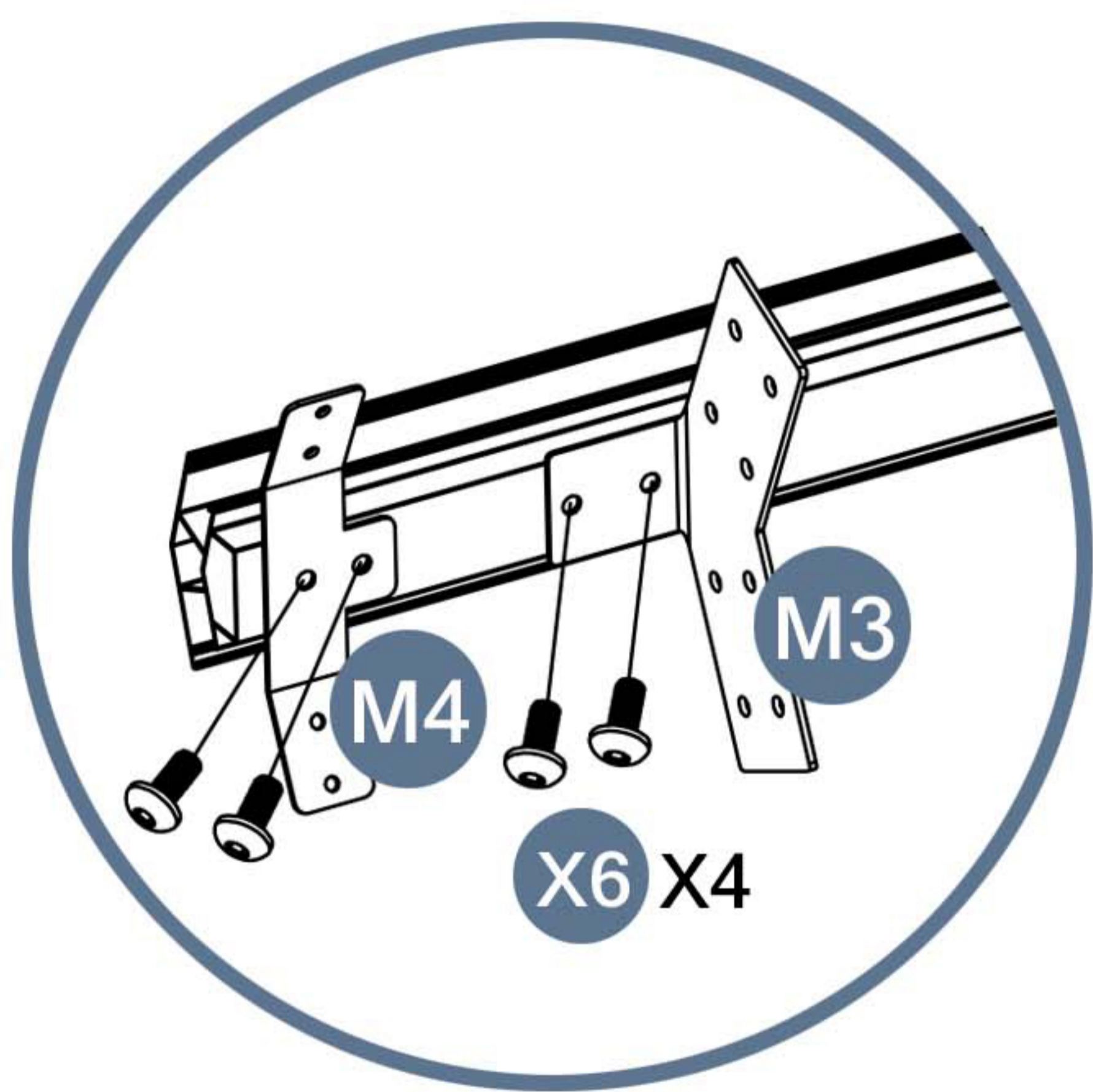
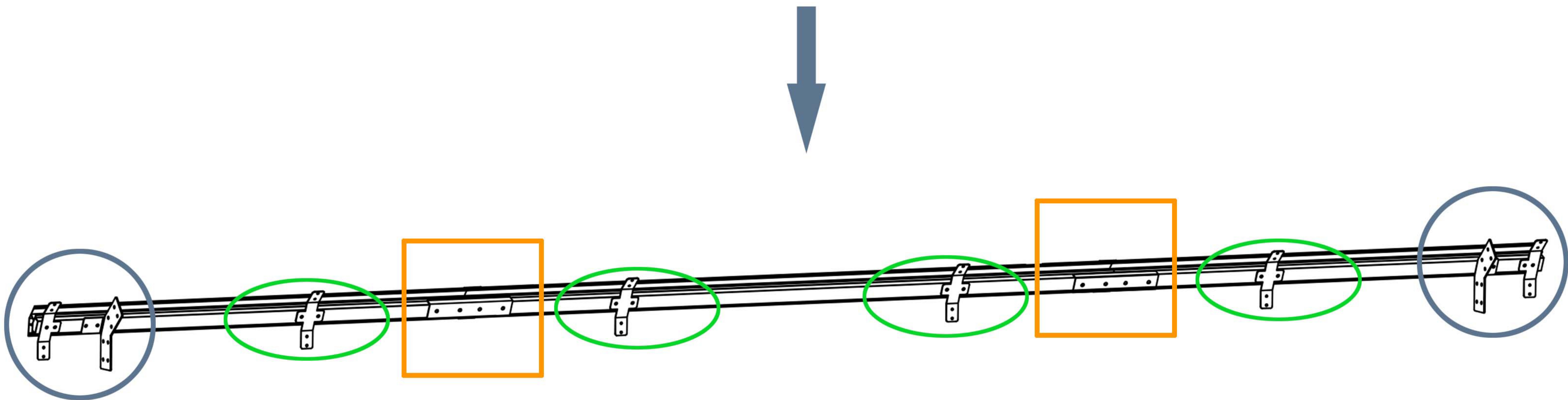
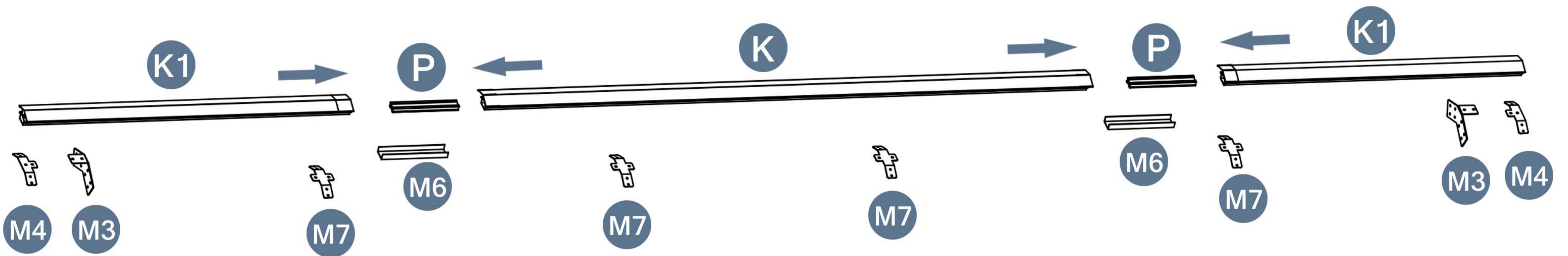
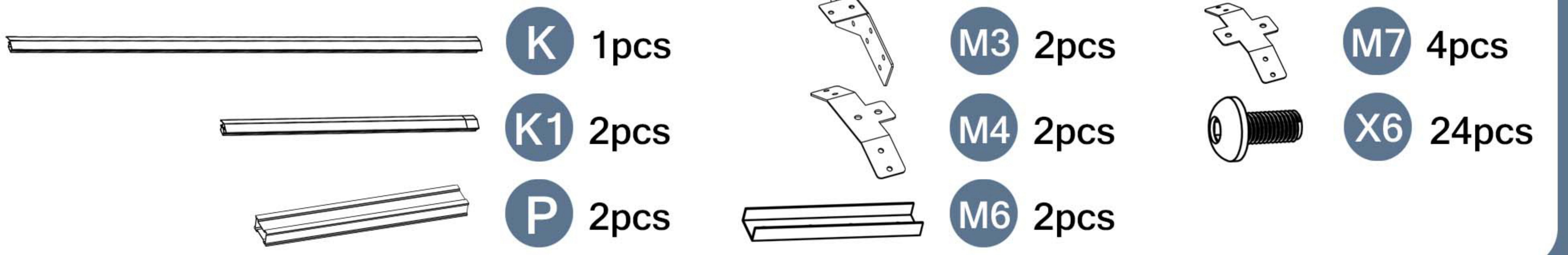
⚠ Pay attention to the types of screws.



Please take care of the screws and contact the after-sales service if there is any problem with the installation or parts.

STEP 7

Parts required

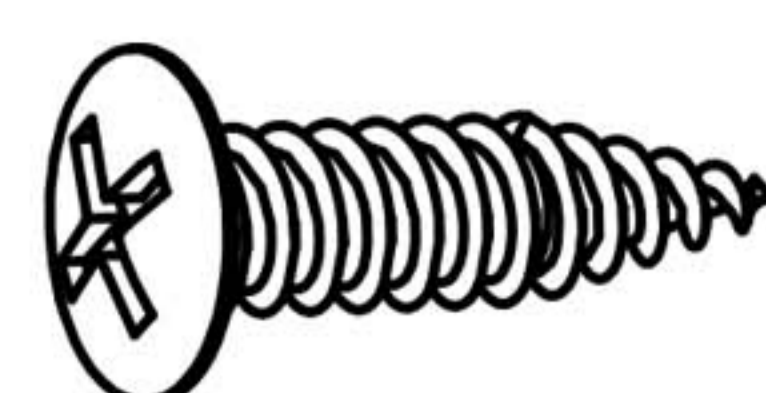


Please take care of the screws and contact the after-sales service if there is any problem with the installation or parts.

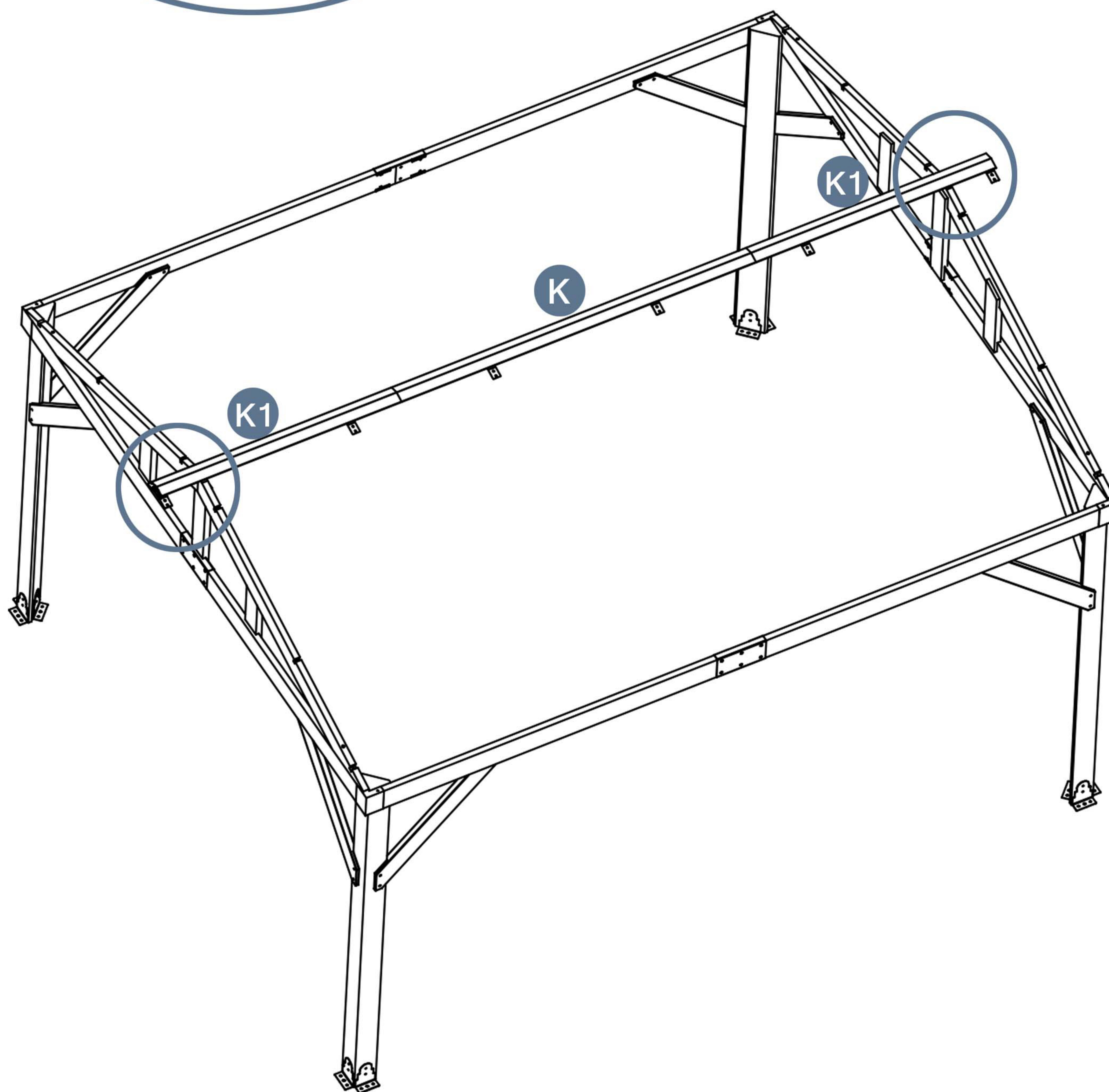
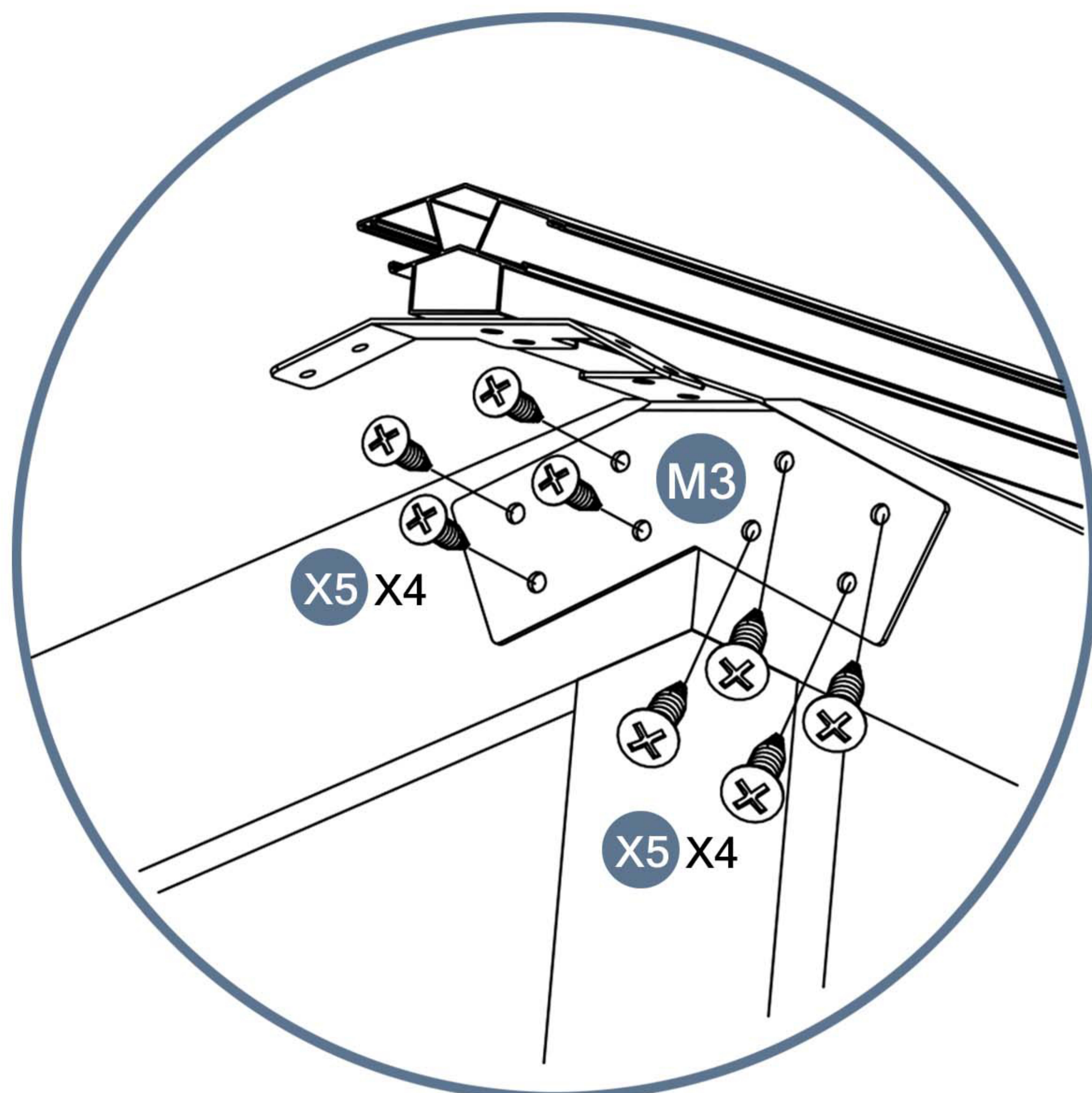
➔ ✉ E-mail: cs.helper01@gmail.com

STEP 8

Parts required



X5 16pcs



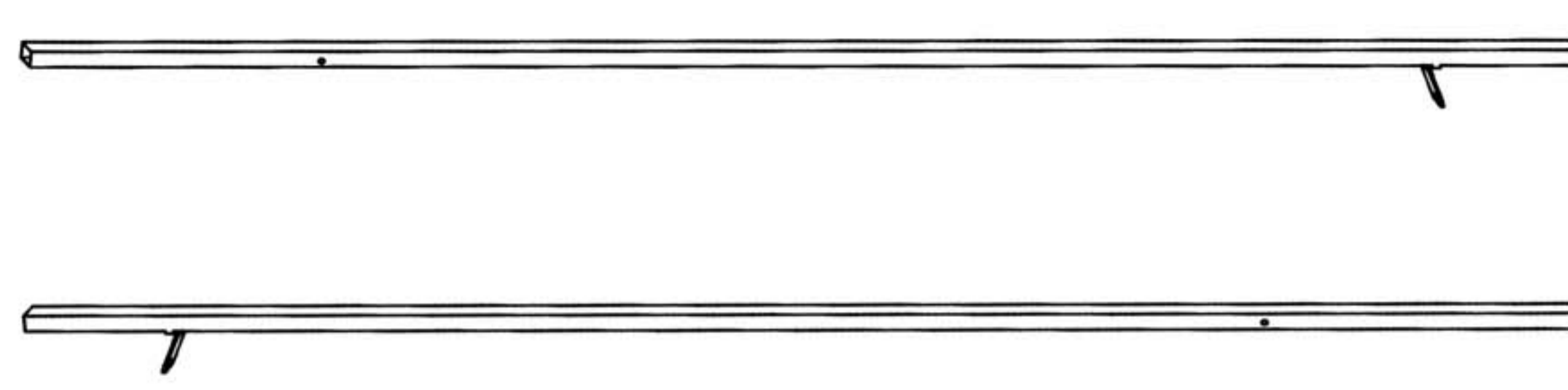
Please take care of the screws and contact the after-sales service if there is any problem with the installation or parts.



E-mail: cs.helper01@gmail.com

STEP 9

Parts required

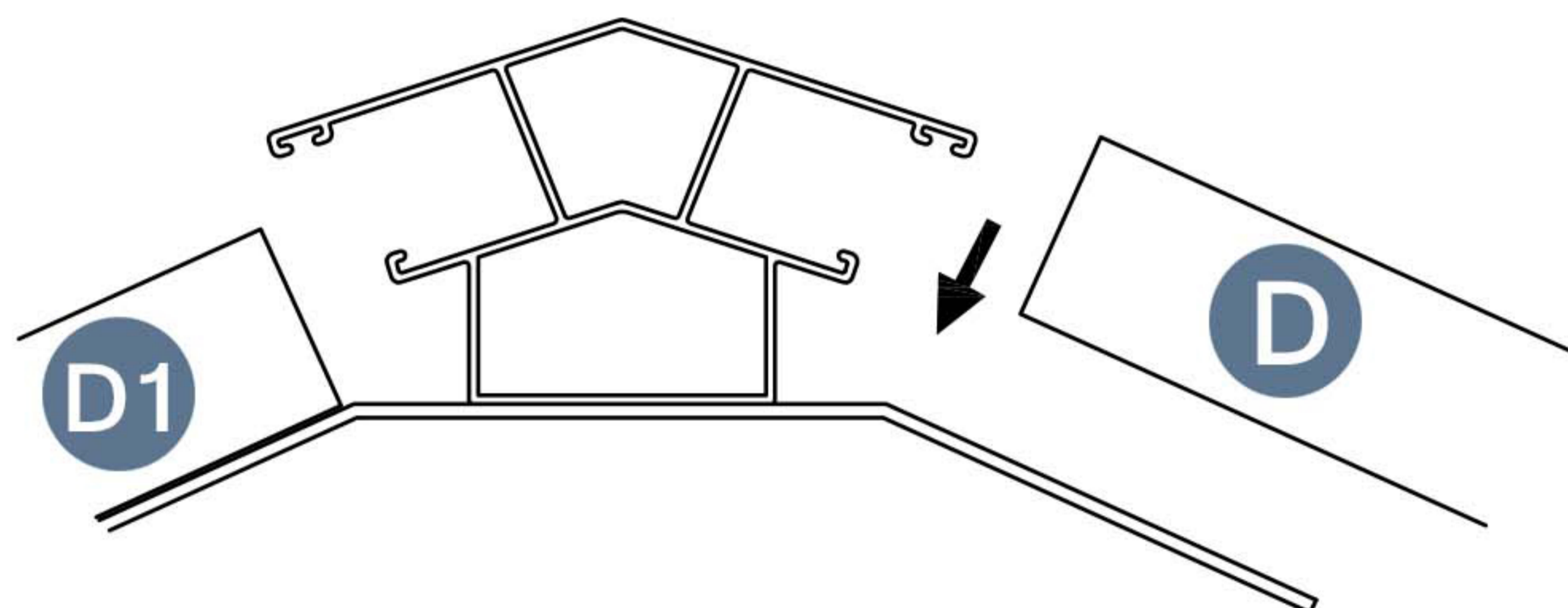


D 4pcs

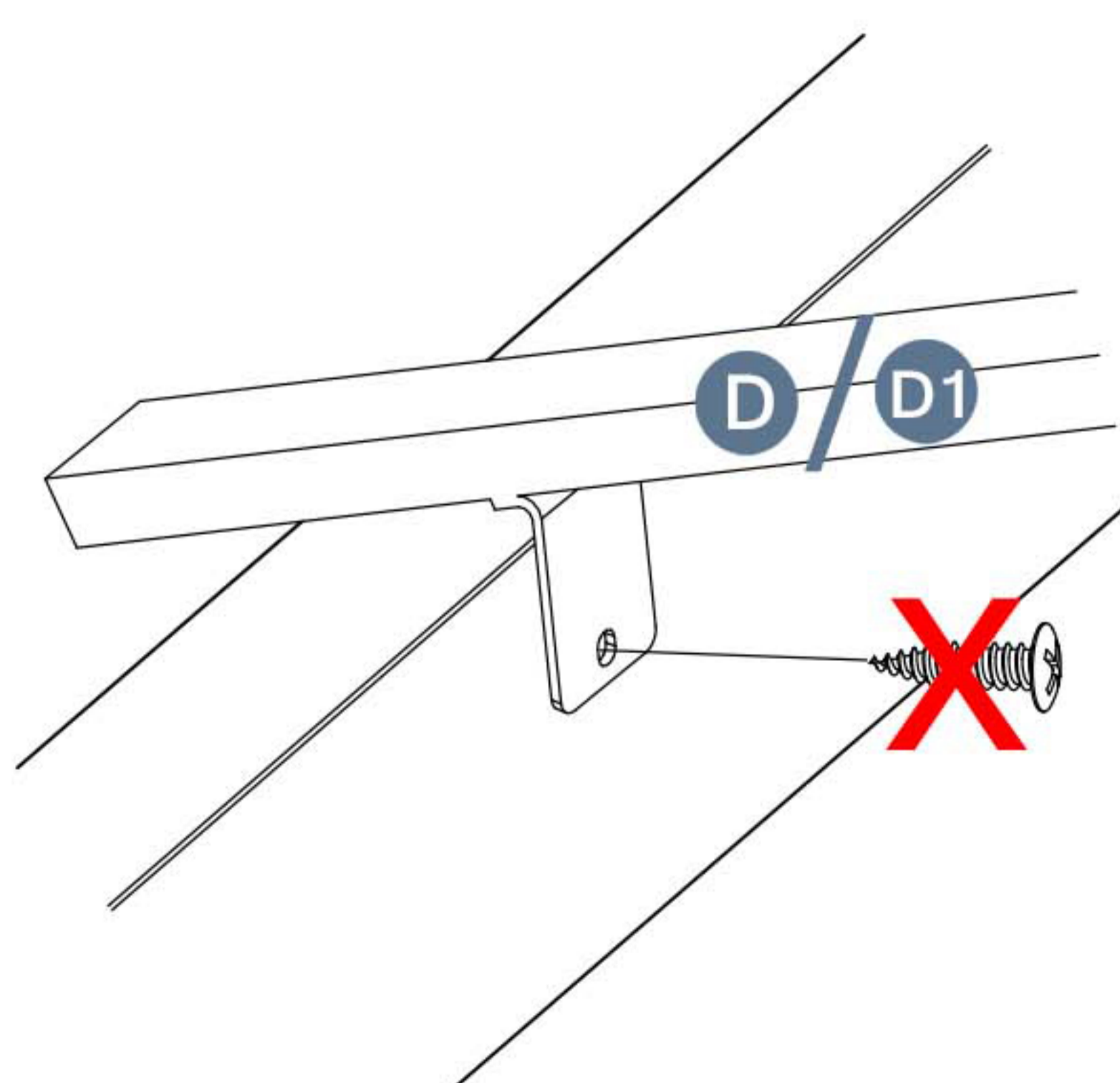
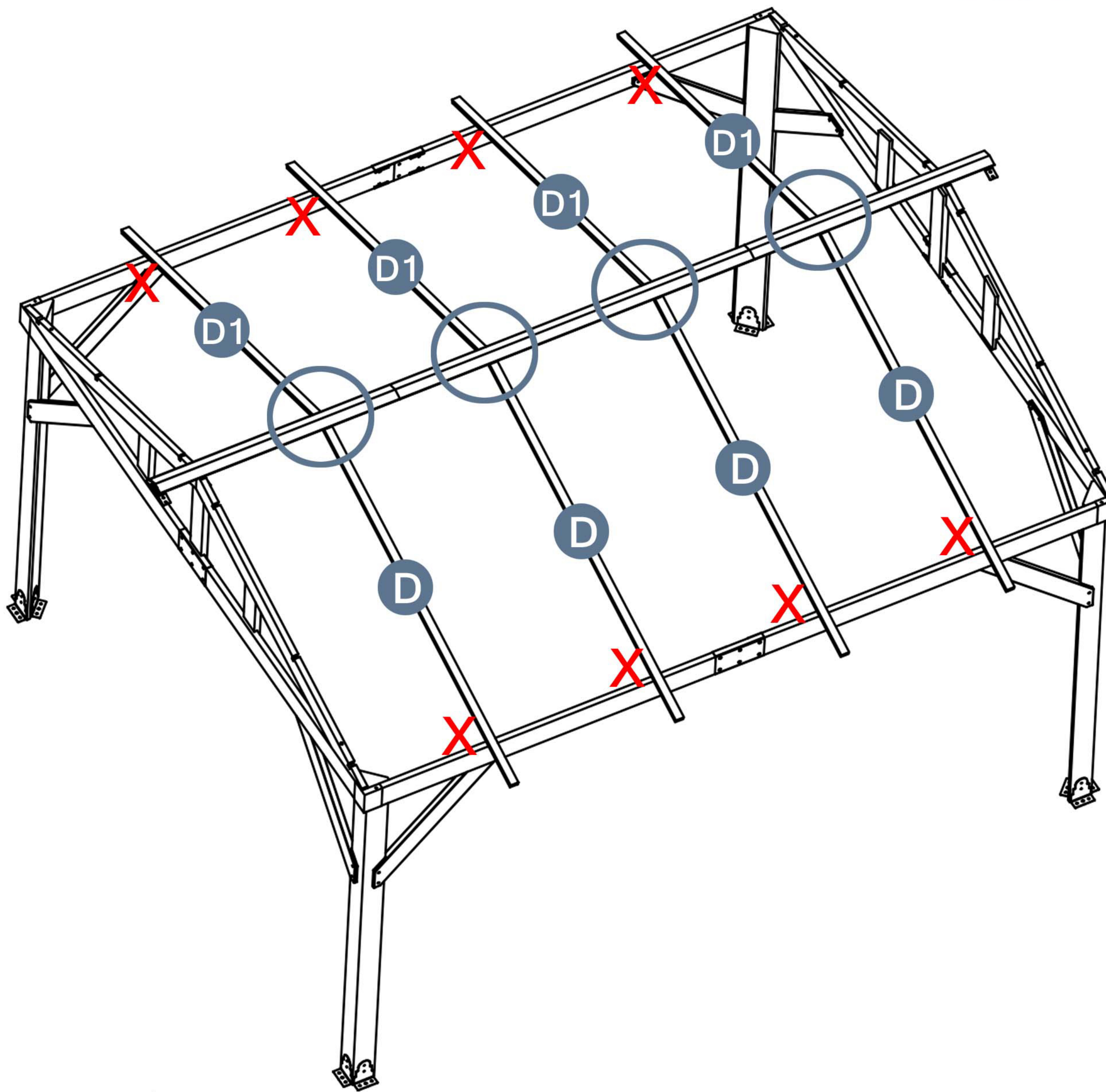
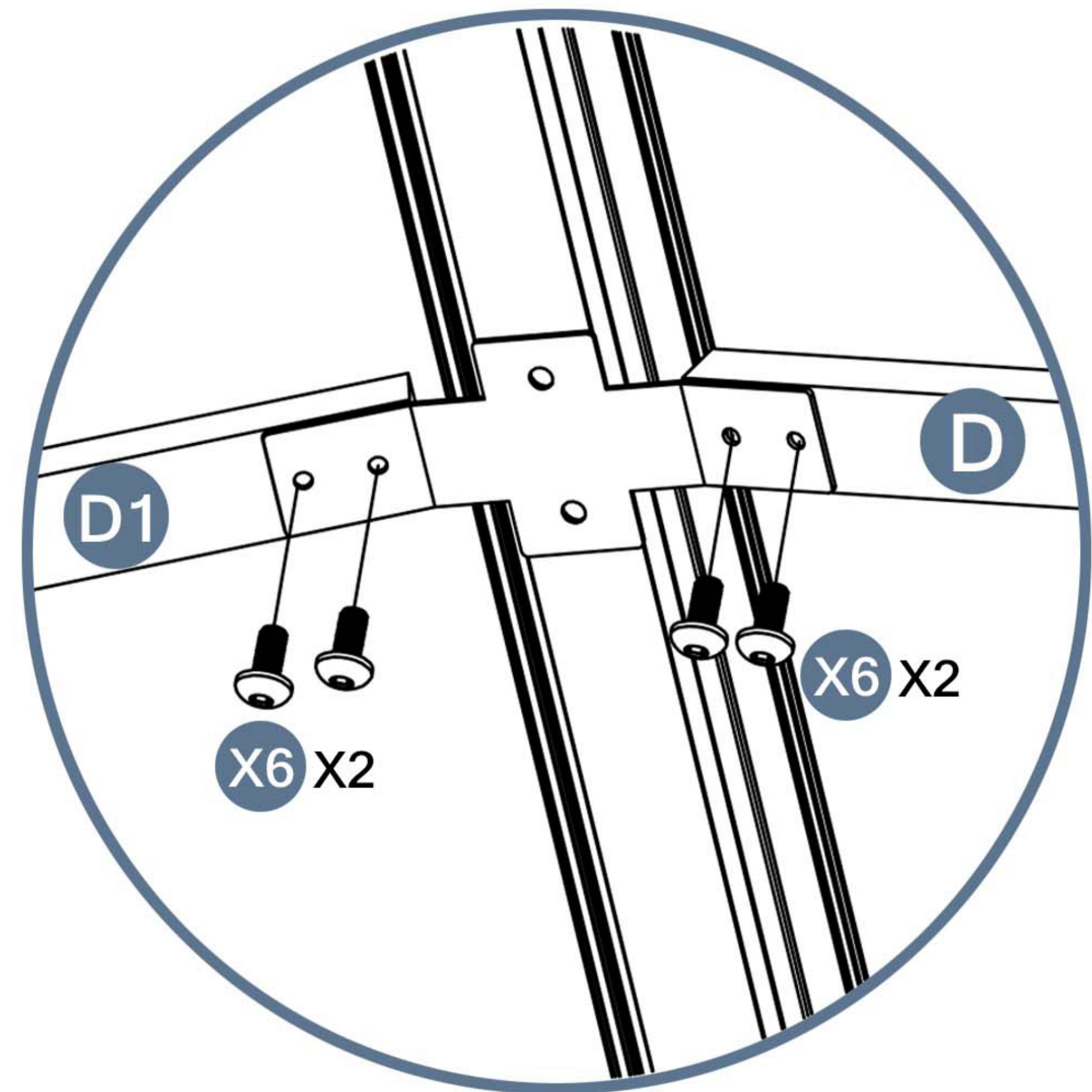
D1 4pcs



X6 16pcs

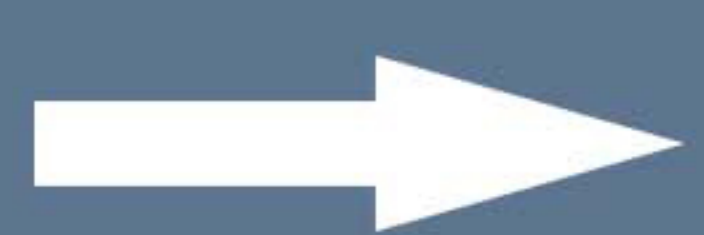


• Side view



No screws will be installed in this step for the time being. Step 19 will be installed again.

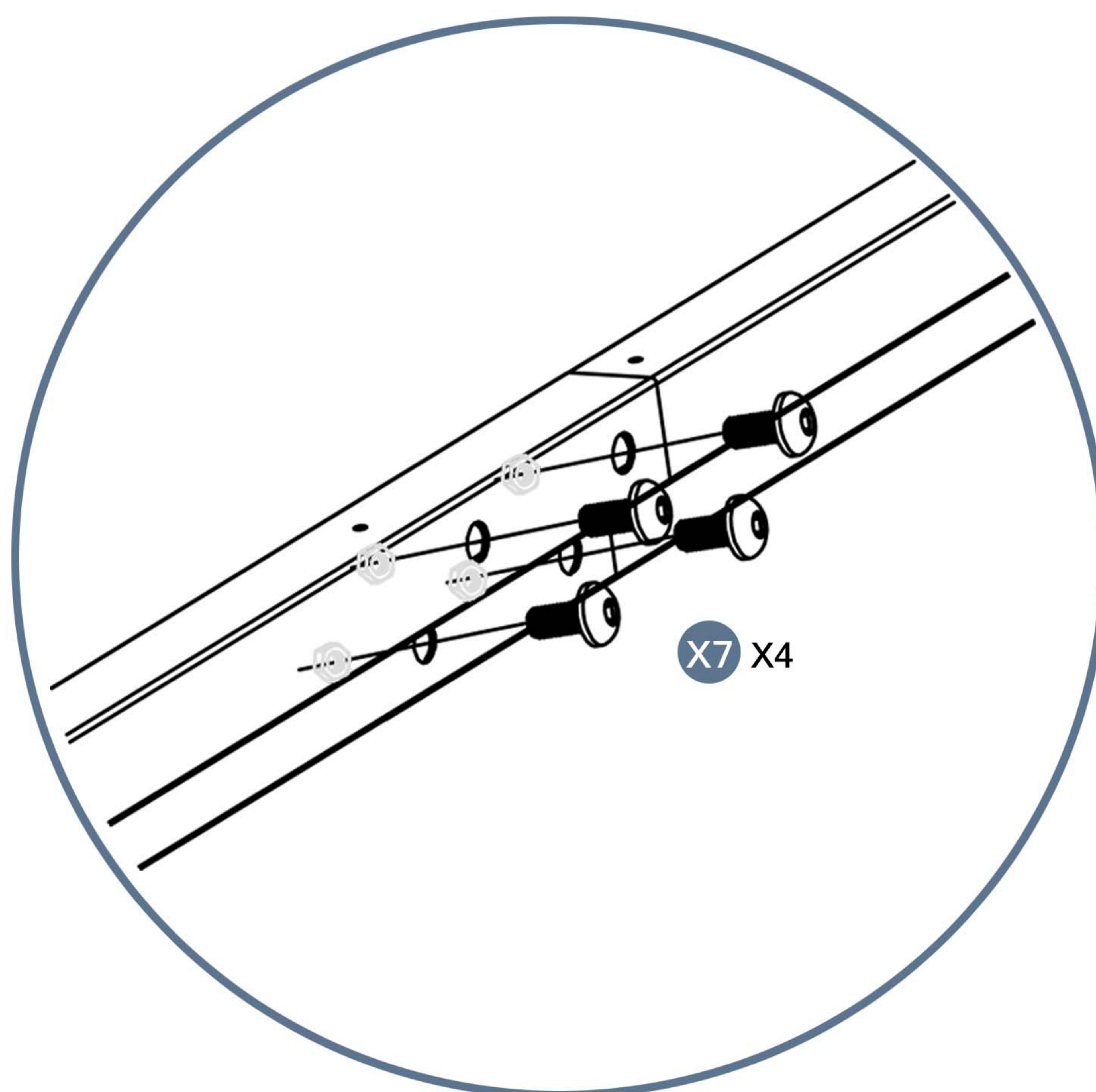
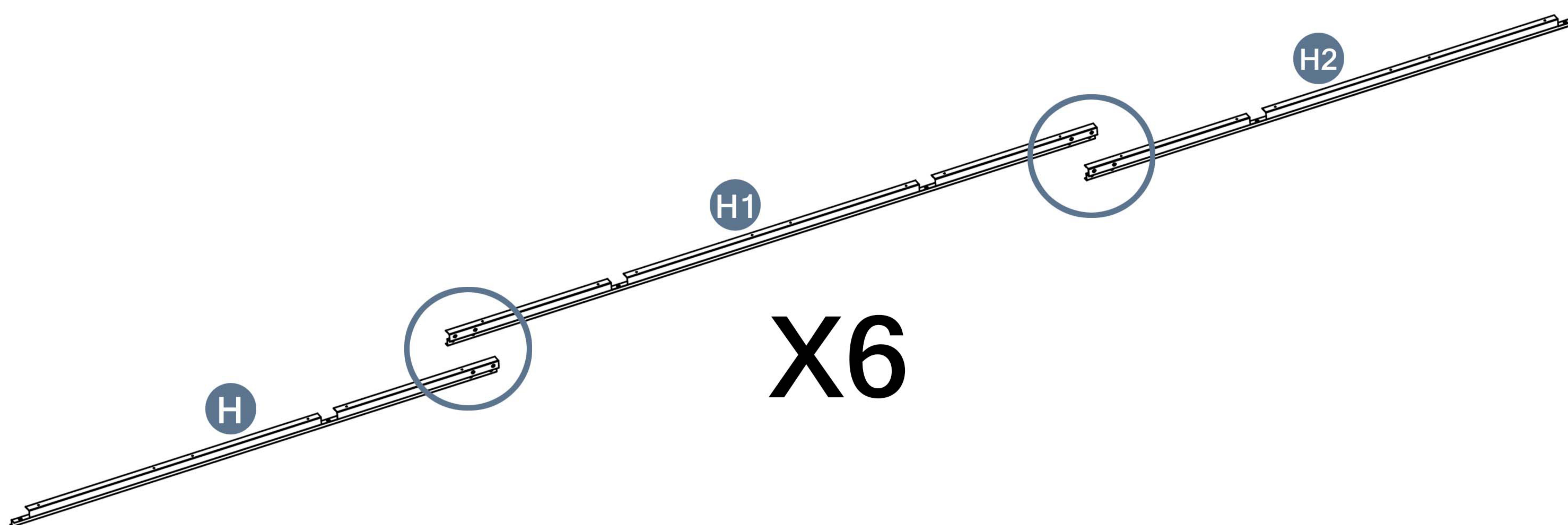
Please take care of the screws and contact the after-sales service if there is any problem with the installation or parts.



E-mail: cs.helper01@gmail.com

STEP 10

Parts required

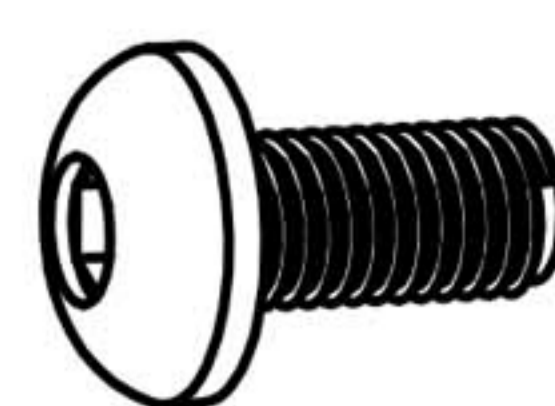


Please take care of the screws and contact the after-sales service if there is any problem with the installation or parts.

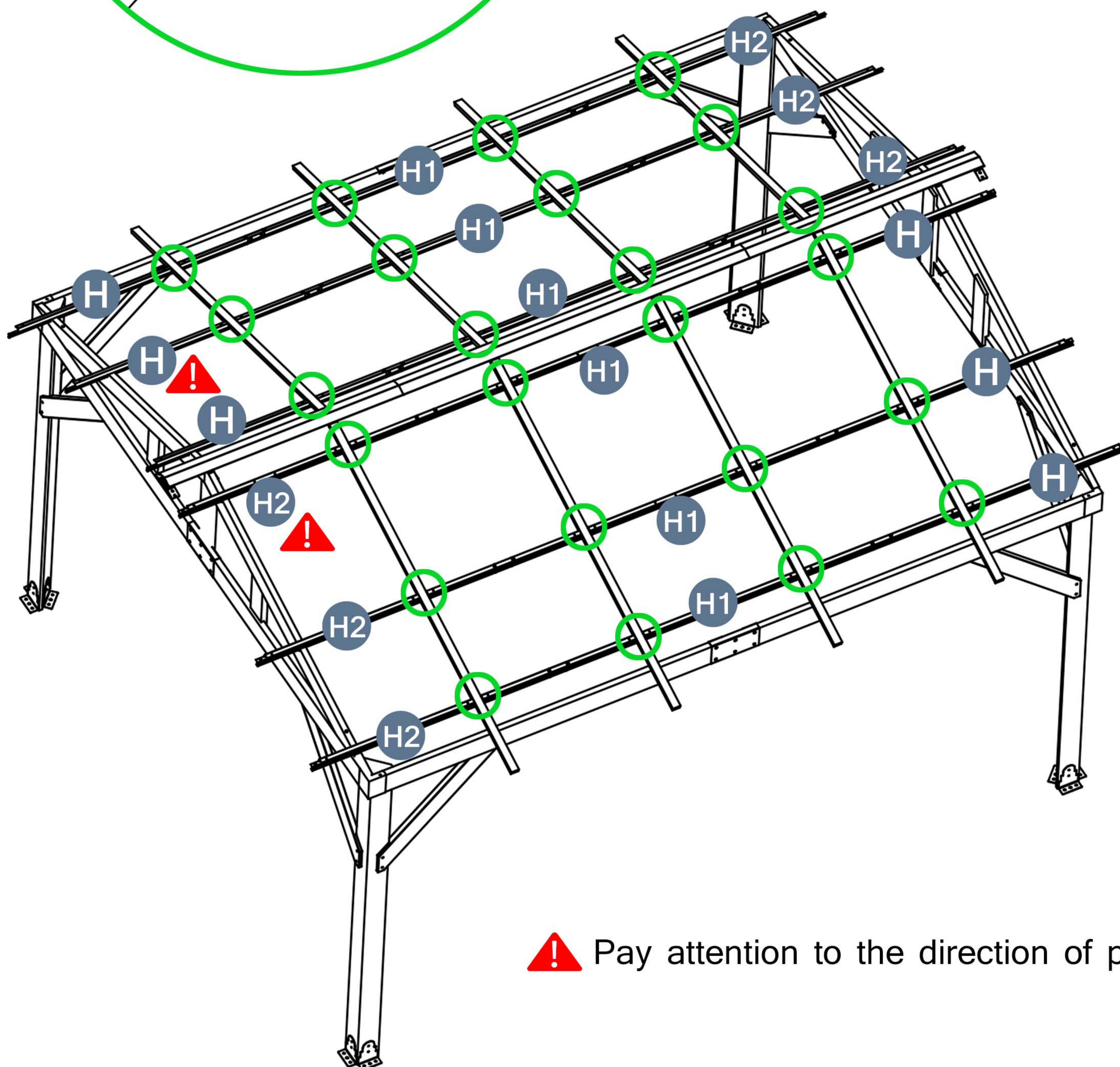
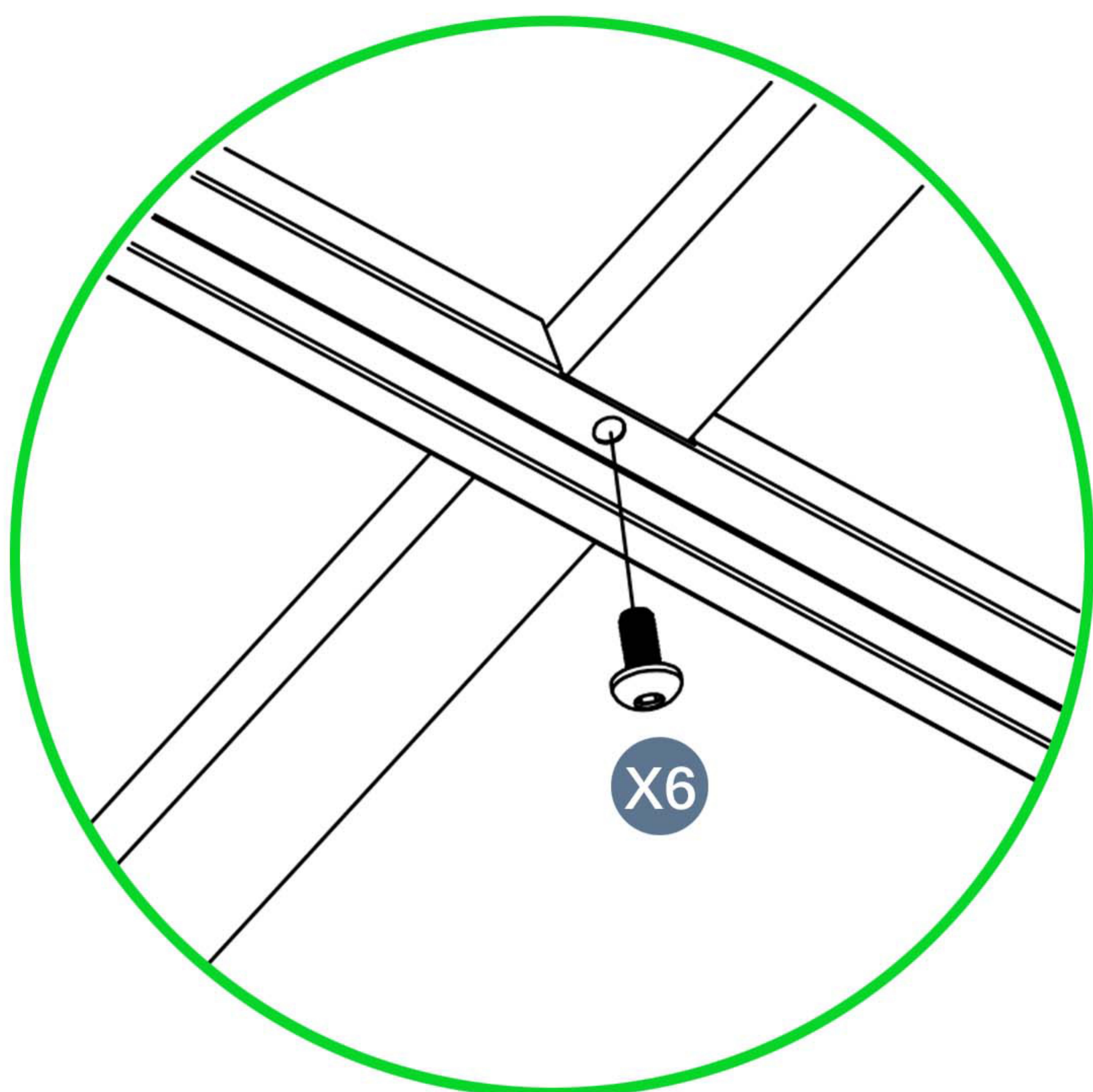
➔ ✉ E-mail: cs.helper01@gmail.com

STEP 11

Parts required



X6 24pcs



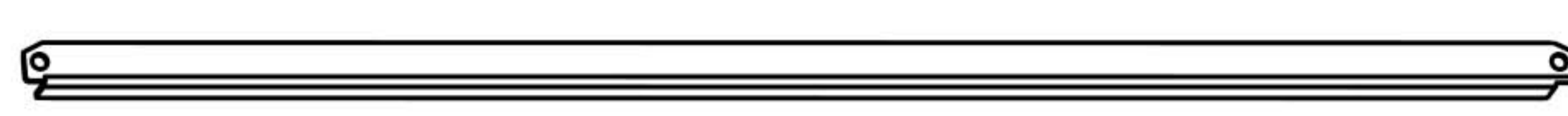
! Pay attention to the direction of placement

Please take care of the screws and contact the after-sales service if there is any problem with the installation or parts.

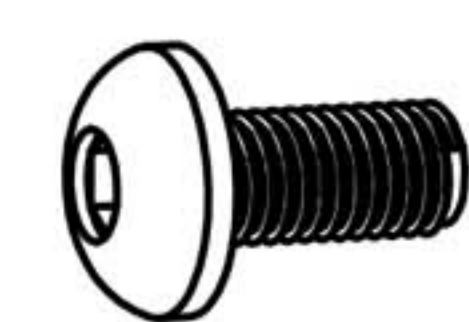
➔ ✉ E-mail: cs.helper01@gmail.com

STEP 12

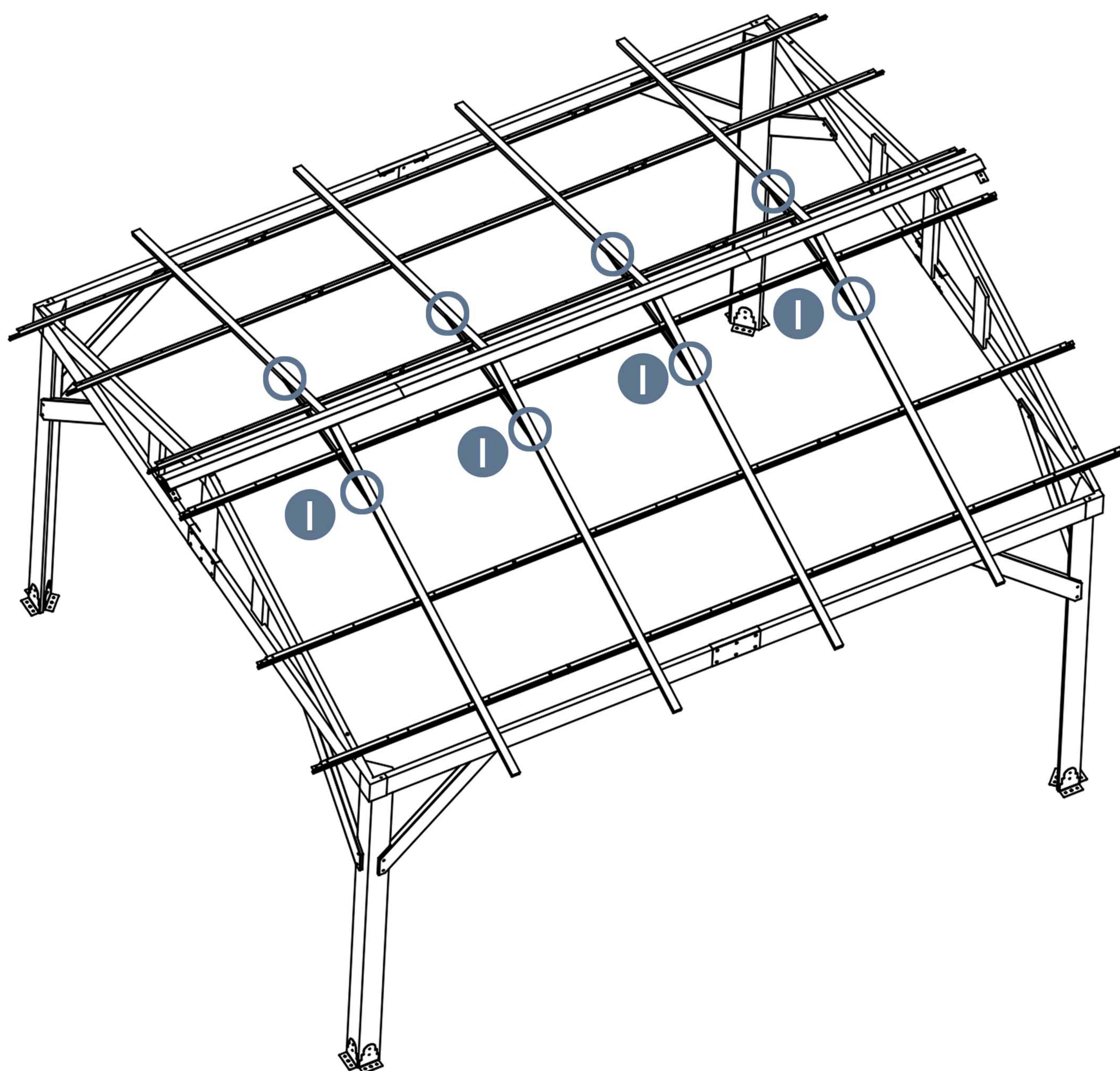
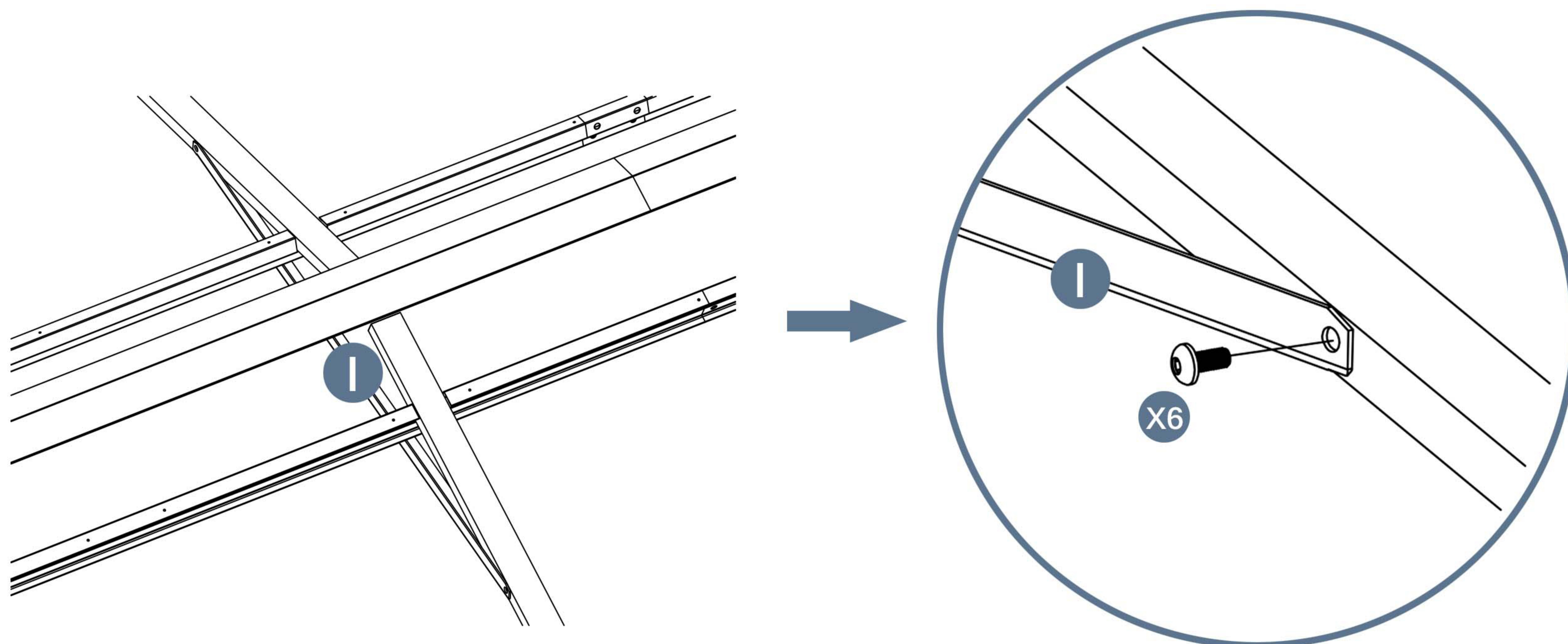
Parts required



1 4pcs



X6 8pcs



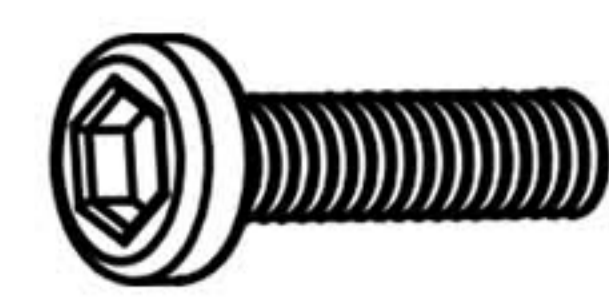
Please take care of the screws and contact the after-sales service if there is any problem with the installation or parts.



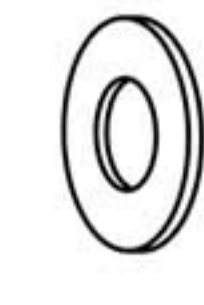
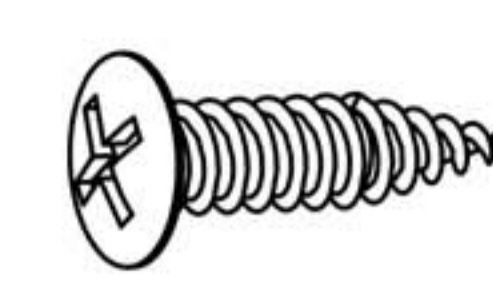
E-mail: cs.helper01@gmail.com

STEP 13

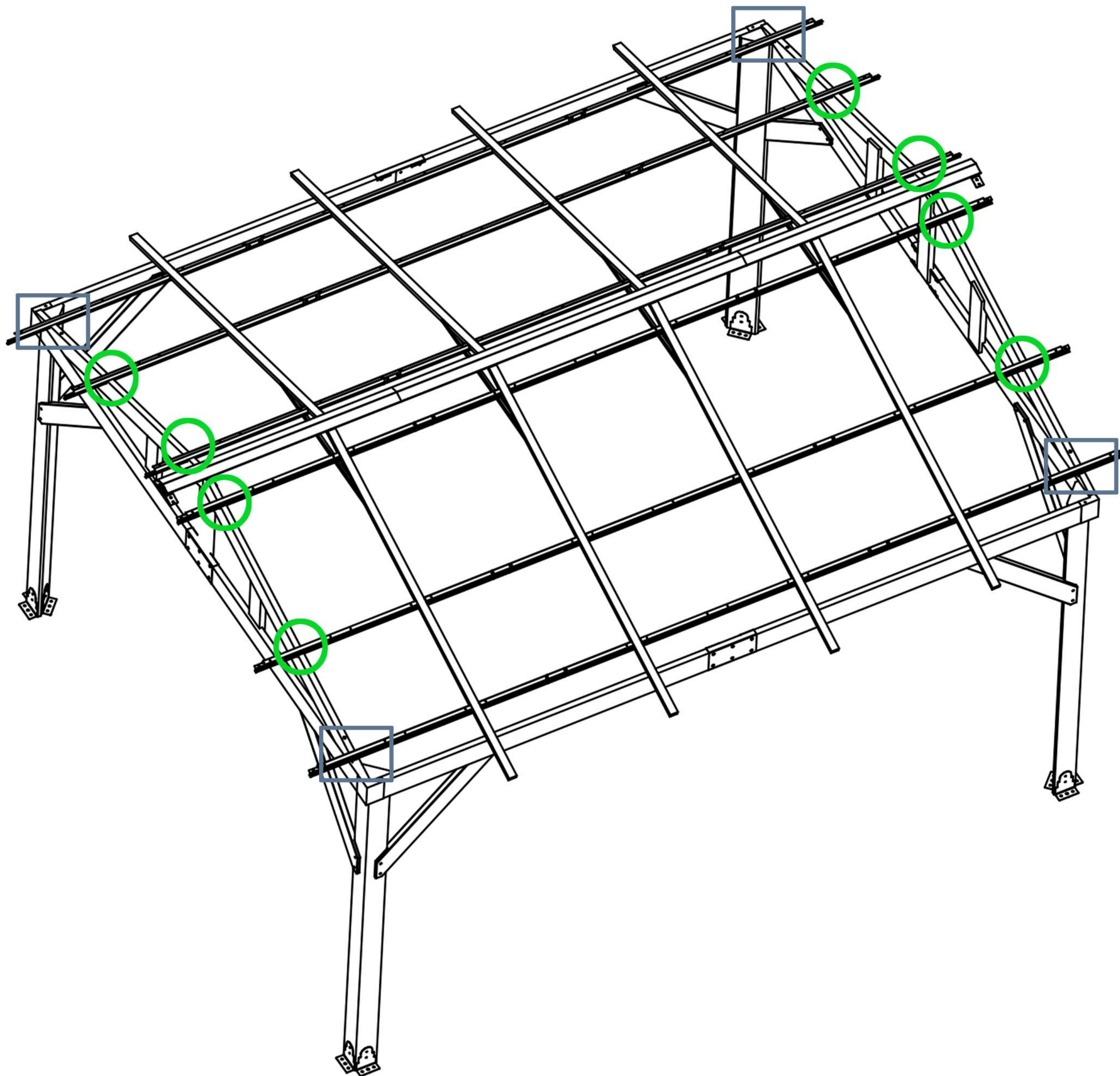
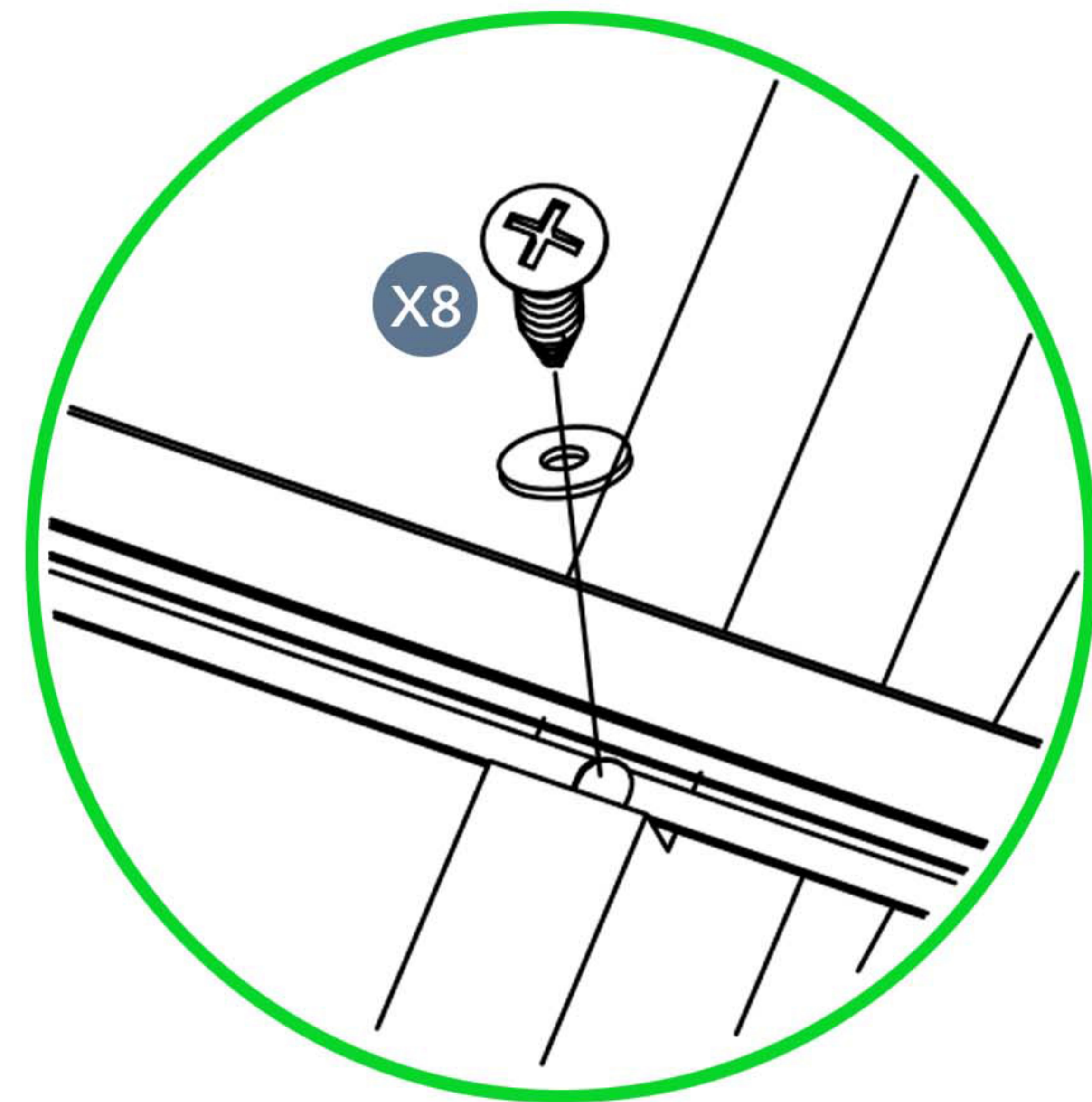
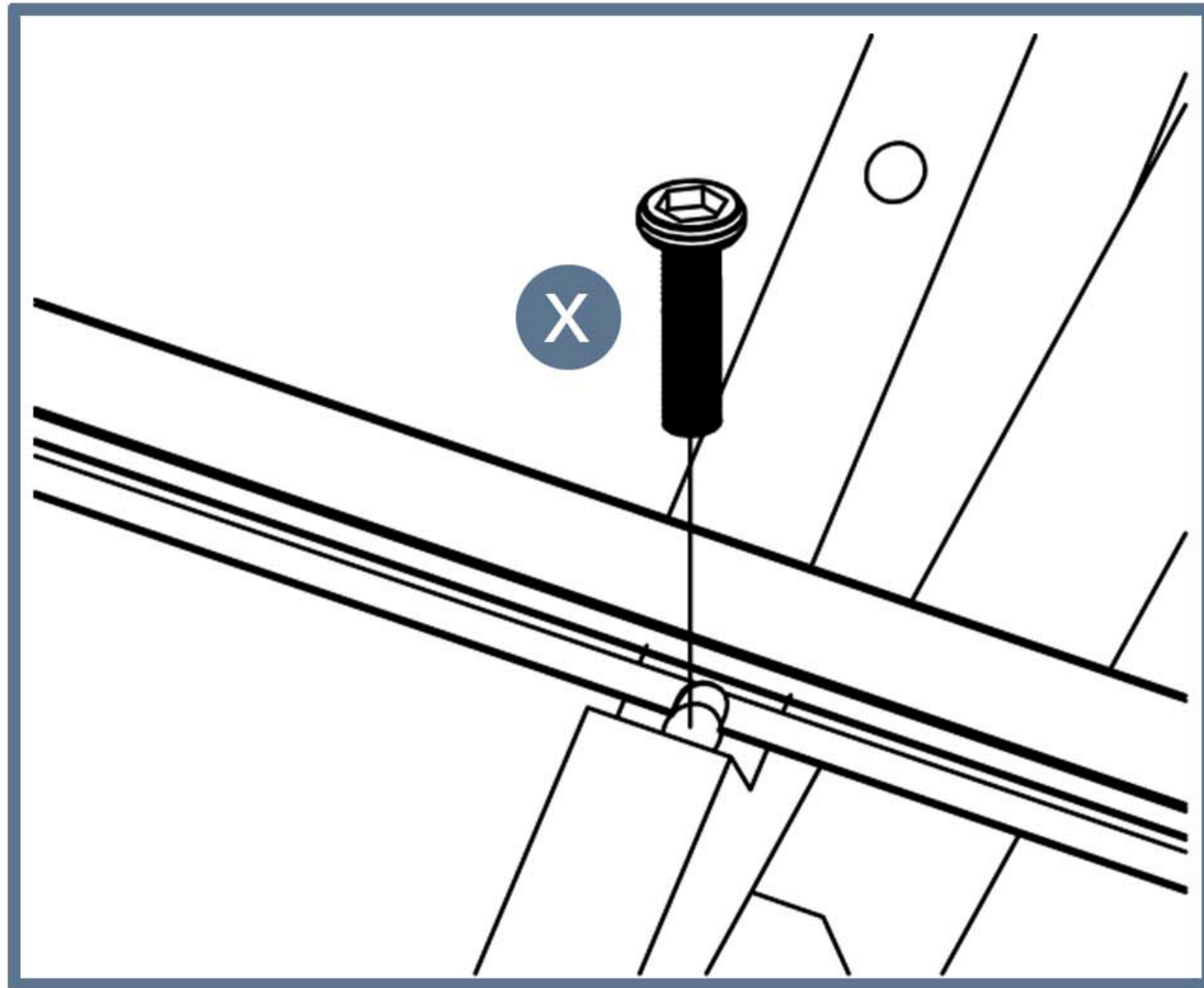
Parts required



X 4pcs



X8 8pcs



Please take care of the screws and contact the after-sales service if there is any problem with the installation or parts.



E-mail: cs.helper01@gmail.com

STEP 14

Parts required



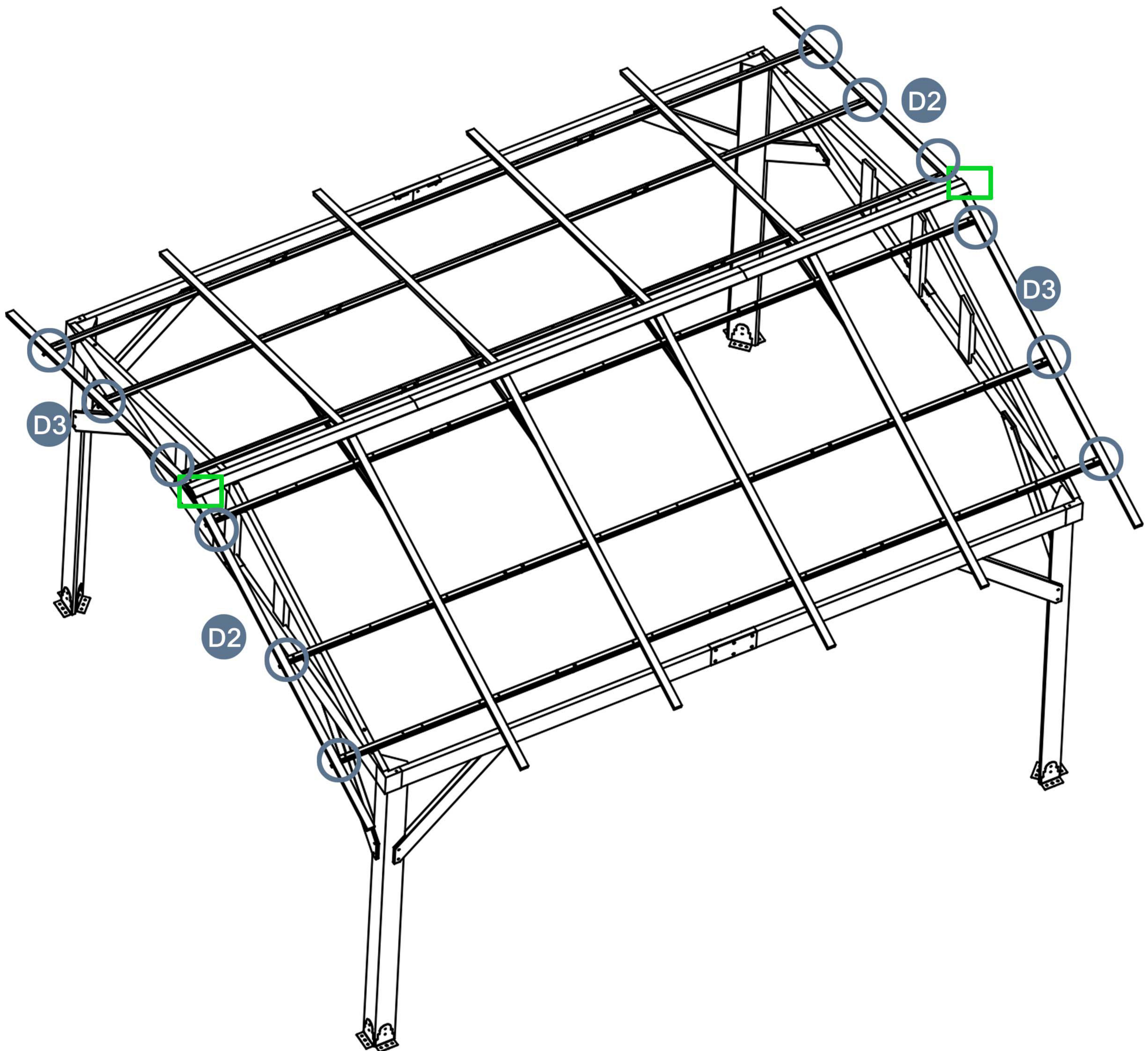
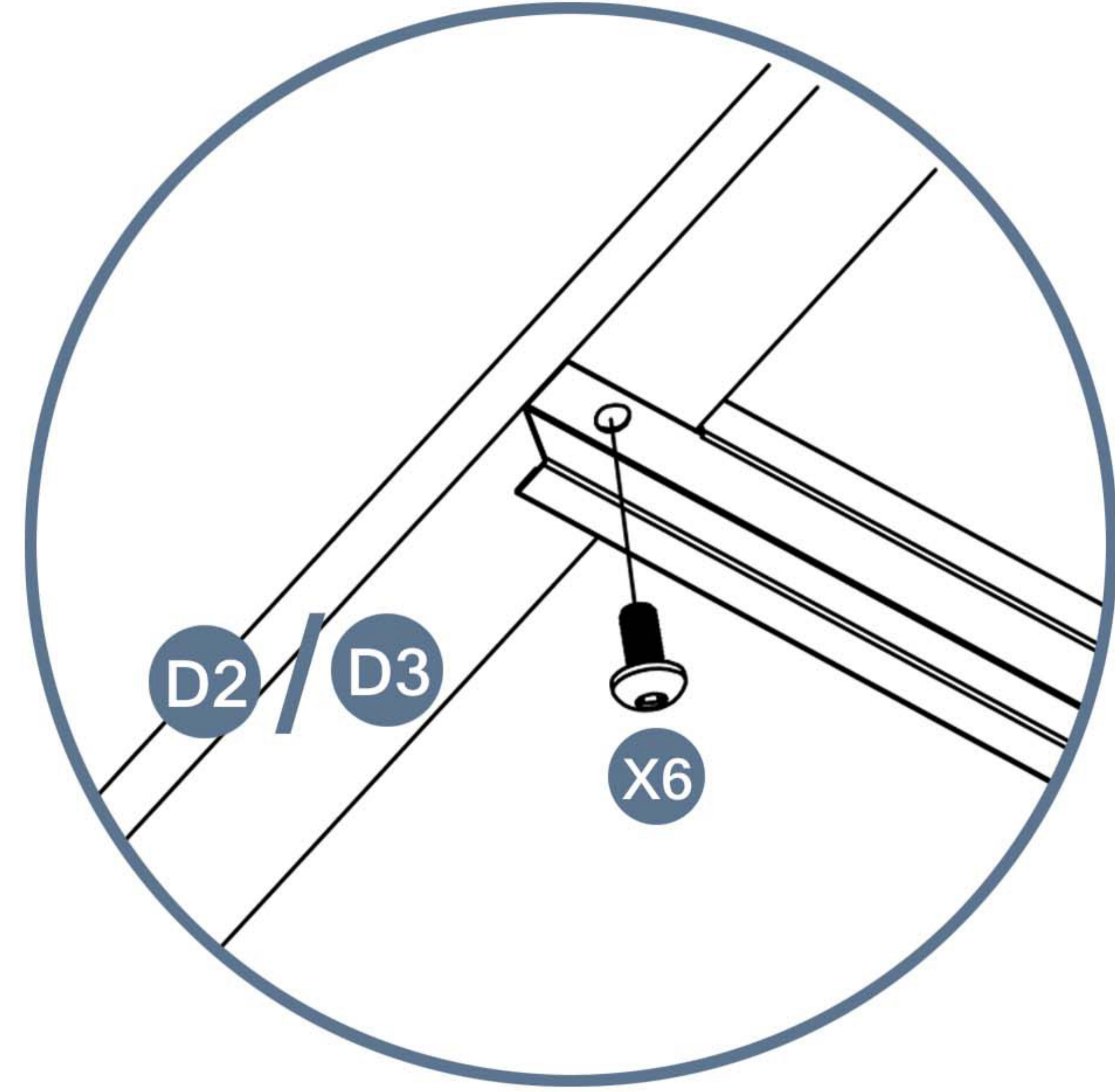
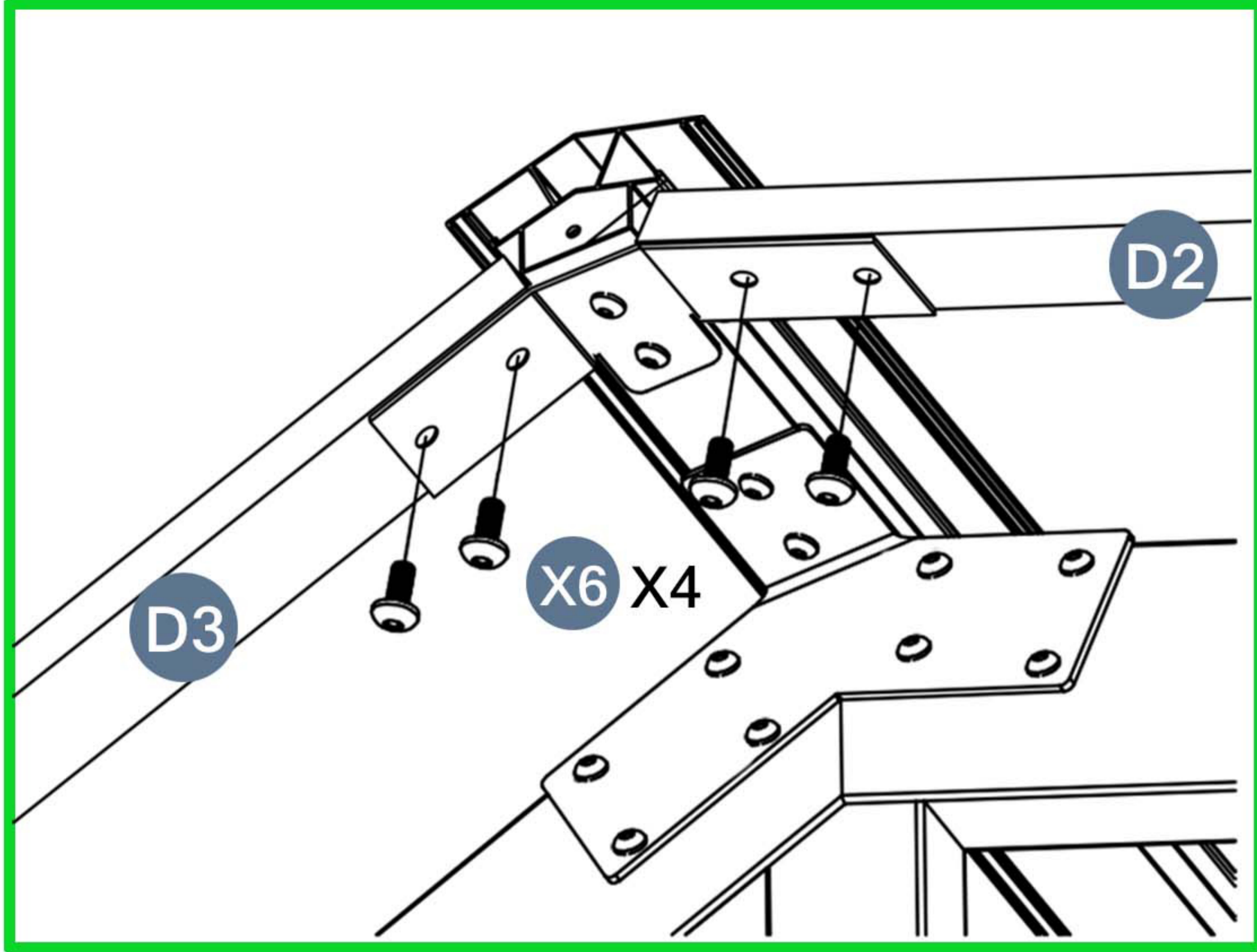
D2 2pcs



D3 2pcs



X6 20pcs

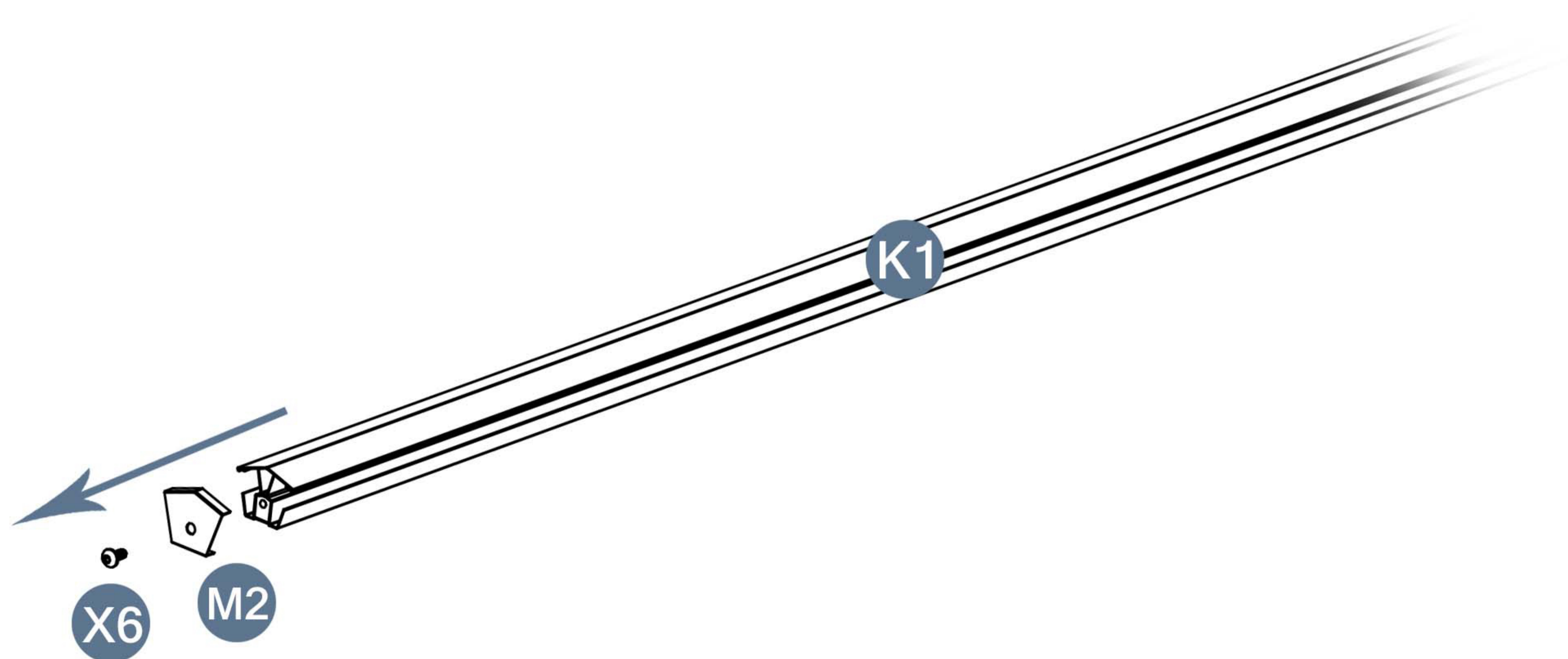


Please take care of the screws and contact the after-sales service if there is any problem with the installation or parts.



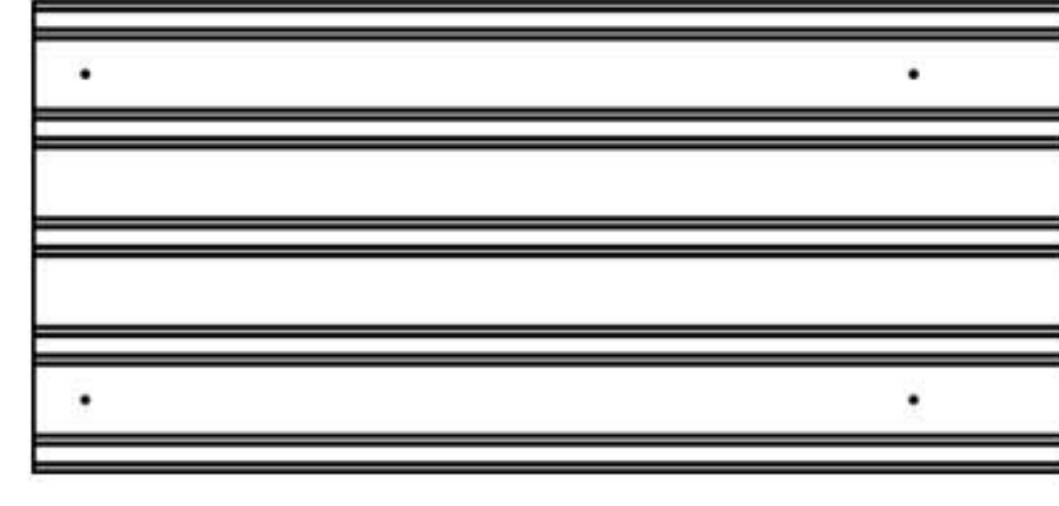
To prevent the loss of M2
we mounted the M2 on top of the K1 ahead of time

Before installing step 15, please remove the 2 M2's
from the part K1. (Reinstall them during step 17) .



STEP 15

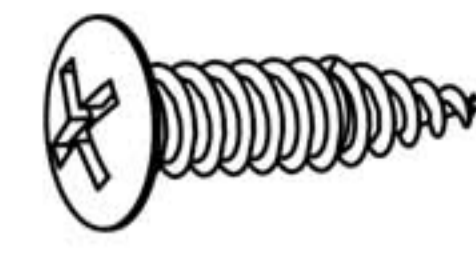
Parts required



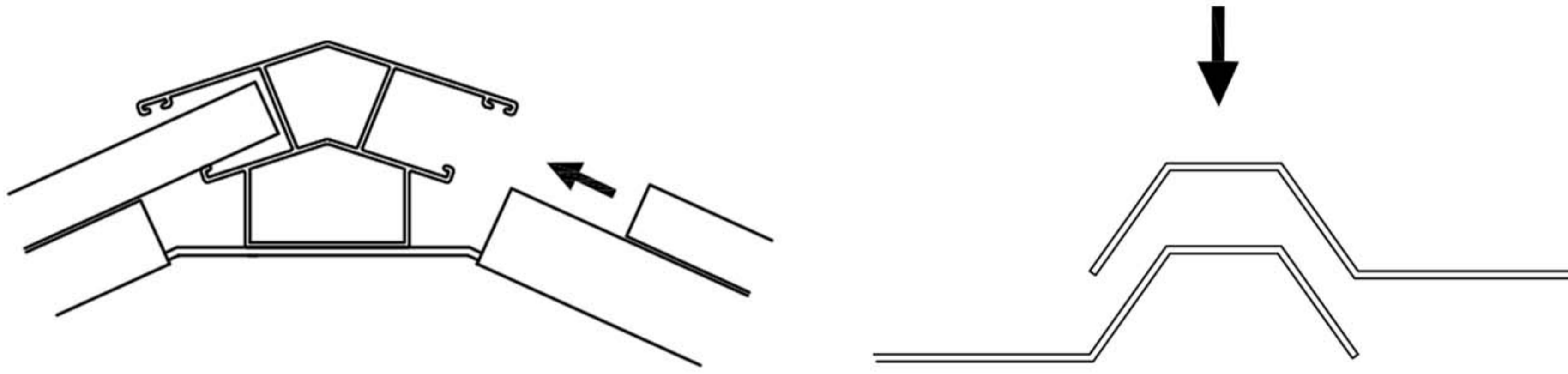
N 20pcs



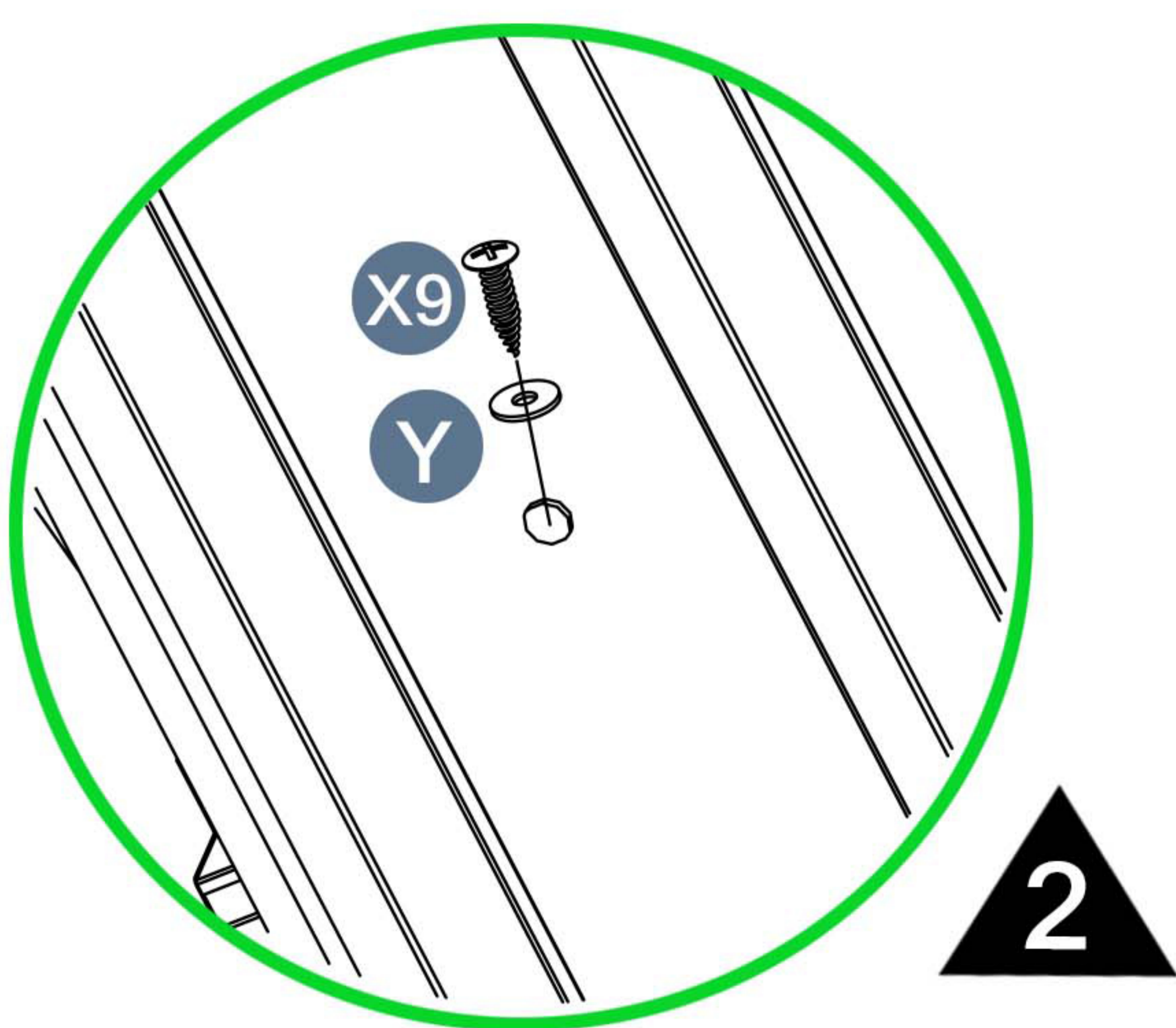
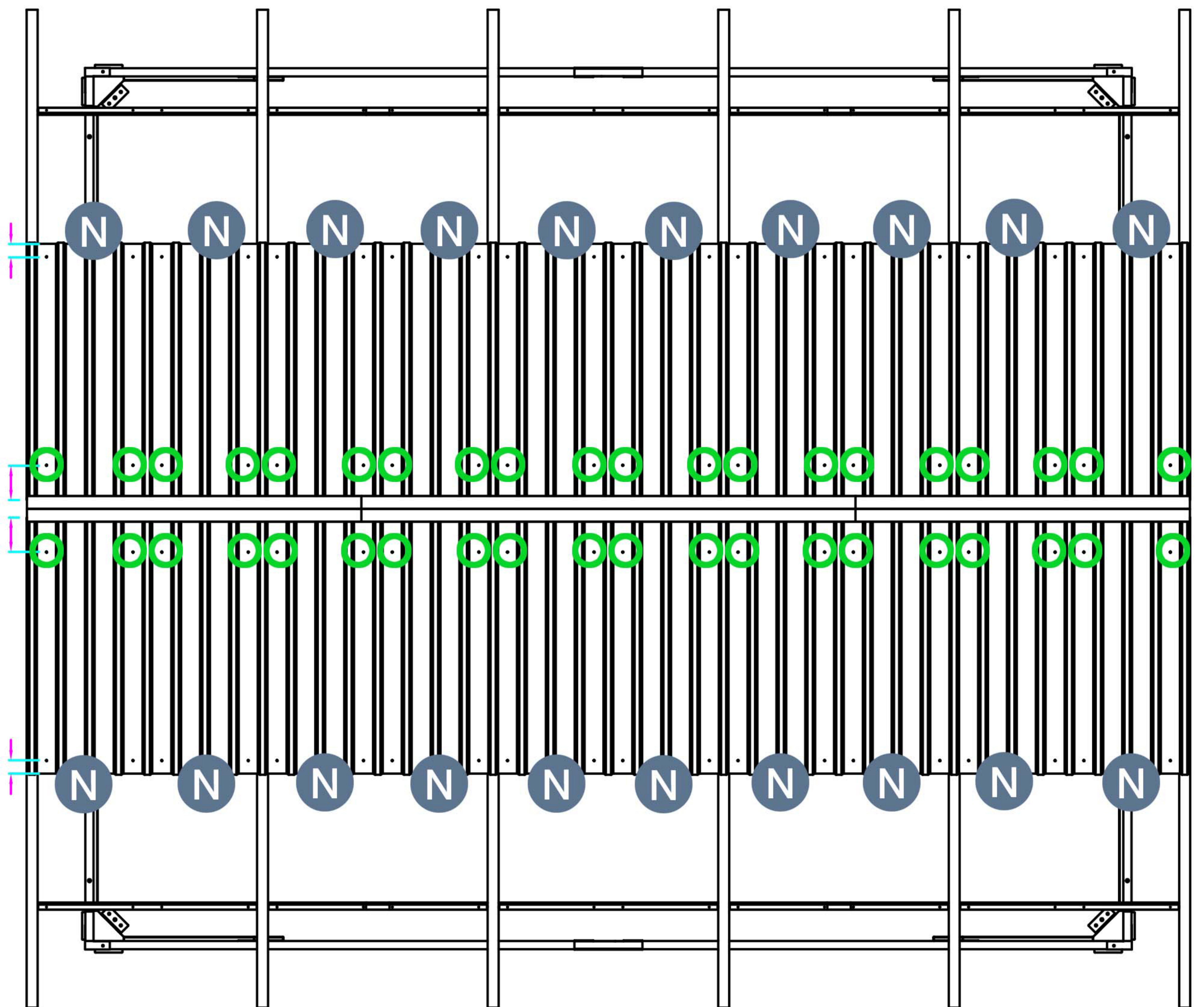
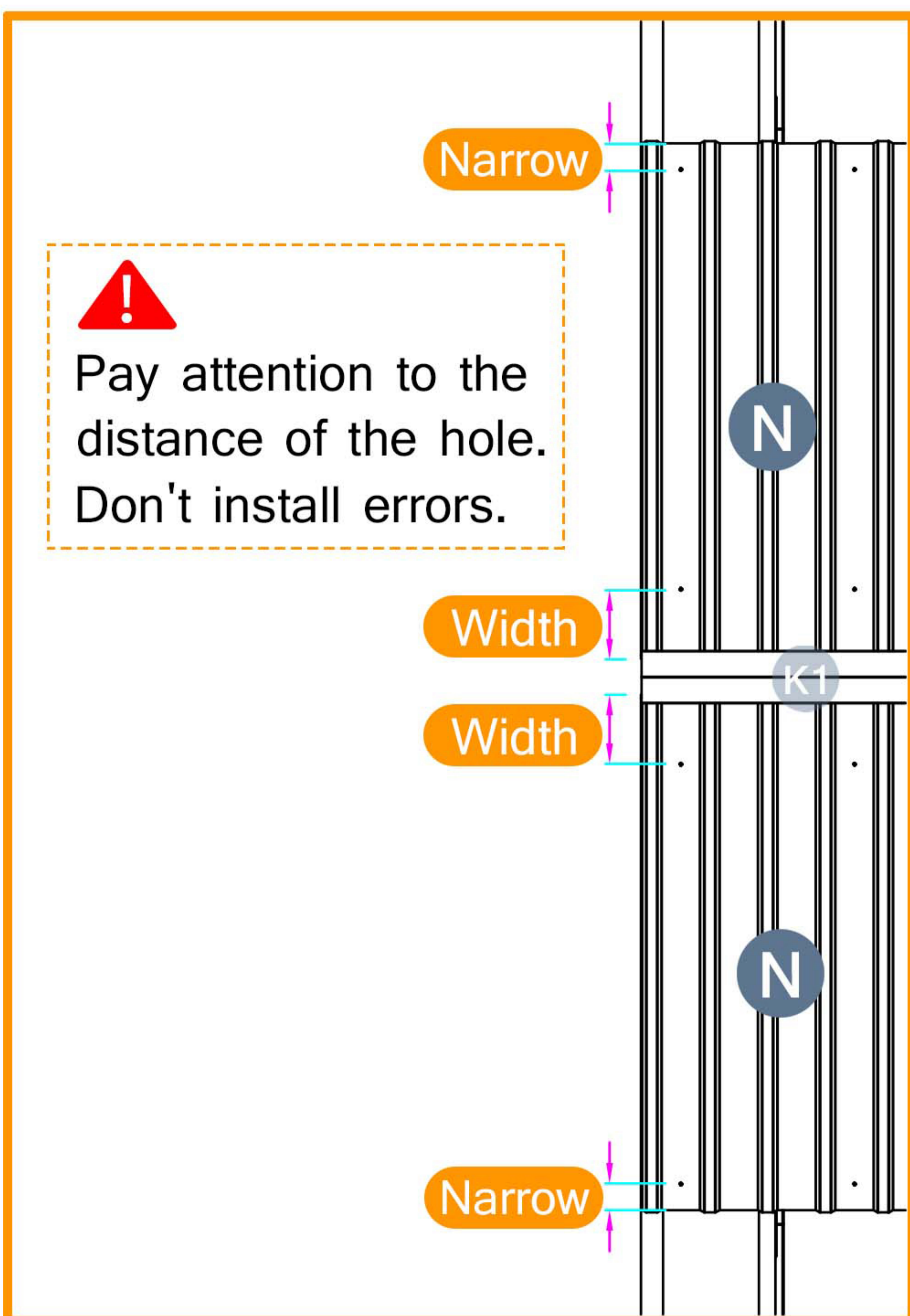
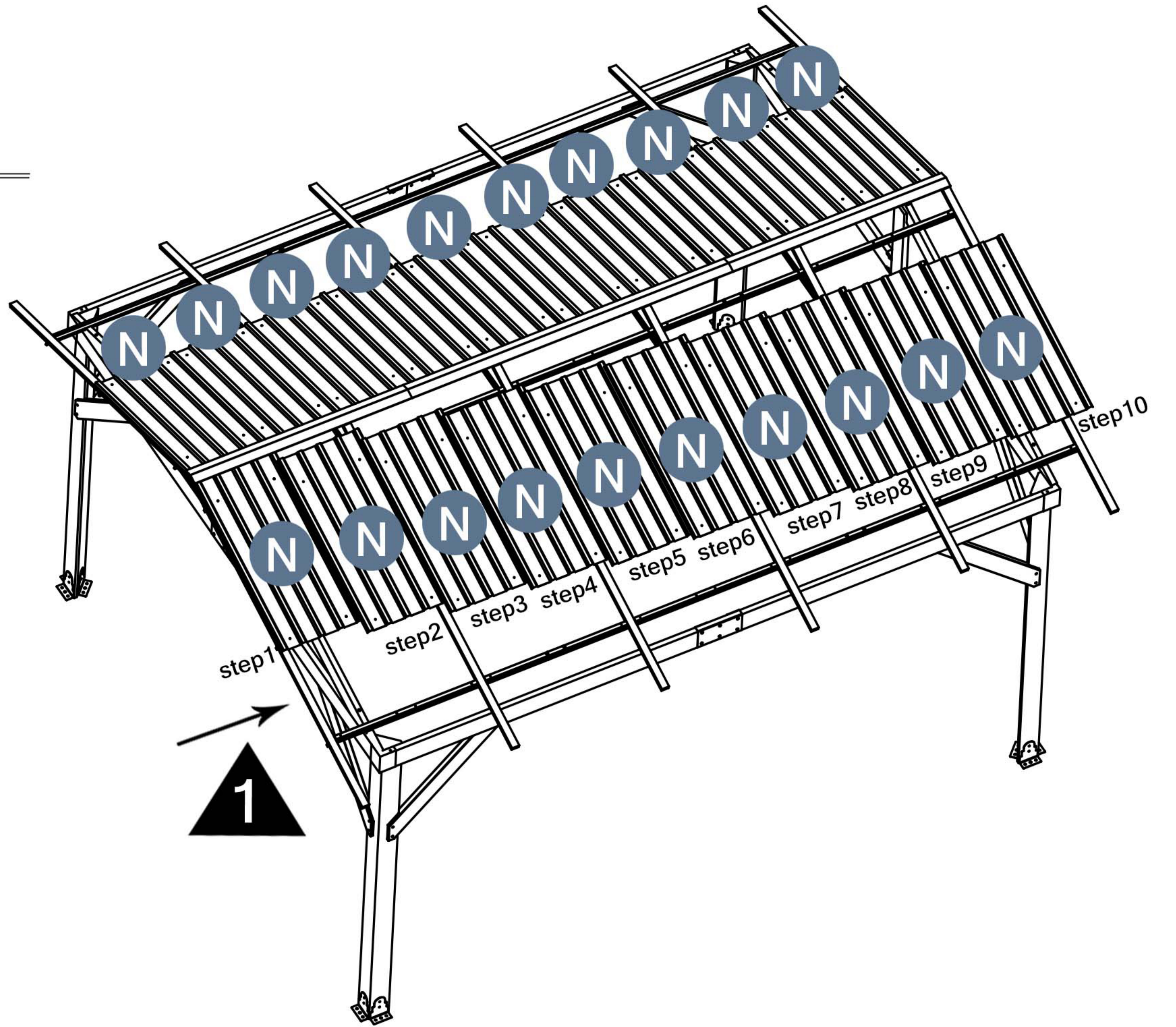
Y 40pcs



X9 40pcs



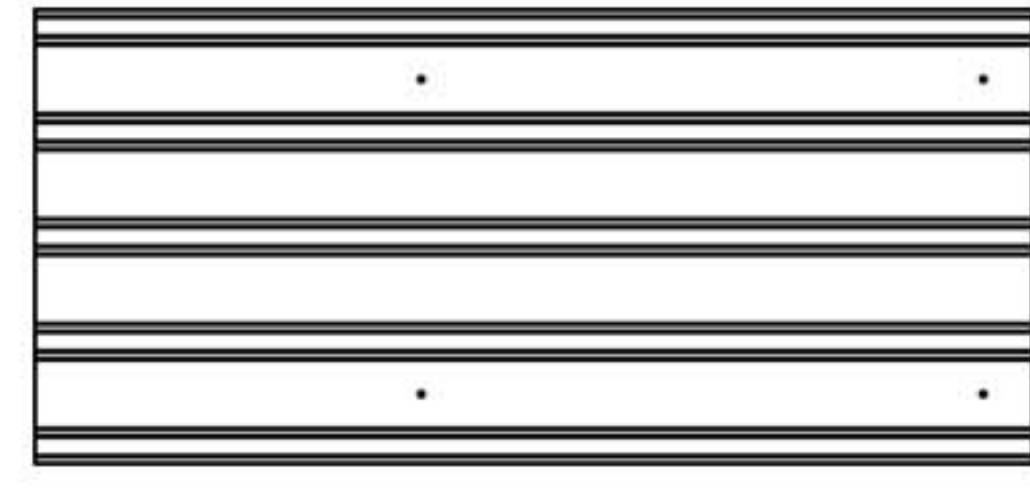
• Side view



Please take care of the screws and contact the after-sales service if there is any problem with the installation or parts.

STEP 16

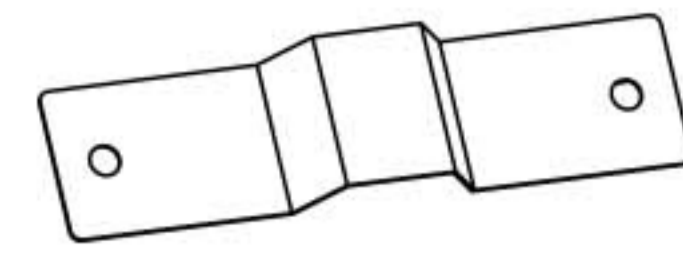
Parts required



N1 20pcs



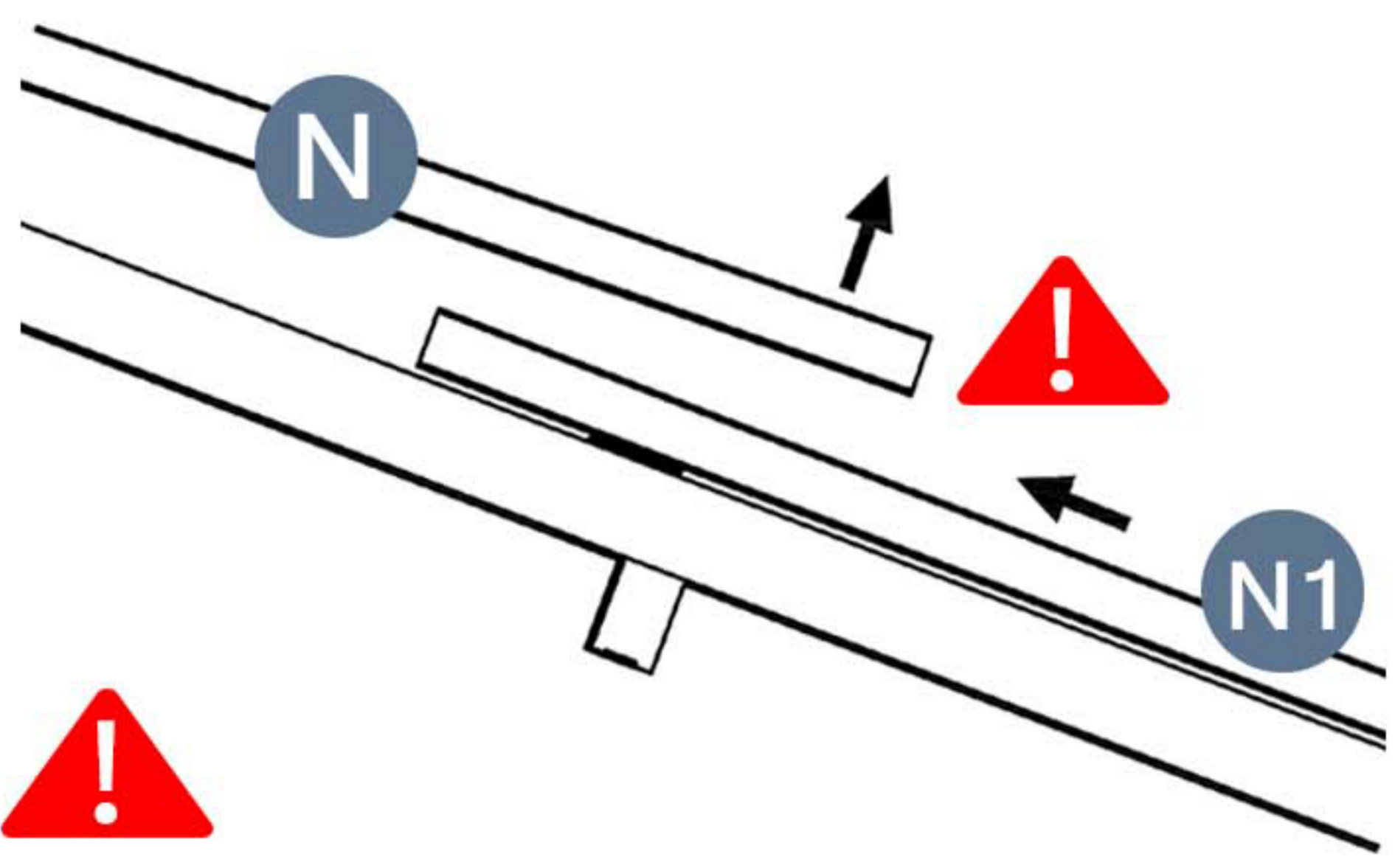
X9 80pcs



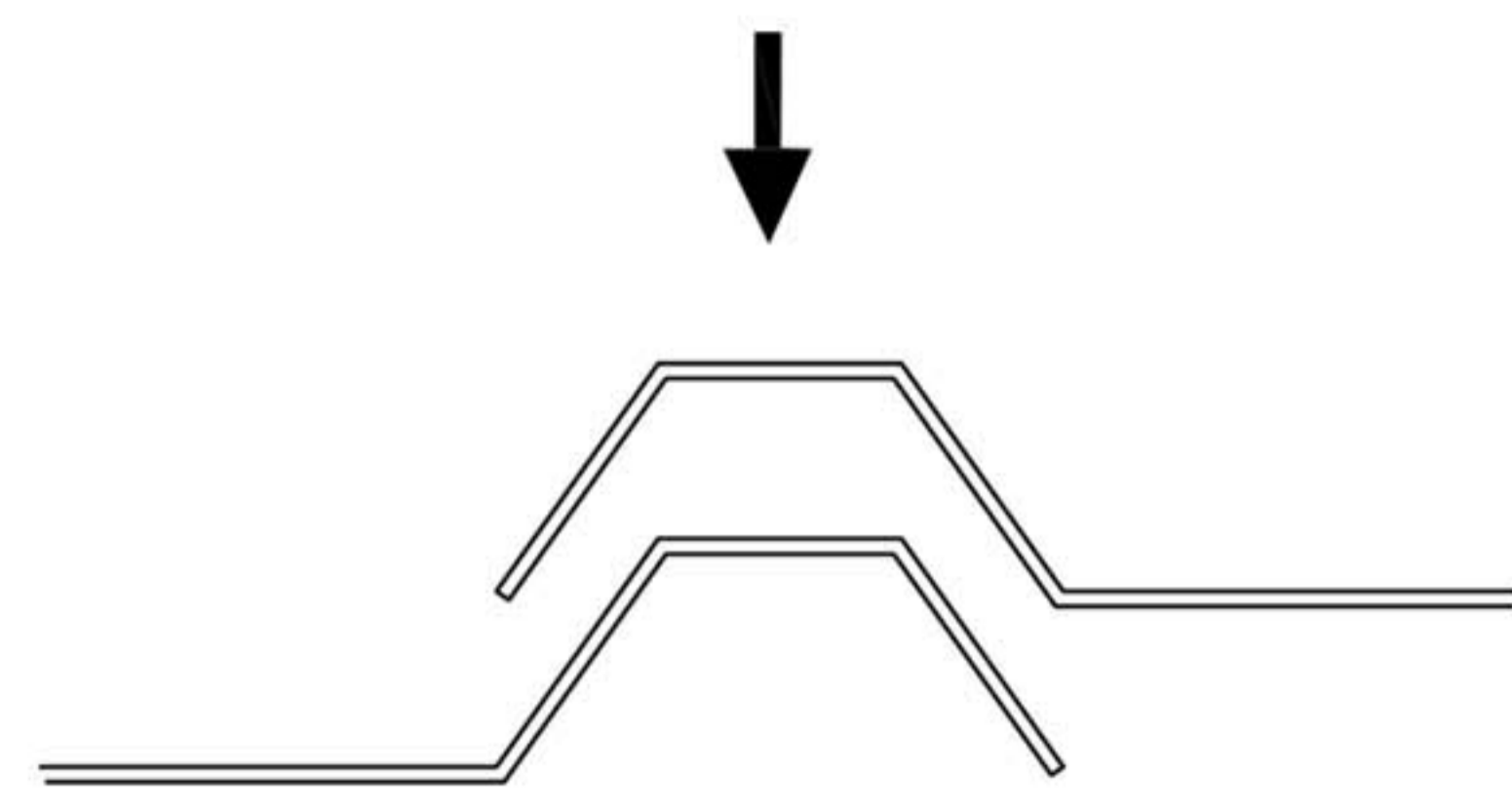
M1 18pcs



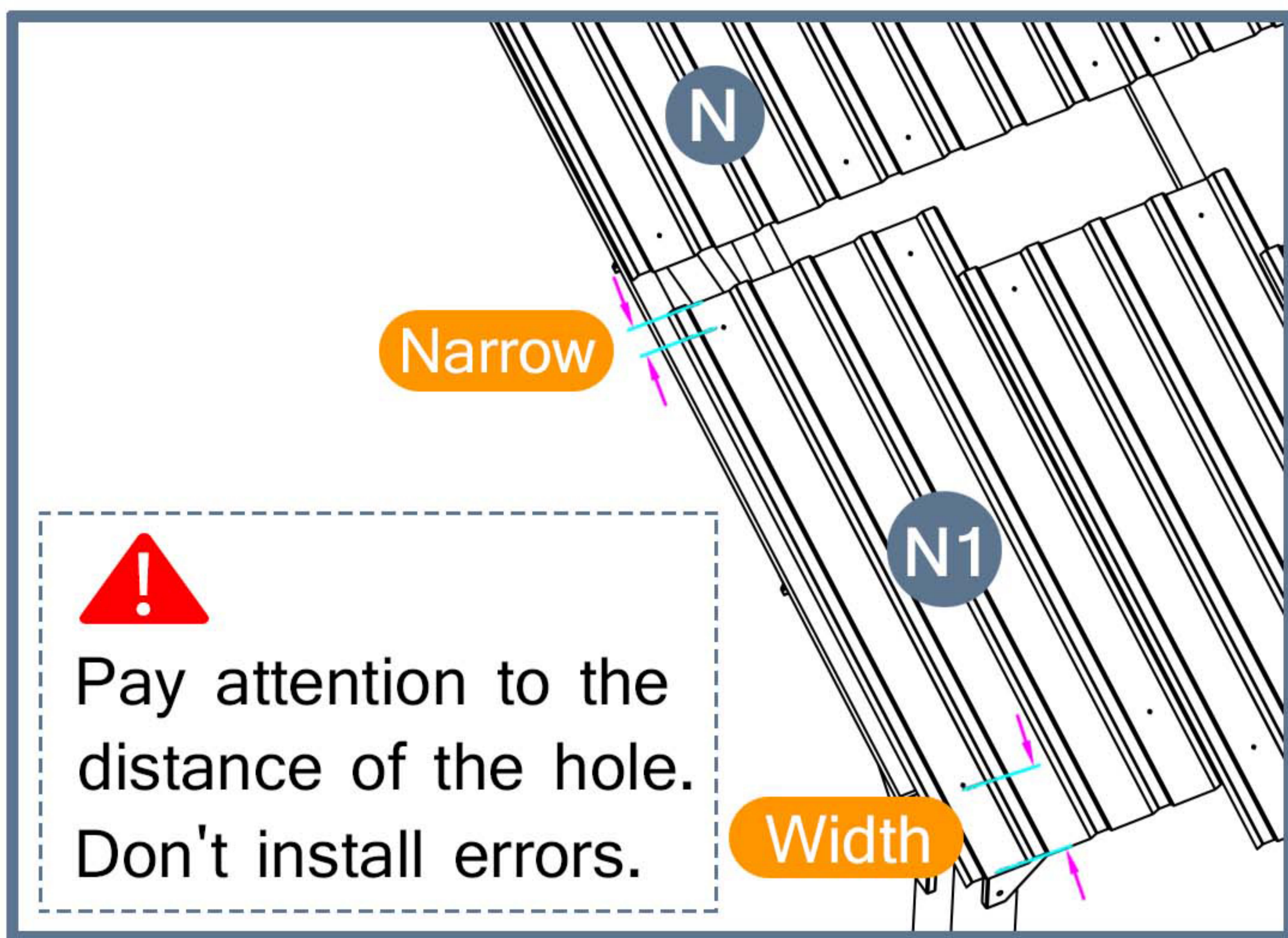
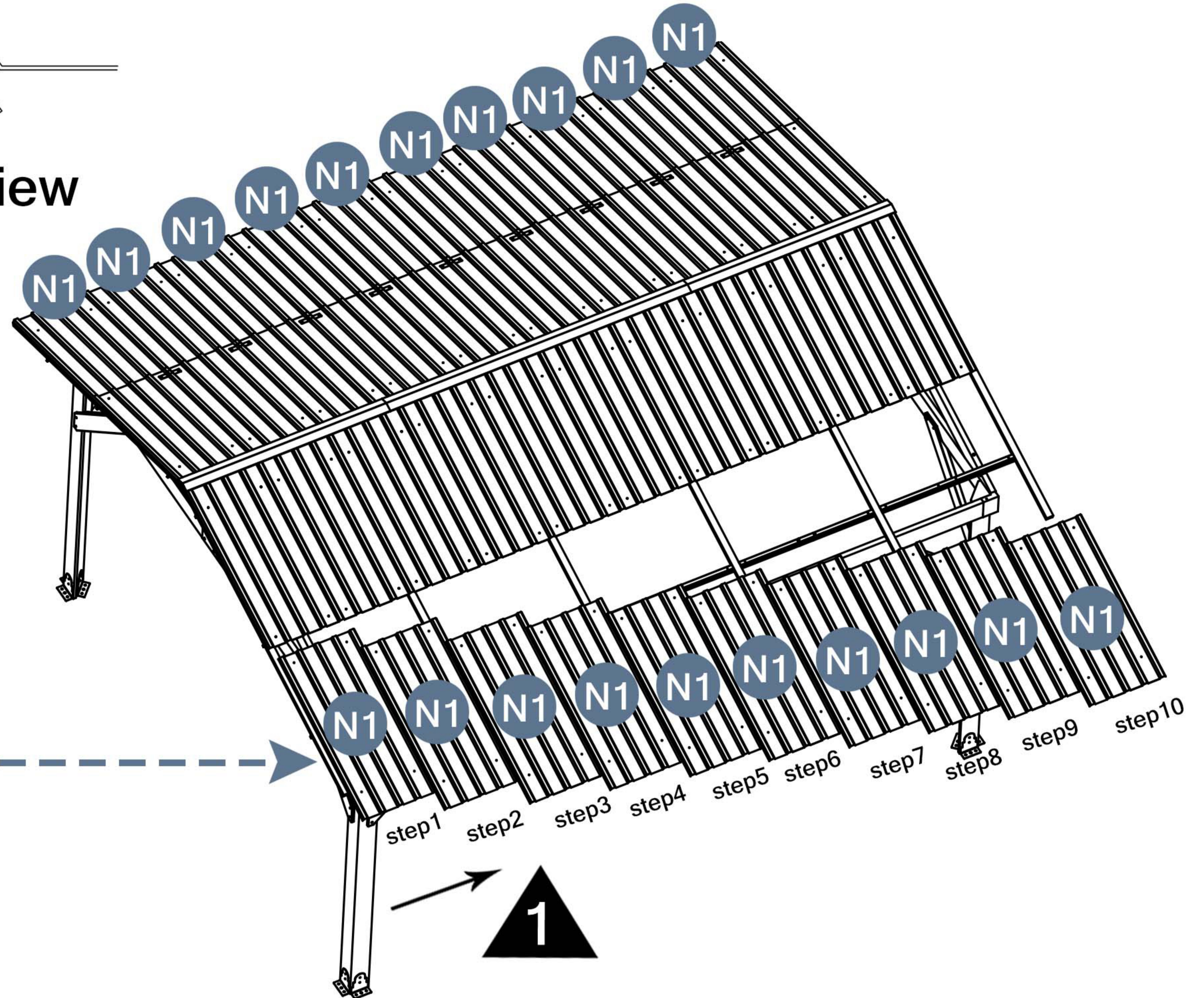
Y 80pcs



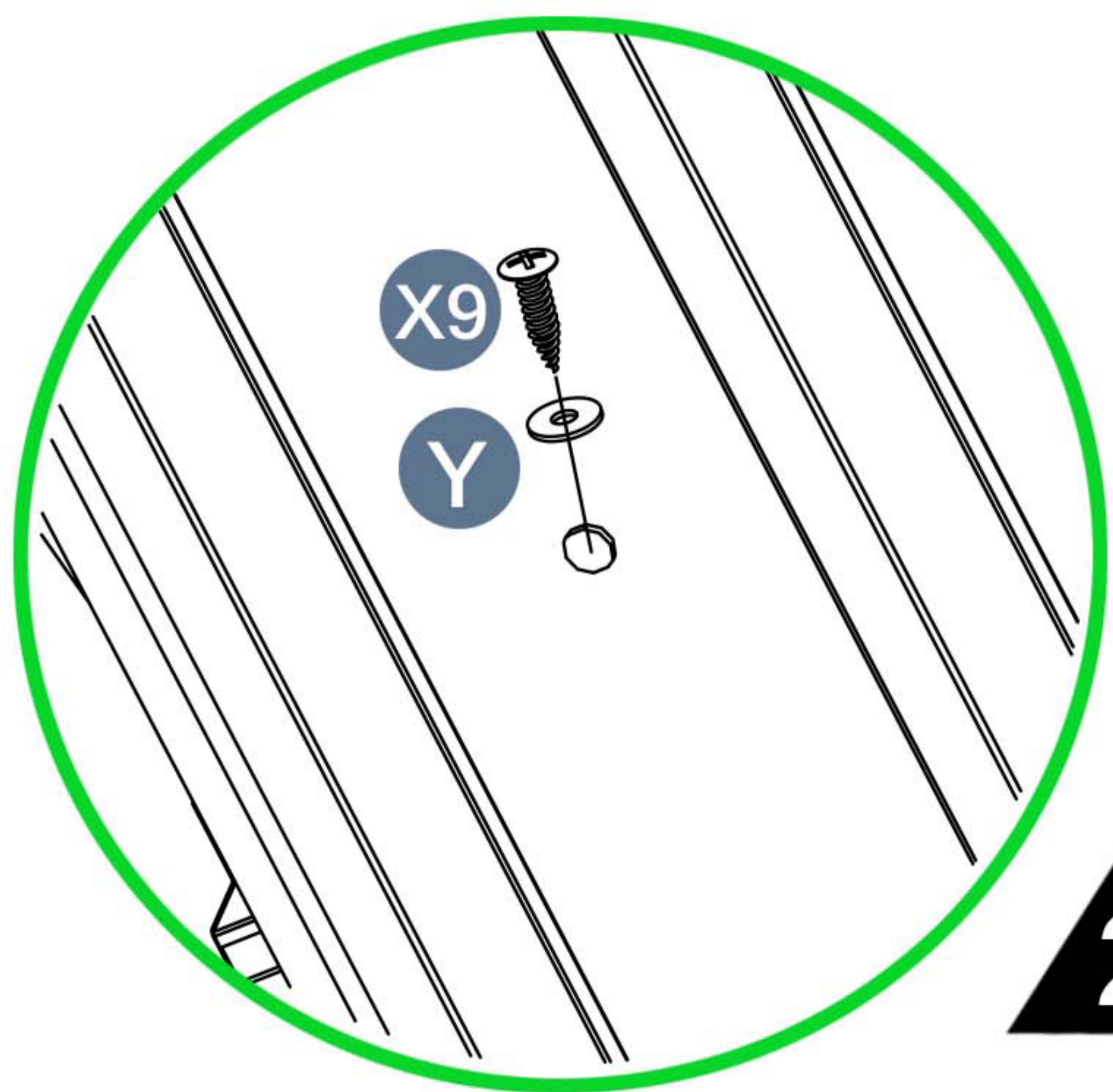
Note that N1 is placed below N.



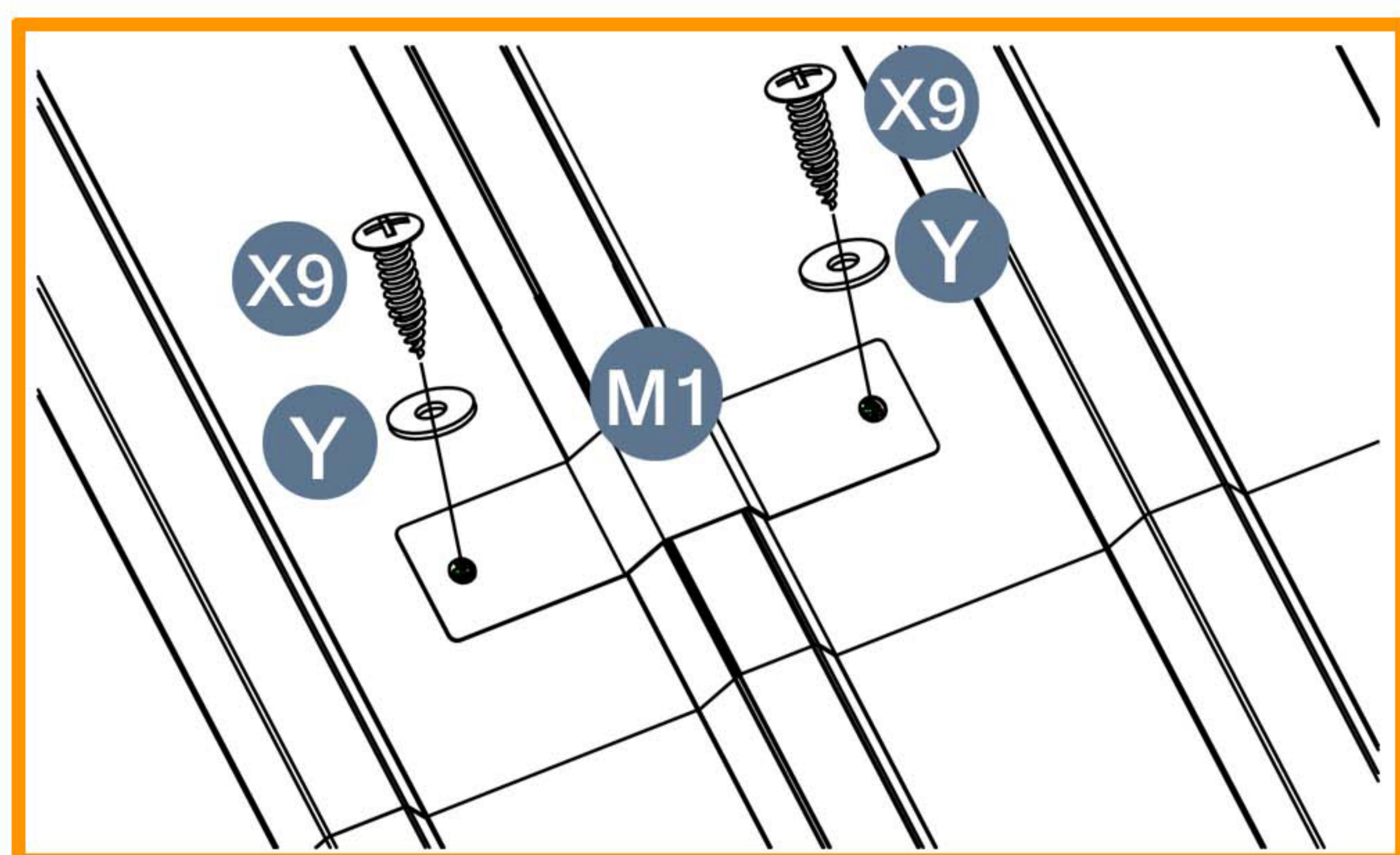
• Side view



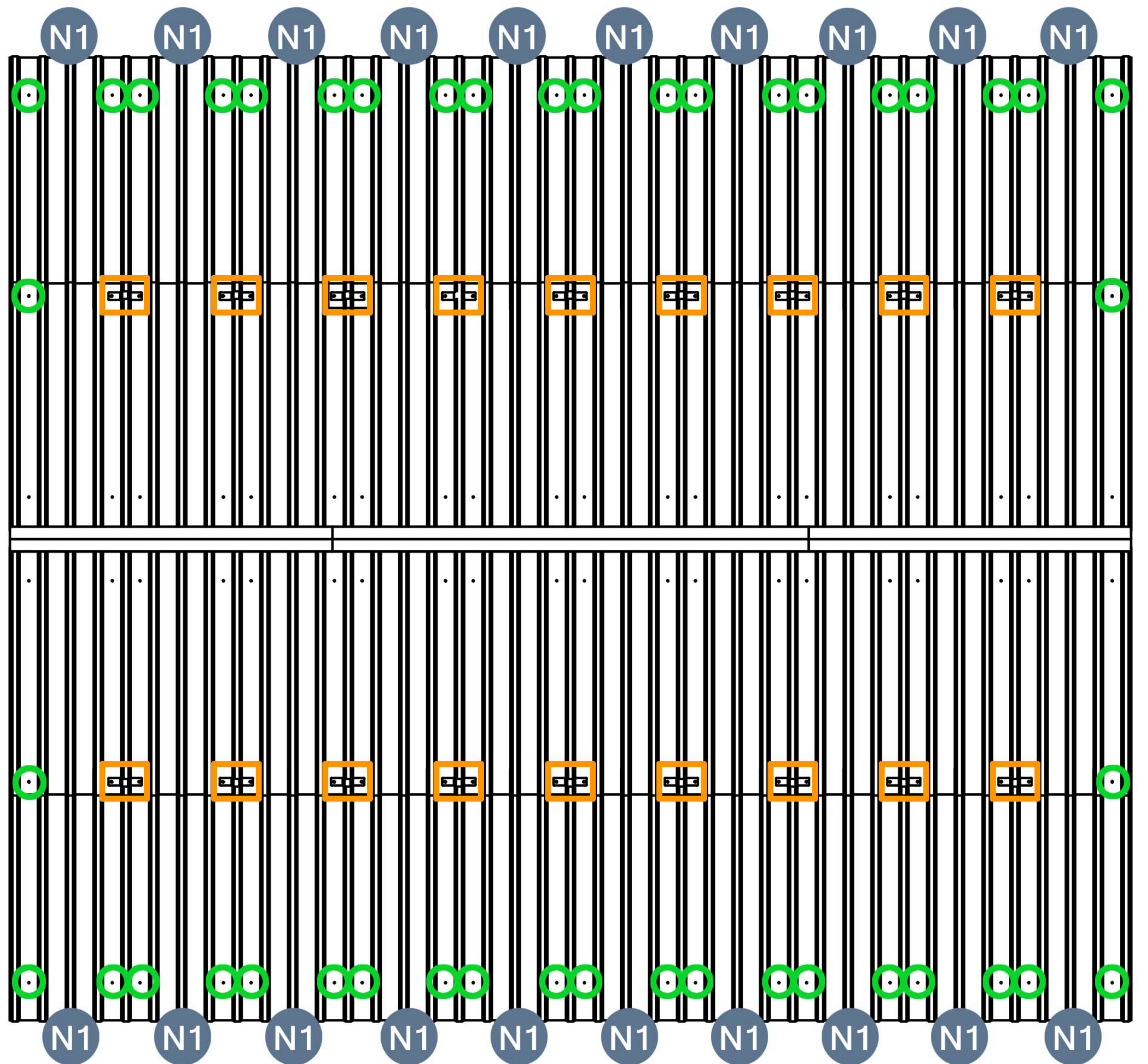
Pay attention to the distance of the hole. Don't install errors.



2



3



Please take care of the screws and contact the after-sales service if there is any problem with the installation or parts.

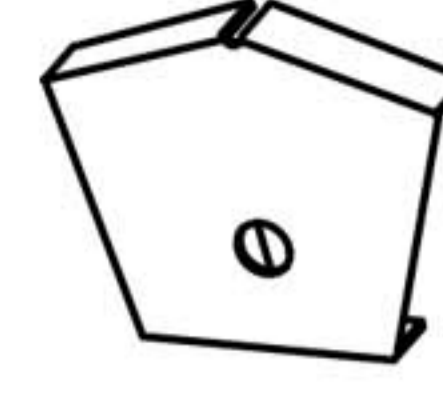
➔ E-mail: cs.helper01@gmail.com

STEP 17

Parts required



G 4pcs

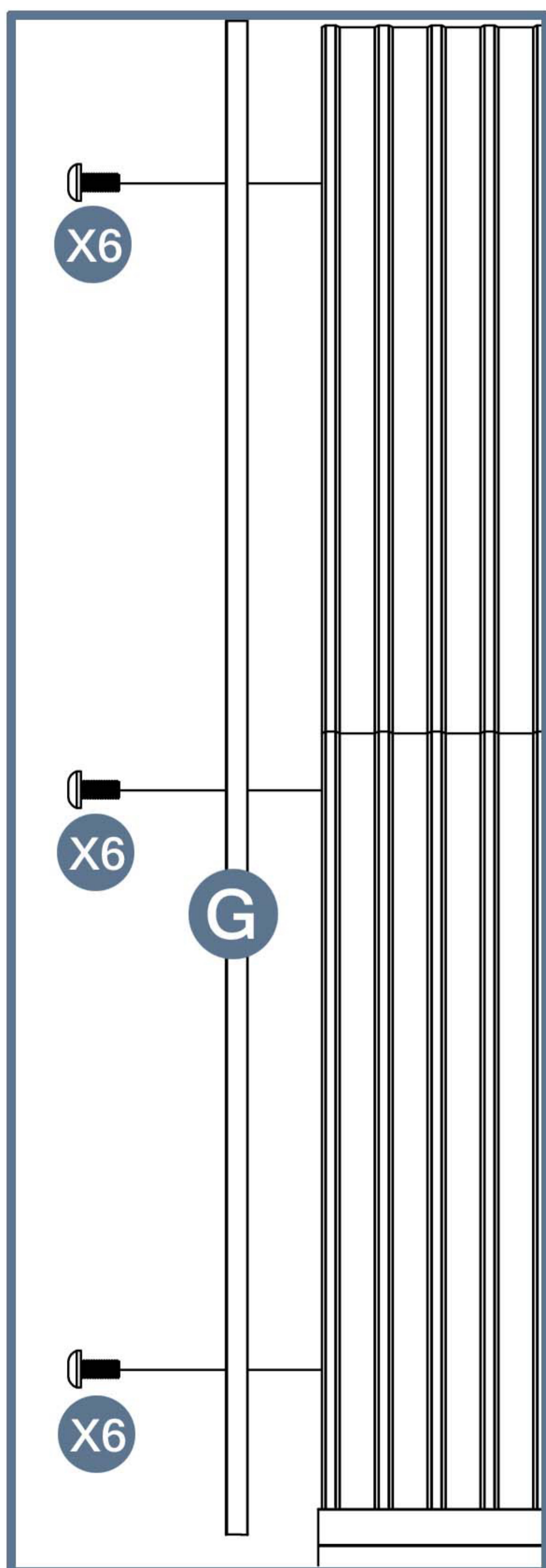
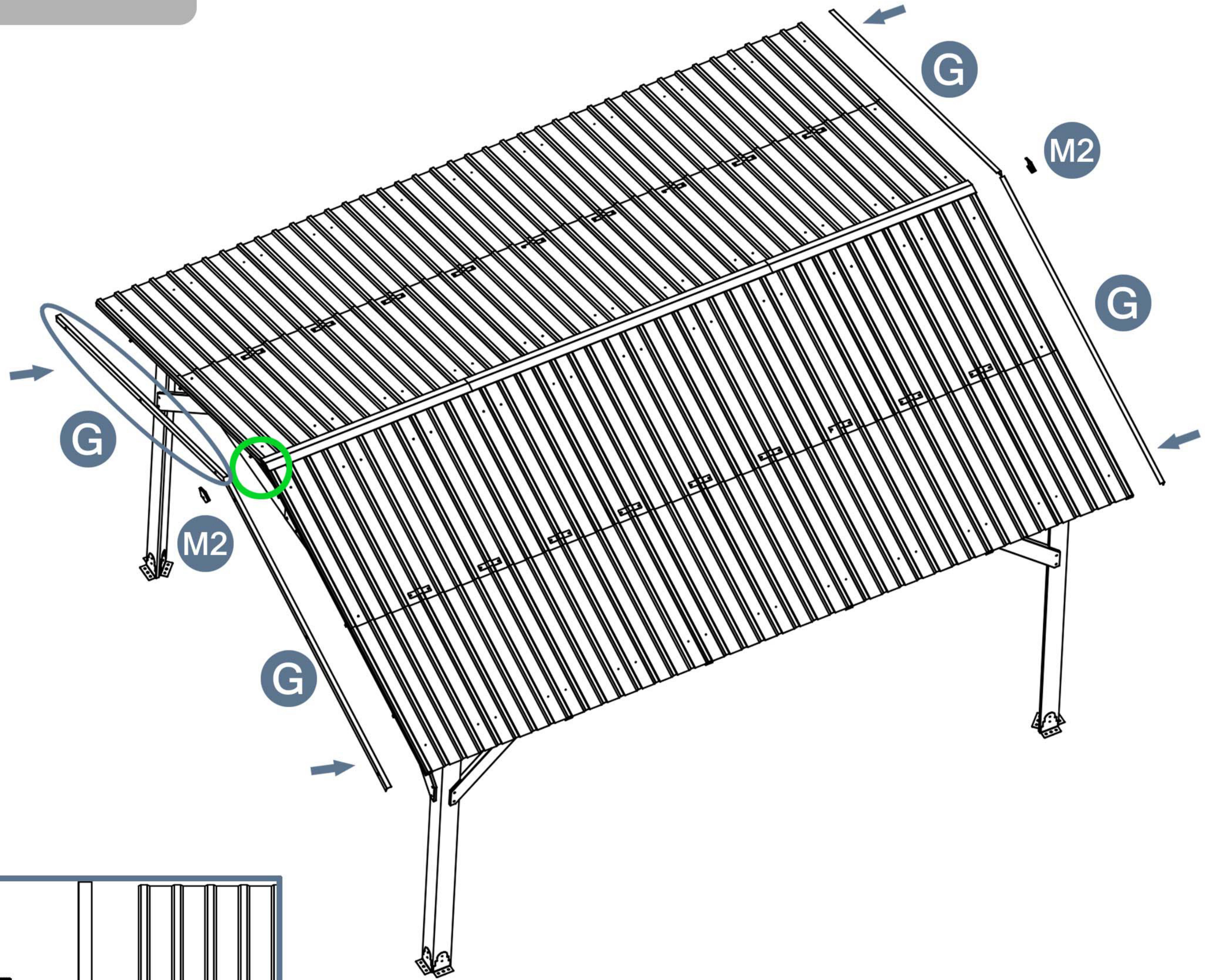


M2 2pcs

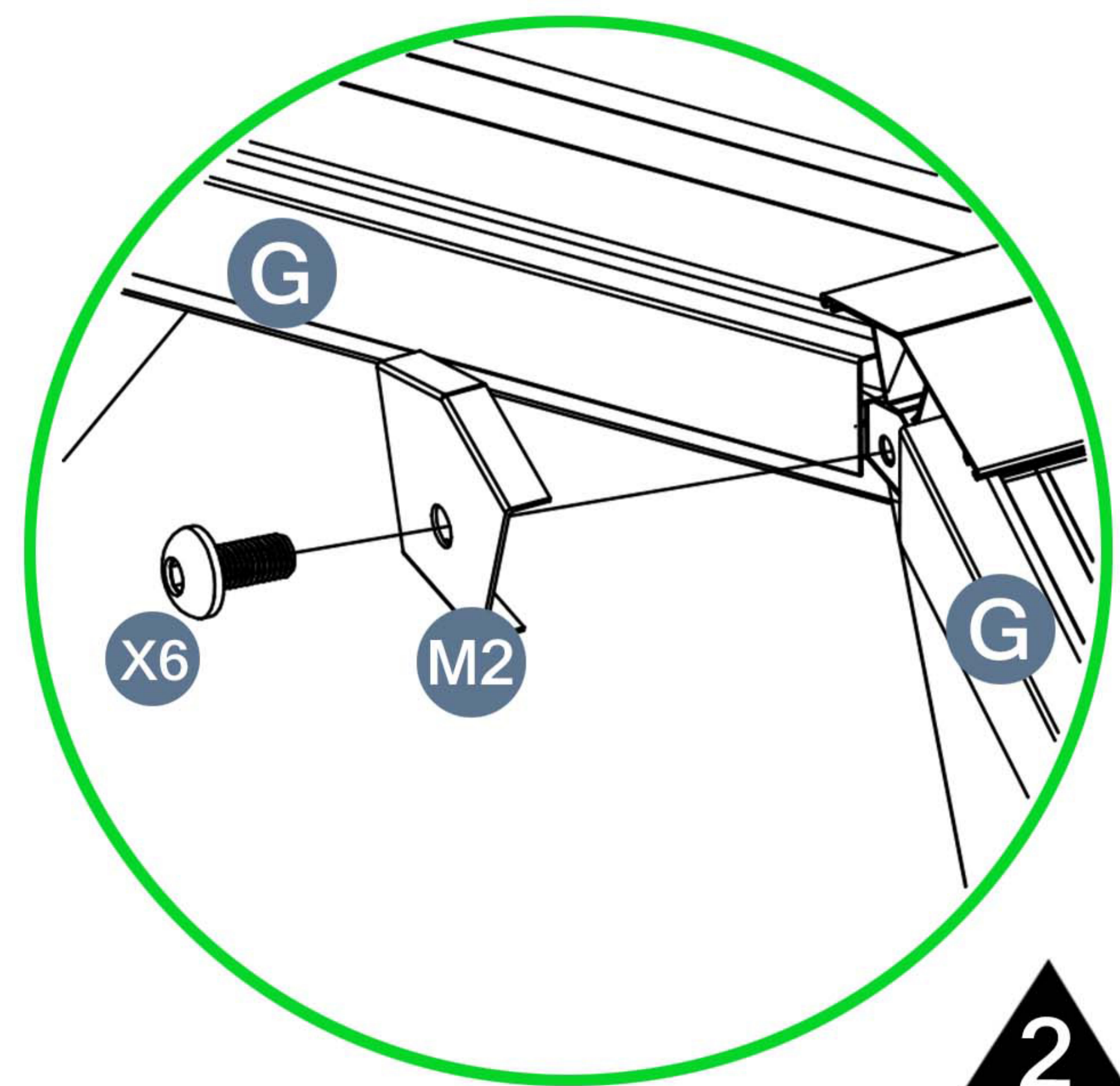


X6 14pcs

1 → 2

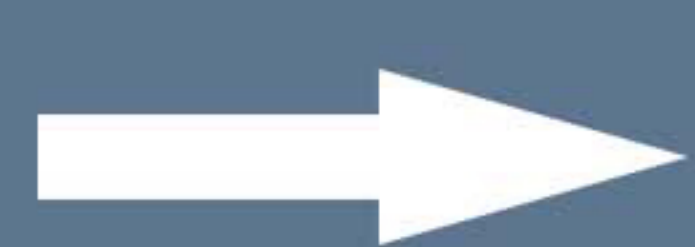


1



2

Please take care of the screws and contact the after-sales service if there is any problem with the installation or parts.



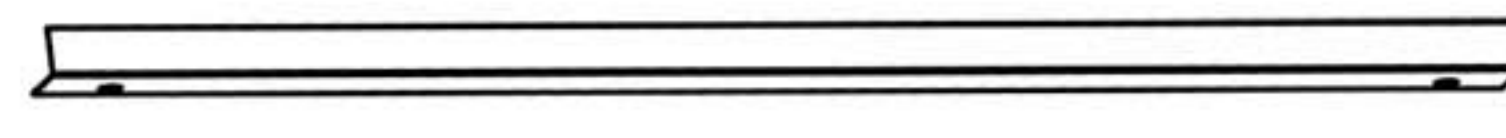
E-mail: cs.helper01@gmail.com

STEP 18

Parts required



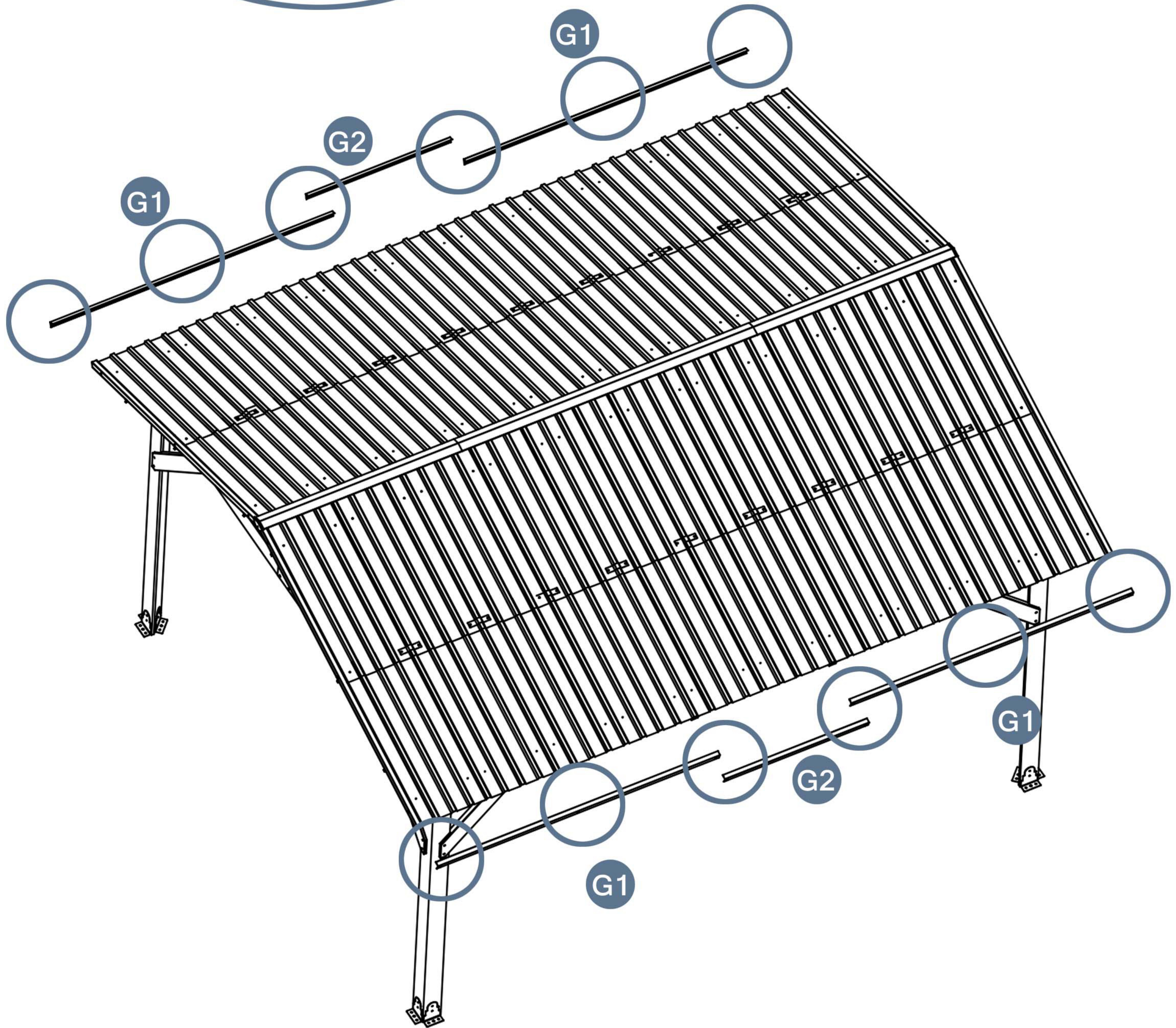
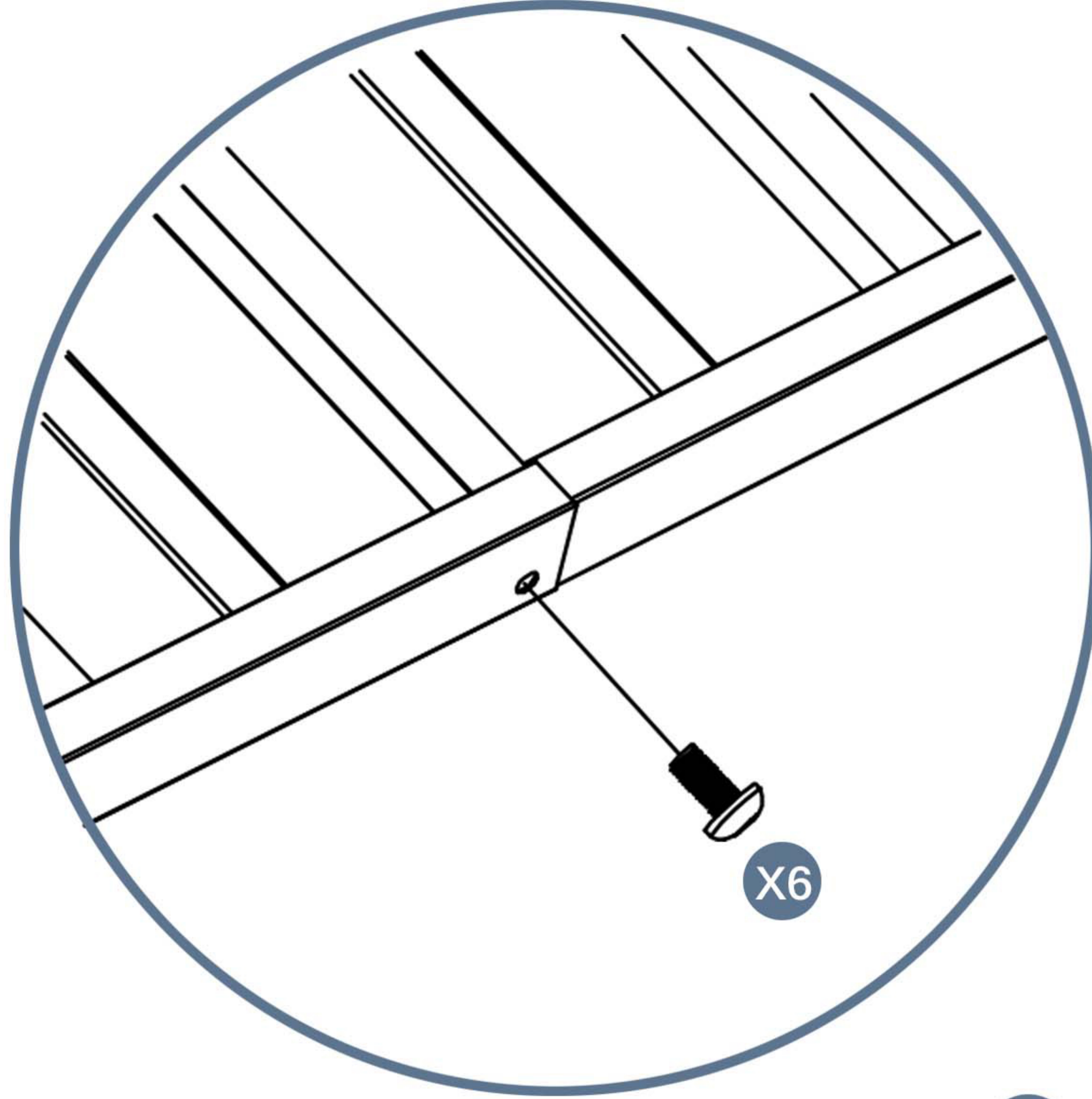
G1 4pcs



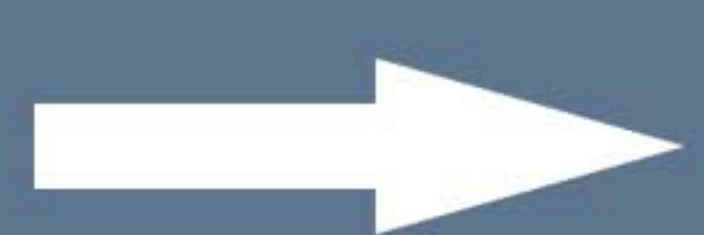
G2 2pcs



X6 12pcs



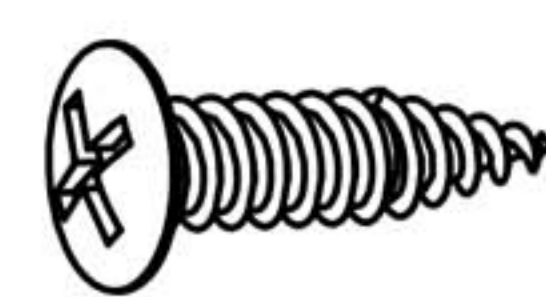
Please take care of the screws and contact the after-sales service if there is any problem with the installation or parts.



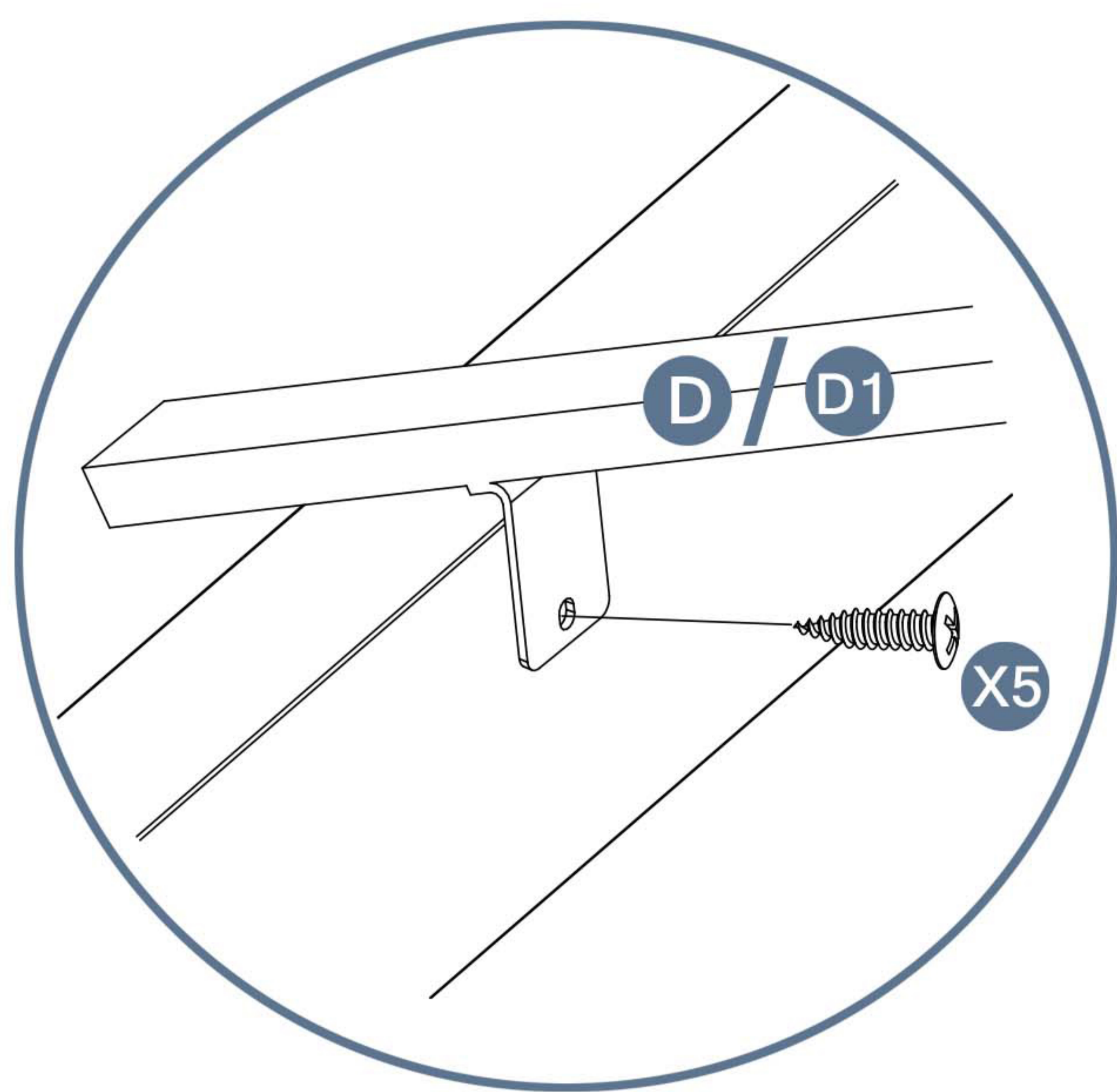
E-mail: cs.helper01@gmail.com

STEP 19

Parts required

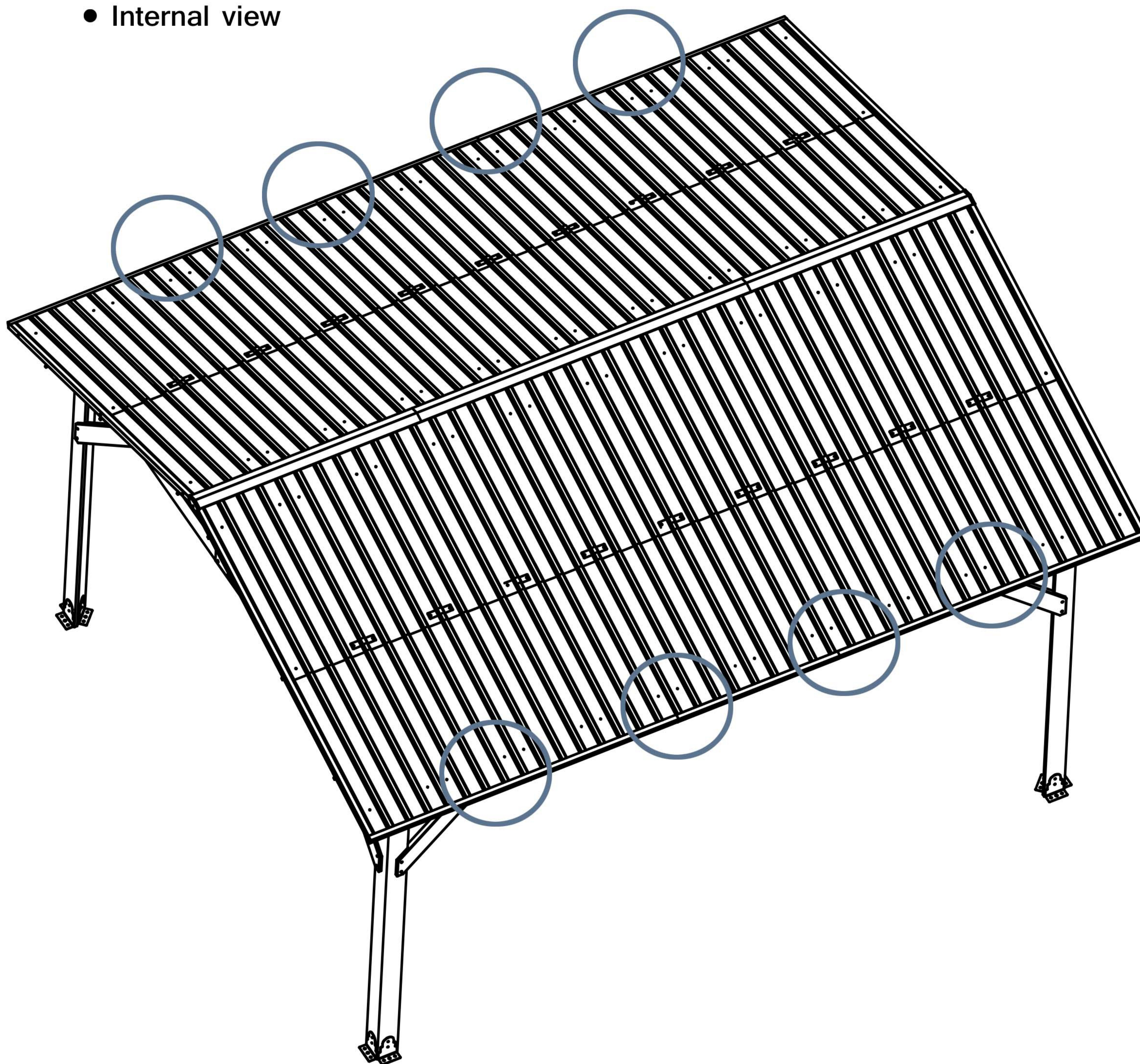


X5 8pcs



Adjust the appropriate position, and then install the screw.

• Internal view



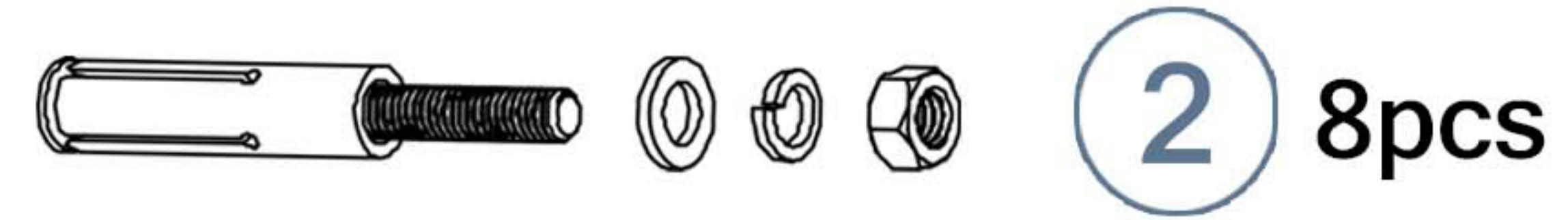
Please take care of the screws and contact the after-sales service if there is any problem with the installation or parts.



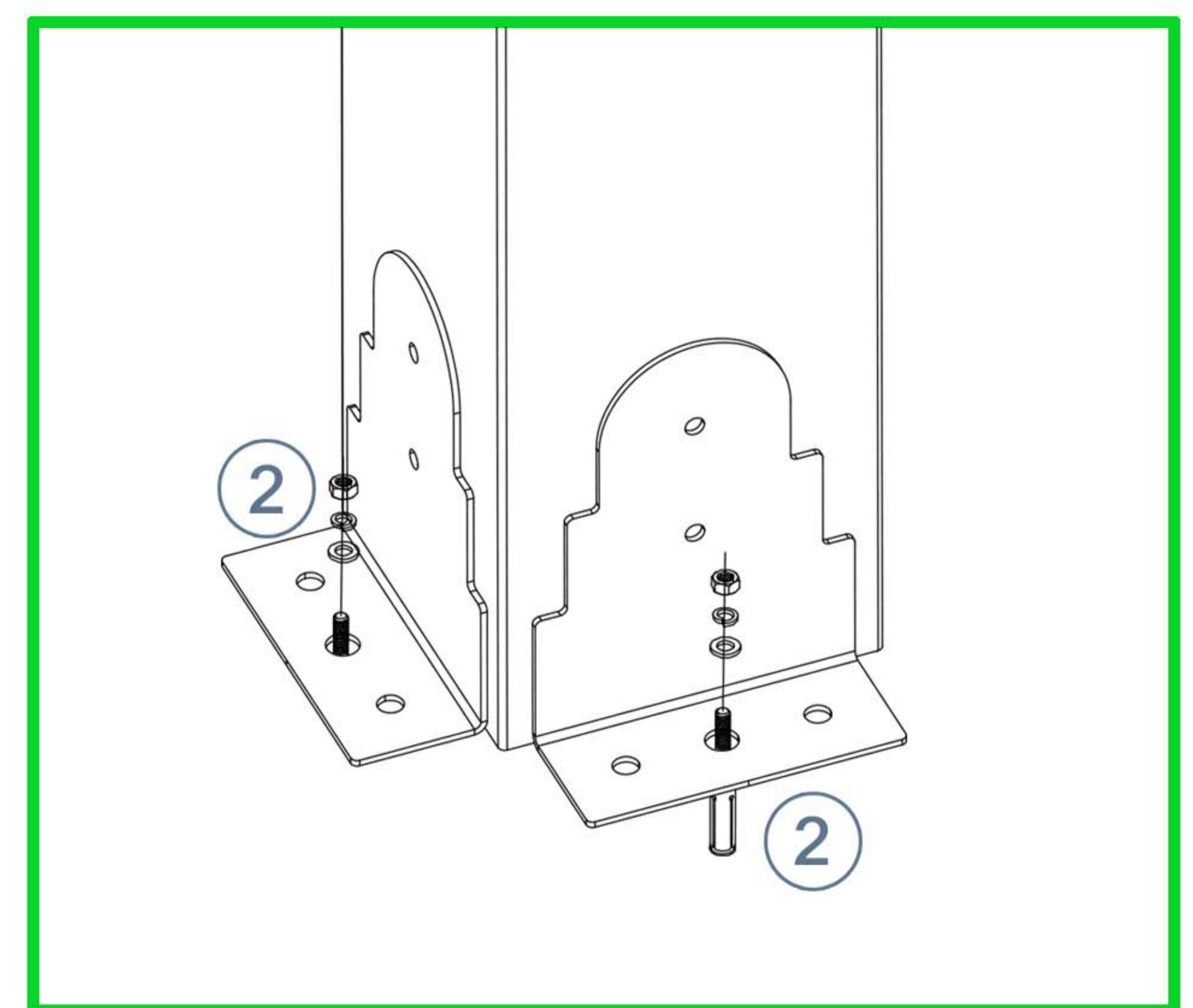
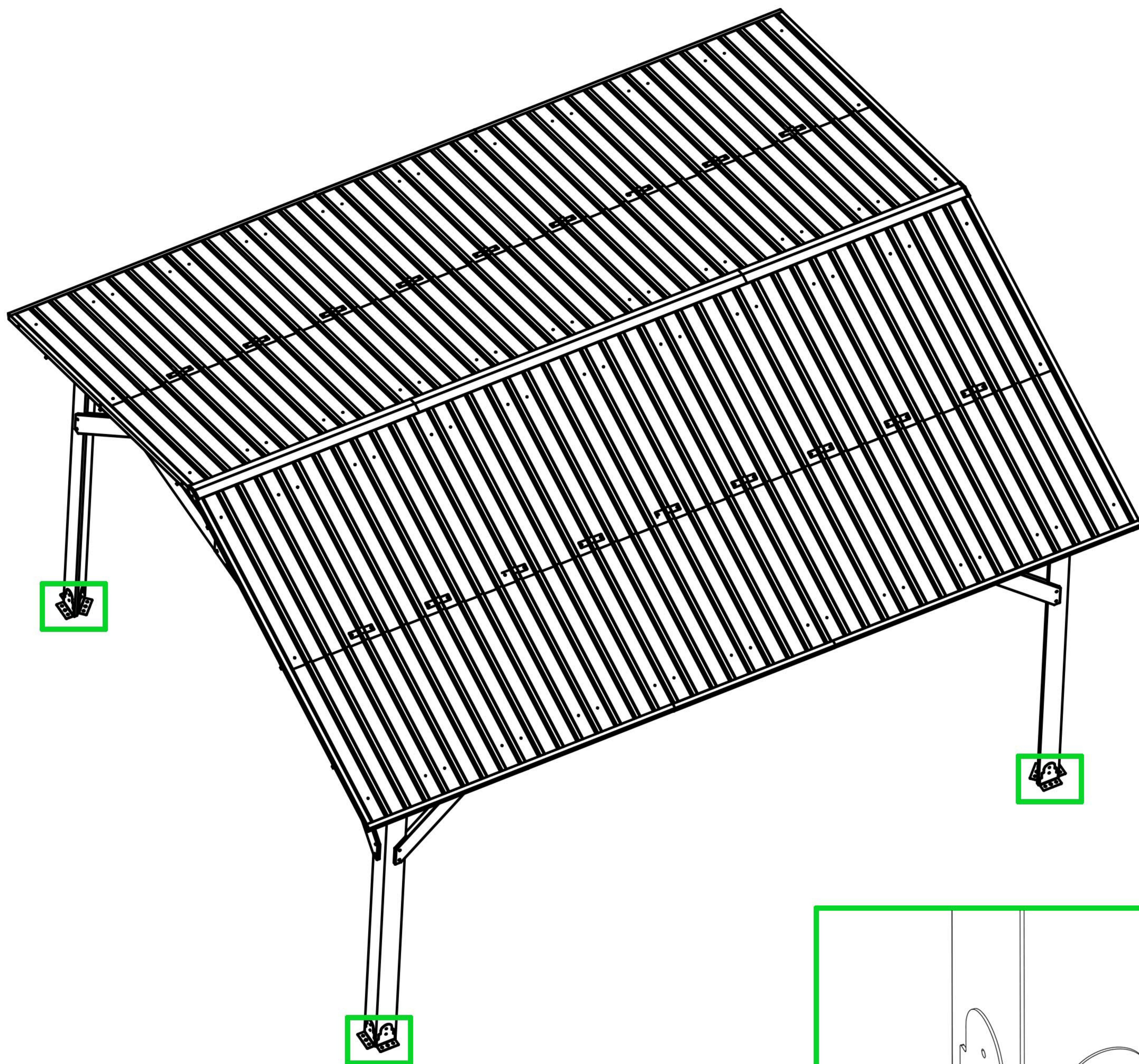
E-mail: cs.helper01@gmail.com

STEP 20

Parts required



To improve stability of gazebo, expansion screws very necessary. Expansion screws use for cement surfaces and have included in the package.



!!! For safety's stake, please check and make sure that all screws are tightened after all installation is complete.

Installation Completed

Please take care of the screws and contact the after-sales service if there is any problem with the installation or parts.

➔ ✉ E-mail: cs.helper01@gmail.com

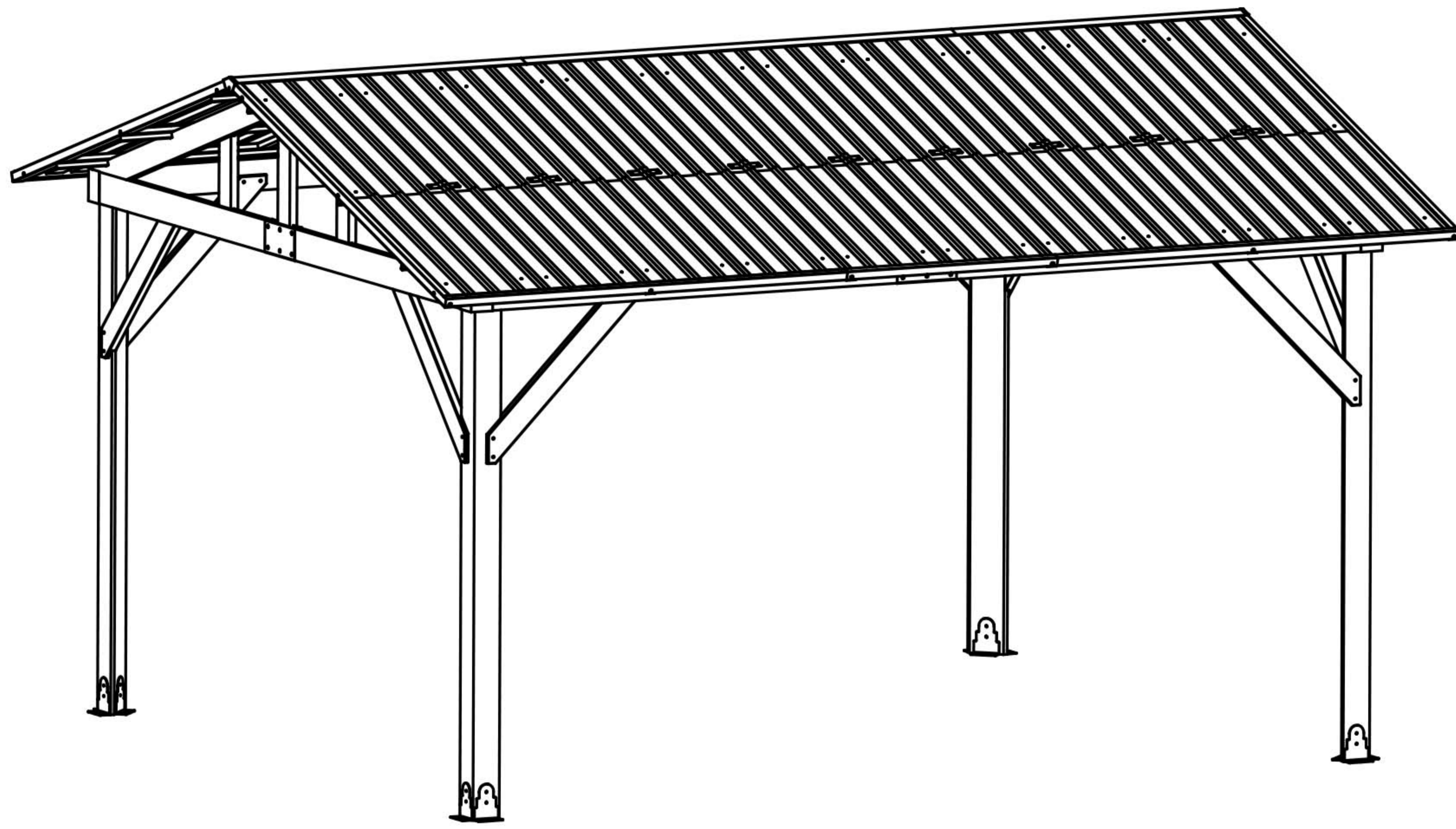
Hope you enjoy this product.

If you have any concerns about gazebo Installation, please feel free to contact us. We will reply within 24 hours.



E-mail: cs.helper01@gmail.com

12X14FT



SKU:C001G067V2-1
C001G067V2-2
C001G067V2-3
C001G067V2-4