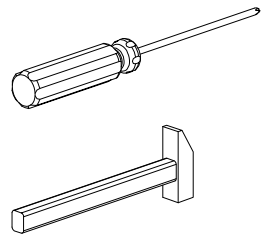
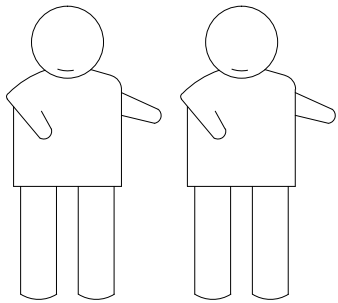
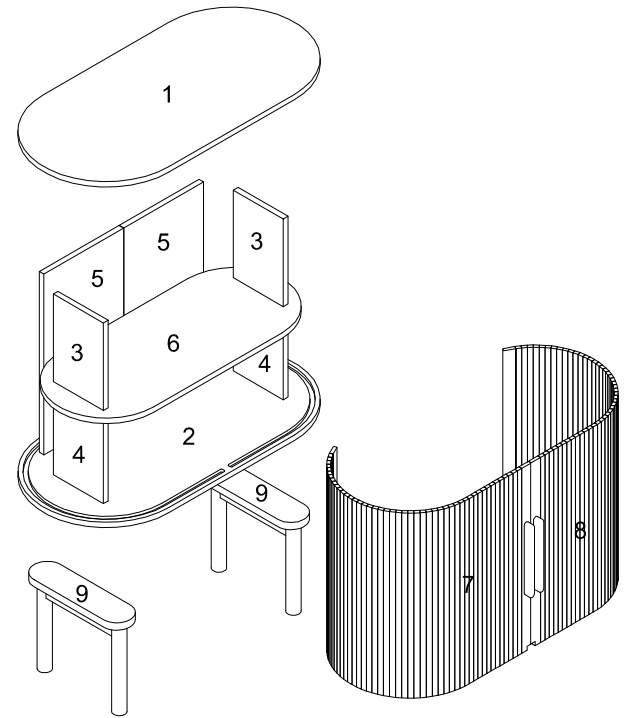
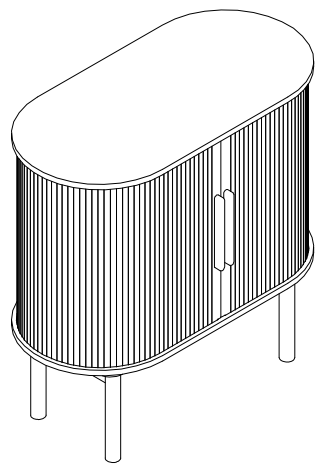


ASSEMBLY INSTRUCTION

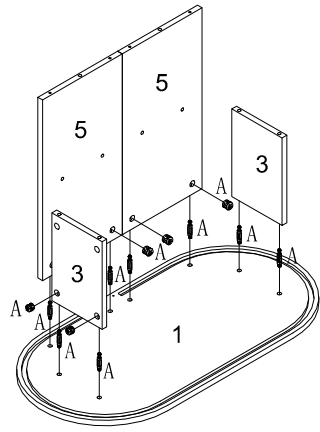


A=16		φ15	I=4		φ20
B=4		φ8*30	J=1		
C=4		φ4*14			
D=12		M6*50			
E=2		200*20			
F=1		M4			
G=8		φ6*30			
H=8		φ16			



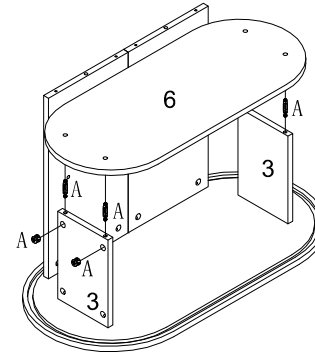
STEP:1

A=8



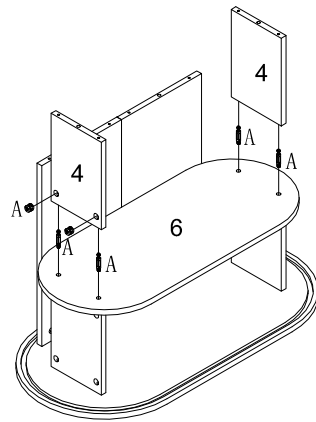
STEP:2

A=4



STEP:3

A=4

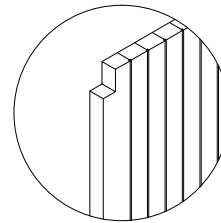


STEP:4

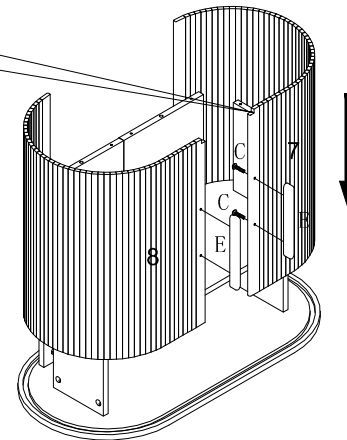
C=4



E=2



This side up.



STEP:5

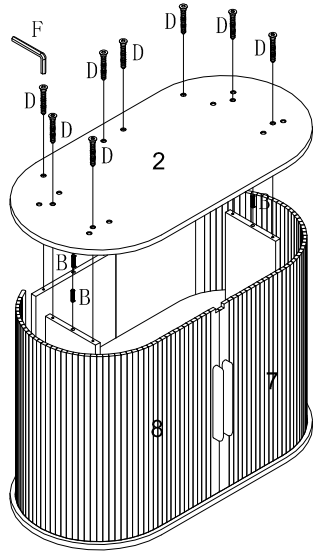
B=4



D=8



F=1



STEP:6

G=8



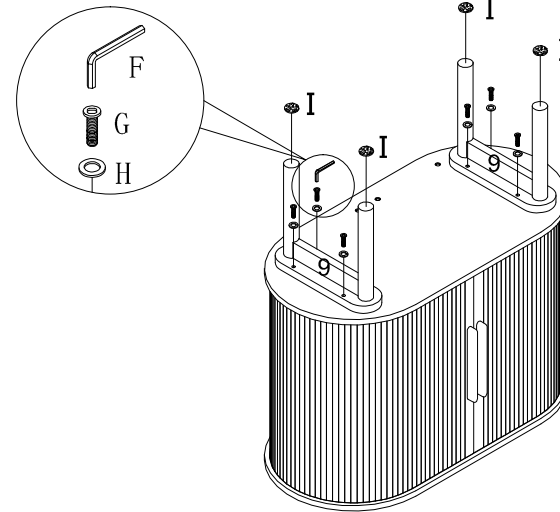
H=8



F=1



I=4

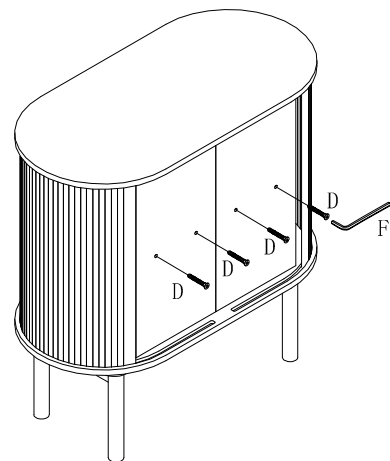


STEP:7

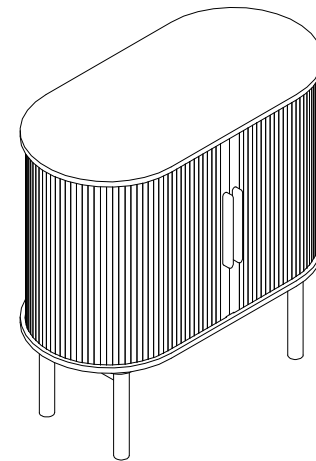
D=4



F=1

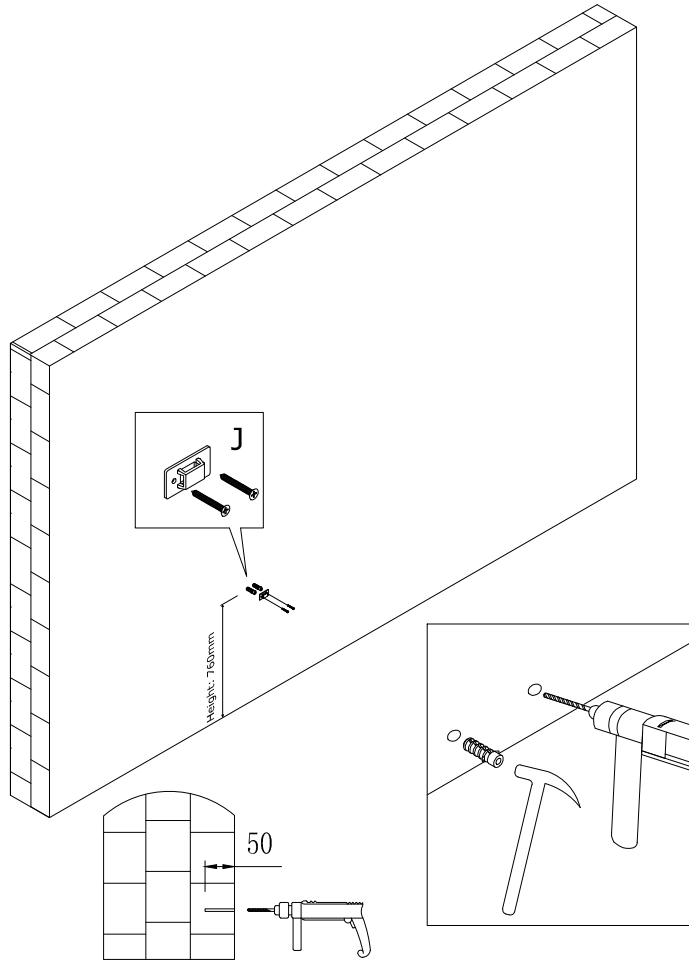
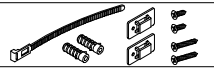


STEP:8



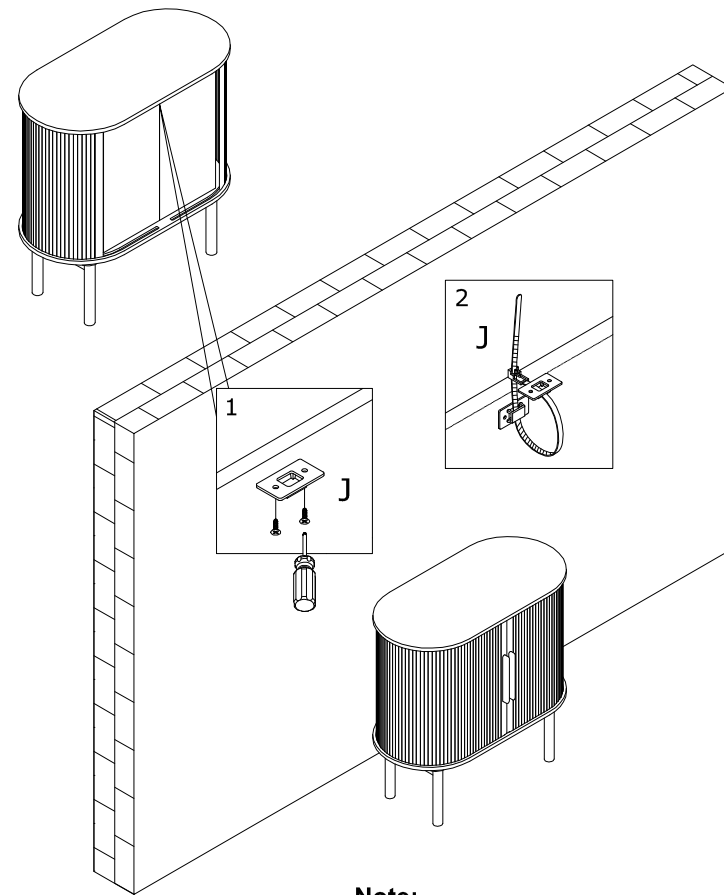
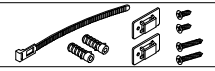
STEP:9

J=1



STEP:10

J=1



Note:
Please lift up the furniture by two people when moving is needed.
Dragging may cause the legs failure.