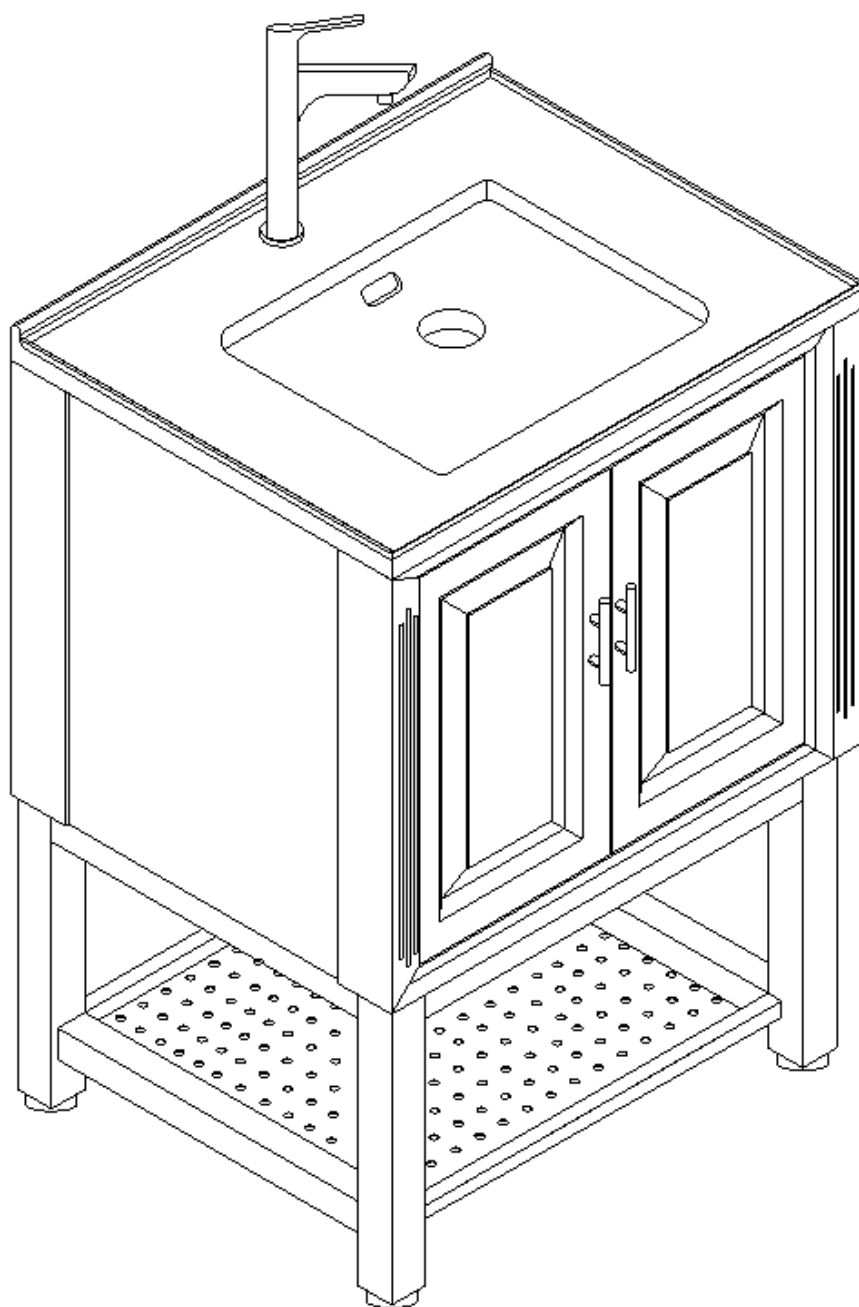


Installation Instruction



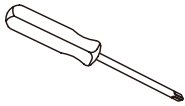
Product name

Cabinet

Assembling

What you need

- Use the packaging carton as a working surface to prevent product damage during assembly
- Phillips head screwdriver



Weight Limitation



50 | **100**
lbs table top | lbs per shelf



2 PERSONS

What 's included

Code	Description	Qty
A	Shorter Screw M6 X10MM	38
B	Longer Screw M6 X15MM	12
C	Metal Washer	18
D	L Bracket	6
E	Right Corner Bracket	1
F	Left Corner Bracket	1
G	Glue	1
H	Faucet	1

The hardwares

(A)



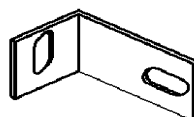
(B)



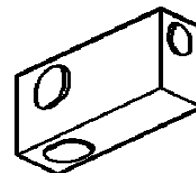
(C)



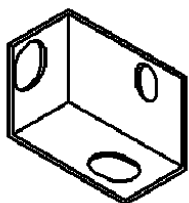
(D)



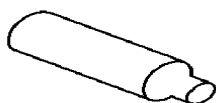
(E)



(F)



(G)



(H)



IMPORTANT :

1. Do not tighten bolts / screws completely until all bolts / screws are lined up and inserted into holes.
2. Do not over tighten screws and bolts to avoid stripping.
3. Please use hand tools to assemble this product. Do not use power tools.
4. Must need 2 people to assemble this product.

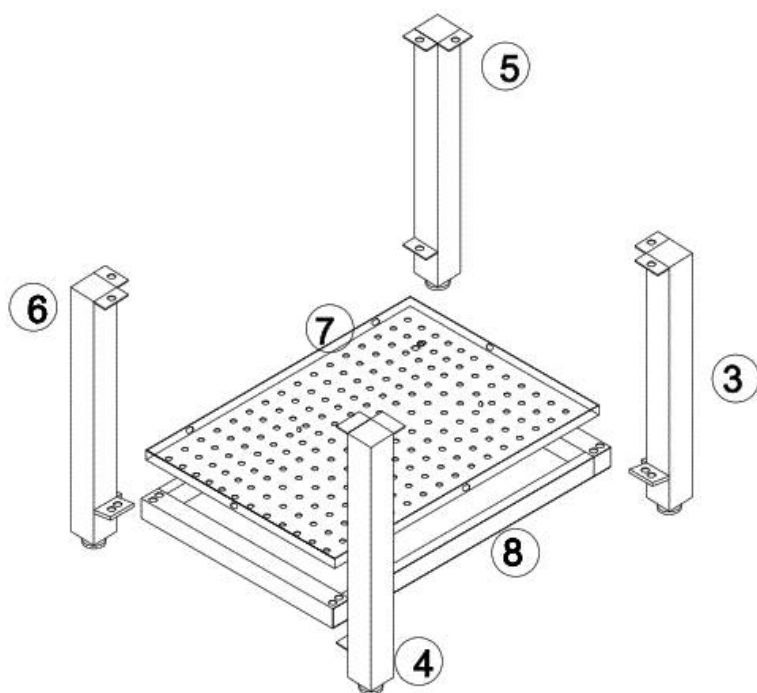
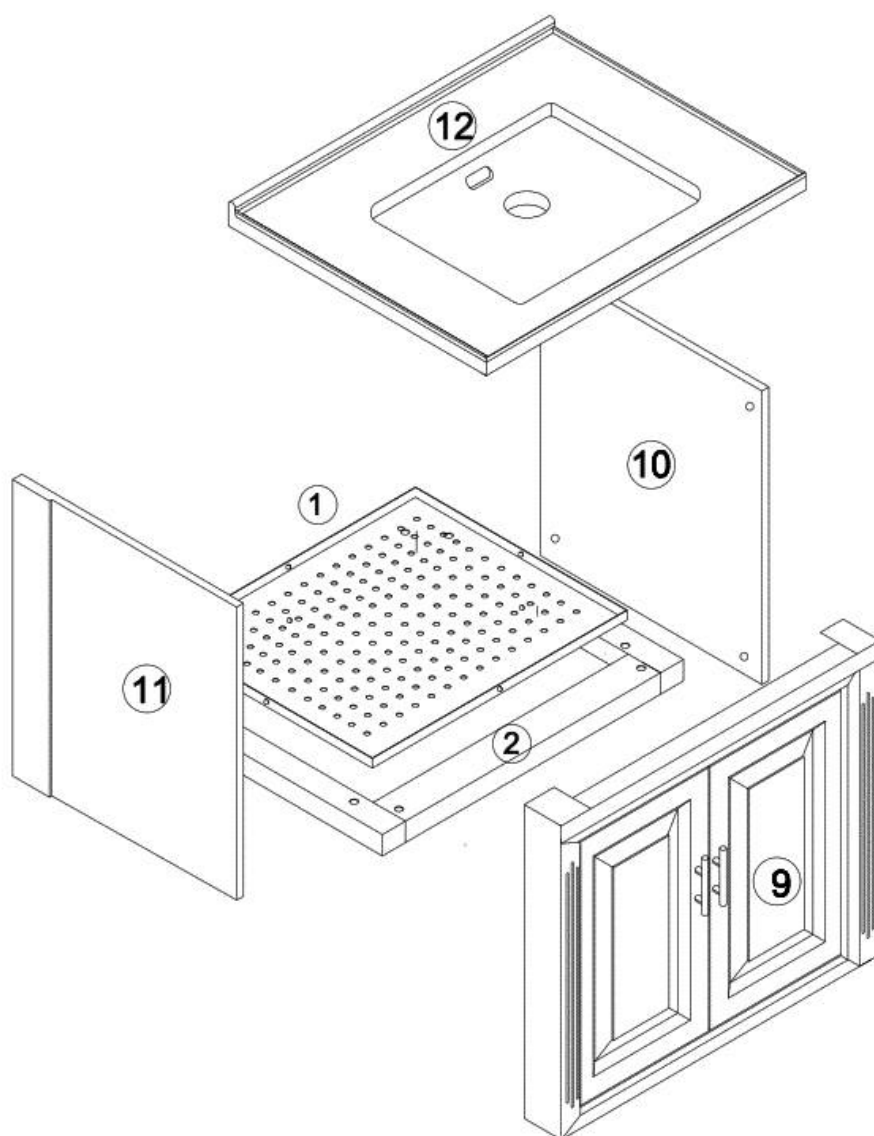


2 PERSONS

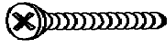
Included Accessories

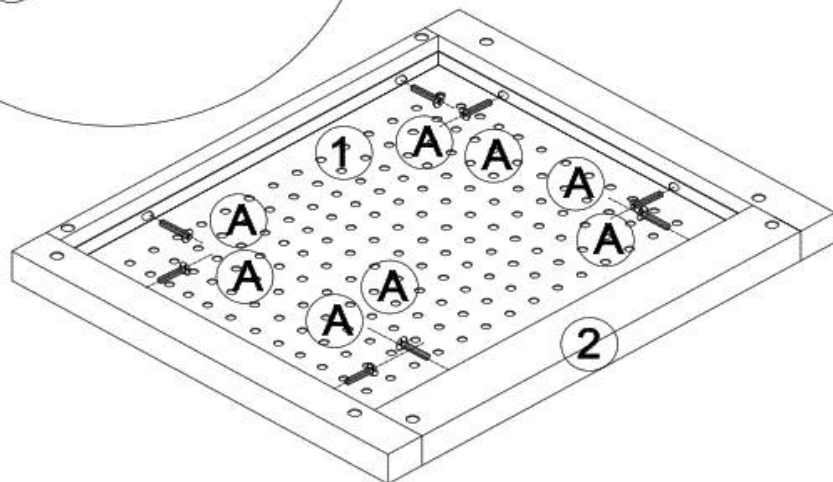
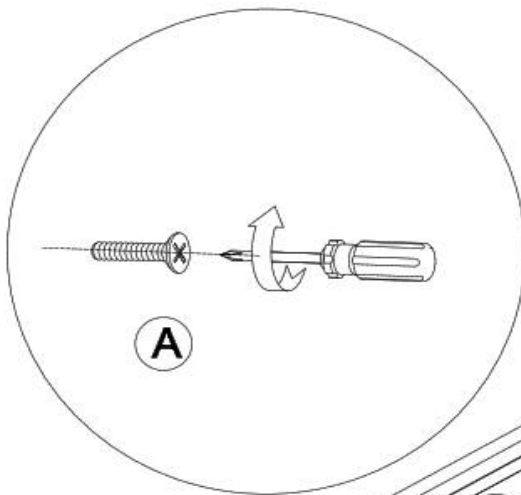
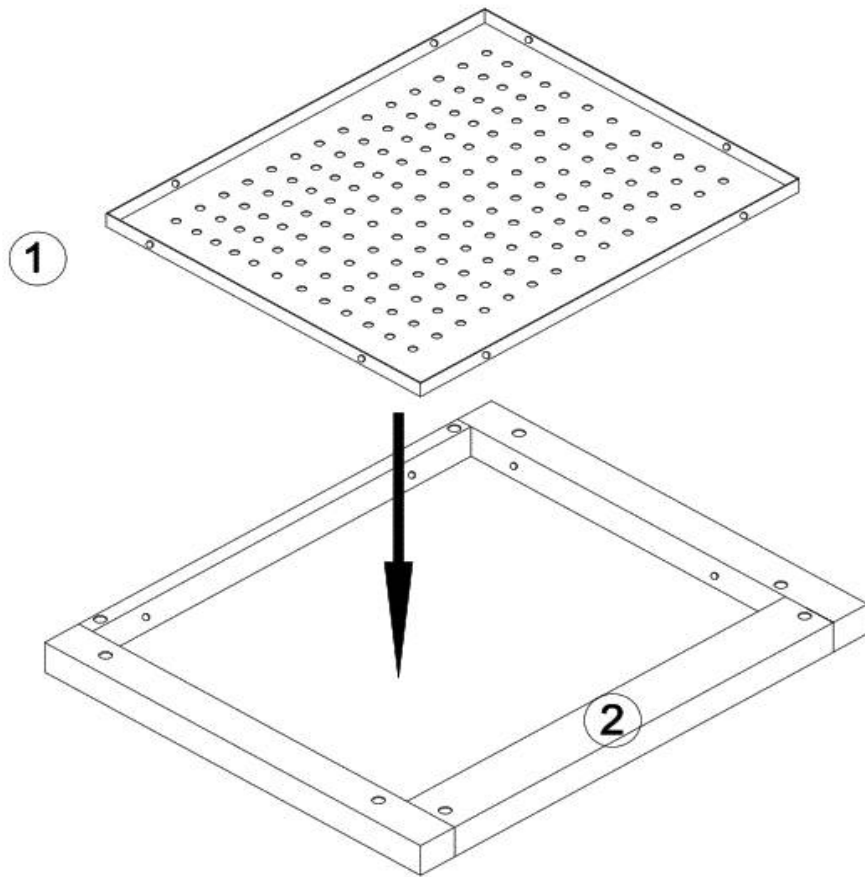
Code	Description	Qty
1	Upper Shelf	1
2	Upper Shelf Frame	1
3	Right Front Leg	1
4	Left Front Leg	1
5	Right Back Leg	1
6	Left Back Leg	1
7	Lower Shelf	1
8	Lower Shelf Frame	1
9	Front Door	1
10	Right Side Panel	1
11	Left Side Panel	1
12	Top Basin	1

The Accessories

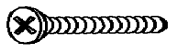


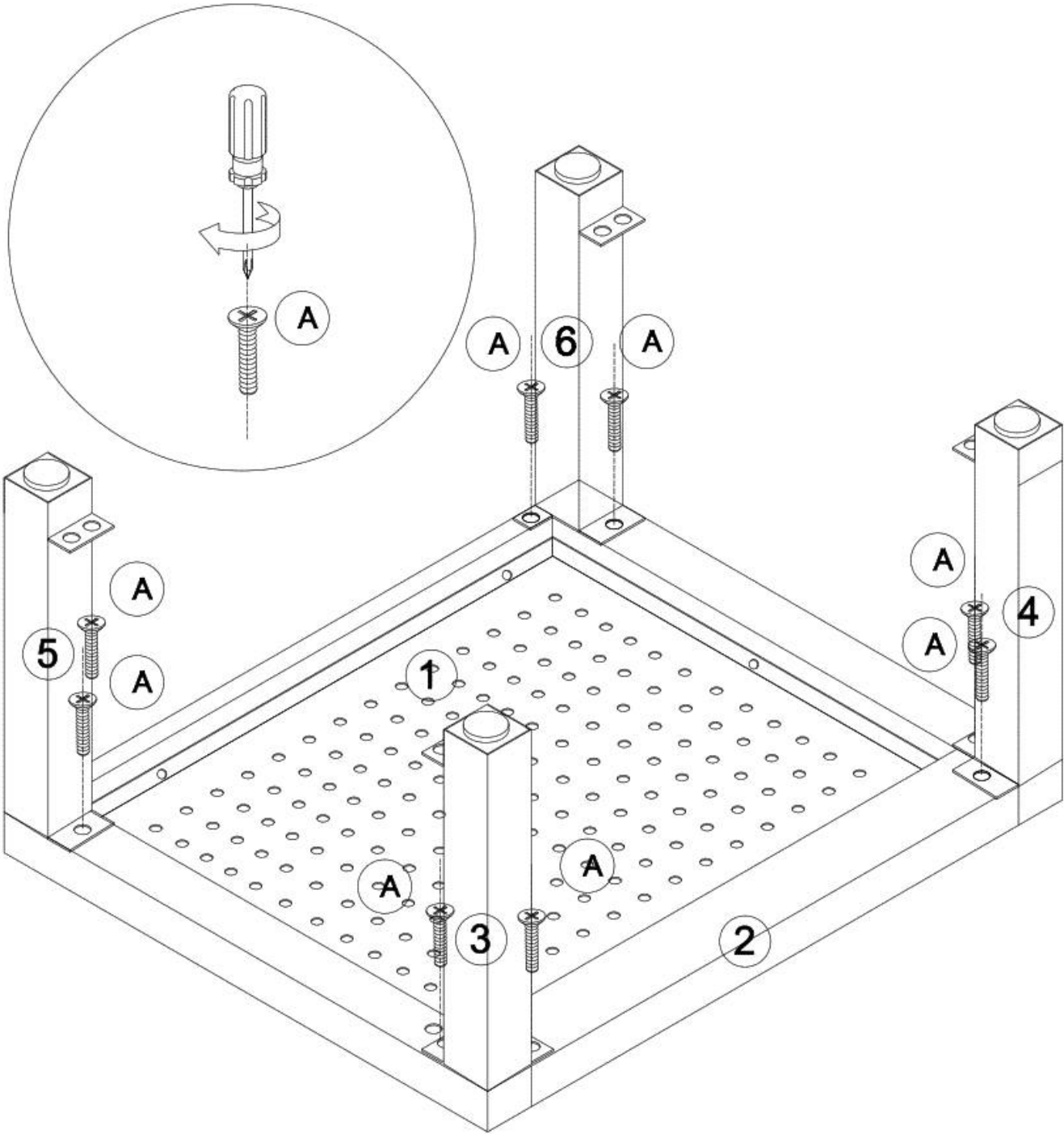
Step 1

	
A	8PCS

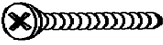


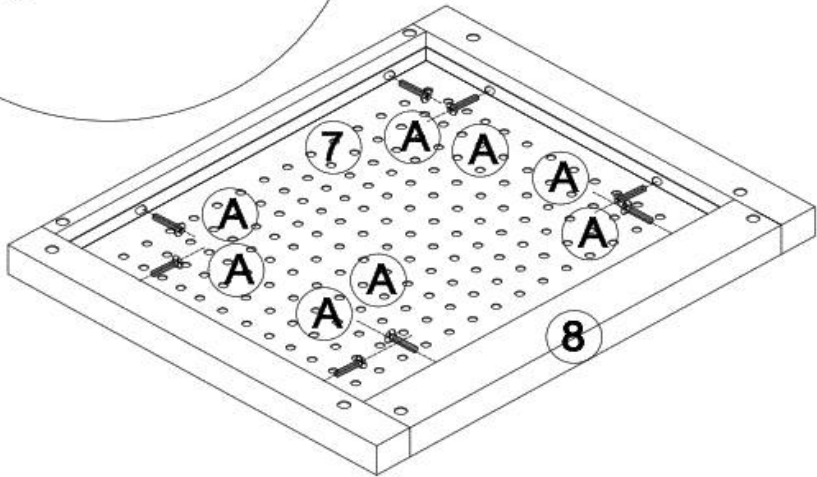
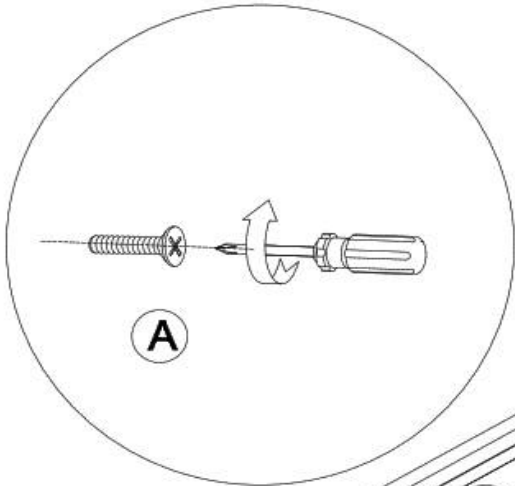
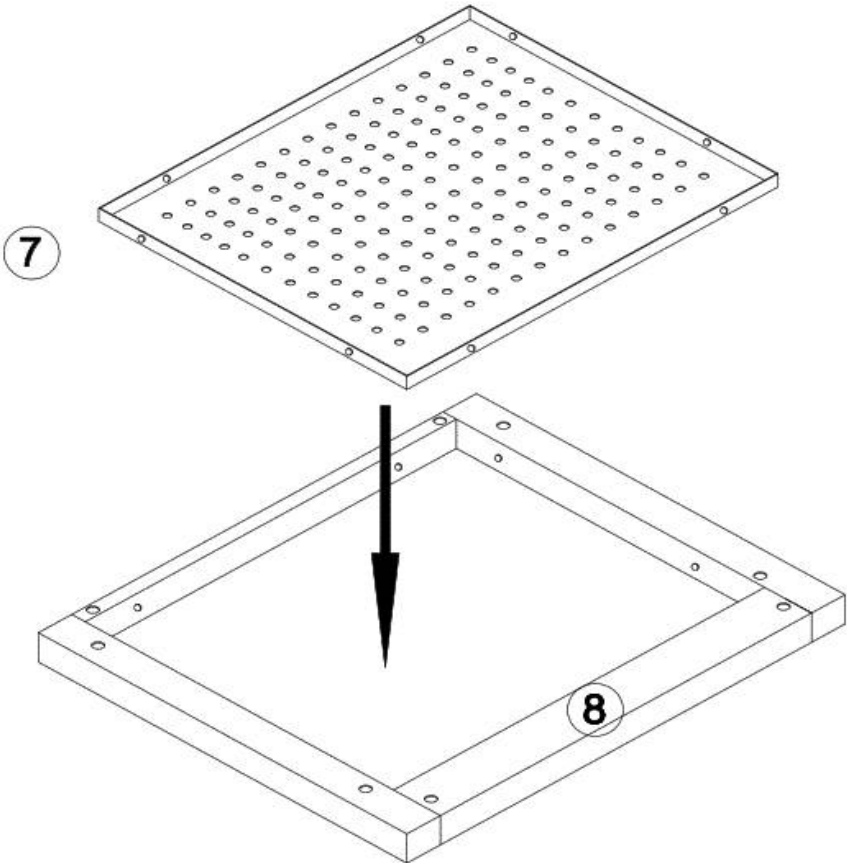
Step 2

	
A	8PCS

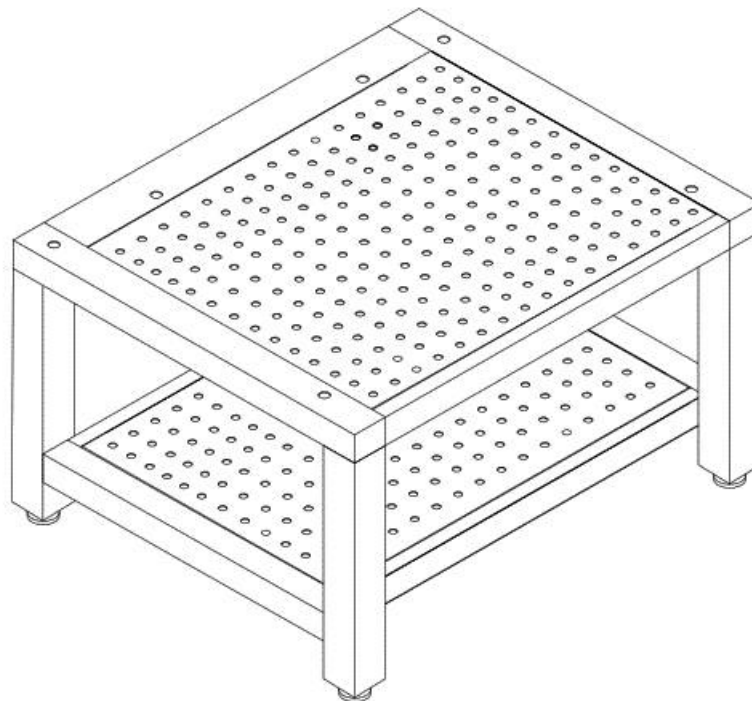
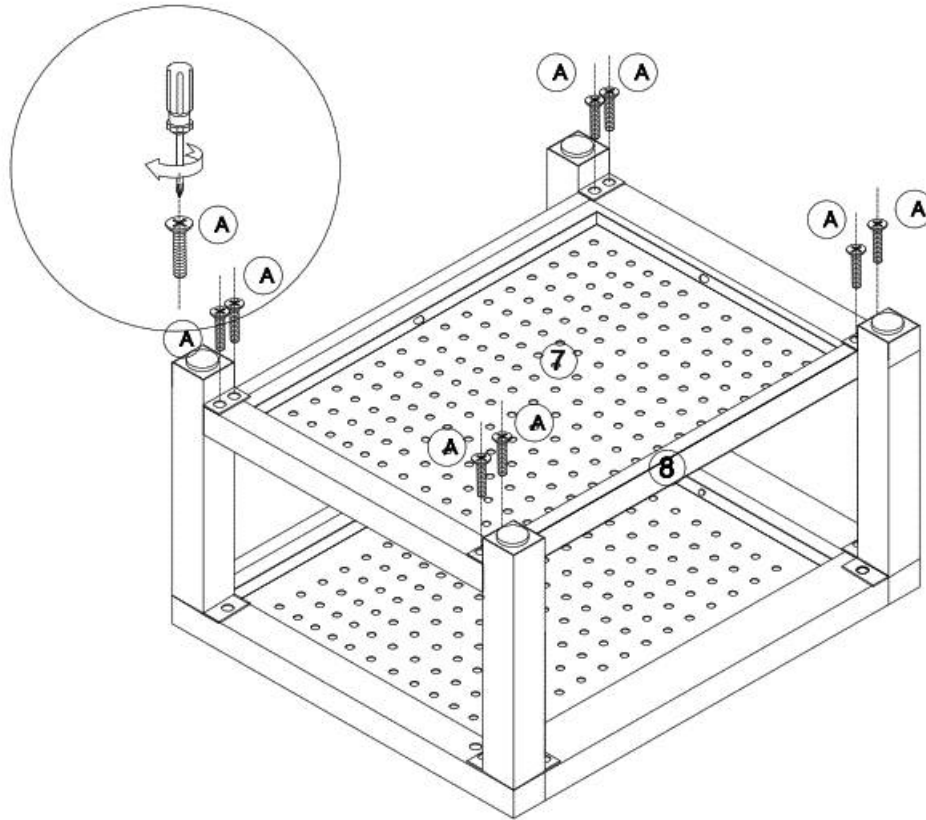
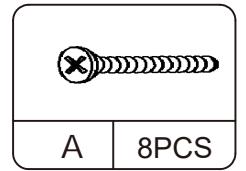


Step 3

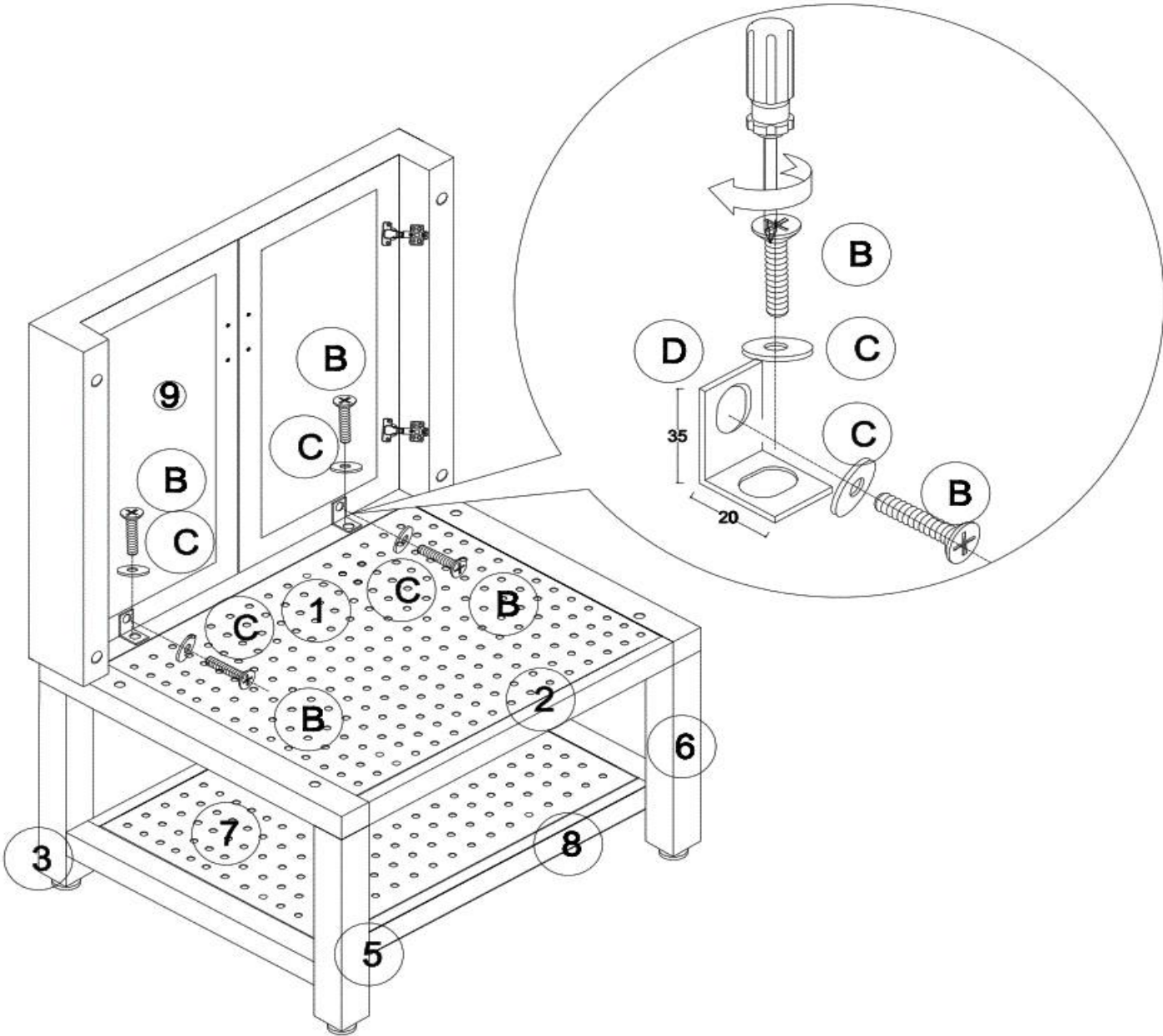
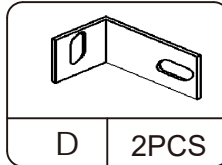
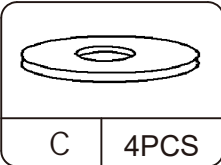
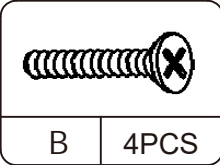
	
A	8PCS



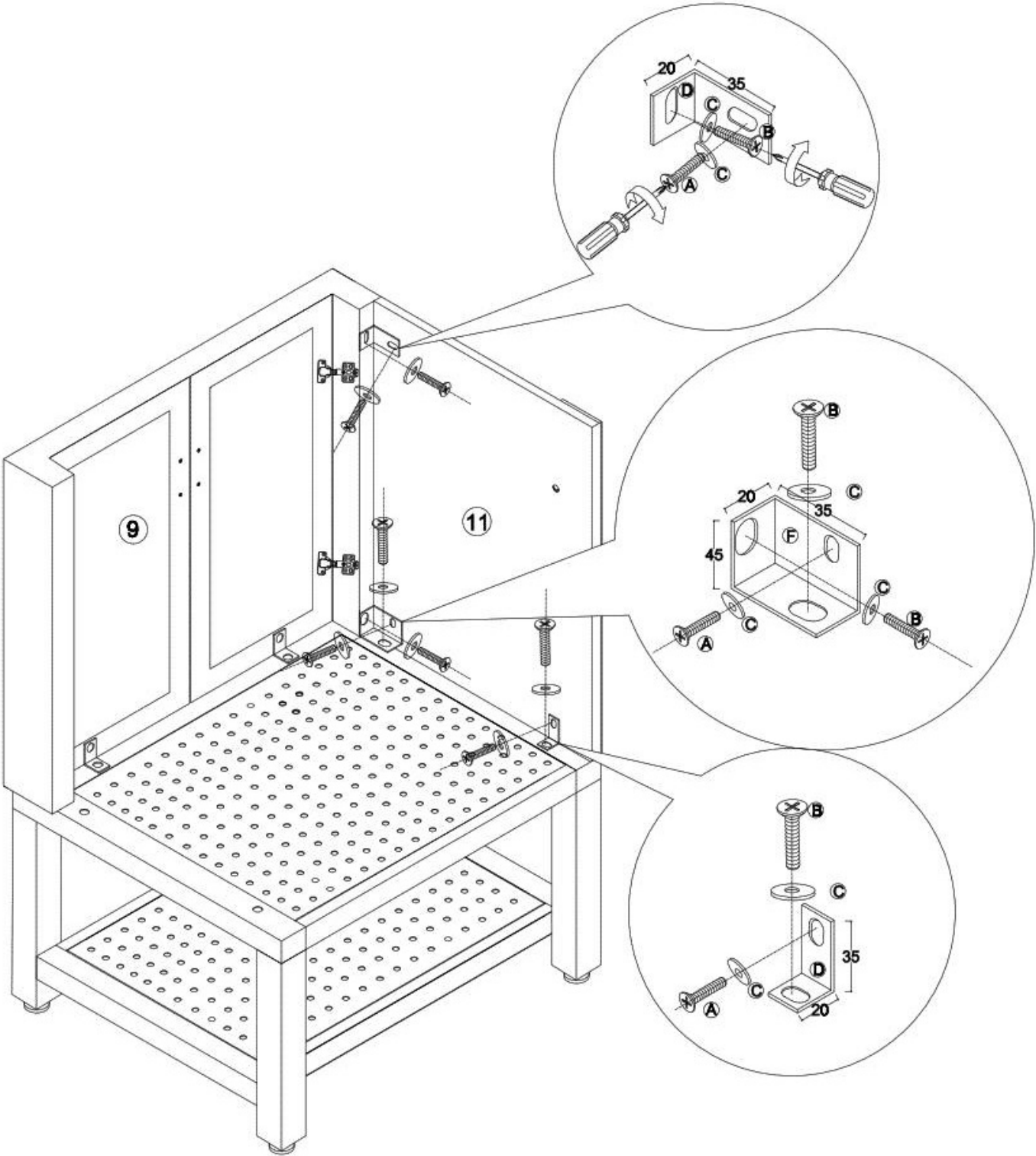
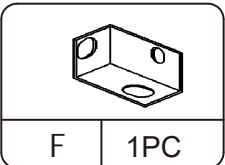
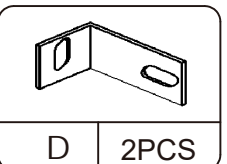
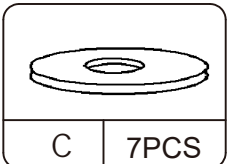
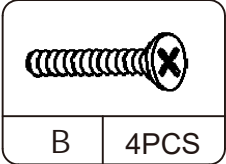
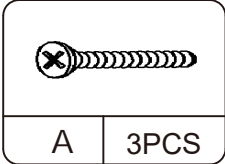
Step 4



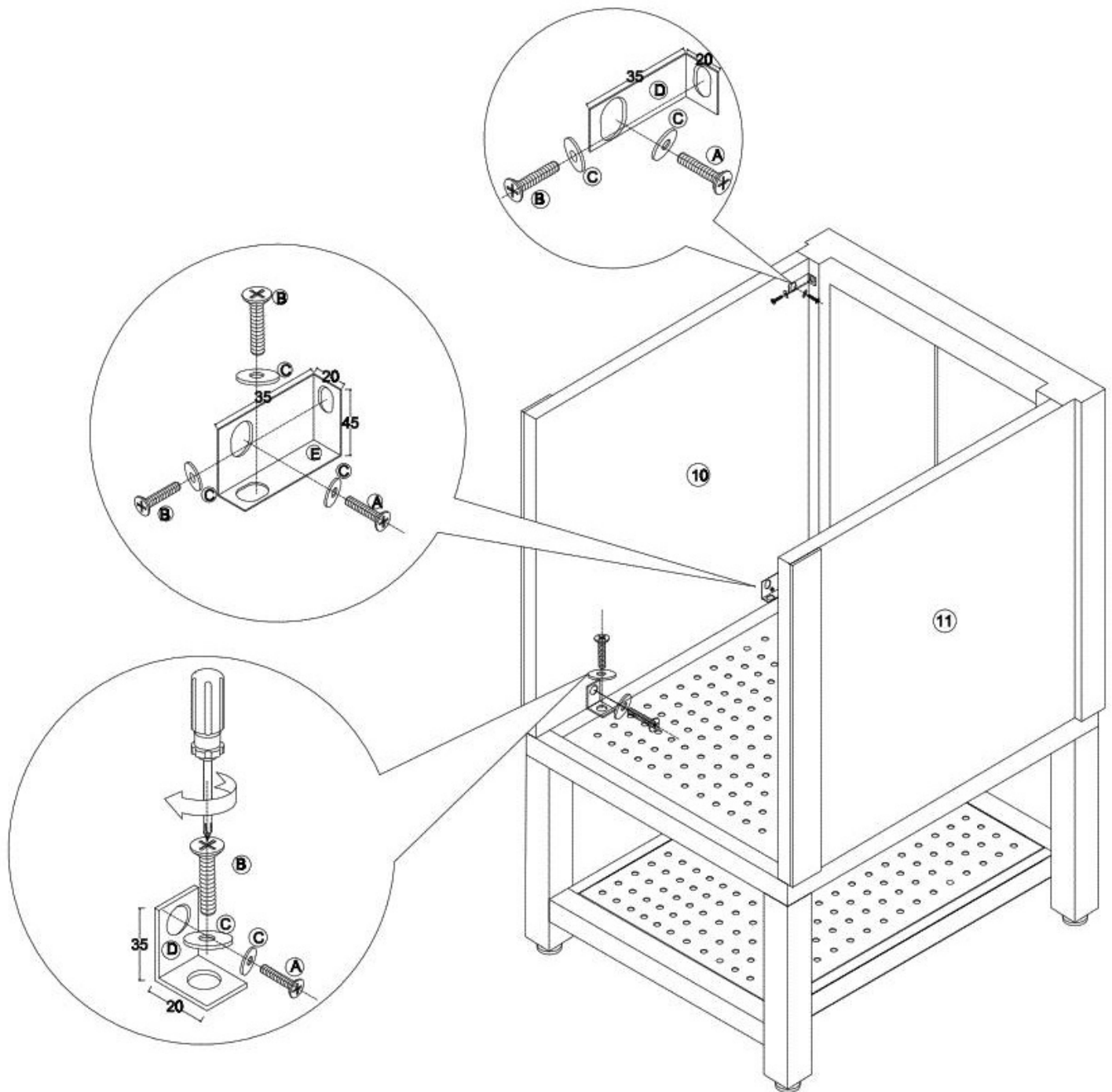
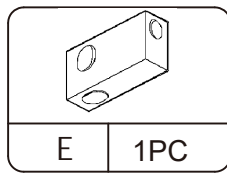
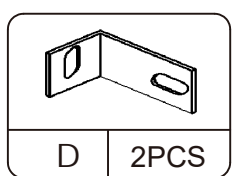
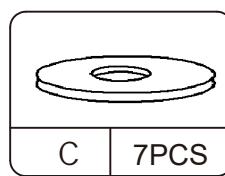
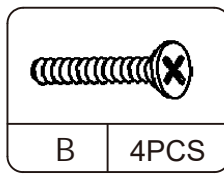
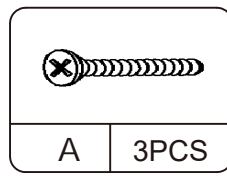
Step 5



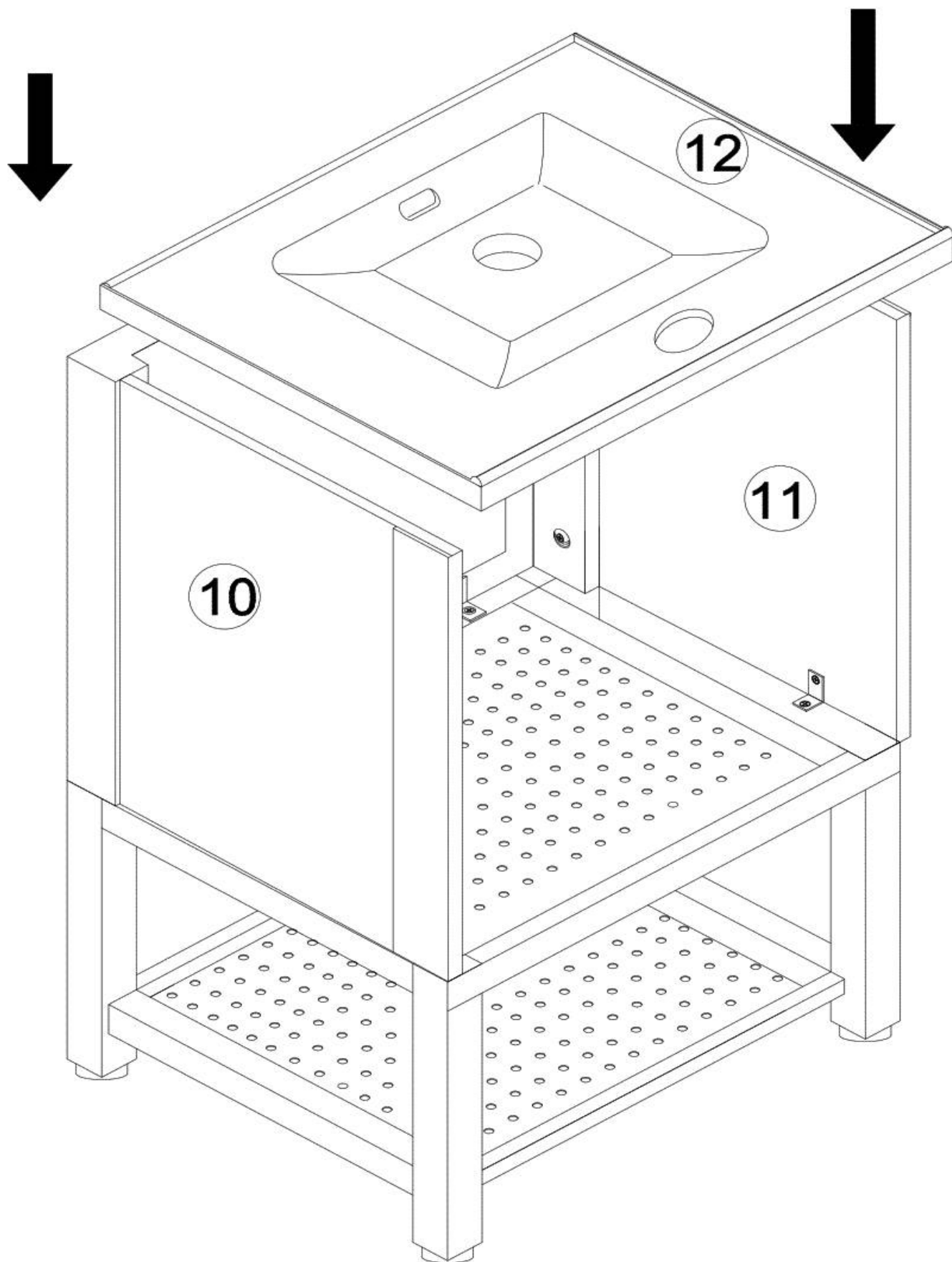
Step 6



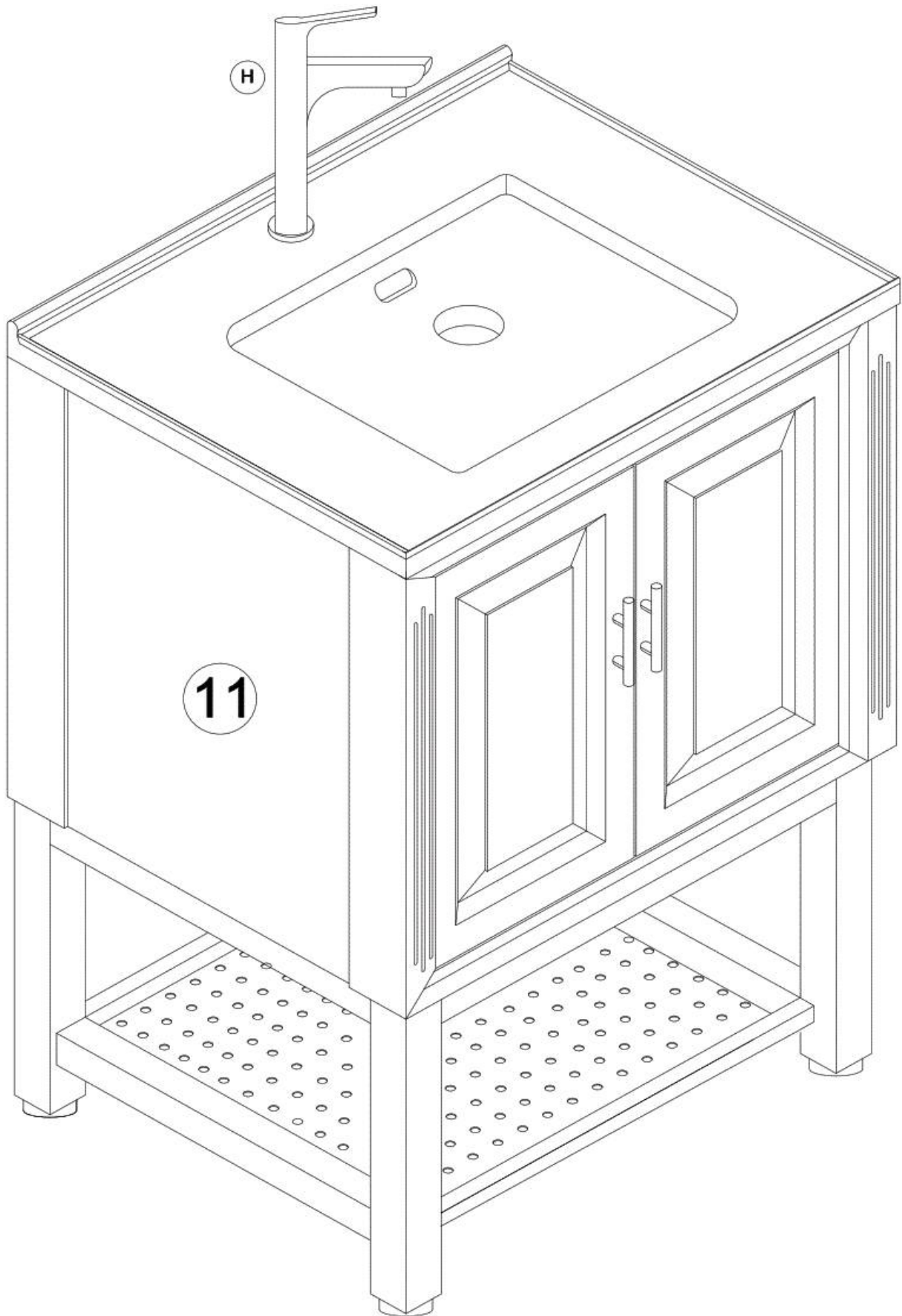
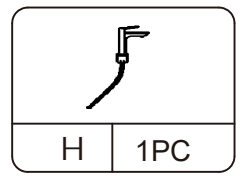
Step 7



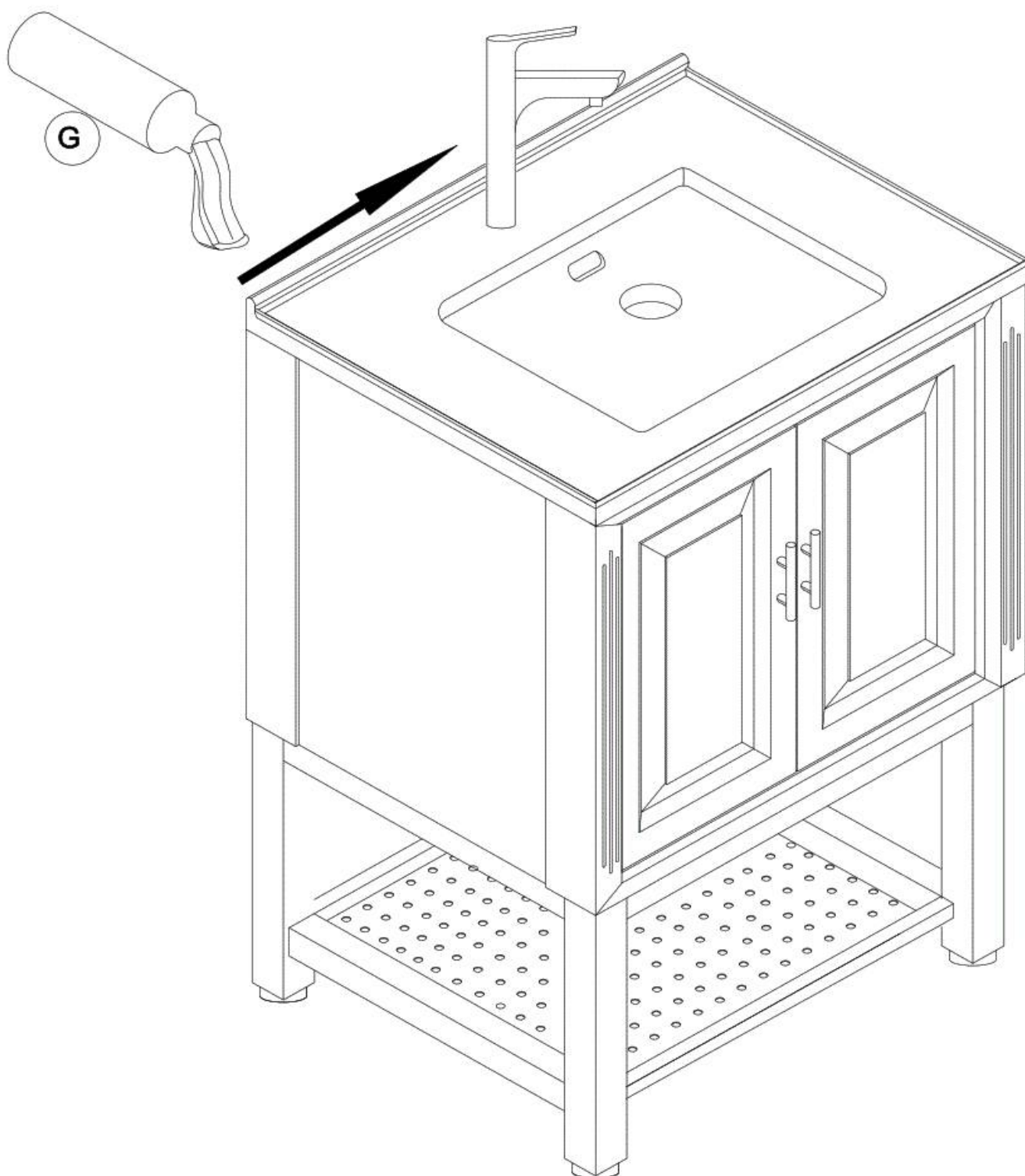
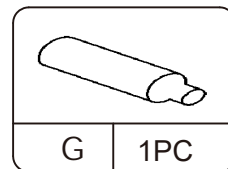
Step 8



Step 9



Step 10



Proper Use

- DO NOT** use for commercial purposes
- DO NOT** use as a step stool or stand on table
- DO NOT** put hot serving liquid directly on the table top
- DO NOT** leave spilled liquid on the table top
- DO NOT** use table if damaged
- DO NOT** exceed weight limit
- DO NOT** make temporary repairs
- DO NOT** use outdoor

Dear Customer:

Thank you for purchasing our product,we wish you satisfy our service,if you have any further questions or any quality issues,please show the belows number and don't hesitate to contact our Customer Service People.