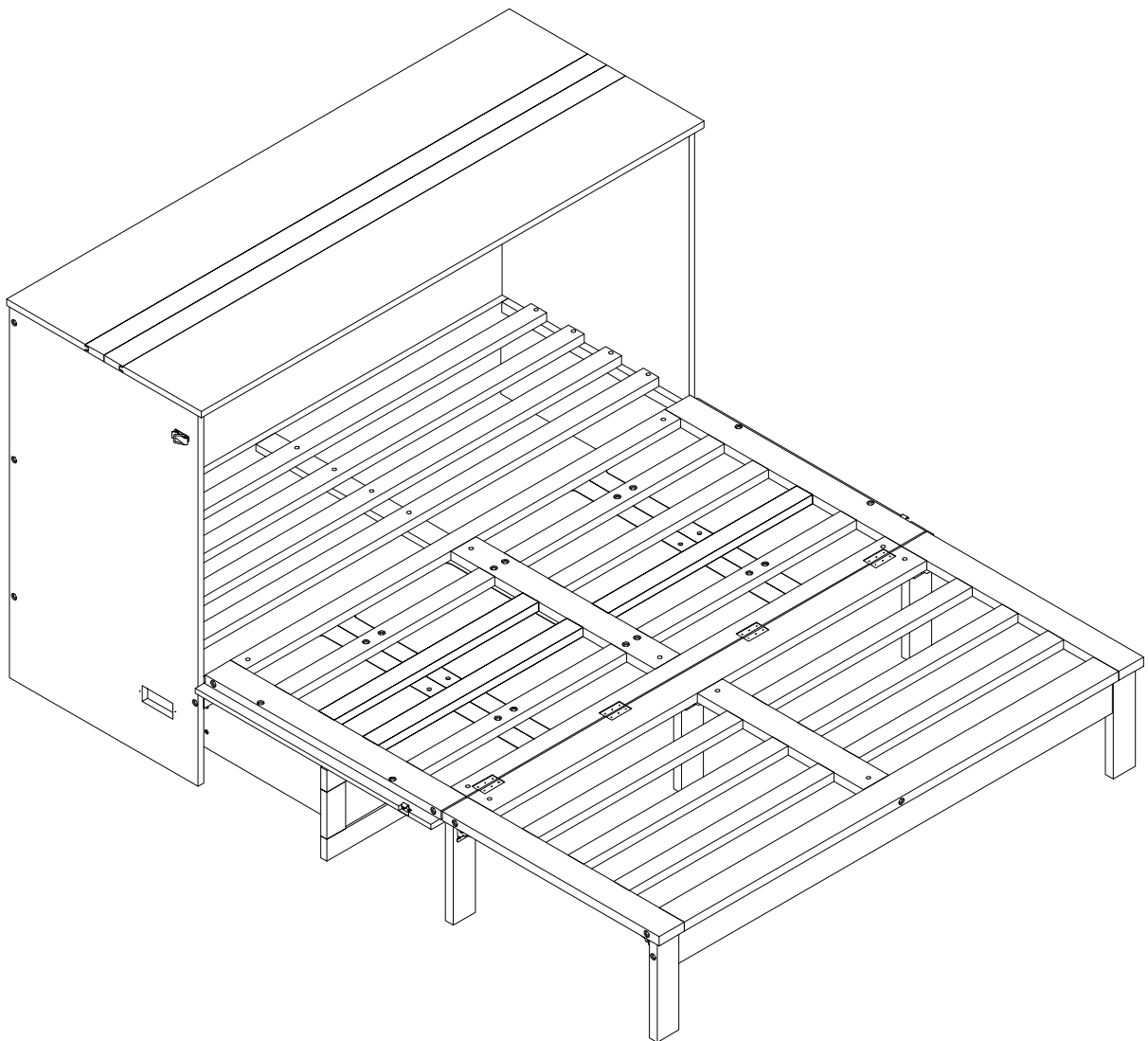
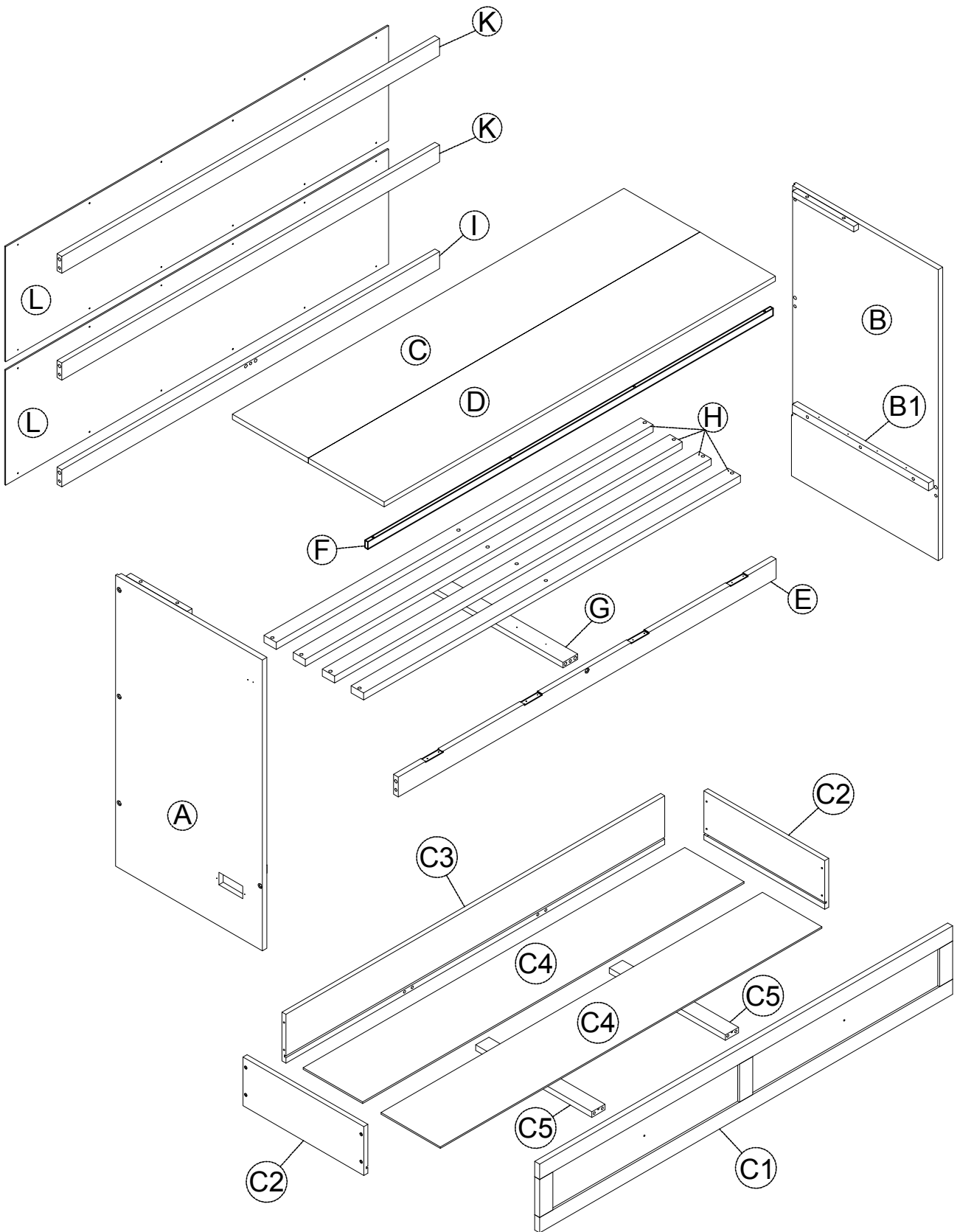


ASSEMBLY INSTRUCTIONS

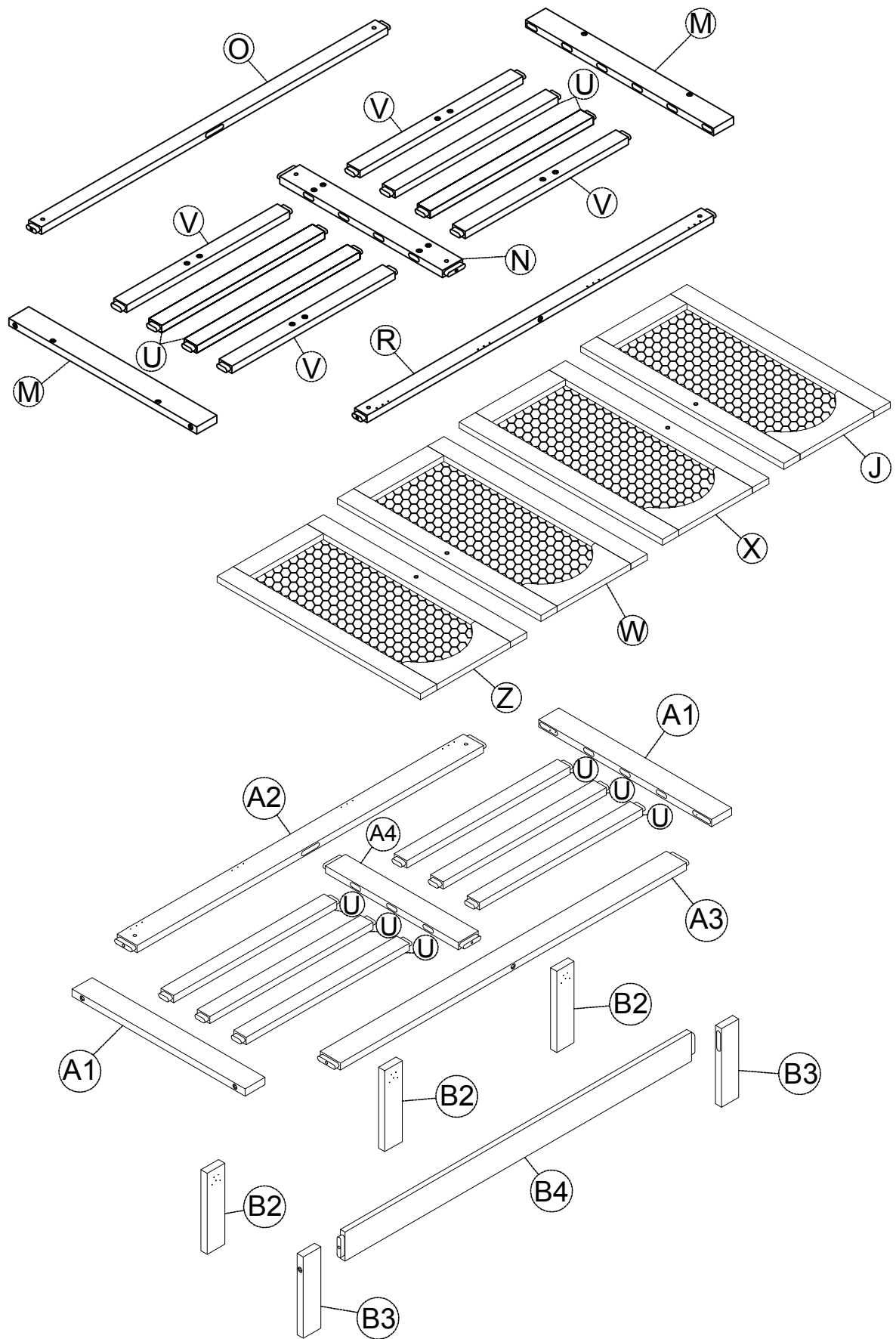
QUEEN MURPHY BED




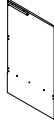

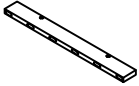
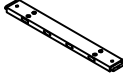
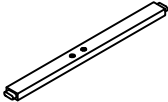

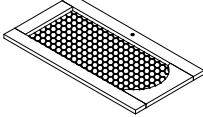
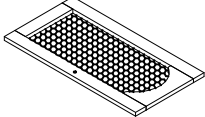
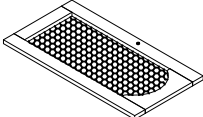
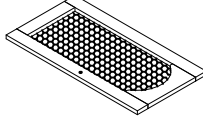
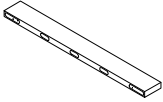
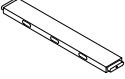
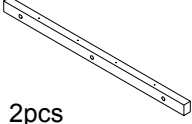


Detail View



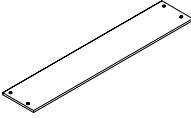
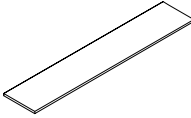

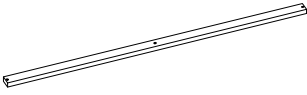


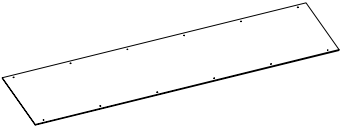
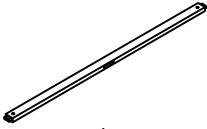
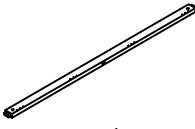
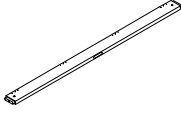
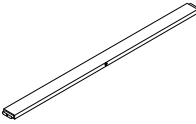
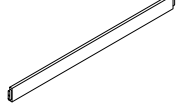
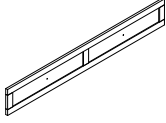
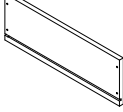
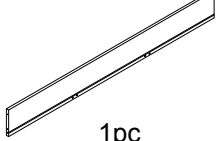

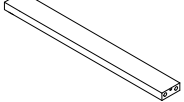

Detail View








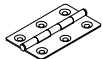




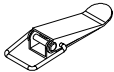













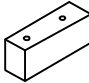



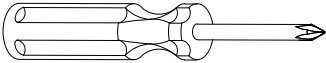
Part List : BOX 1

A  1pc	B  1pc	G  1pc
M  2pcs	N  1pc	V  4pcs
U  10pcs	Z  1pc	W  1pc
X  1pc	J  1pc	A1  2pcs
A4  1pc	B1  2pcs	B2  3pcs
B3  2pcs		

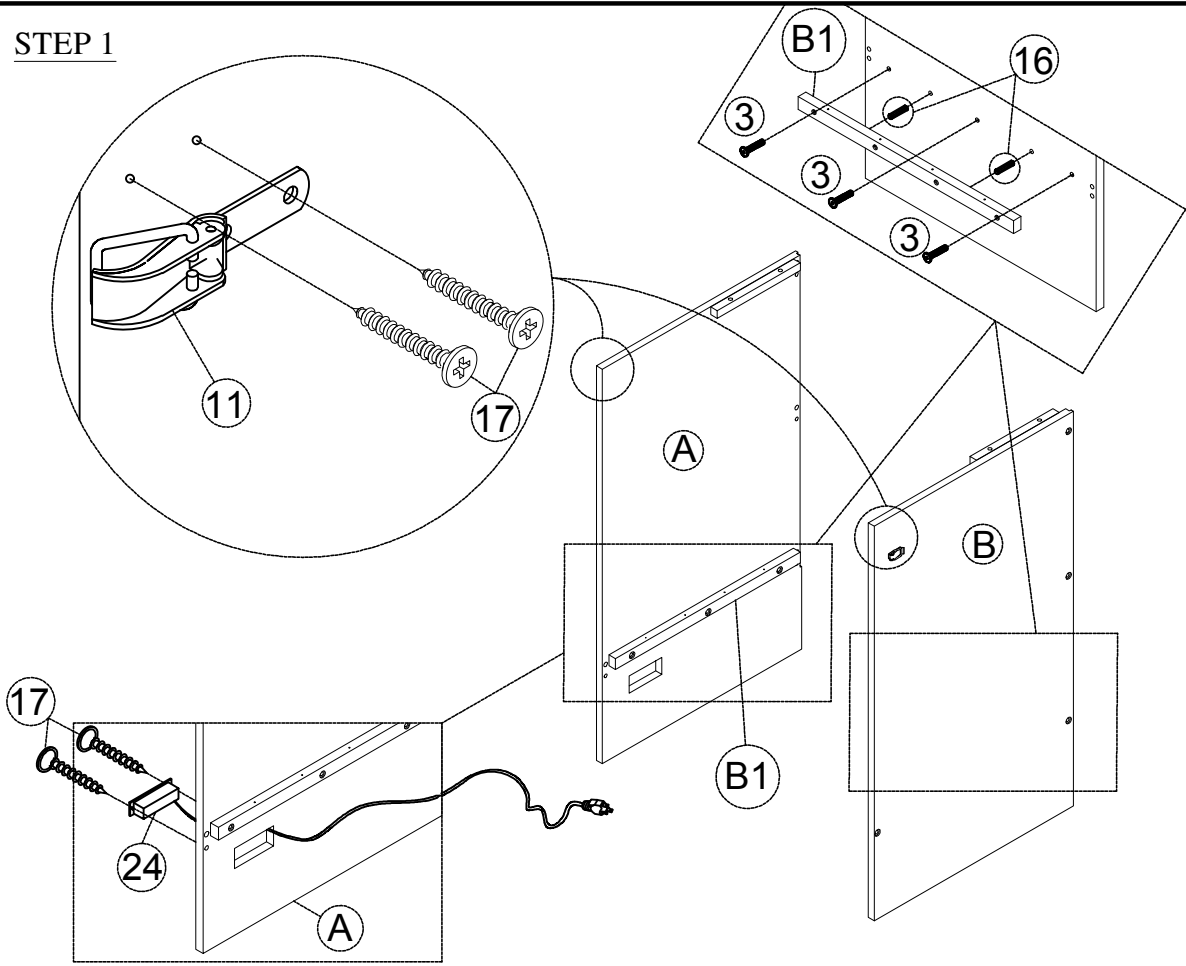
Part List : BOX 2

<p>C</p>  <p>1pc</p>	<p>D</p>  <p>1pc</p>	<p>E</p>  <p>1pc</p>
<p>H</p>  <p>4pcs</p>	<p>I</p>  <p>1pc</p>	<p>K</p>  <p>2pcs</p>
<p>L</p>  <p>2pcs</p>	<p>O</p>  <p>1pc</p>	<p>R</p>  <p>1pc</p>
<p>A2</p>  <p>1pc</p>	<p>A3</p>  <p>1pc</p>	<p>B4</p>  <p>1pc</p>
<p>C1</p>  <p>1pc</p>	<p>C2</p>  <p>2pcs</p>	<p>C3</p>  <p>1pc</p>
<p>C4</p>  <p>2pcs</p>	<p>C5</p>  <p>2pcs</p>	<p>F</p>  <p>1pc</p>

Hardware List : BOX1

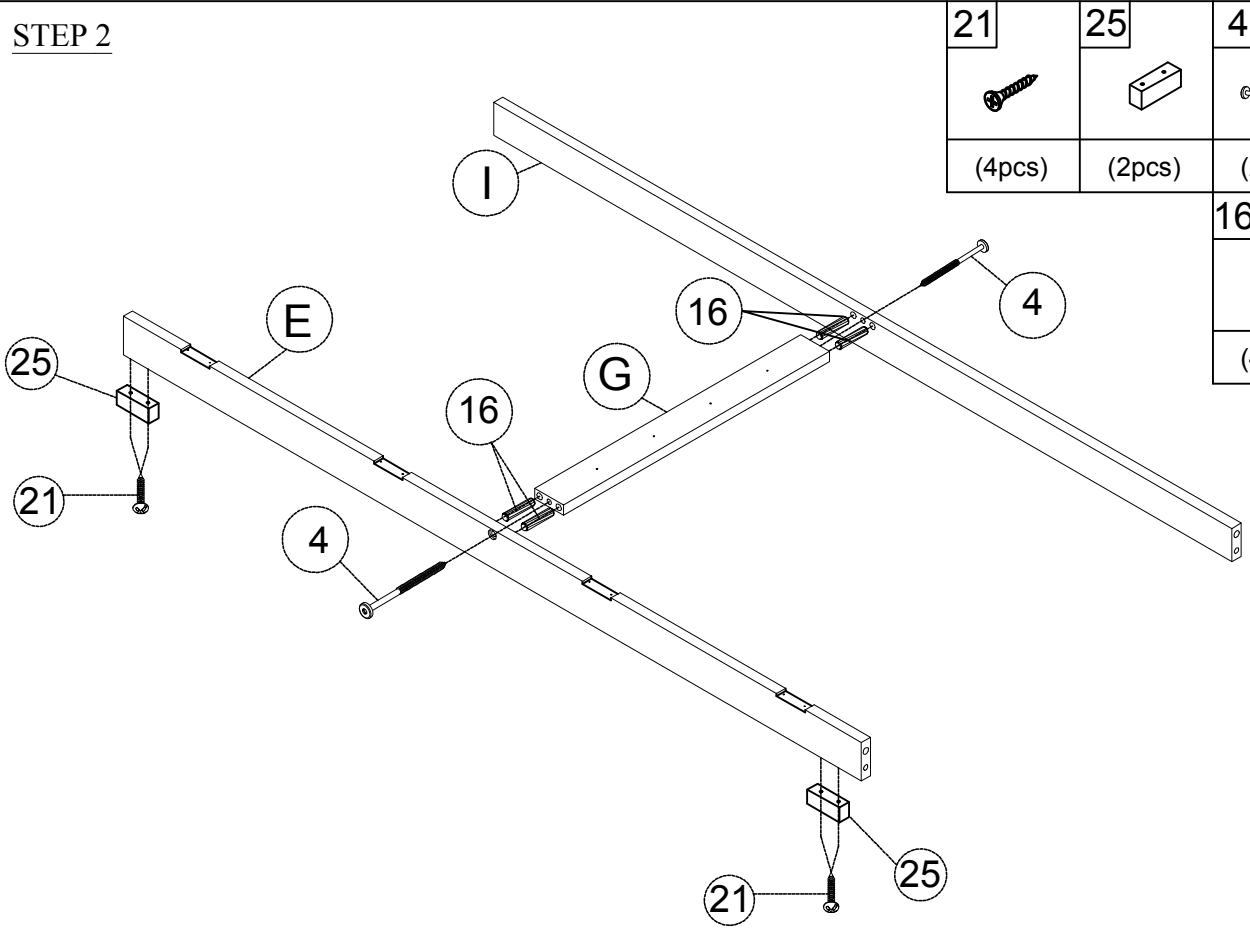
1	 (Ø15) x1/4"x60mm Hex-Head Bolts (8pcs)	2	 1/4"x15mm(9.5mm) Horizontal-Hole Nuts (8pcs)	3	 (Ø15) x1/4"x30mm Hex-Head Bolts (26pcs)
4	 (Ø15) x1/4"x60mm Hex - Head Screws (2pcs)	5	 (Ø15) x1/4"x90mm Hex - Head Screws (14pcs)	6	 66 x39x1.5mm Hinge (4pcs)
7	 66 x27x1.5mm Hinge (4pcs)	8	 70x58x56x3mm Foldable-bracket (1pc)	9	 70x58x56x3mm Foldable-bracket L (3pcs)
10	 Duckbill lock B (2pcs)	11	 Duckbill lock A (2pcs)	12	 Wooden-Knob (6pcs)
13	 internal cross hinge (4pcs)	14	 Ø5/32"x30mm Pan Heand bolts (4pcs)	15	 Ø8x8mm Horizontal-Hole Nuts (4pcs)
16	 Ø8x30mm Wooden dowel (24pcs)	17	 3.5x15mm Wood screws (74pcs)	18	 3.5x10mm Wood screws (8pcs)
19	 3.5x15mm Wood screws (74pcs)	20	 m4x25mm Wood screws (4pcs)	21	 m4x30mm Wood screws (20pcs)
22	 m4x50mm Wood screws (8pcs)	23	 12.5 x44mm internal cross hinge (3set)	24	 USB (1pc)
25	 Wood (2pcs)	26	 Ø5/32"x15mm Pan Heand bolts (2pcs)	27	 (1/4") 4x58mm Allen key (1pc)
28	 70x58x56x3mm Foldable-bracket (R) (1pc)	<p>ASSEMBLY TOOLS REQUIRED (NOT INCLUDED)</p>  <p>PLEASE BE CAREFUL DO NOT DAMAGE THE HOLE POSITION WHEN YOU USE POWER TOOLS !</p>			

STEP 1



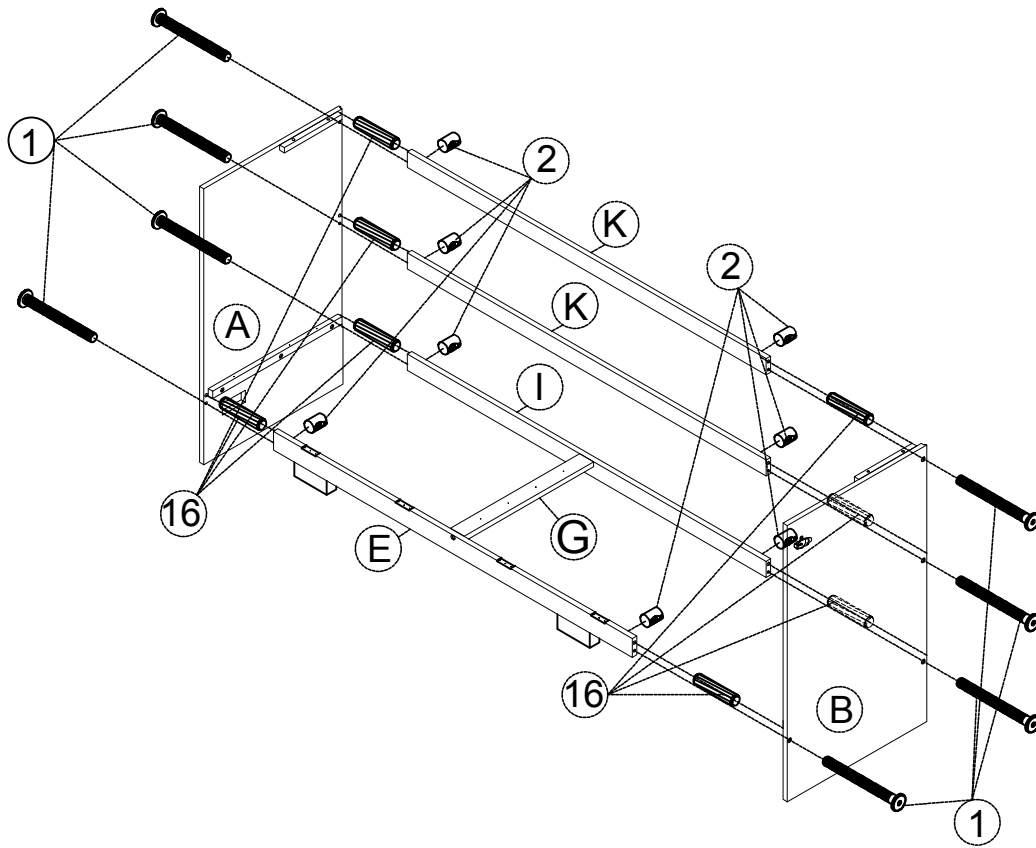
- | | |
|--------|--|
| 24 | |
| (1pc) | |
| 11 | |
| (2pcs) | |
| 17 | |
| (6pc) | |
| 16 | |
| (4pcs) | |
| 3 | |
| (6pcs) | |




STEP 2



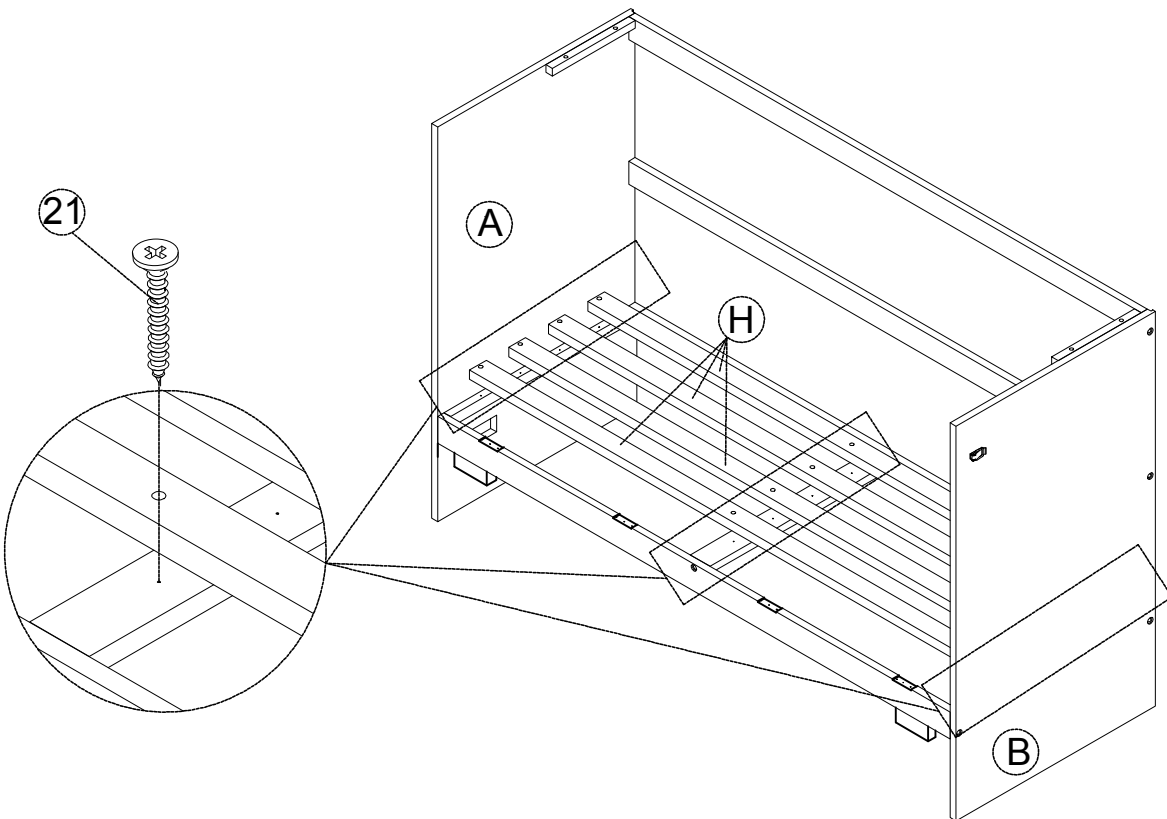
- | | | | | | |
|--------|--|--------|--|--------|--|
| 21 | | 25 | | 4 | |
| (4pcs) | | (2pcs) | | (2pcs) | |
| 16 | | | | | |
| (4pcs) | | | | | |


STEP 3



- 1

(8pcs)
- 16

(8pcs)
- 2

(8pcs)

STEP 4



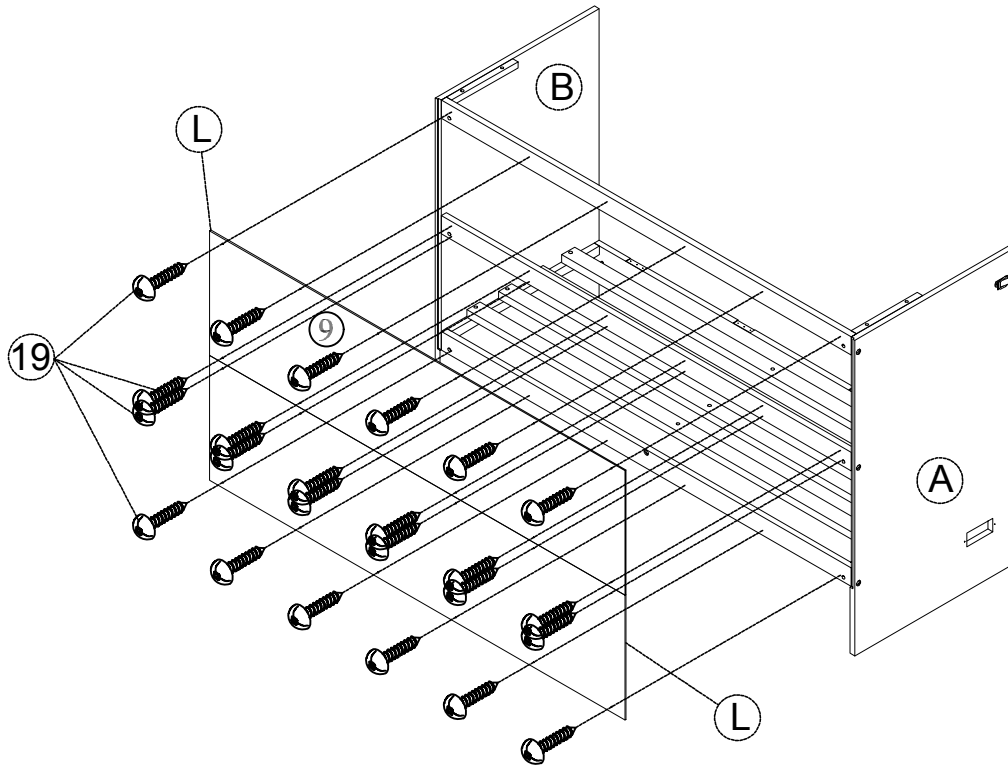
- 21

(12pcs)

STEP 5

19



(24pcs)



STEP 6

23

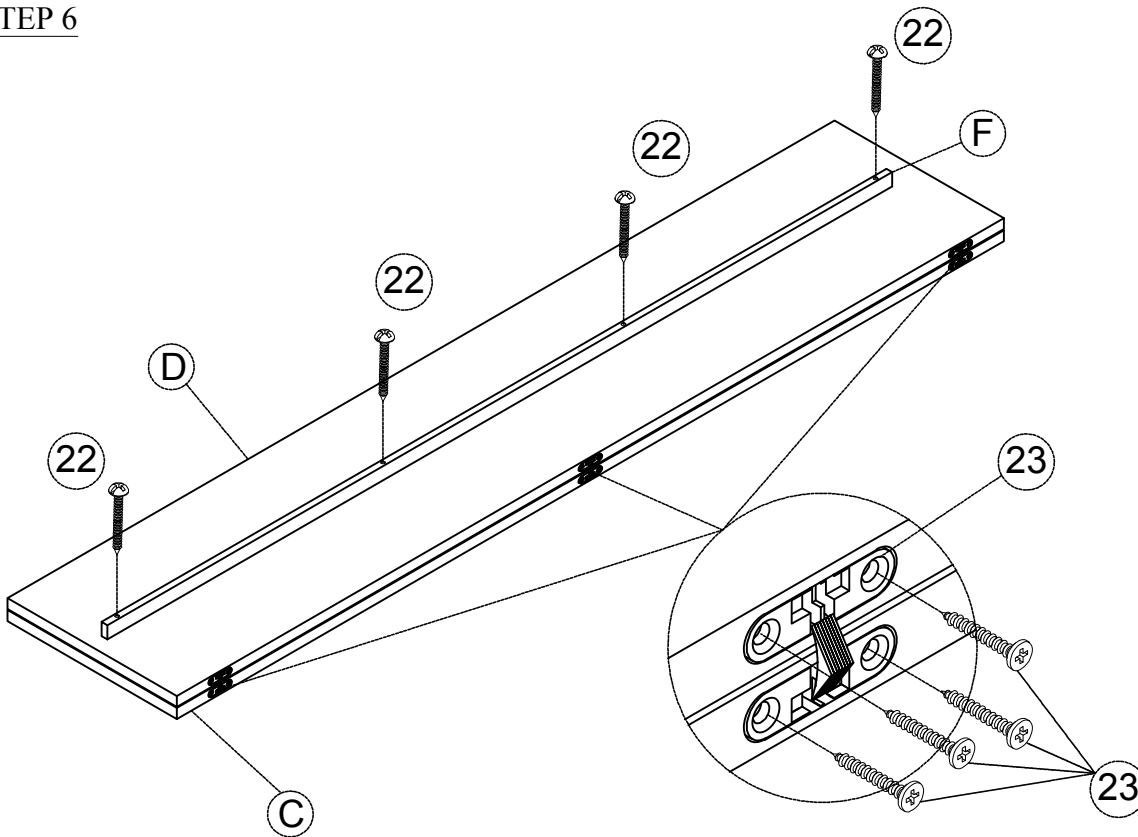


(3set)

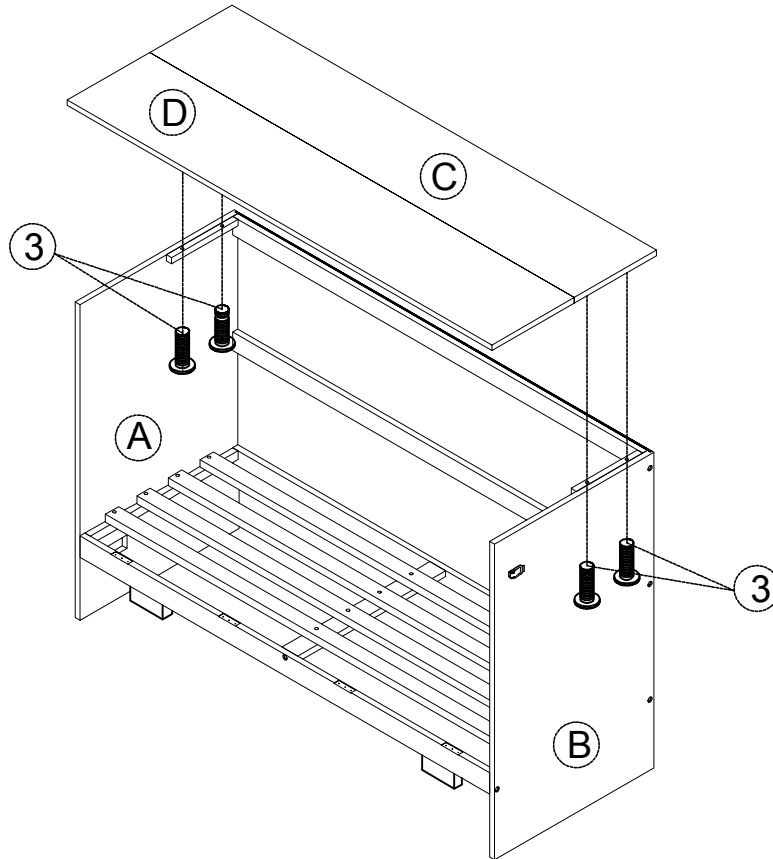
22



(4pcs)



STEP 7

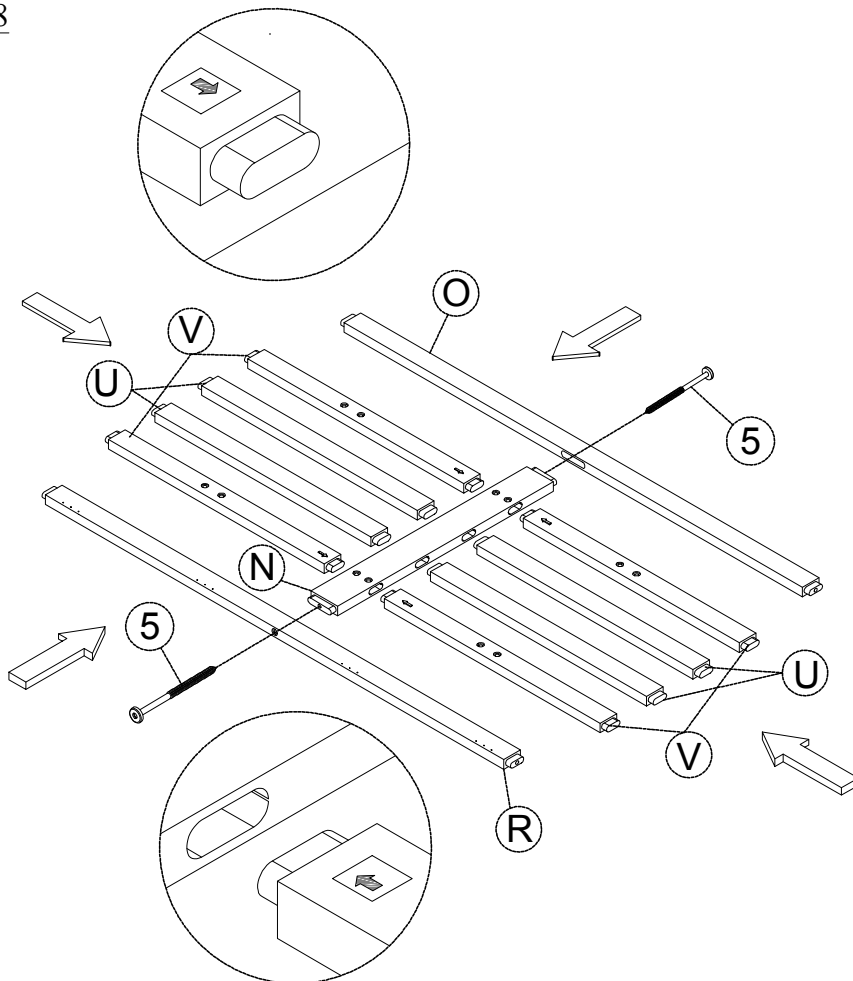


3



(4pcs)

STEP 8

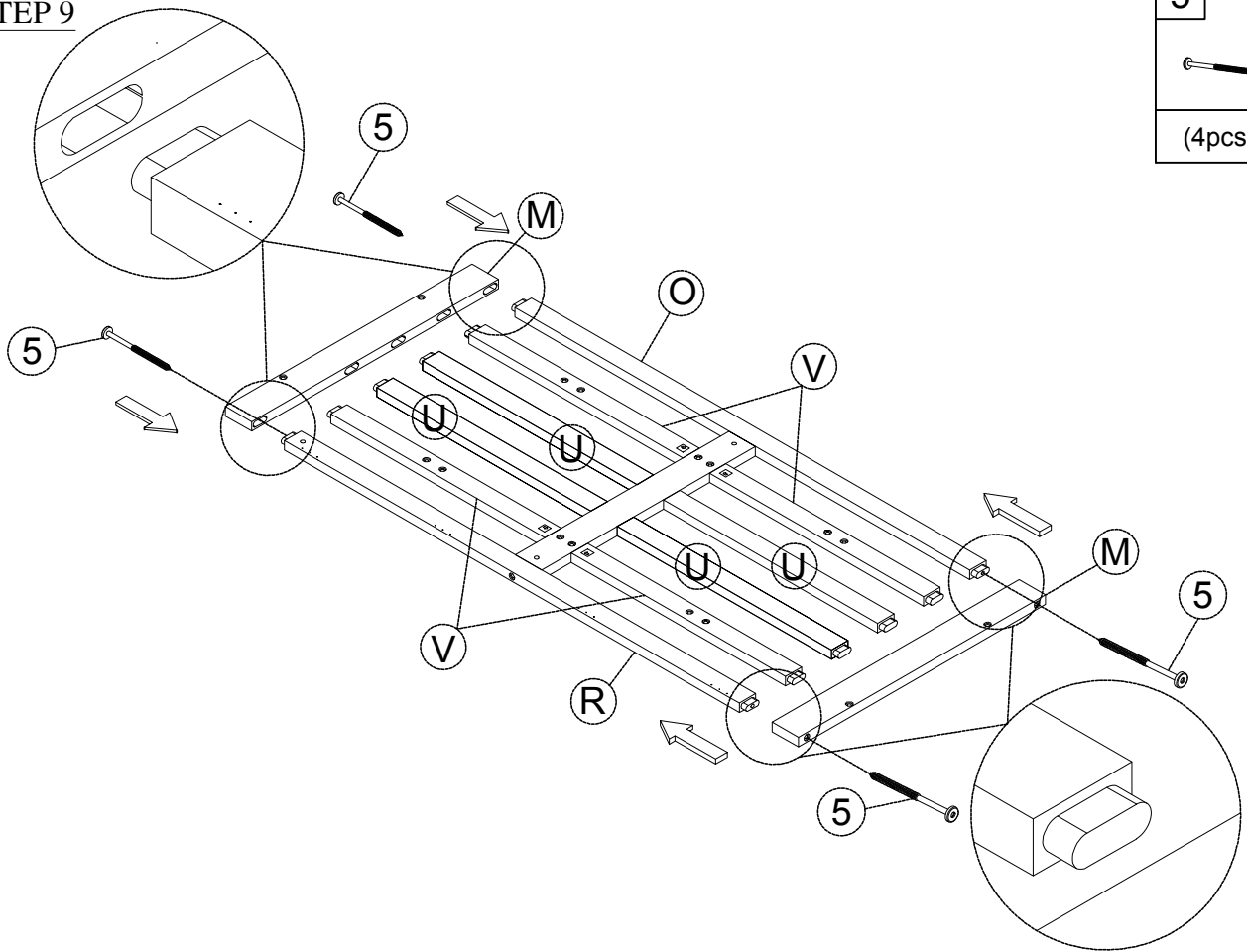


5



(2pcs)

STEP 9

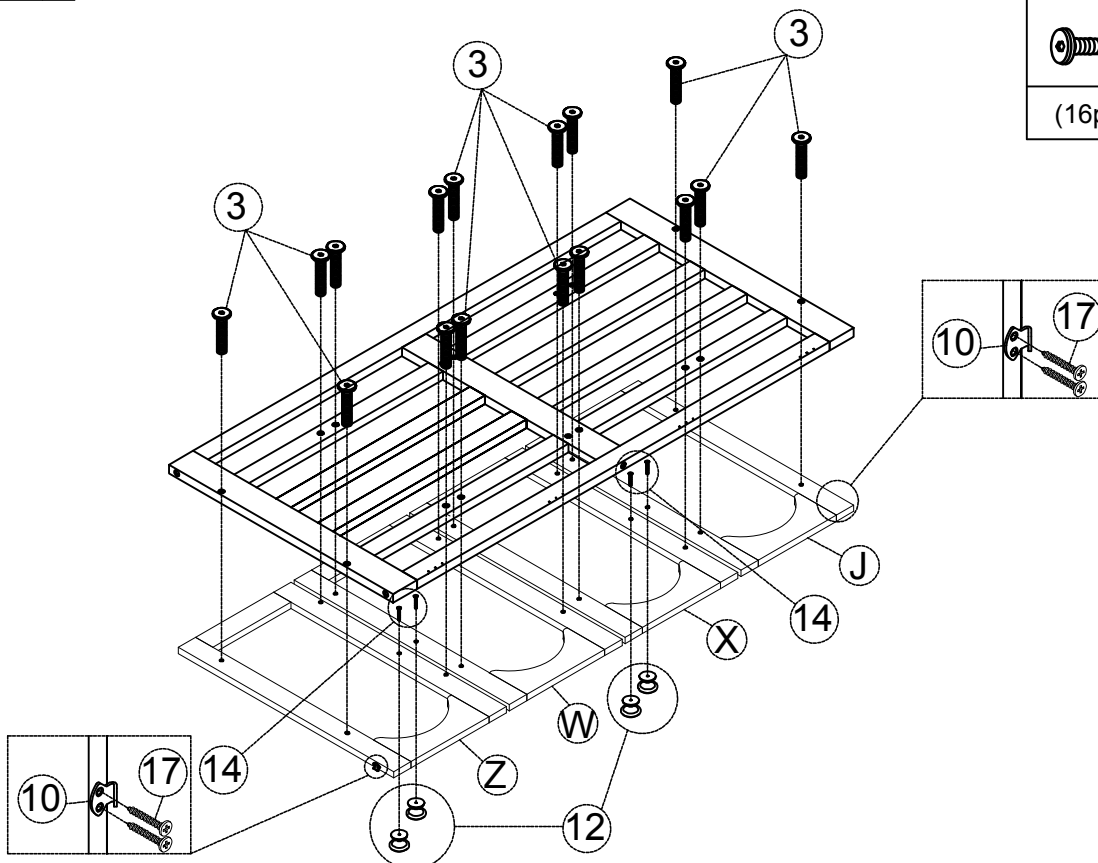


5



(4pcs)

STEP 10



3



(16pcs)

12



(4pcs)

14



(4pcs)

10



(2pcs)

17



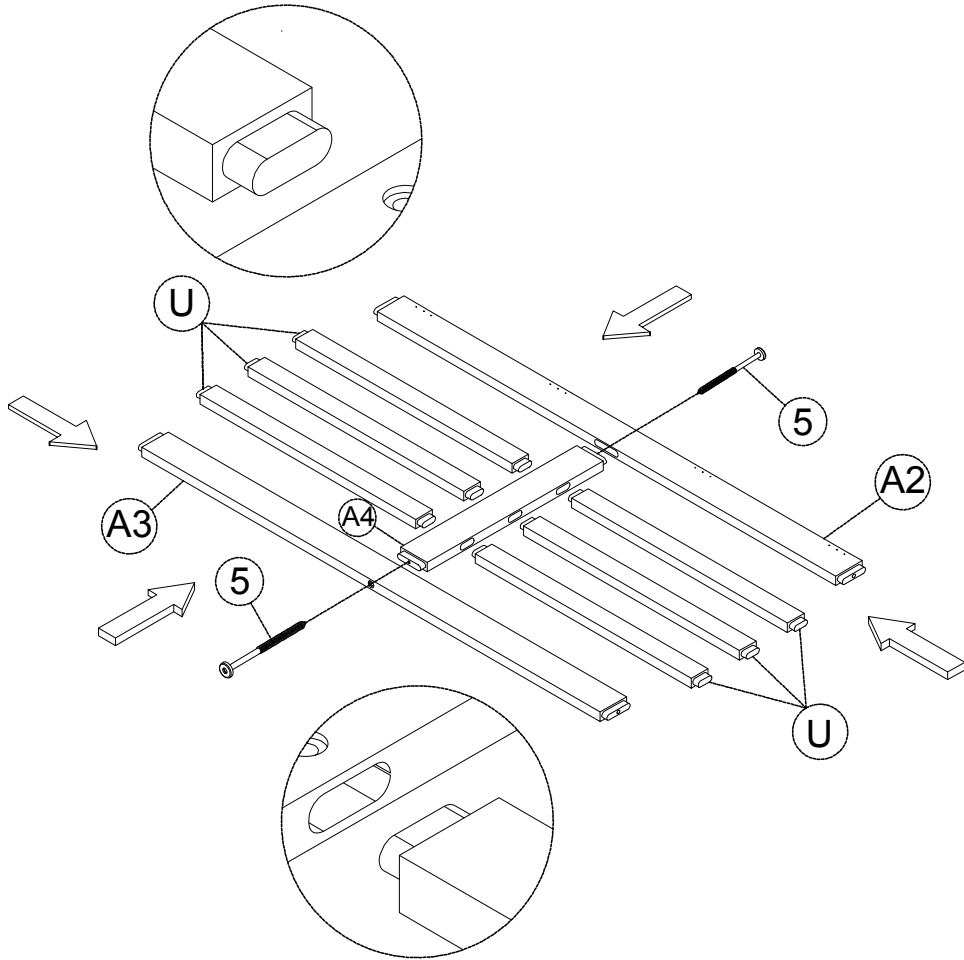
(4pcs)

STEP 11

5



(2pcs)

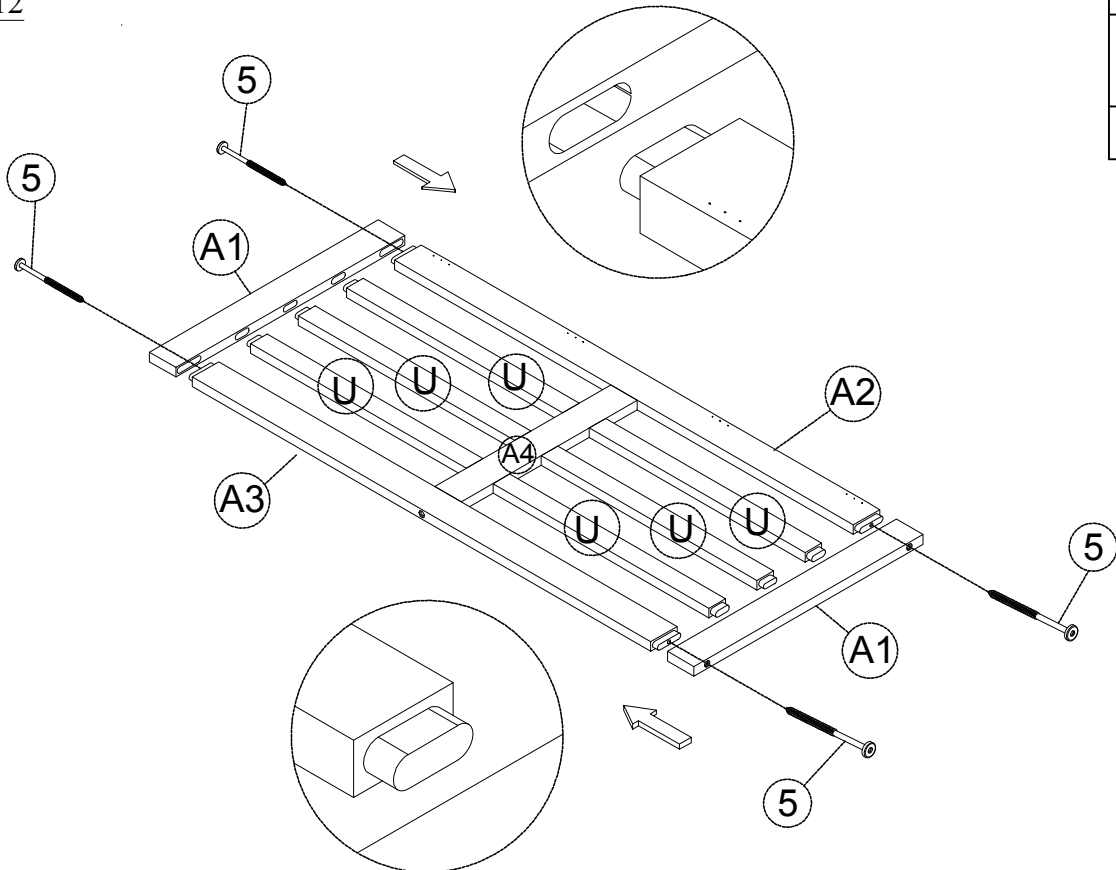


STEP 12

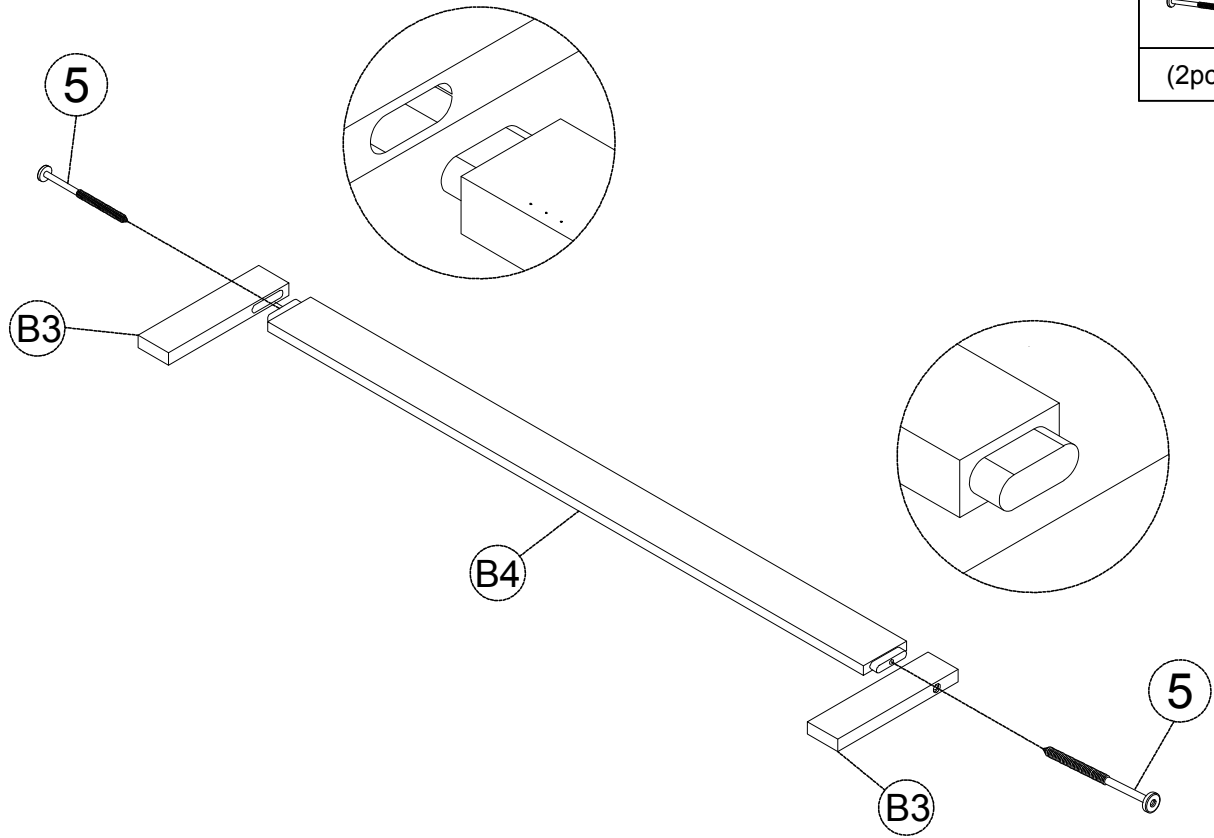
5




(4pcs)

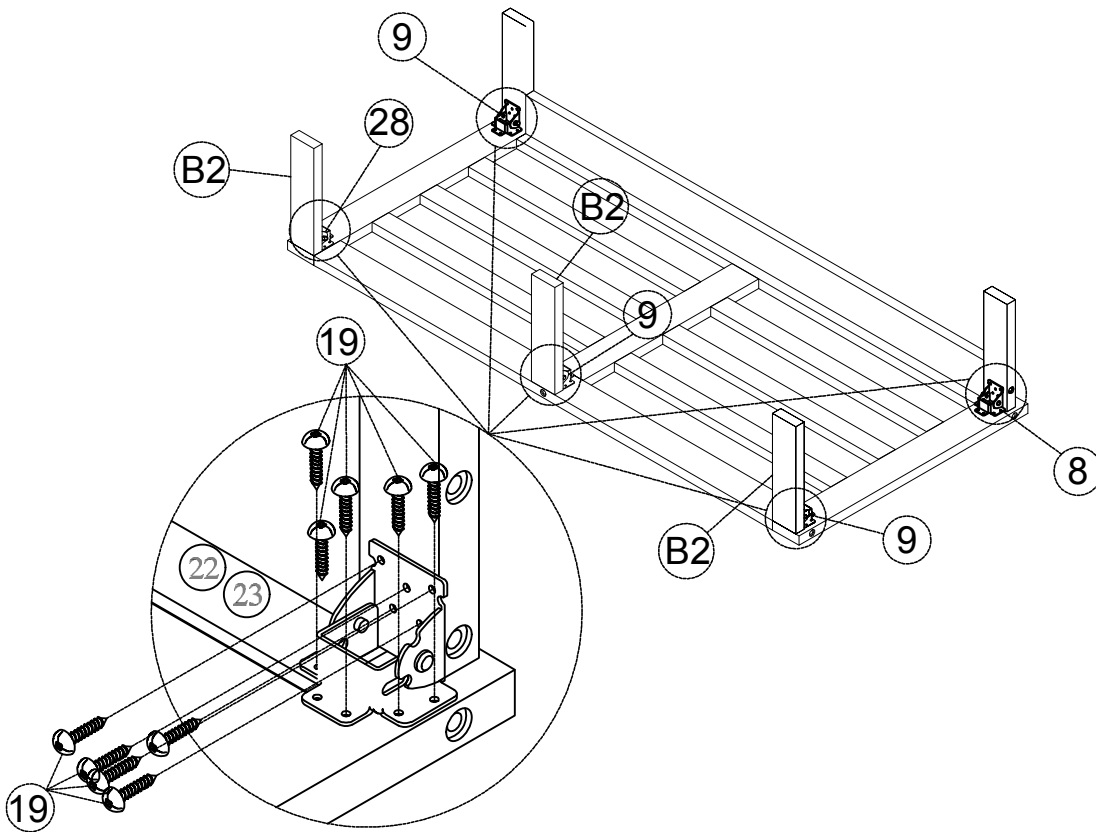




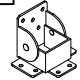

STEP 13



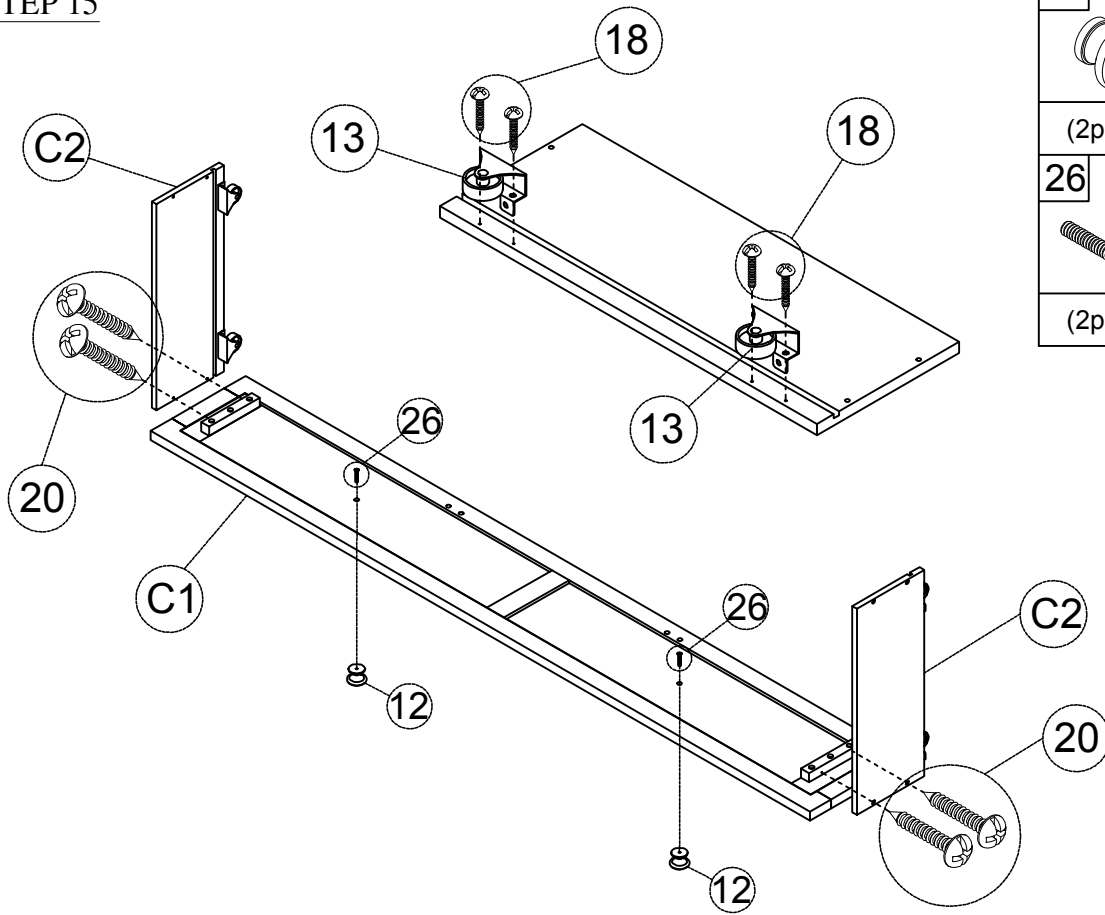
- | |
|---|
| 5 |
|  |
| (2pcs) |

STEP 14



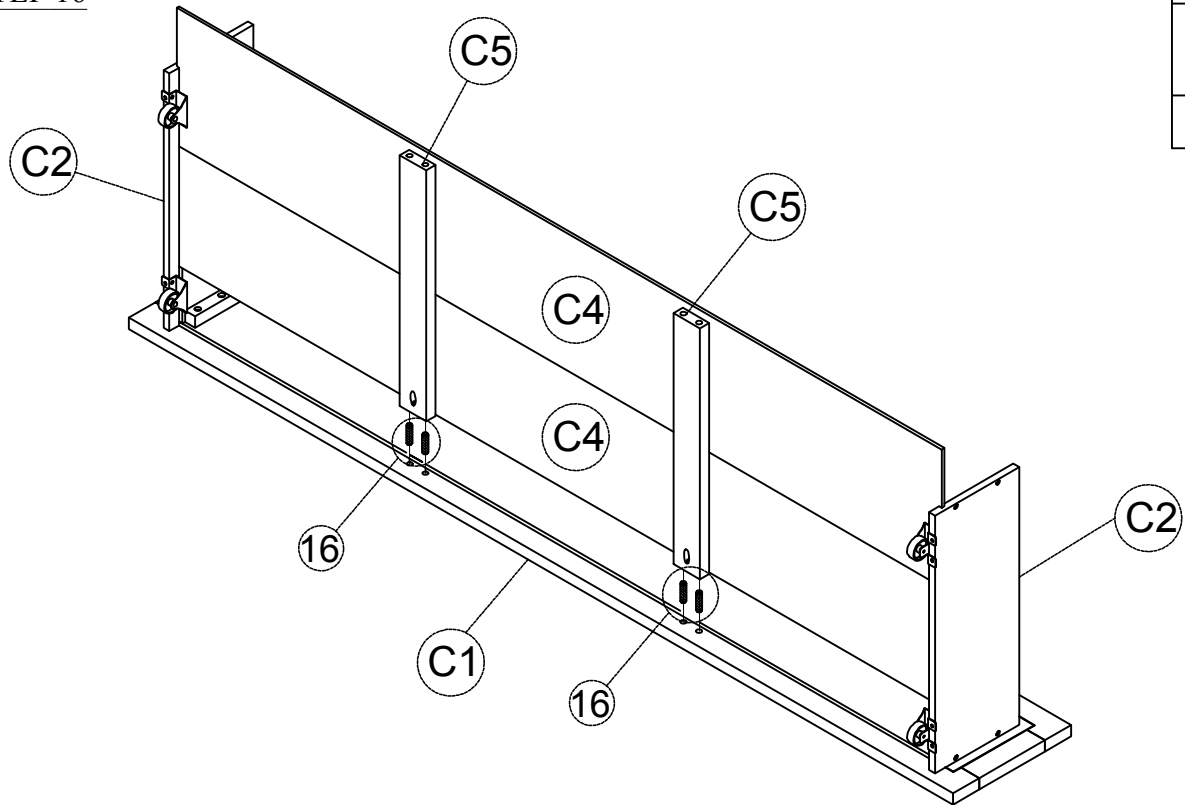
- | |
|---|
| 19 |
|  |
| (50pcs) |
| 9 |
|  |
| (3pcs) |
| 8 |
|  |
| (1pcs) |
| 28 |
|  |
| (1pc) |

STEP 15



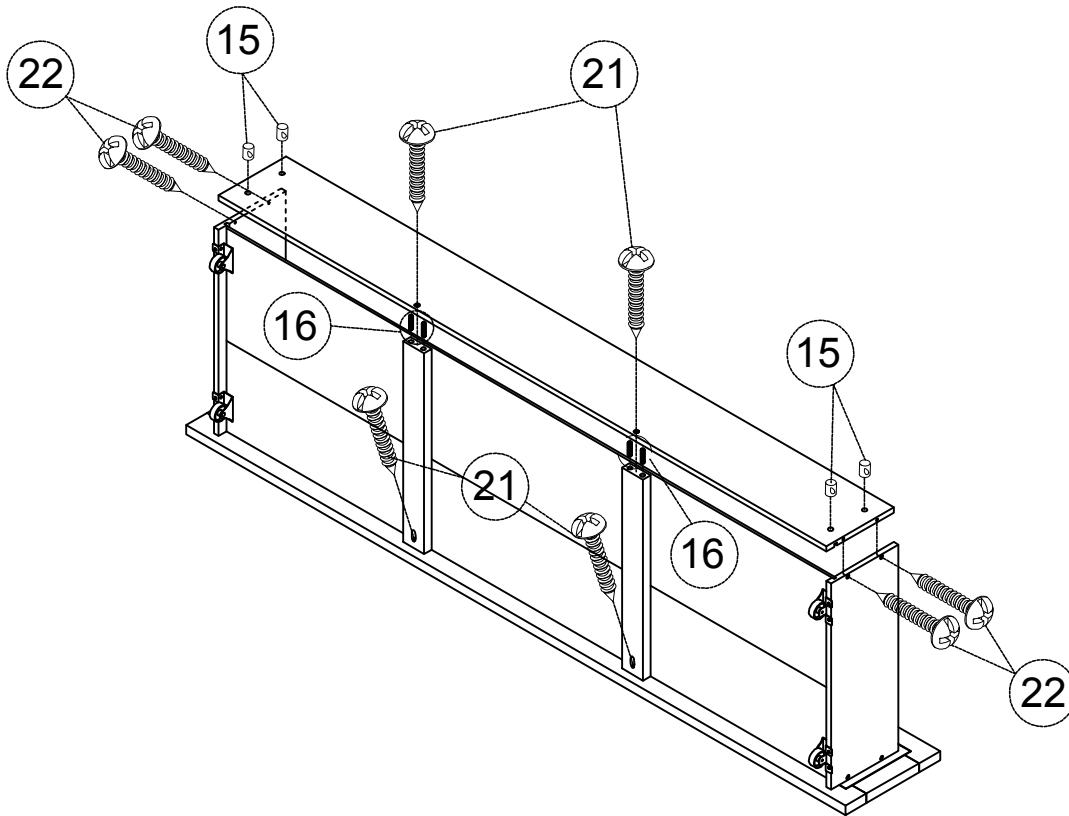
12	13
(2pcs)	(4pcs)
26	18
(2pcs)	(8pcs)
	20
	(4pcs)





STEP 16



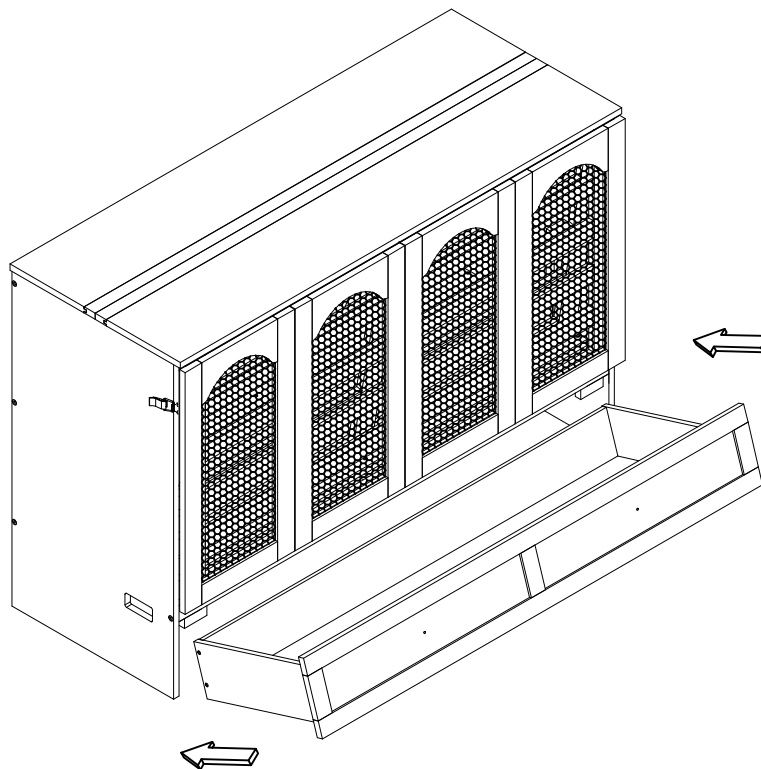
16
(4pcs)

STEP 17



- | | |
|--------|---|
| 16 |  |
| (4pcs) | |
| 21 |  |
| (4pcs) | |
| 22 |  |
| (4pcs) | |
| 15 |  |
| (4pcs) | |

STEP 18



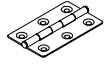
STEP 19

17



(64pcs)

6

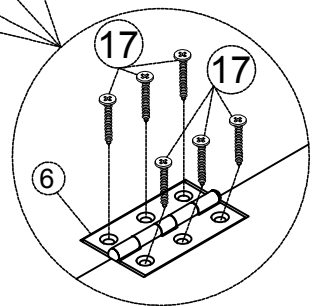
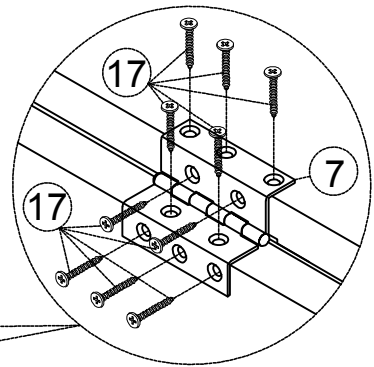
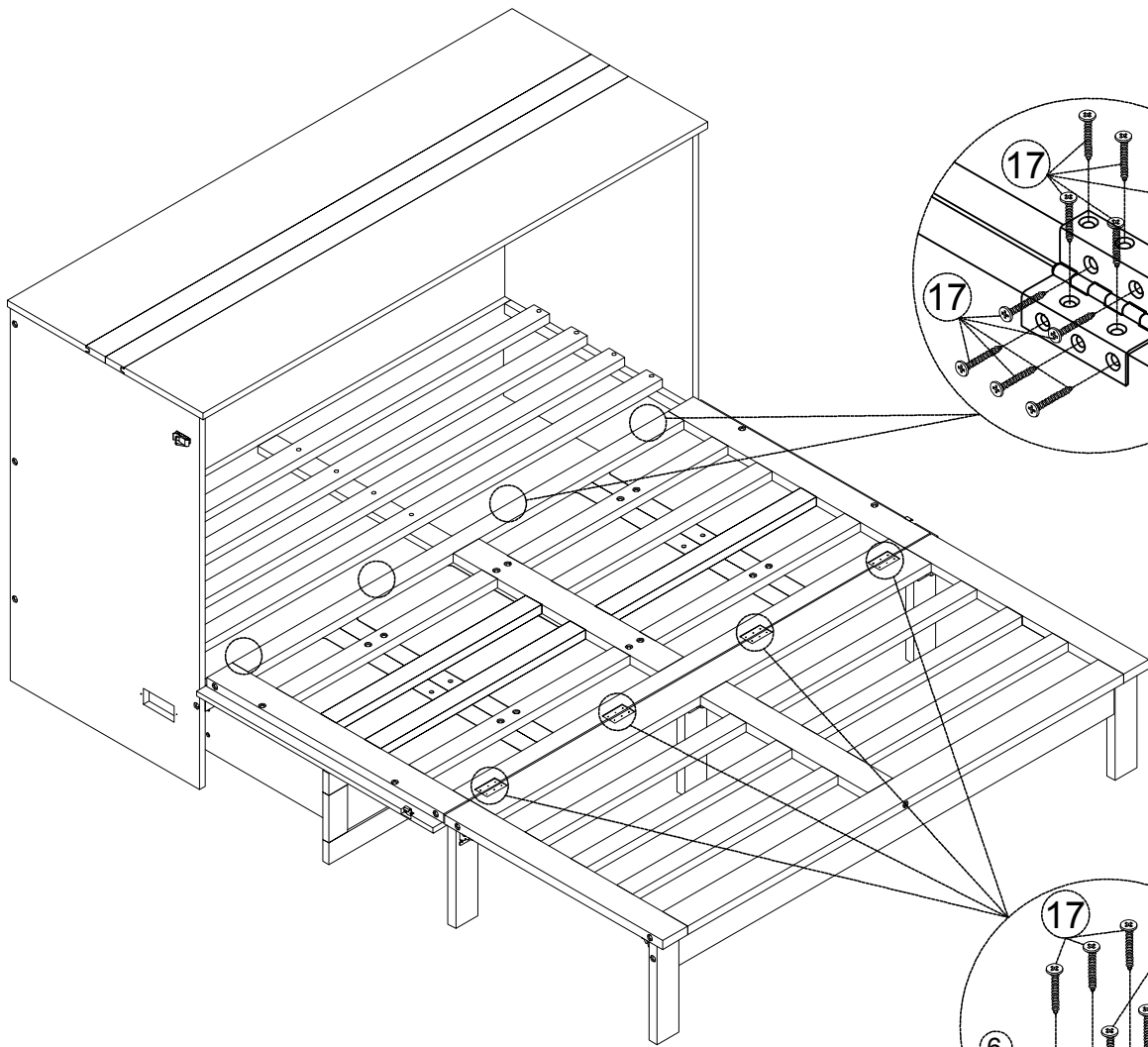


(4pcs)

7

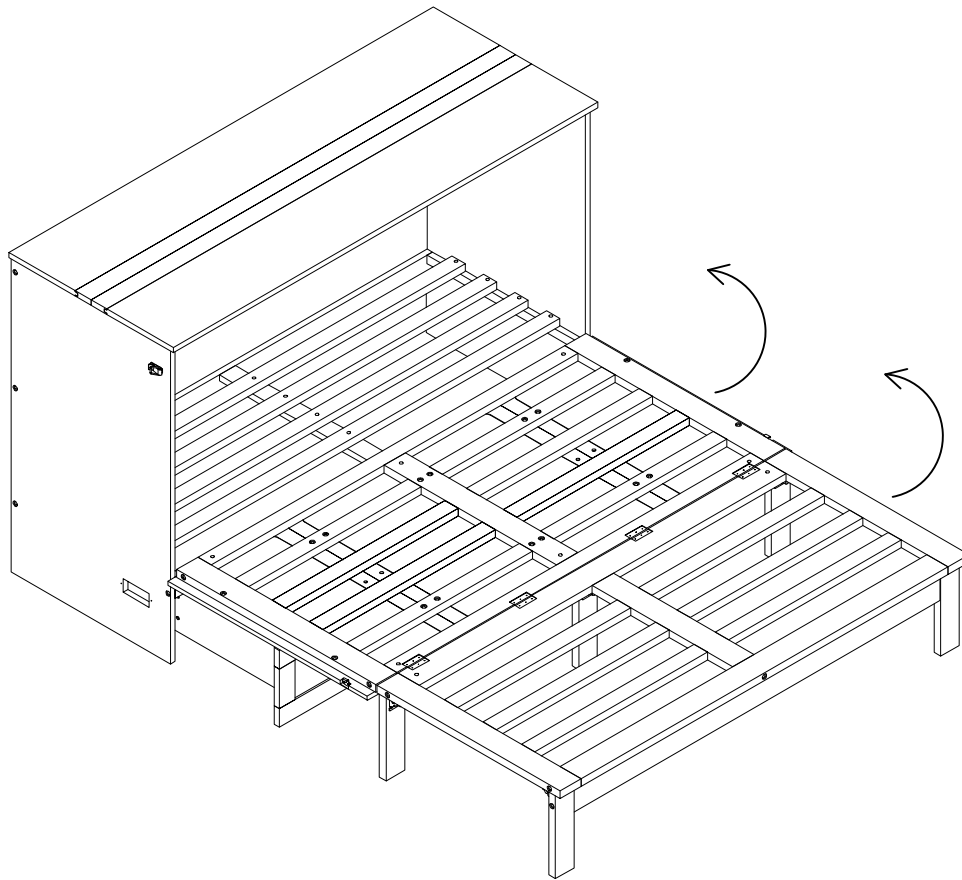


(4pcs)



STEP 20

*** The Drawer Must Be Extended to a Minimum of Two-Thirds of its Full Length Before Lowering Down the Bed Frame.



FINAL:

