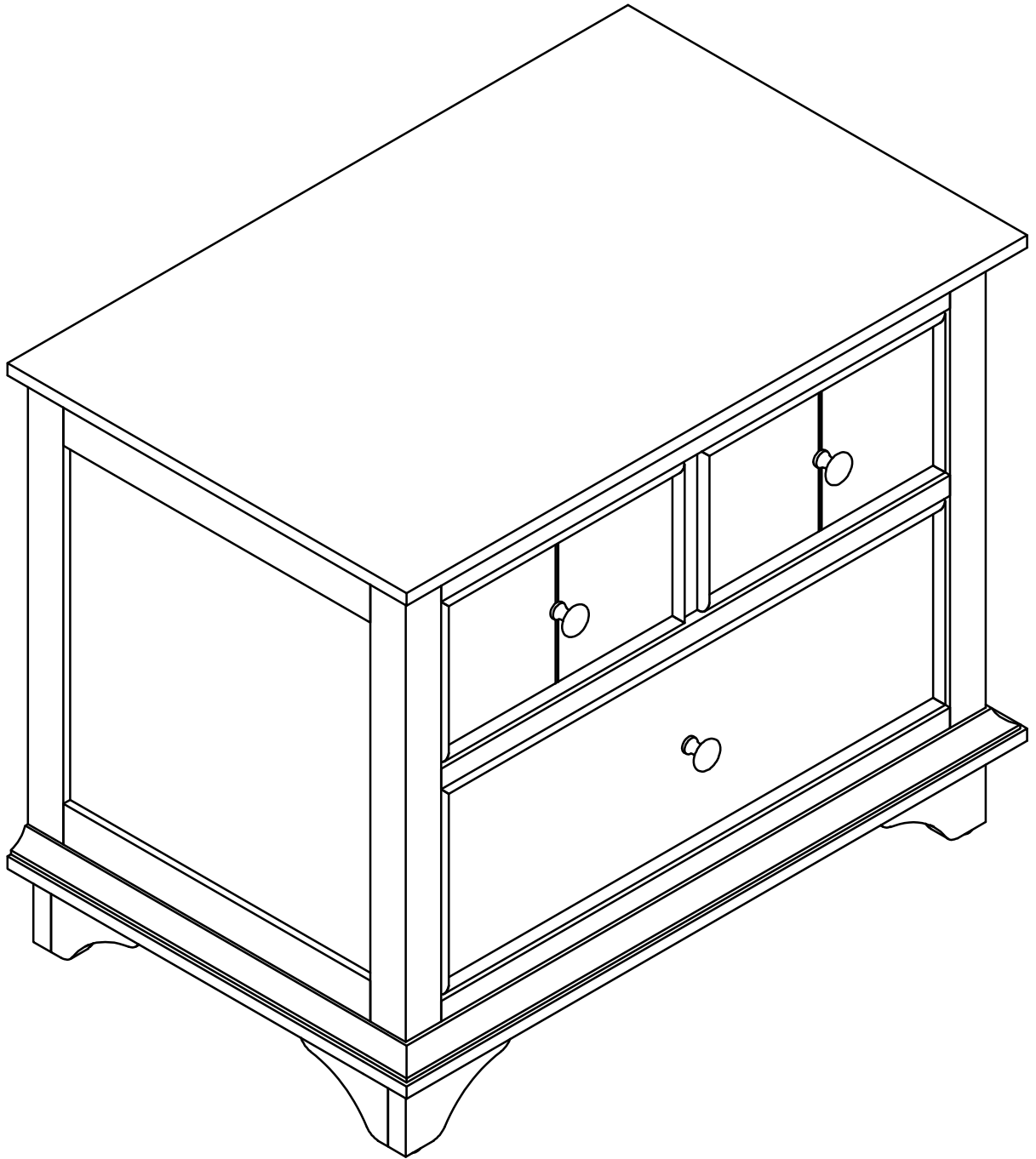
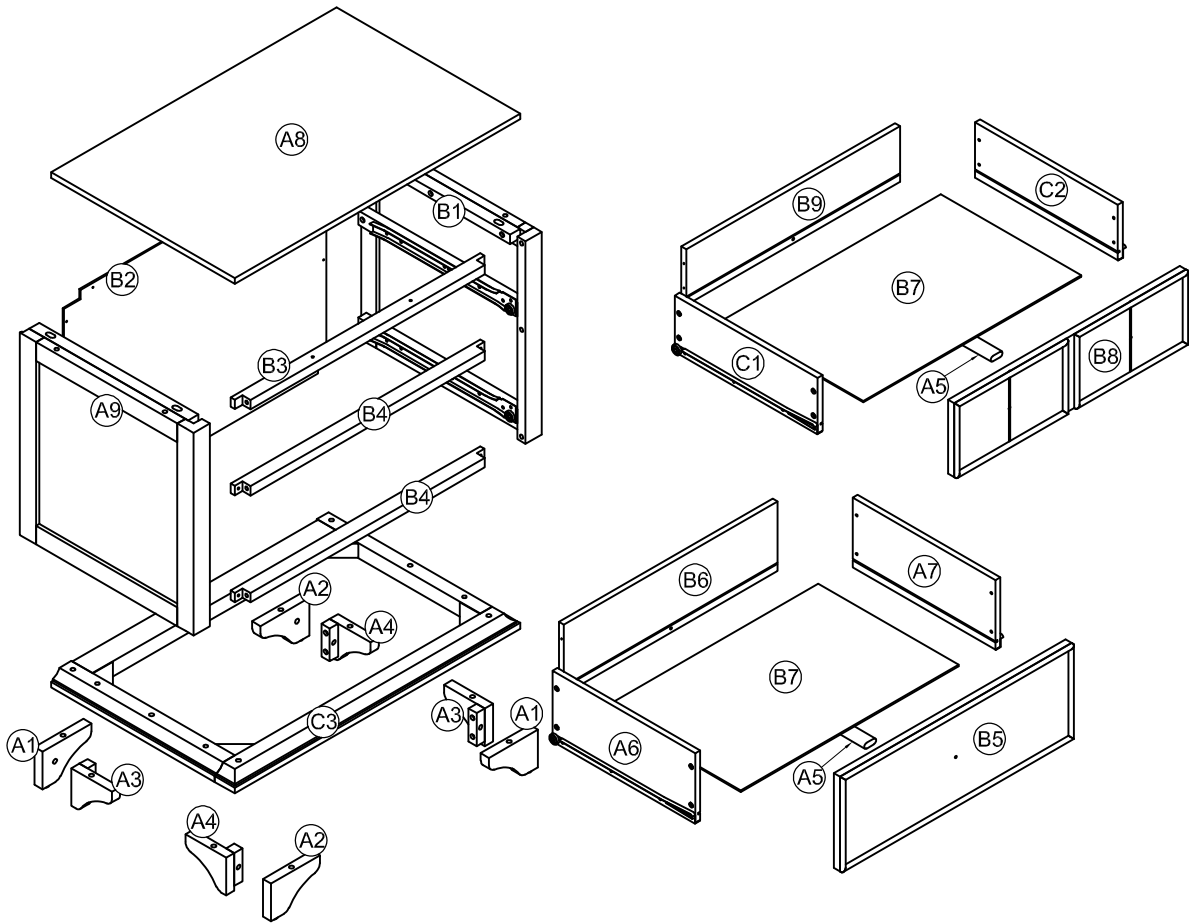


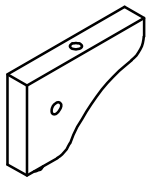
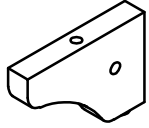
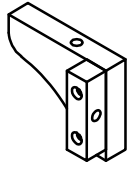
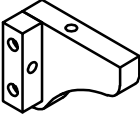
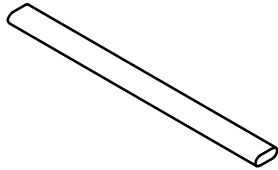
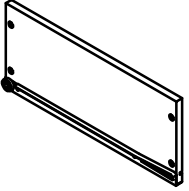
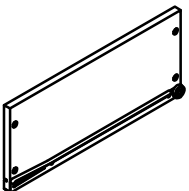
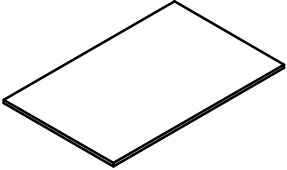
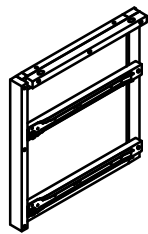
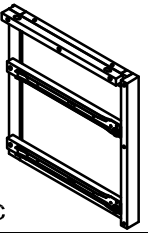
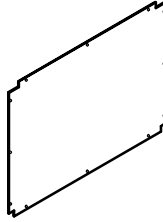
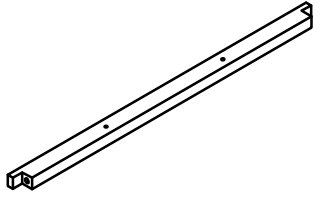
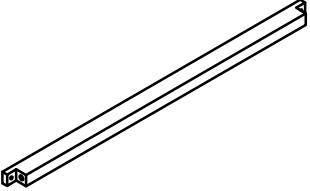
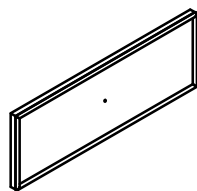
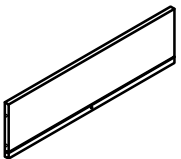
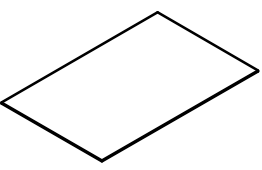
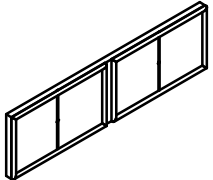
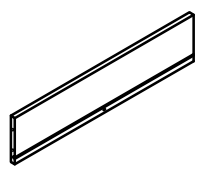
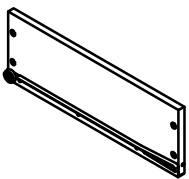
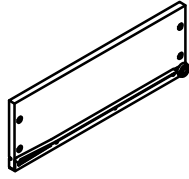
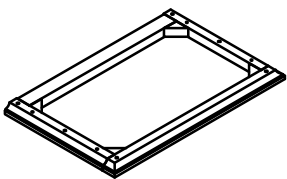
ASSEMBLY INSTRUCTION






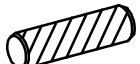







ASSEMBLY INSTRUCTION

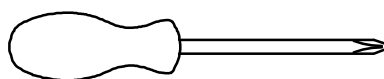


Part List & Hardware List

<p>A1</p>  <p>Leg- 2pcs</p>	<p>A2</p>  <p>Leg- 2pcs</p>	<p>A3</p>  <p>Leg- 2pcs</p>
<p>A4</p>  <p>Leg- 2pcs</p>	<p>A5</p>  <p>WoodBar-2pcs</p>	<p>A6</p>  <p>Drawer Left-1pc</p>
<p>A7</p>  <p>Drawer Right-1pc</p>	<p>A8</p>  <p>Top Panel-1pc</p>	<p>A9</p>  <p>Left frame- 1pc</p>
<p>B1</p>  <p>Right frame- 1pc</p>	<p>B2</p>  <p>Back panel-1pc</p>	<p>B3</p>  <p>WoodBar-1pc</p>
<p>B4</p>  <p>WoodBar-2pcs</p>	<p>B5</p>  <p>Drawer front -1pc</p>	<p>B6</p>  <p>Drawer Rear-1pc</p>
<p>B7</p>  <p>Drawer Bottom Panels-2pcs</p>	<p>B8</p>  <p>Drawer front -1pc</p>	<p>B9</p>  <p>Drawer Rear-1pc</p>
<p>C1</p>  <p>Drawer Left-1pc</p>	<p>C2</p>  <p>Drawer Right-1pc</p>	<p>C3</p>  <p>Bottom frame- 1pc</p>

Hardware List

<p>1</p>  <p>Ø1/4" x 35 mm Hex-Head bolts 8pcs</p>	<p>2</p>  <p>M4 x 25 mm Wood Screws 3pcs</p>	<p>3</p>  <p>Handle Wood 3pcs</p>
<p>4</p>  <p>Ø8 x 30 mm Wood dowel 14pcs</p>	<p>5</p>  <p>Ø14 / Ø6 x 1 mm Washer 4pcs</p>	<p>6</p>  <p>Allen Key 1pc</p>
<p>7</p>  <p>M4 x 15 mm Wood Screws 12pcs</p>	<p>8</p>  <p>Screws 1/4" x50 6pcs</p>	<p>9</p> <p>Đầu 13mm</p>  <p>Screws 1/4" x60 8pcs</p>
<p>10</p>  <p>M4 x 20 mm Wood Screws 4pcs</p>	<p>11</p>  <p>M4 x 30 mm Wood Screws 20pcs</p>	



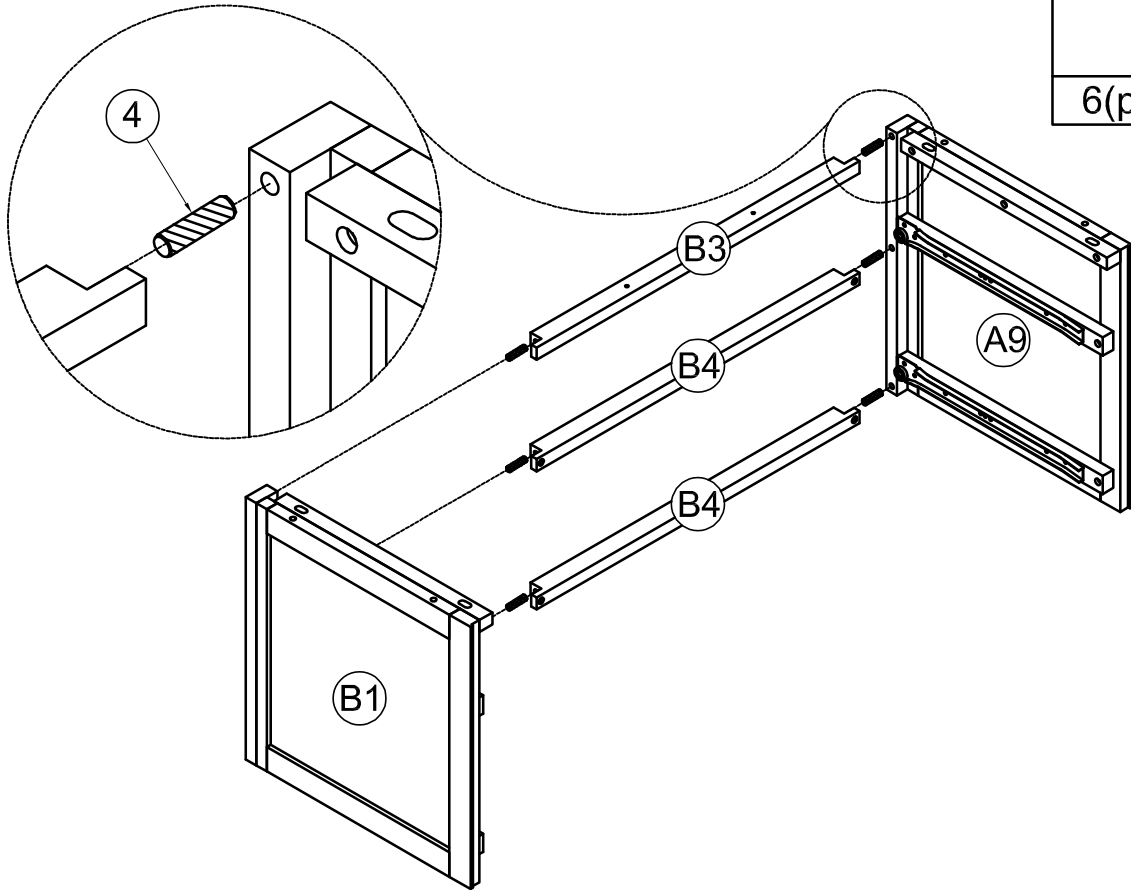
Assembly Tools Required (Not Included)

STEP 1: Following below illustration.

4



6(pcs)

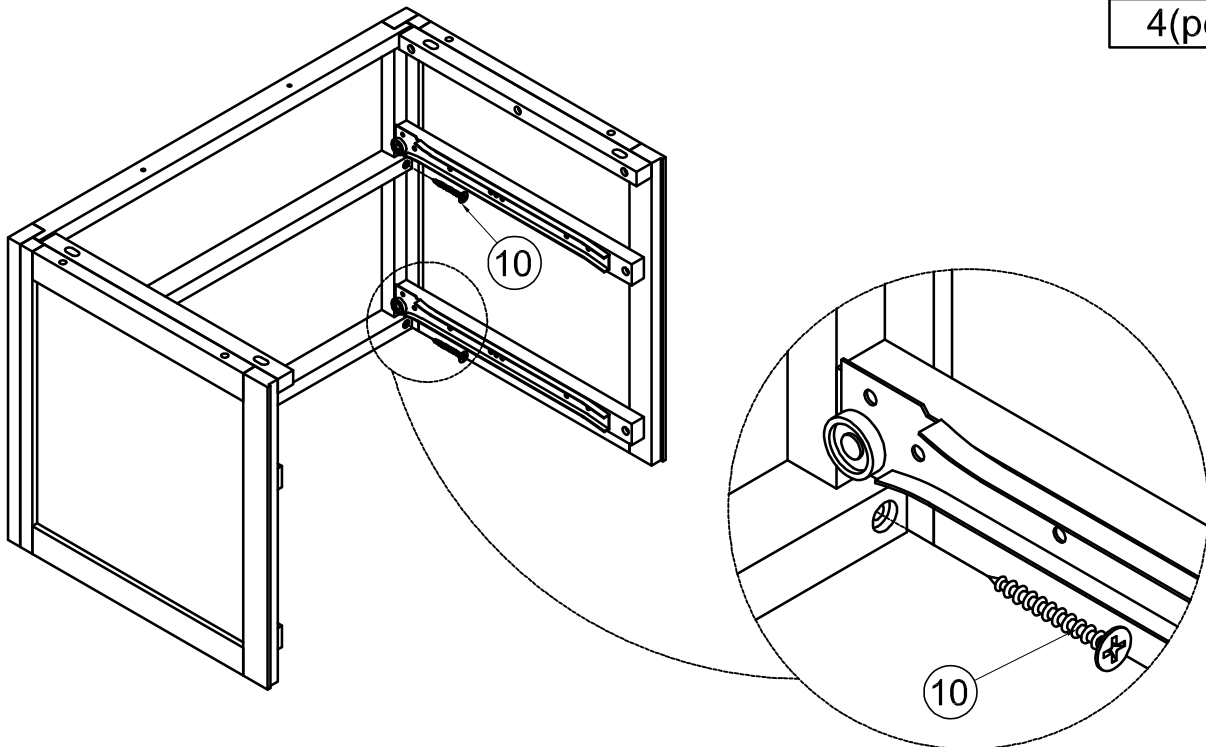


STEP 2: Following below illustration.

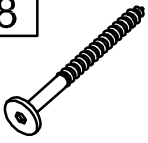

10

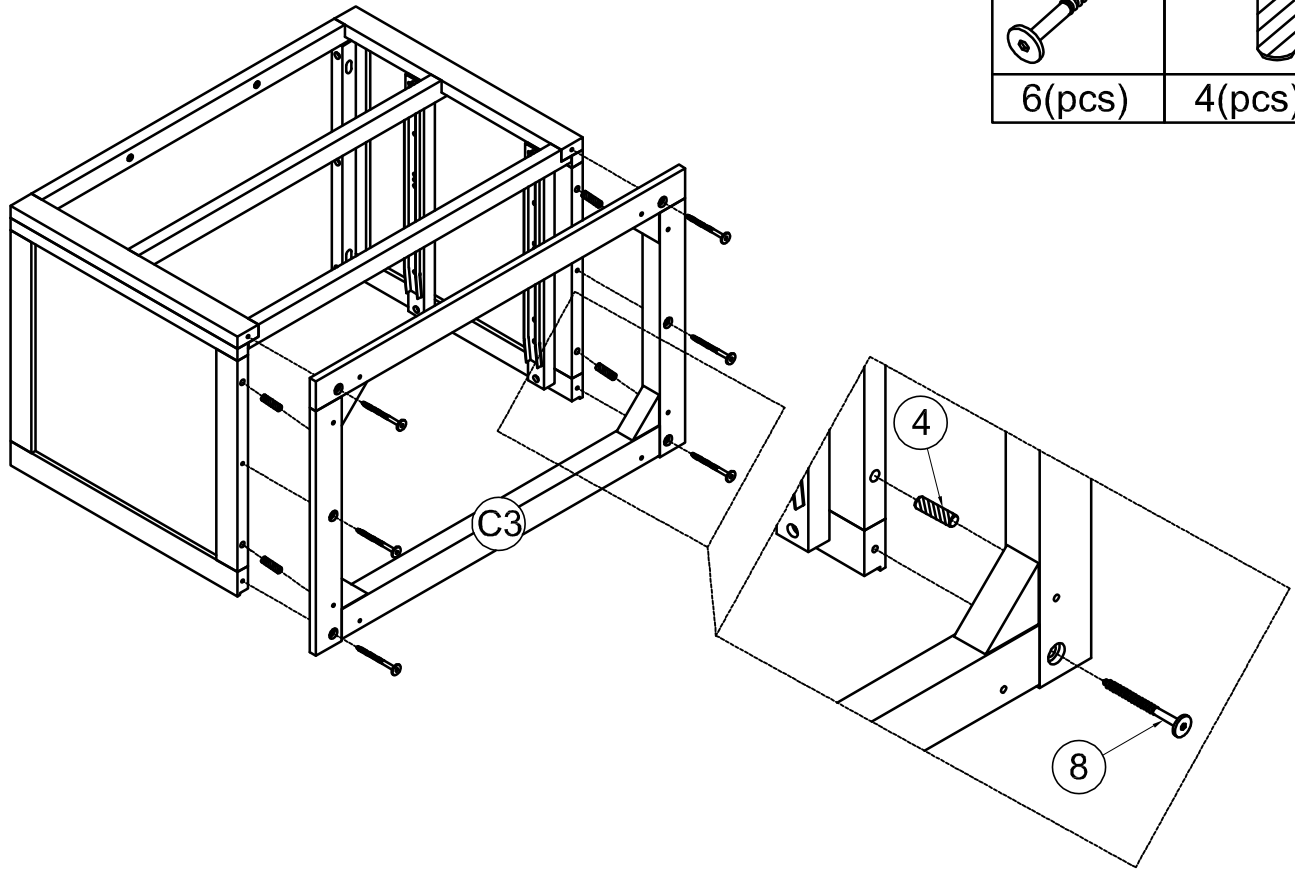


4(pcs)




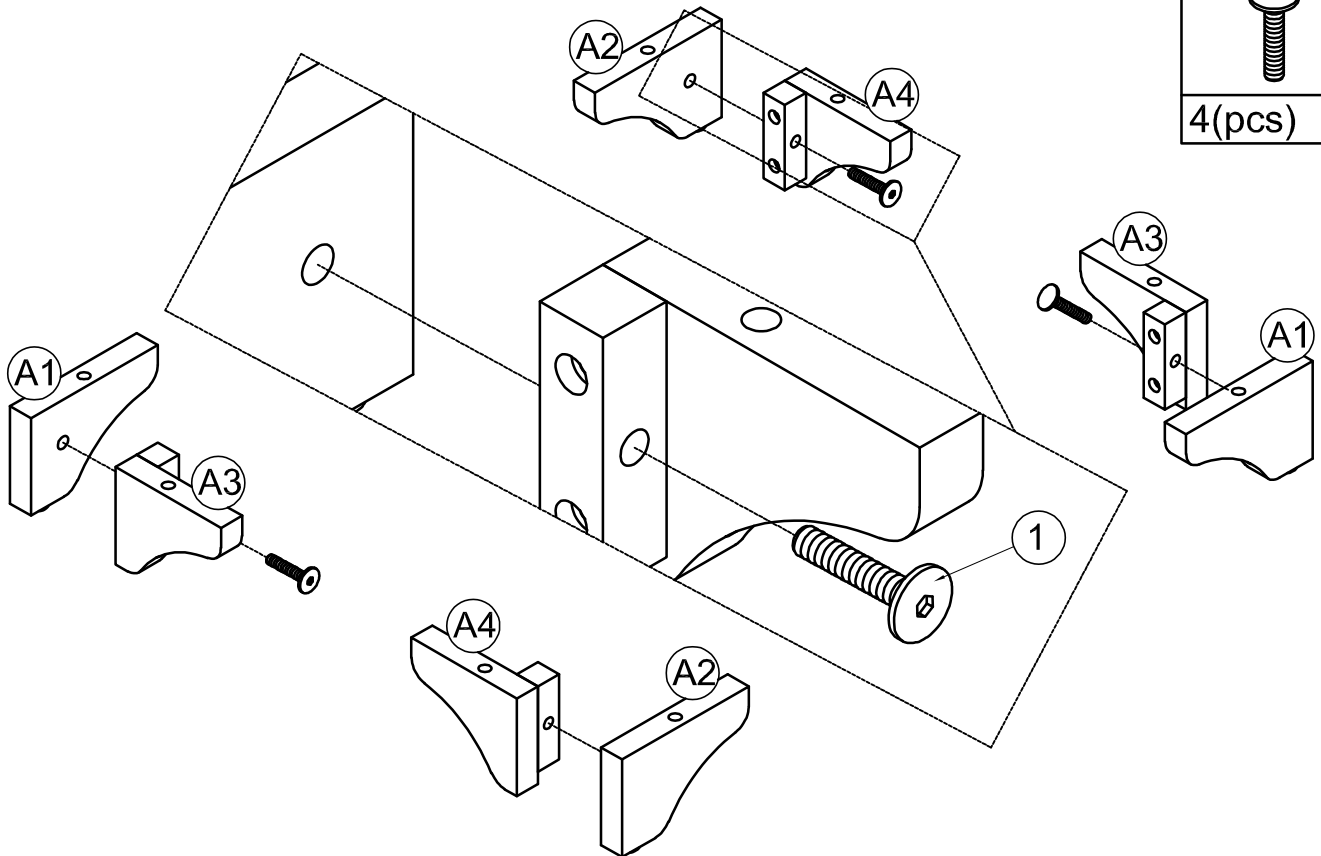
STEP3: Following below illustration.

8		4	
6(pcs)		4(pcs)	

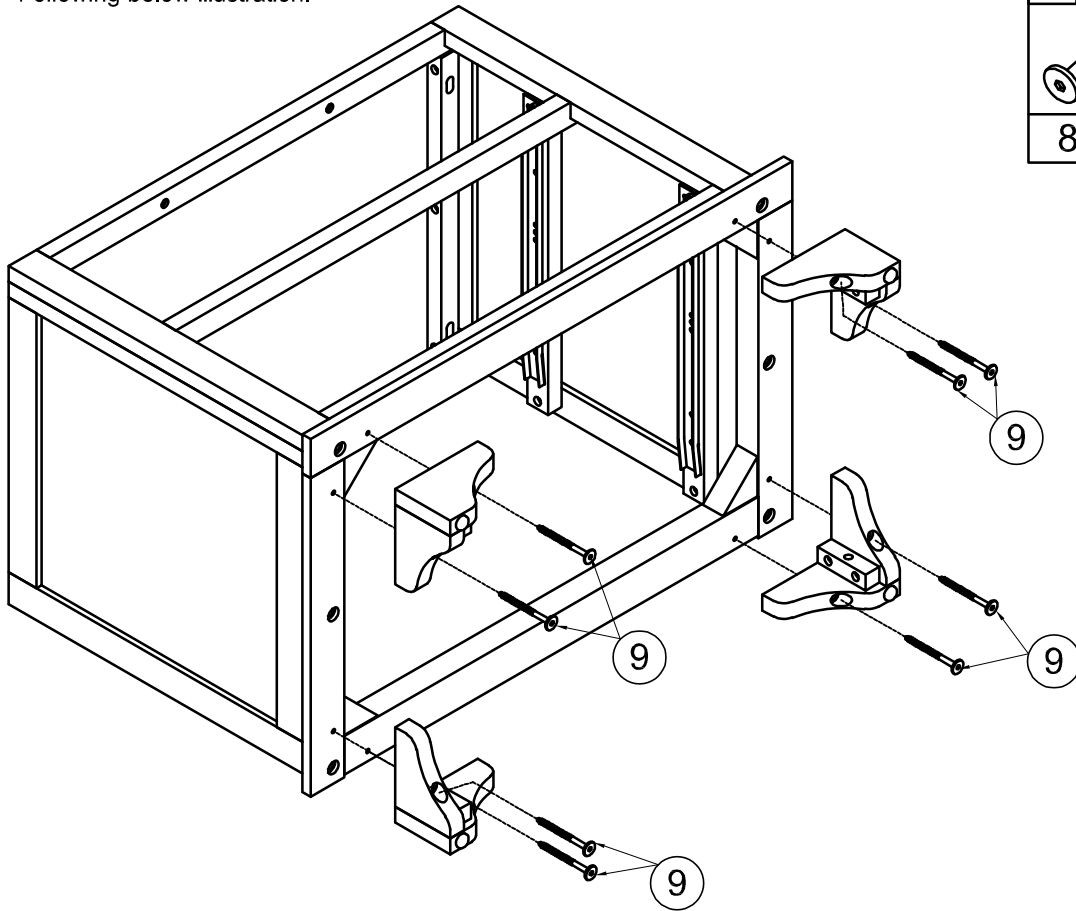


STEP4: Following below illustration.

1	
4(pcs)	

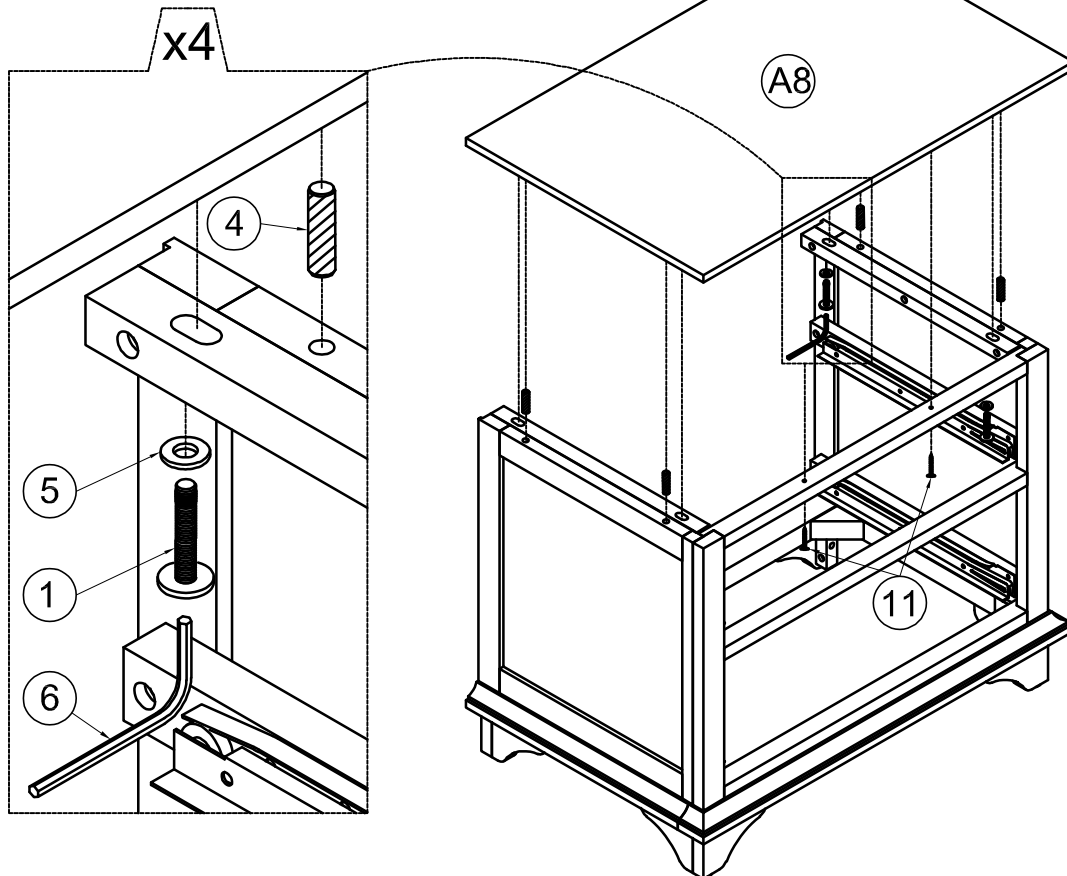


STEP5: Following below illustration.




- 9
- 8(pcs)

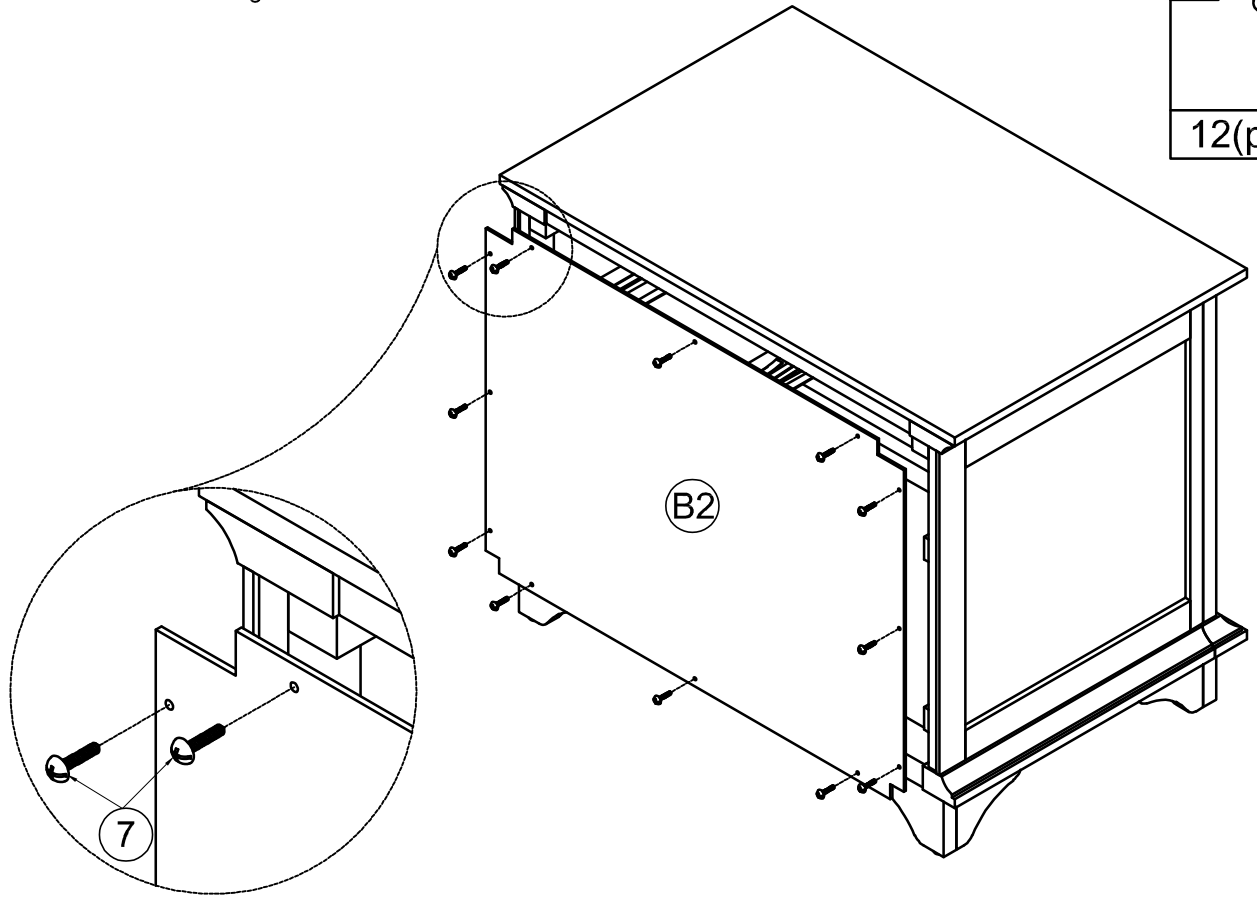
STEP6: Following below illustration.






- 1
- 4(pcs)
- 5
- 4(pcs)
- 4
- 4(pcs)
- 11
- 2(pcs)

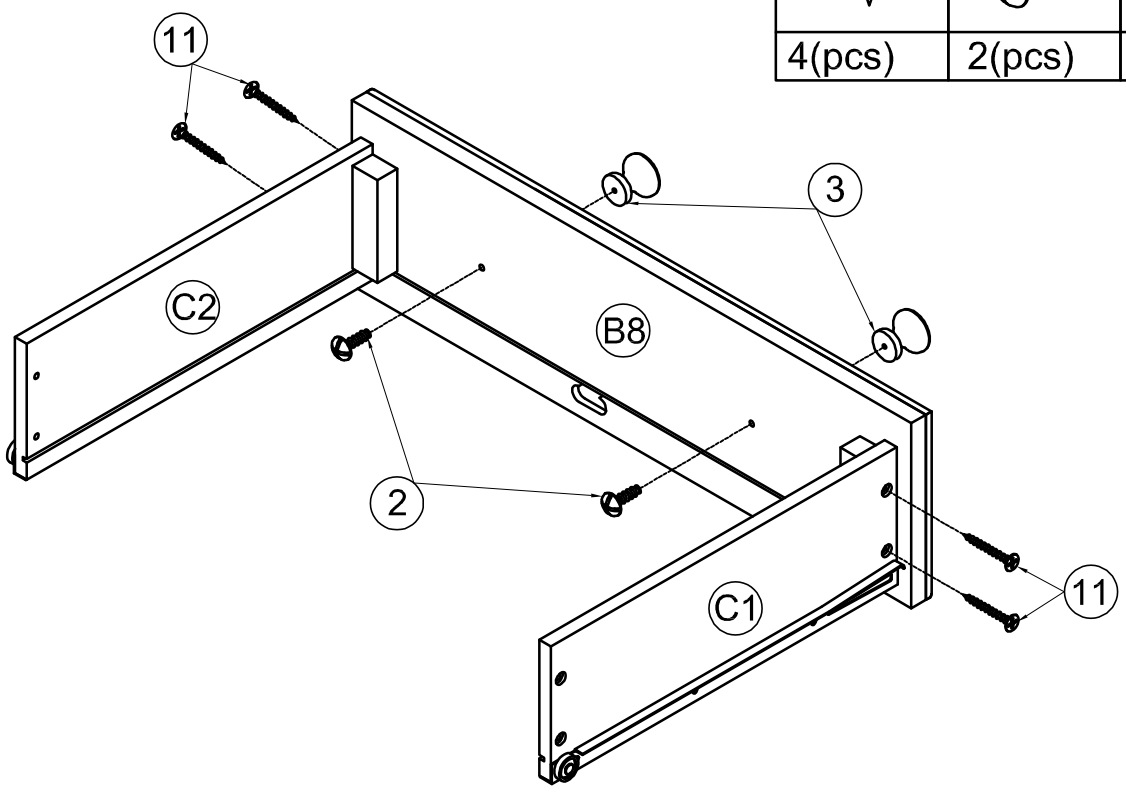
STEP7: Following below illustration.

7	
12(pcs)	




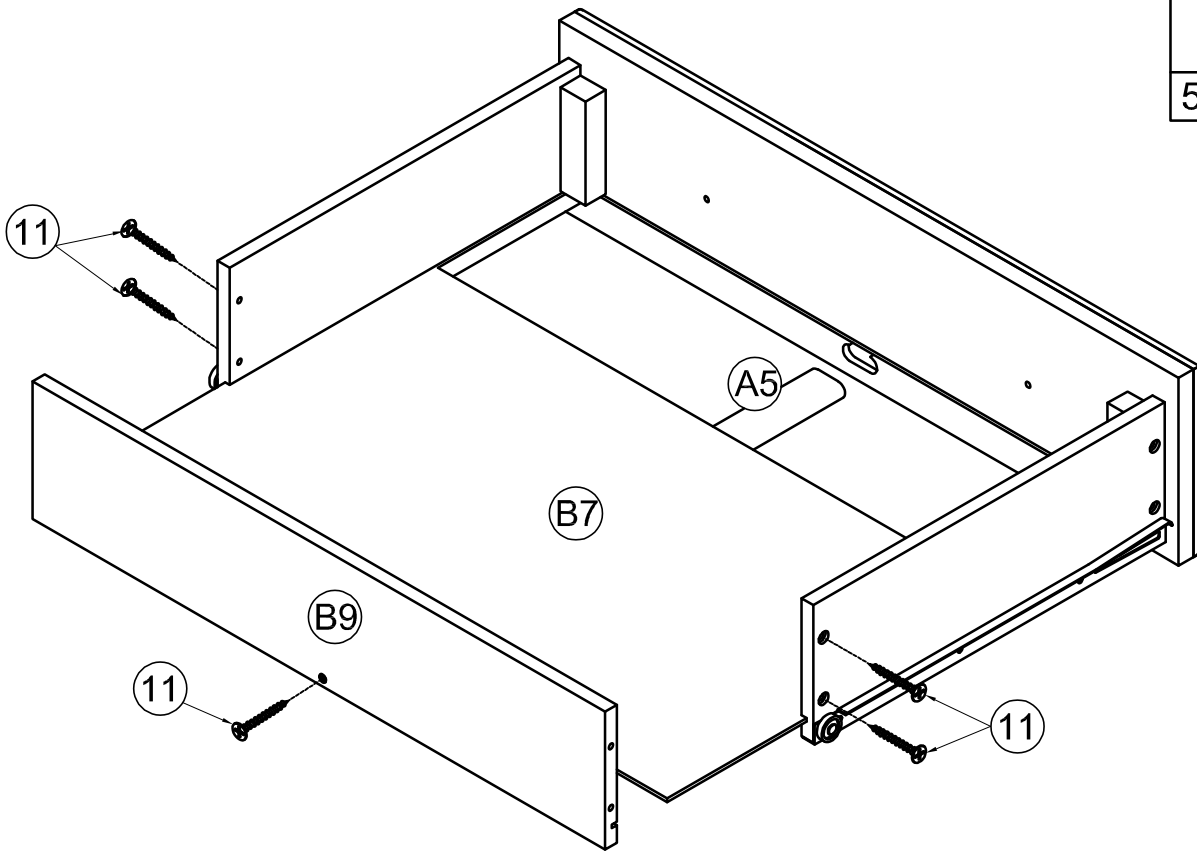
STEP8: Following below illustration.

11		2		3	
4(pcs)		2(pcs)		2(pcs)	






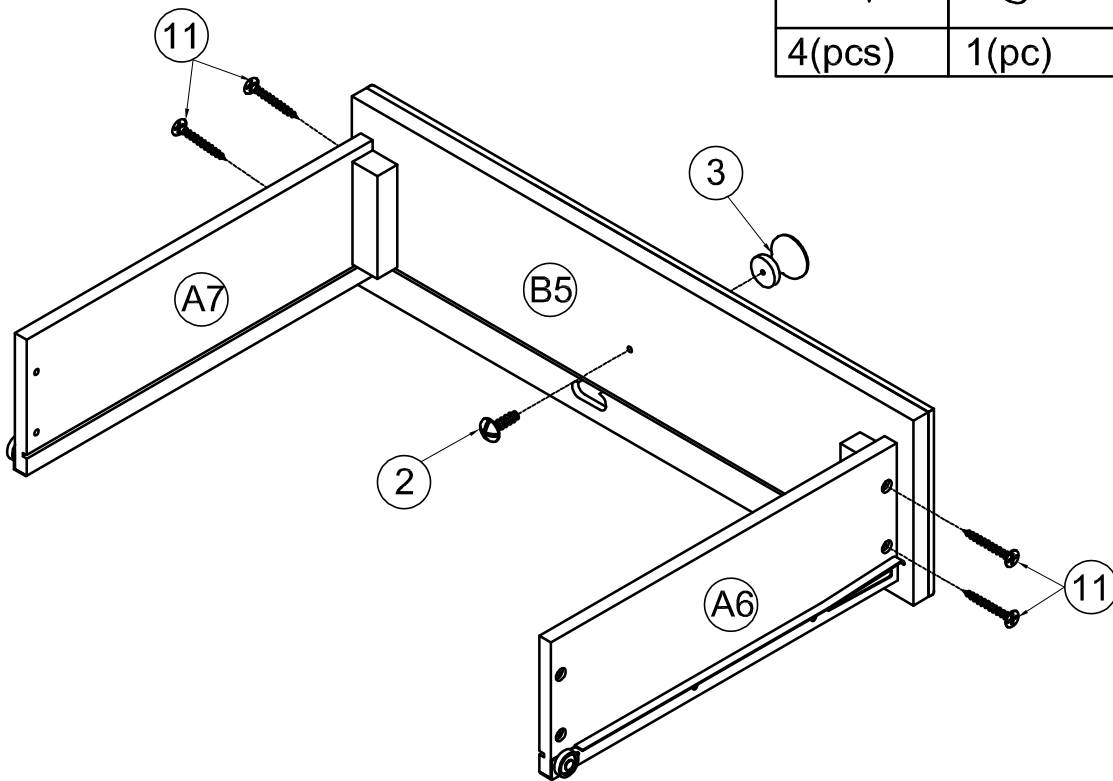
STEP9: Following below illustration.

11	
5(pcs)	



STEP10: Following below illustration.

11		2		3	
4(pcs)		1(pc)		1(pc)	

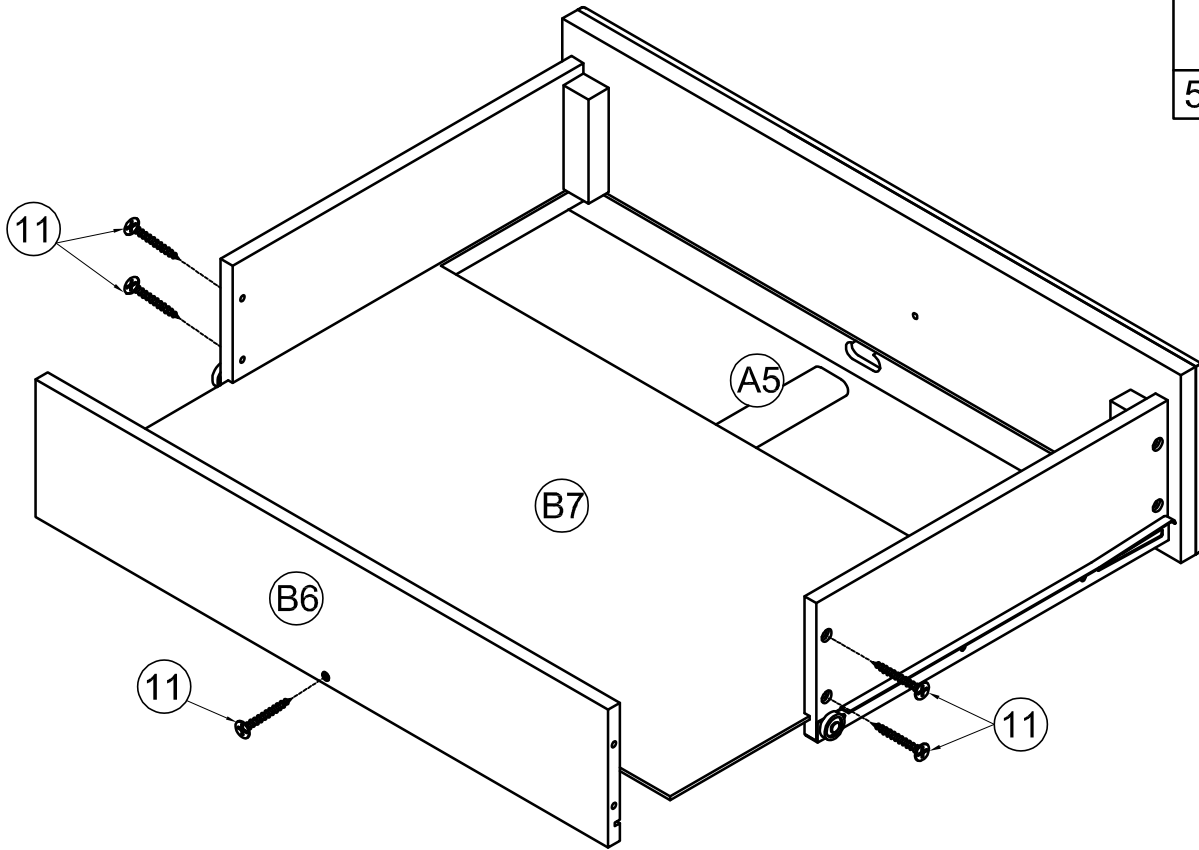


STEP 11: Following below illustration.

11



5(pcs)



STEP 12: Following below illustration.

