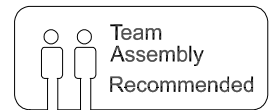
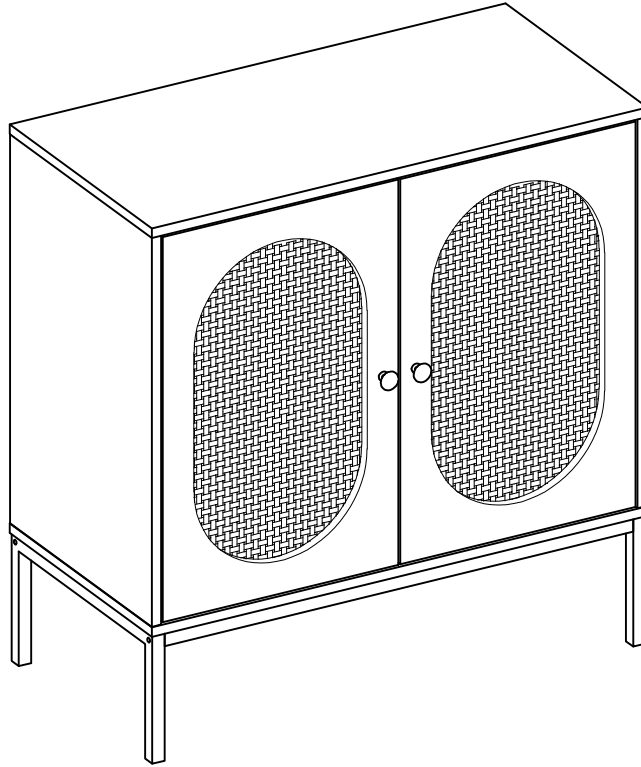


Assembly Instruction



Trouble shooting:

Missing / Wrong / Broken parts and installation issues



Send email with your question pic, order NO. and screenshot of order details



Respond within 24 hours



Issue resolved

Tips!



1. Check all the components & screws are intact before assembling .
2. If you notice any pieces are missing or damaged please do not assemble and contact us immediately .
3. **Please send an email with you order number and issues, we will respond within 24 hours.**

IMPORTANT SAFETY INFORMATION

- Please carefully read the following instructions and caution warnings before assembling the product.
- Following this guide will ensure that you install, use and maintain the product properly.
- Please keep this installation and user manual/instructions for future reference in case you need to disassemble the product.
- Never allow children to climb onto the product. Ensure that you have special safety measures when children are around on their own.
- Be sure to check that all parts of the product are intact after you open the package.
- Do not assemble if you notice serious damage such as cracks or bends.
- During installation, please use work gloves for hand safety.
- Please assemble the unit on carpeted floor or the flat cardboard box to avoid scratching the surface or your floor while assembling on the floor.
- To assemble, please use the complimentary installation tools (Phillips screwdriver). Pay more attention to the direction of components at each steps.
- It is recommended that two people work together to assemble the product.

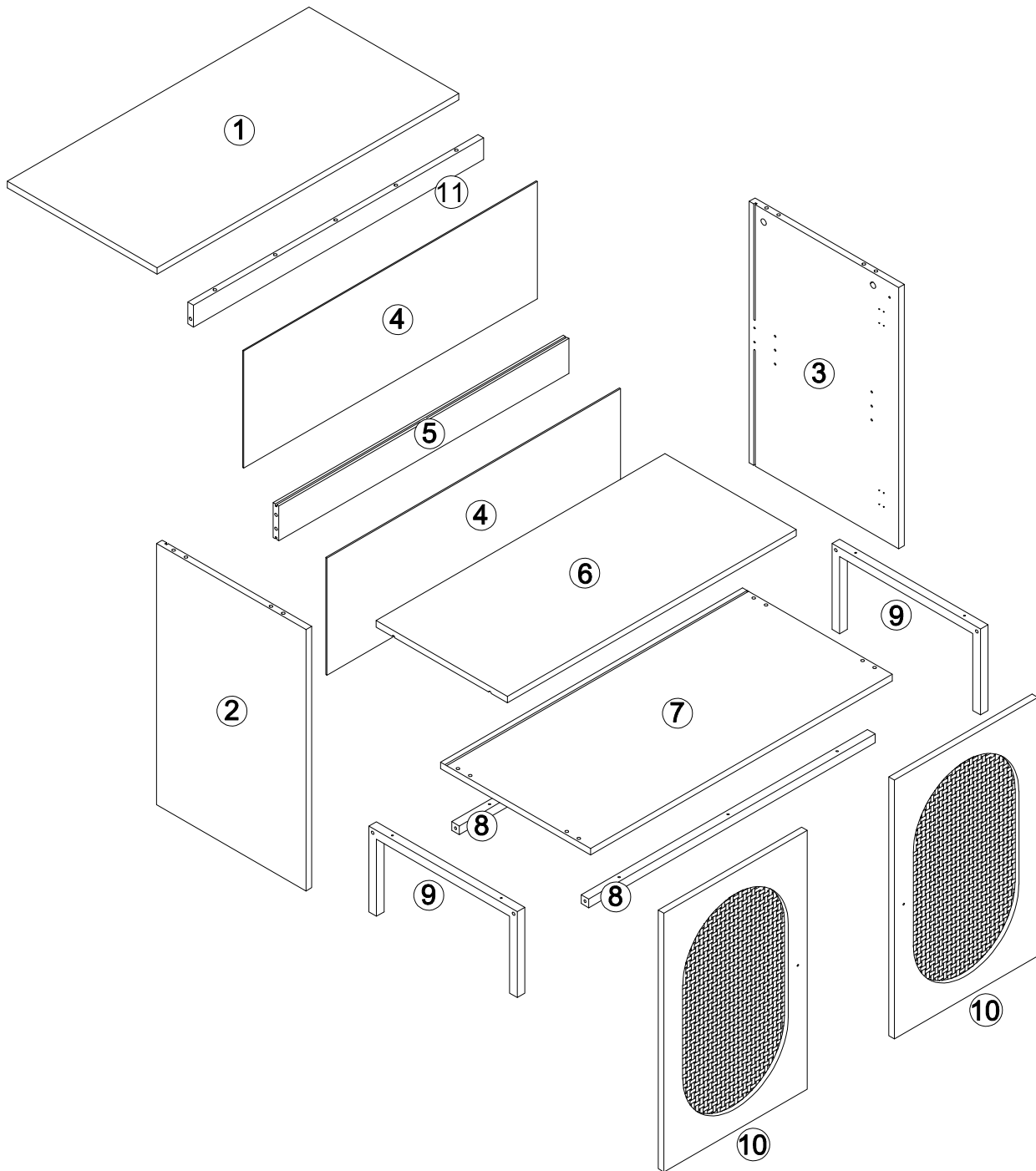
RETURN POLICY

- Please contact us directly within 30 days after receiving.
- Ensure the product is in a good condition with the original box and all original certificates of purchase, manuals, and accessories attached.

HOW TO MAINTAIN YOUR PRODUCT



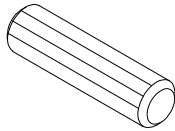
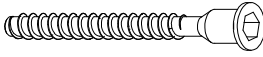
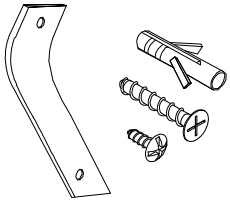

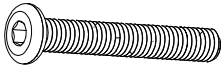
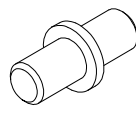
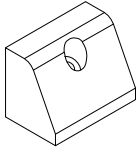

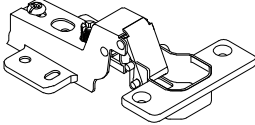
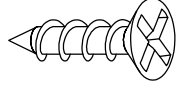
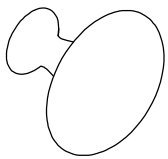
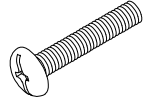
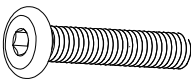

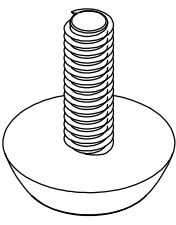
- Check the screws of the product are not loose from regular use.
- Do not use sharp instruments, rubbing alcohol, corrosive chemicals, or abrasive cleaners to clean the item.

Please check that you have all the parts listed below



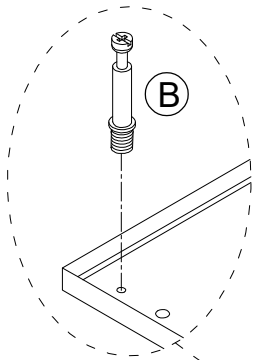
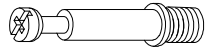
1	Top panel	X1	7	Bottom panel	X1
2	Left outer wall	X1	8	Bottom frame front/back rail	X2
3	Right outer wall	X1	9	Leg	X2
4	Back Board	X2	10	Door panel	X2
5	Rear stiffener plate	X1	11	Front tie	X1
6	Shelf panel	X1			

Please check that you have all the parts listed below

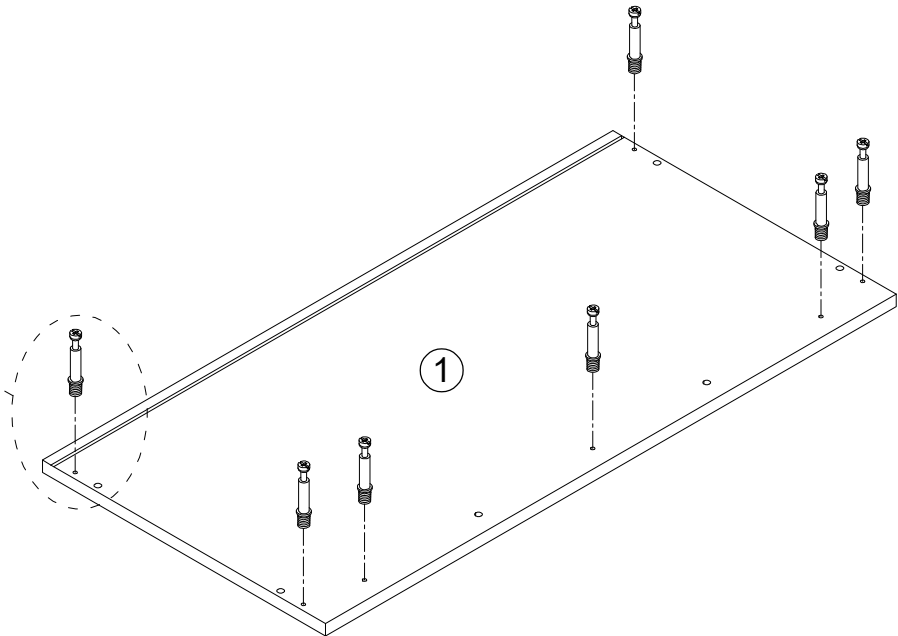
<p>(A) x 13+2pcs</p> 	<p>(B) x 13+2pcs</p> 	<p>(C) x 10+2pcs</p> 	<p>(D) x 4+1pc</p>  <p>Ø7*38mm</p>
<p>(E) x 2pcs</p> 	<p>(F) x 1pc</p> 	<p>(G) x 4+1pc</p>  <p>M6*50mm</p>	<p>(H) x 4+1pc</p> 
<p>(J) x 10+2pcs</p> 	<p>(K) x 10+2pcs</p>  <p>Ø6*Ø3*16mm</p>	<p>(L) x 4pcs</p> 	<p>(M) x 24+2pcs</p>  <p>Ø8*Ø4*14mm</p>
<p>(N) x 2pcs</p> 	<p>(O) x 2pcs</p>  <p>20mm</p>	<p>(P) x 10+2pcs</p>  <p>M6*30mm</p>	<p>(Q) x 1pc</p> 
<p>(R) x 4pcs</p> 			

1

(B) x 7pcs

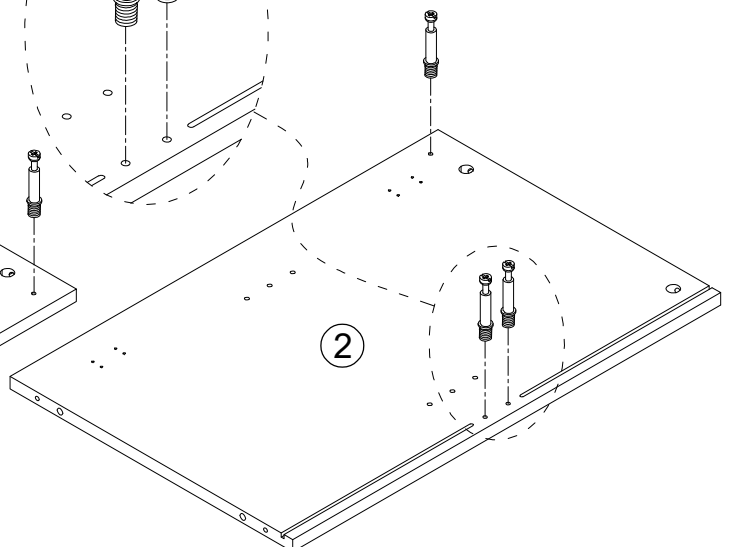
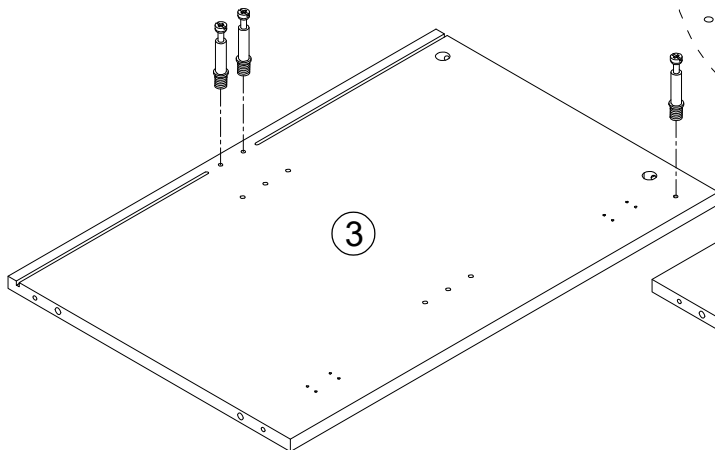
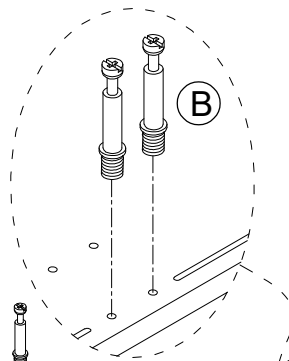
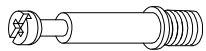


Insert the screw (B) into the board (1) as shown.



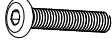
2

(B) x 6pcs

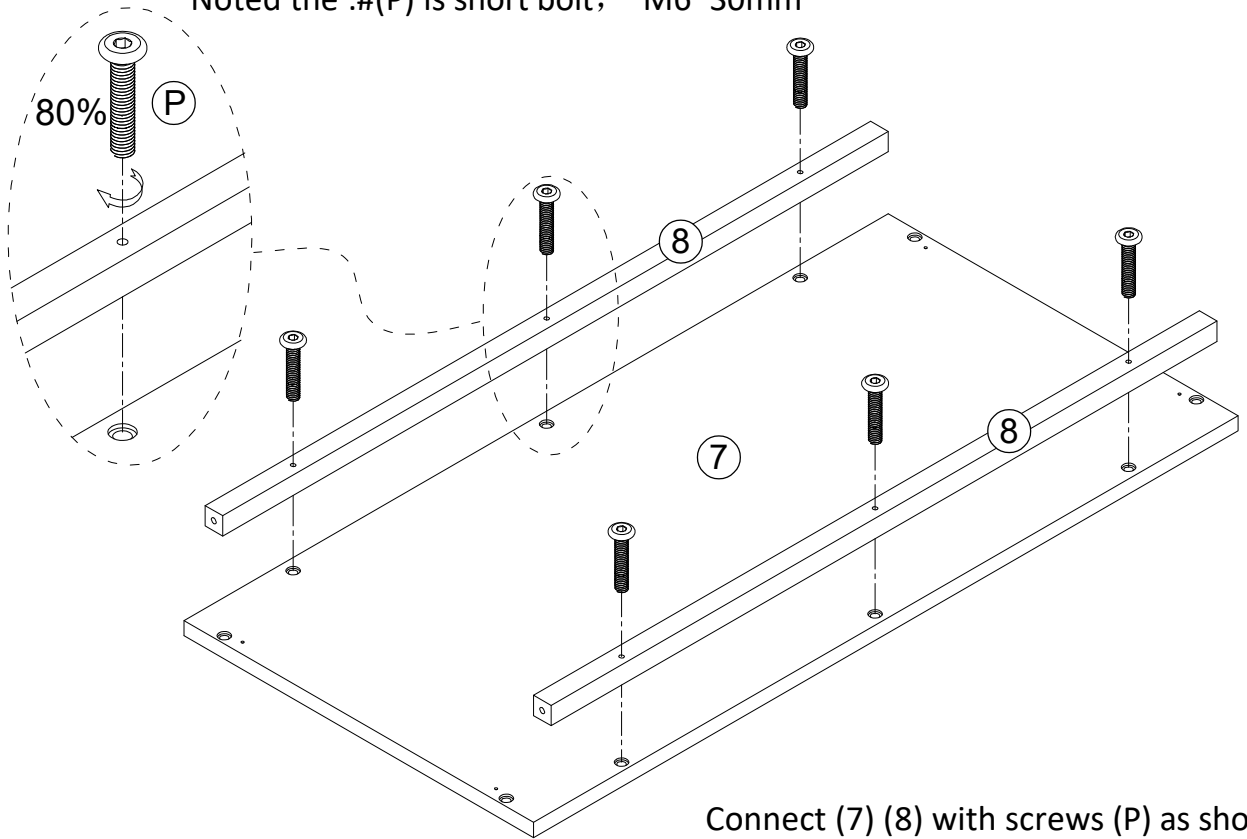


Insert the screw (B) into the board (2)(3) as shown.

3


(P) x 6pcs

 M6*30mm

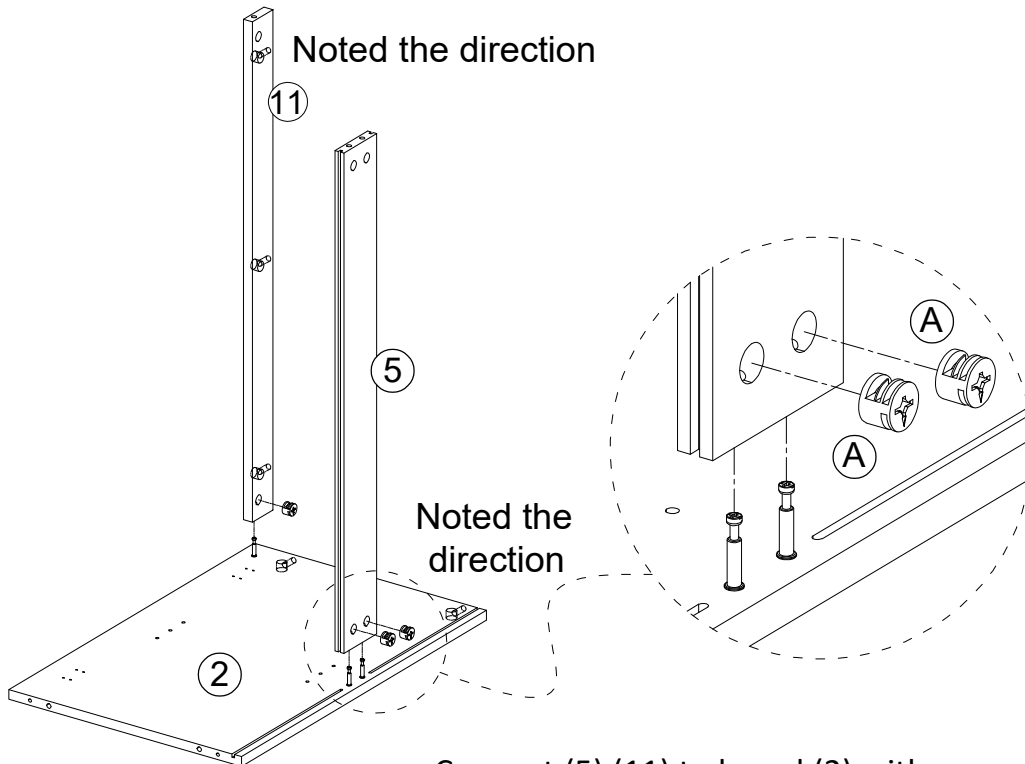
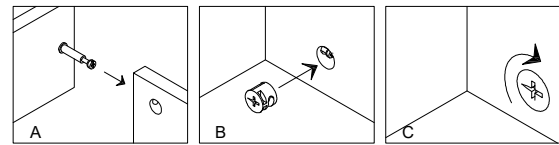
Noted the :#(P) is short bolt, M6*30mm



Connect (7) (8) with screws (P) as shown.

4

(A) x 3pcs




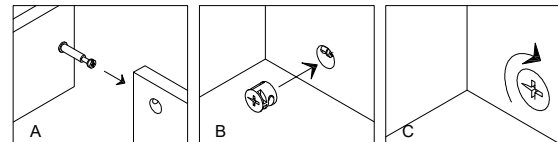
Noted the direction

Noted the direction

Connect (5) (11) to board (2) with screws (A) as shown.

5

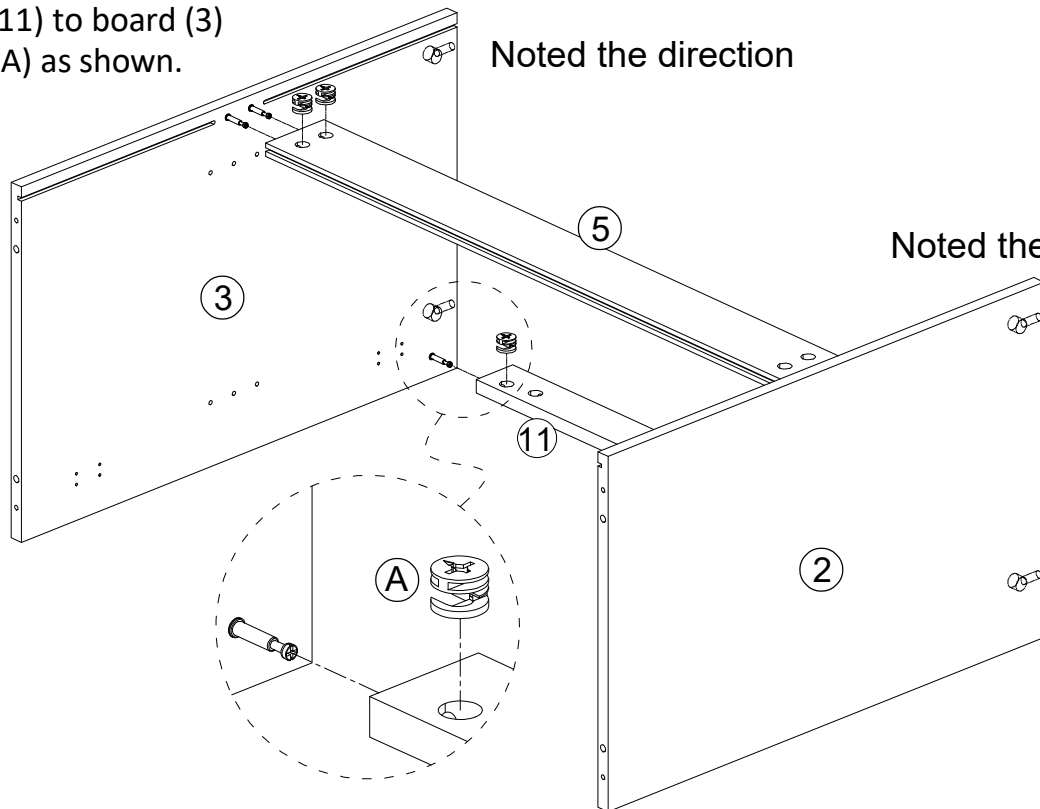
(A) x 3pcs



Connect (5) (11) to board (3) with screws (A) as shown.

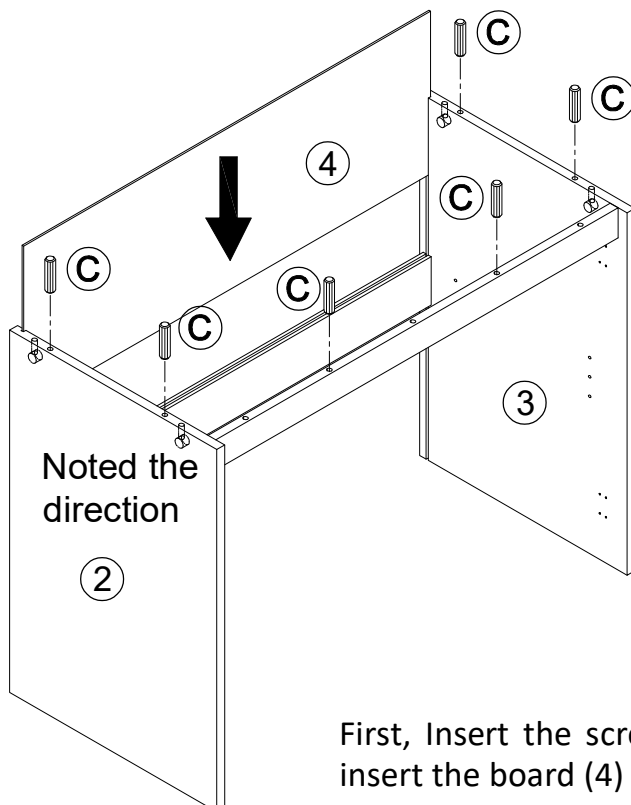
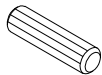
Noted the direction

Noted the direction



6

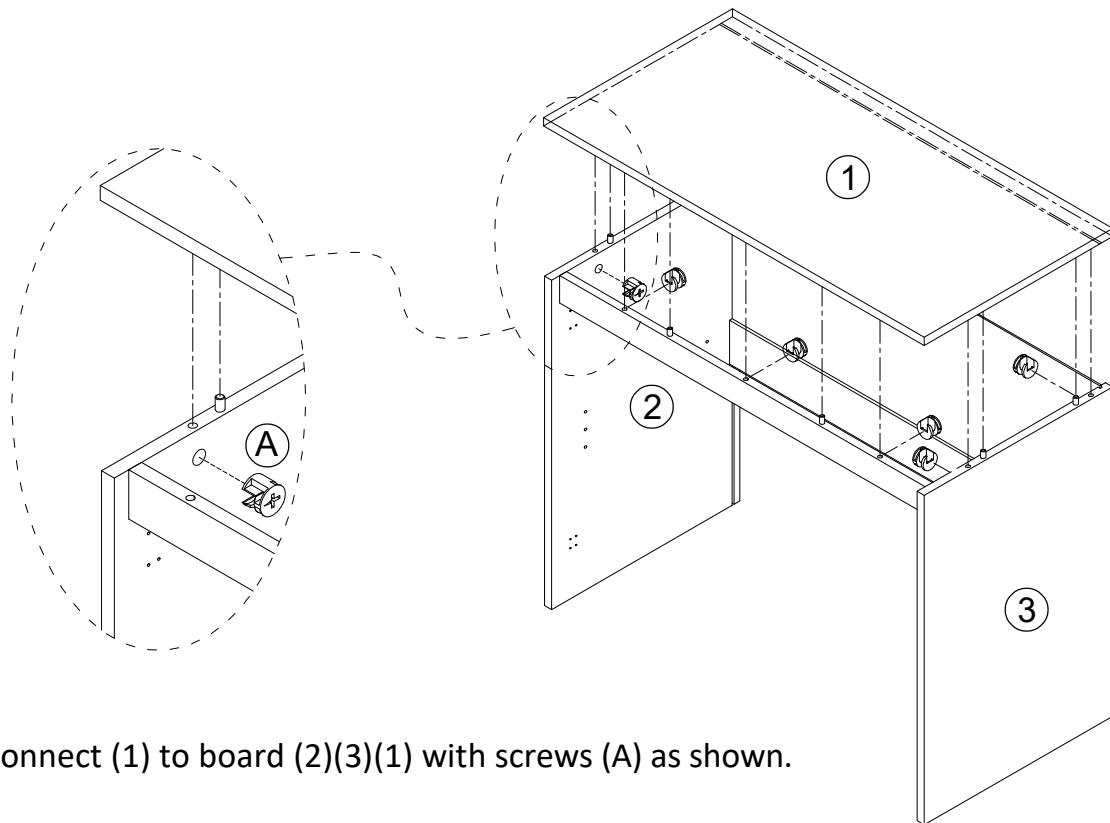
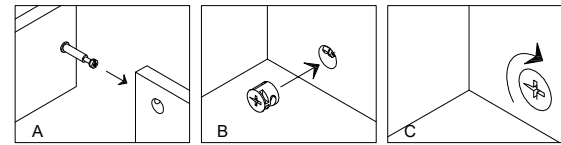
(C) x 6pcs



First, Insert the screw (C) into the board (2)(3)(11), then insert the board (4) into the (2) (3) (5) as shown.

7

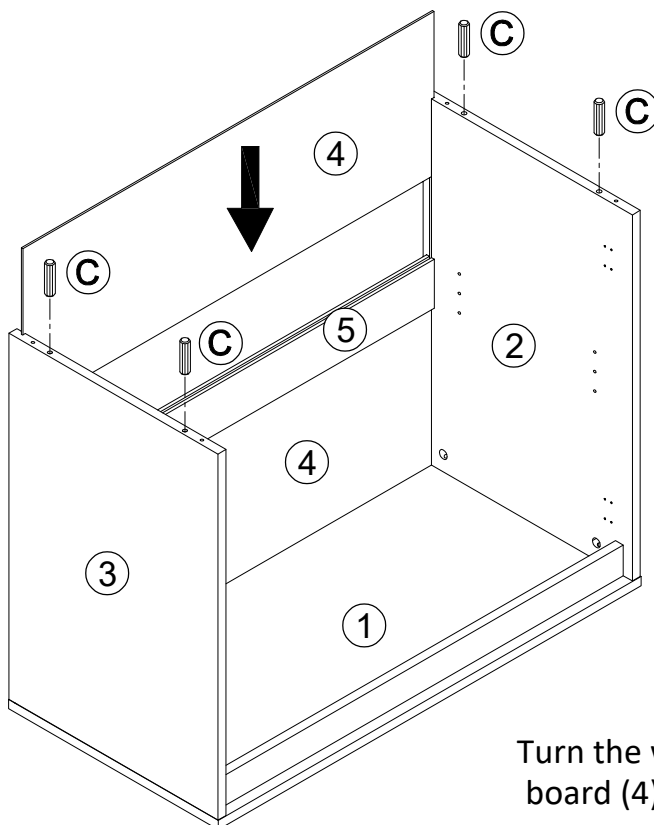
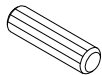
(A) x 7pcs



Connect (1) to board (2)(3)(1) with screws (A) as shown.

8

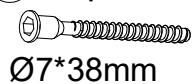
(C) x 4pcs



Turn the whole upside down and insert the other board (4) into the board (2) (3) (5) as shown.

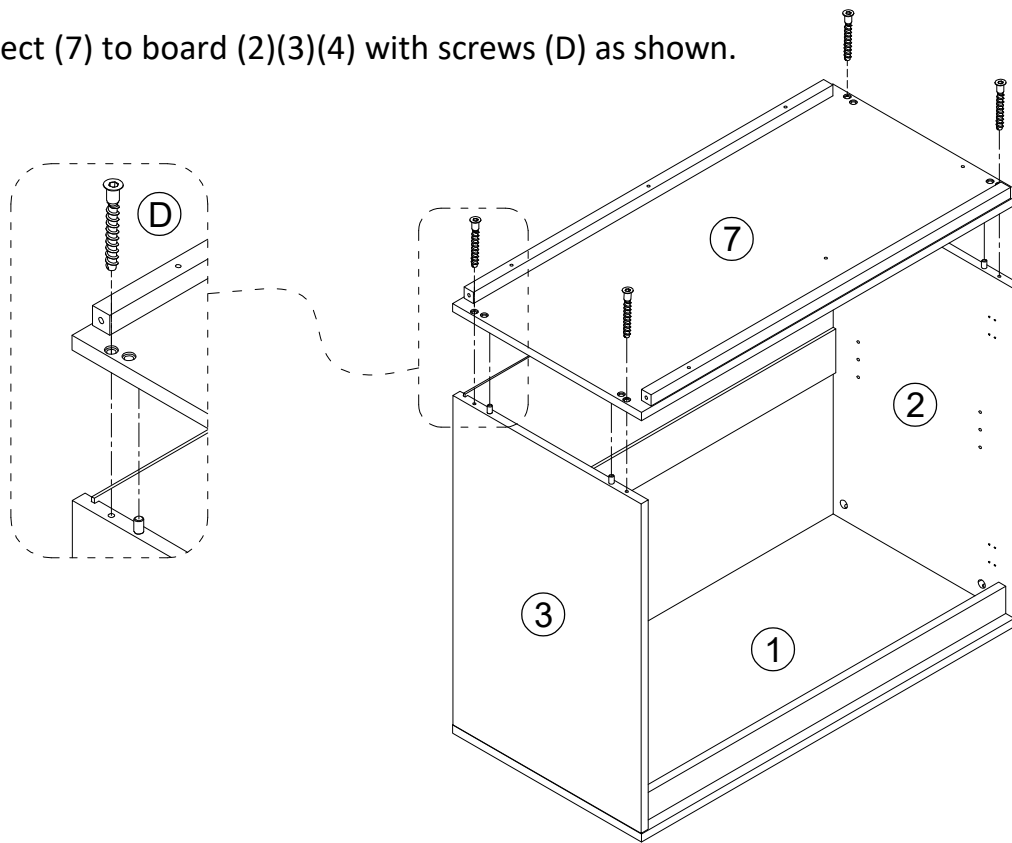
9

ⓓ x 4pcs



Ø7*38mm

Connect (7) to board (2)(3)(4) with screws (D) as shown.



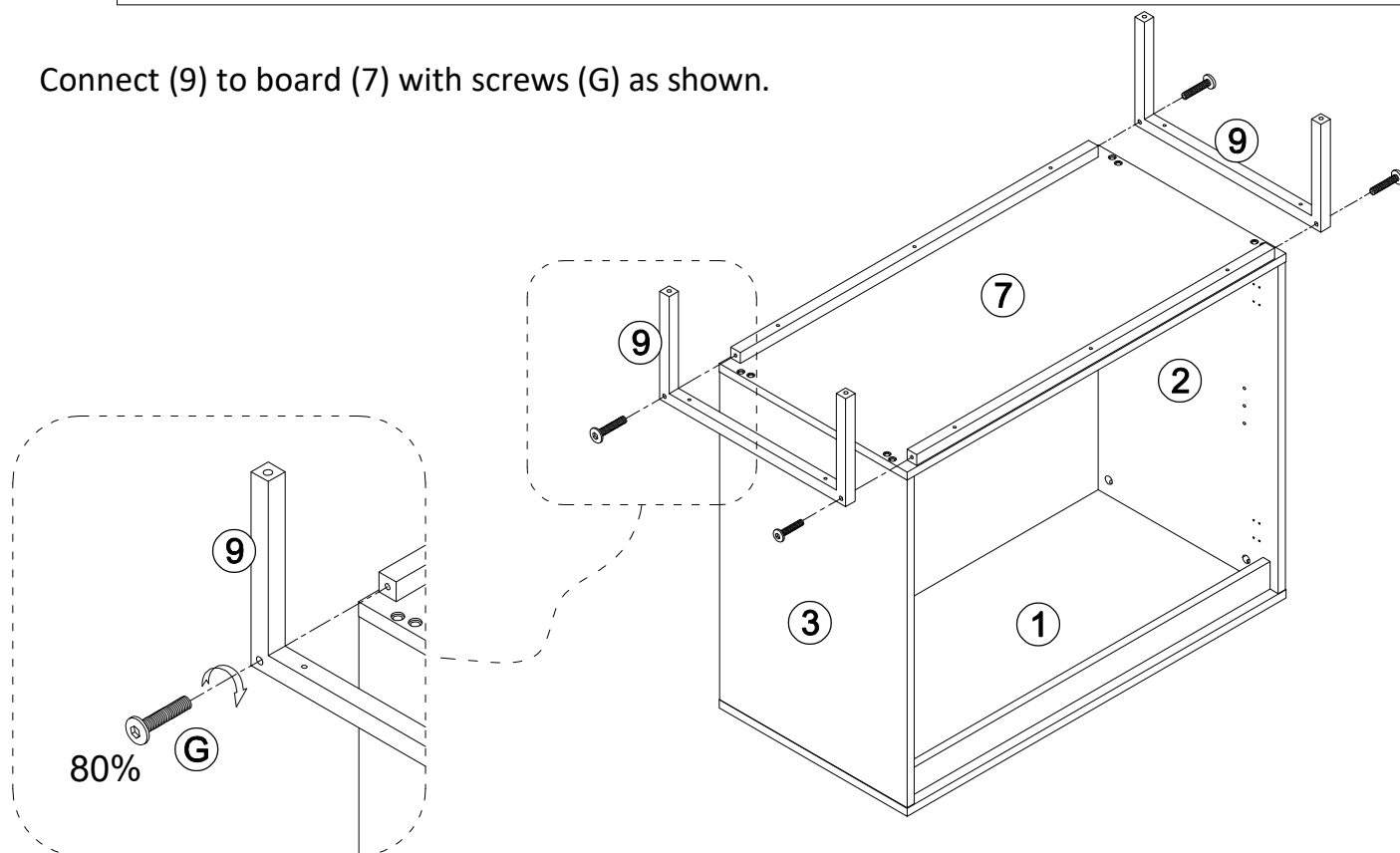
10

ⓖ x 4pcs



M6*50mm

Connect (9) to board (7) with screws (G) as shown.



11

Ⓟ x 4pcs

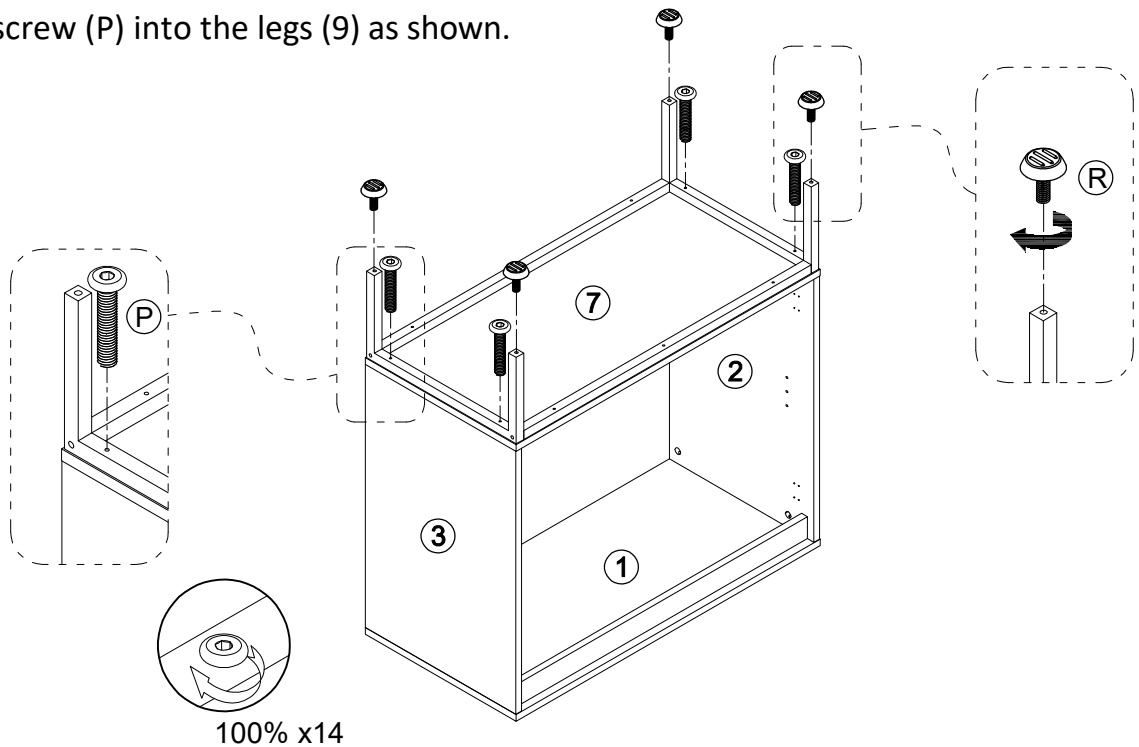


M6*30mm

Ⓡ x 4pcs



Insert the screw (P) into the legs (9) as shown.



12

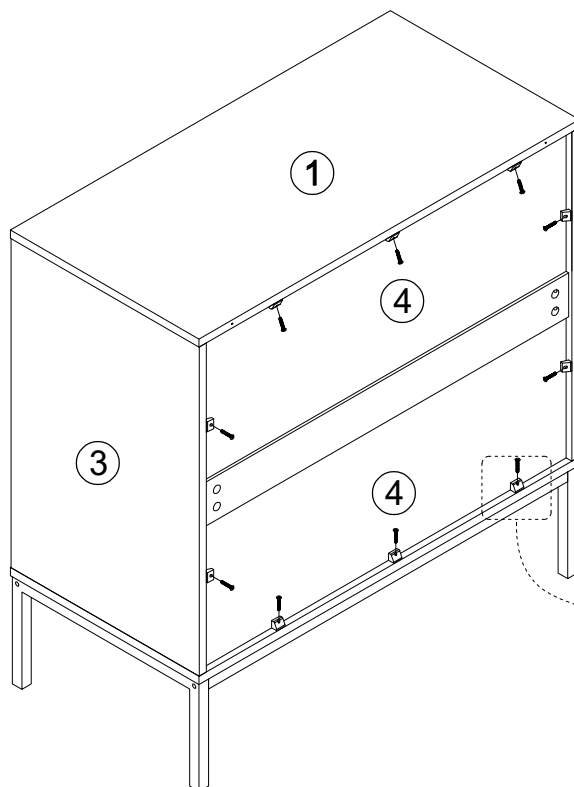
Ⓝ x 10pcs



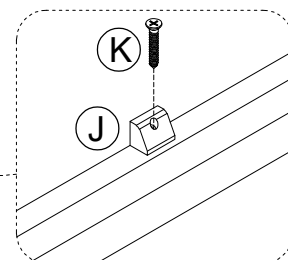
Ⓚ x 10pcs



Ø6*Ø3*16mm



Noted the hardware #J and #K need to assembled, otherwise the table will unstably.



13

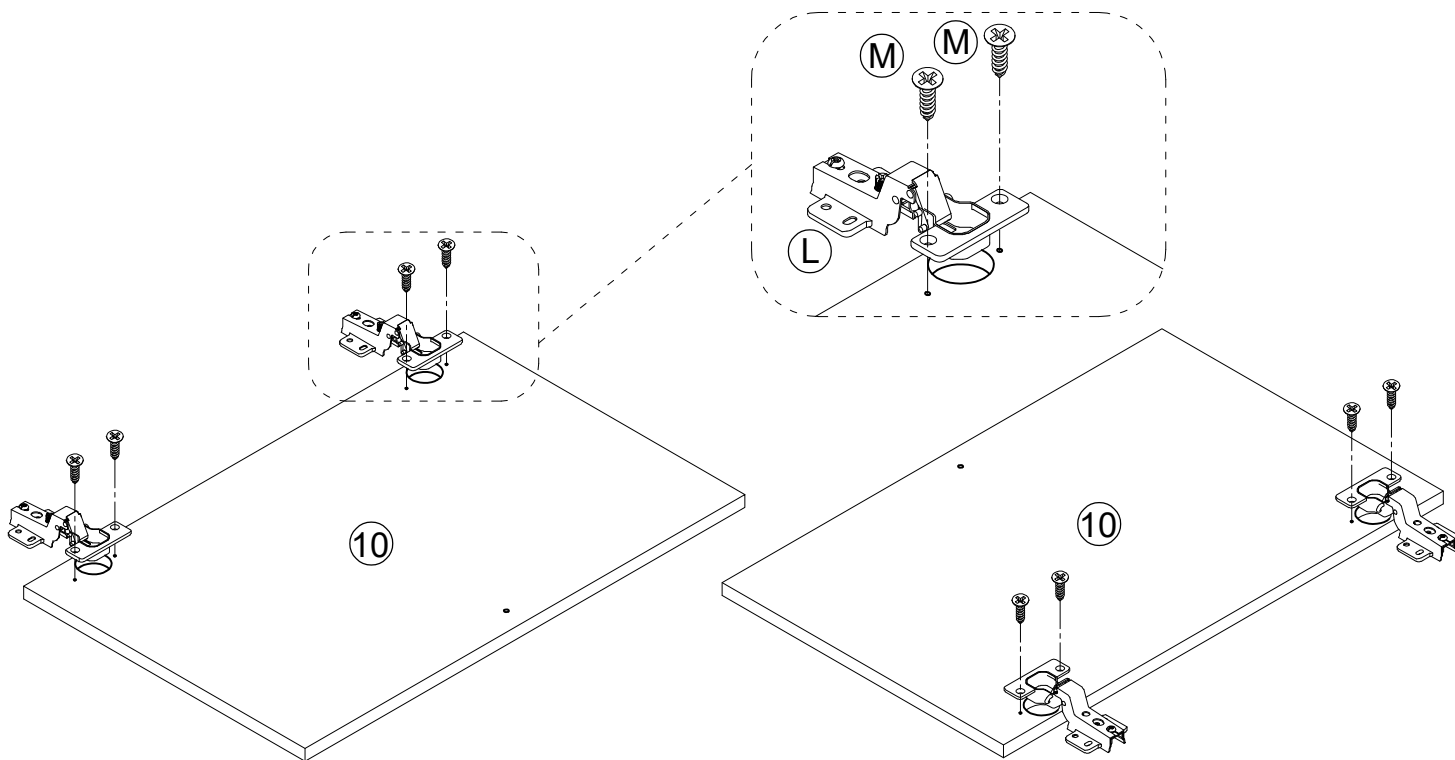
(L) x 4pcs



(M) x 8pcs



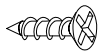
Ø8*Ø4*14mm



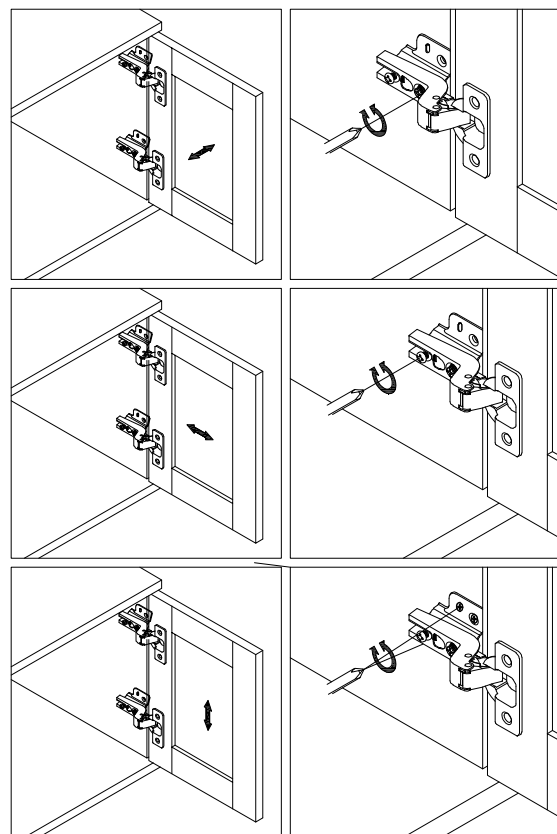
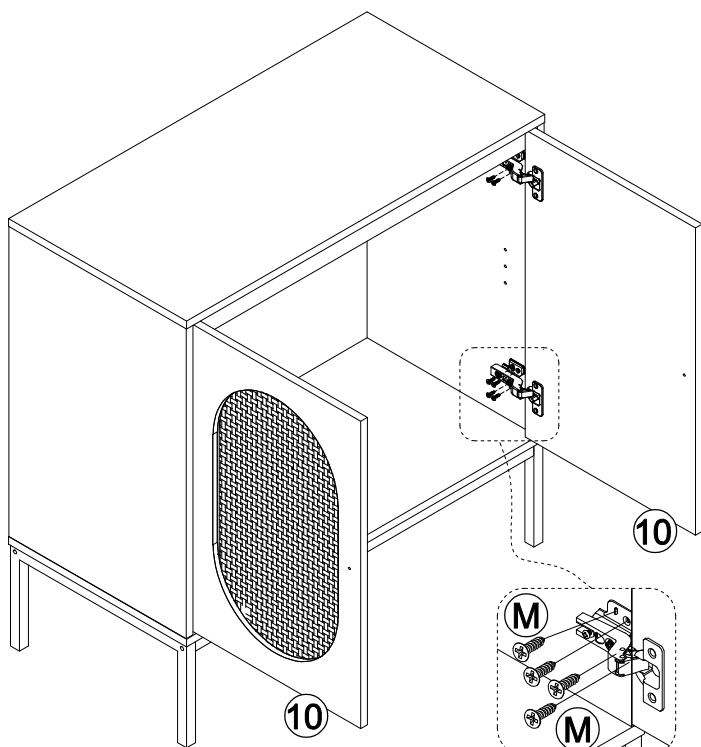
Connect (L) to board (10) with screws (M) as shown.

14

(M) x 16pcs



Ø8*Ø4*14mm



Connect installed (L) to board (10) with screws (M) as shown.

15

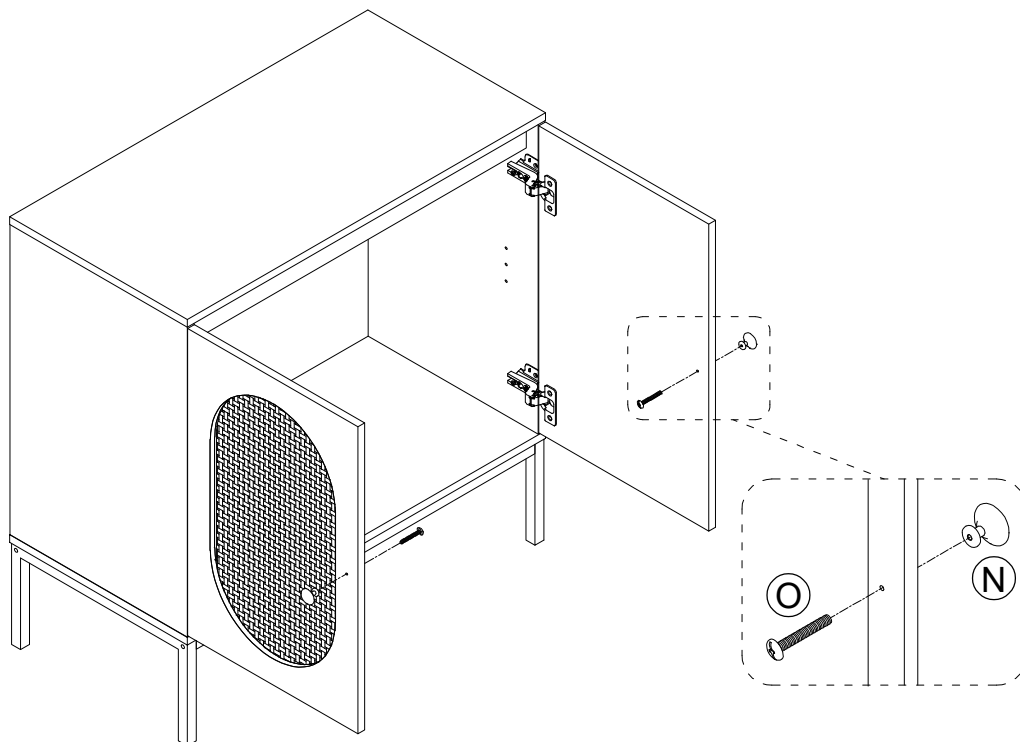
(N) x 2pcs



(O) x 2pcs



20mm

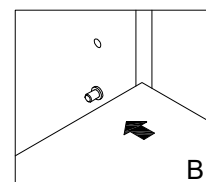
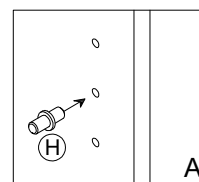
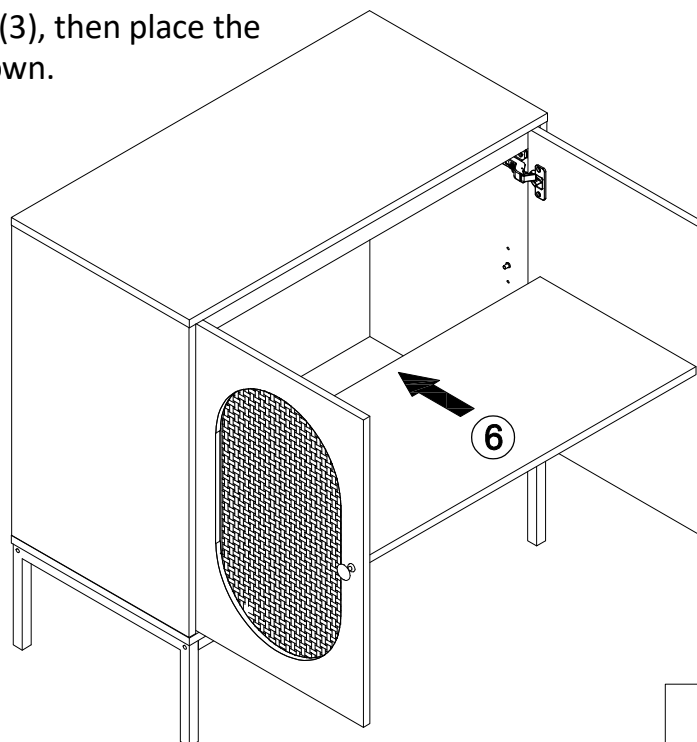


16

(H) x 4pcs

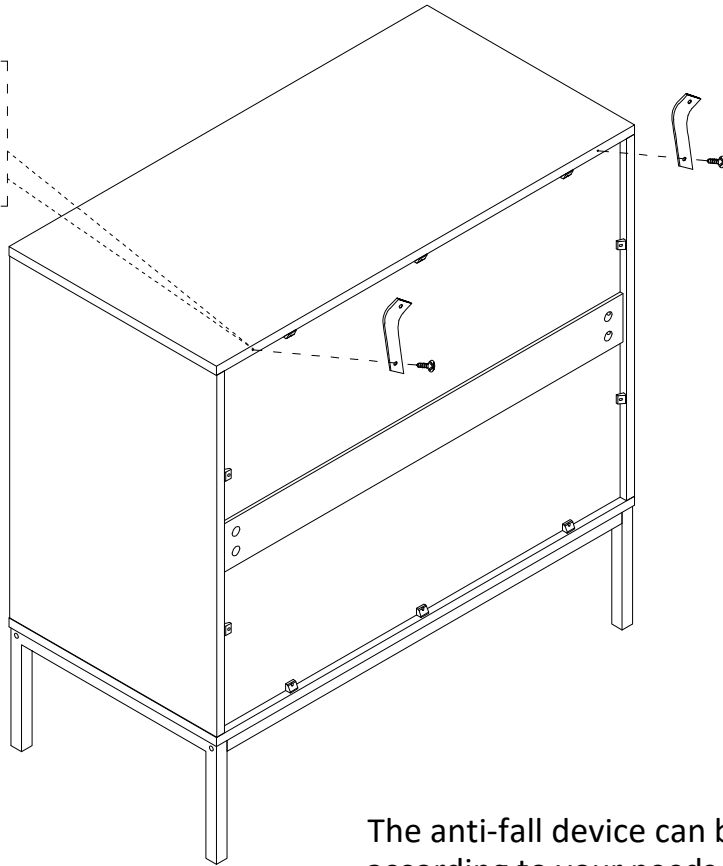
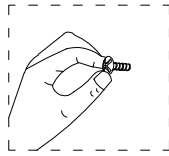
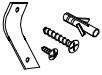


First, install (H) into (2)(3), then place the board (6) on (H) as shown.



17

ⓔ x 2pcs



The anti-fall device can be installed or not according to your needs.

